



LEGEND

Codes indicated with numbers:

11XXX.1

supplied with G 3/8" coupling

11XXX.2

supplied with G 1/2" coupling

11XXX.3

supplied with G 3/4" coupling

1. To require chemical nickel plating add NK to the article's code

EX. 11001.1NK

2. To require ceramics water head valve (1/4 turn) add C to the article's code

EX. 11001.1C

TECHNICAL INFORMATION

Water taps can be supplied with oil bath head valve sealing in EPDM or with 1/4 turn ceramics head valve.

Maximum working pressure 10 Bar.

Nozzle with possibility of disassembly in compliance with DIN 12898 regulation.

Handles in compliance with EN13792:2000 norm, manufactured in acid - resistant PP.

Threads in compliance with ISO228/4 regulation, B tolerance class.

Taps are built following the DIN12918 norm.

FAR can furthermore supply for demineralised water all the series with an internal chemical nickel-plating with a thickness of 17 microns, to have the desired article with this treatment the customer just needs to add to the article the NK abbreviation.

For ultra pure waters FAR manufactures PP and PVDF taps with recirculation.

Maximum working pressure 6 Bar.

Taps finished with acid-resistant epoxy powder painting.

APPLICATION

Wall mounting
Vertical mounting

DETAILS

Waterflow around 13l/min
at 3 Bars pressure
Test pressure: 9 Bars/air
Max working pressure: 10 Bars

SURFACE PROTECTION

Epoxy powder coating
RAL 7035

MATERIALS

Brass
Handle in PP

HEADWORK SEALING

EPDM temperature
working range: 0-70°
CERAMIC temperature
working range: 0-70°

CONNECTION TAP

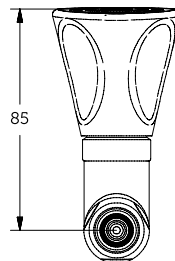
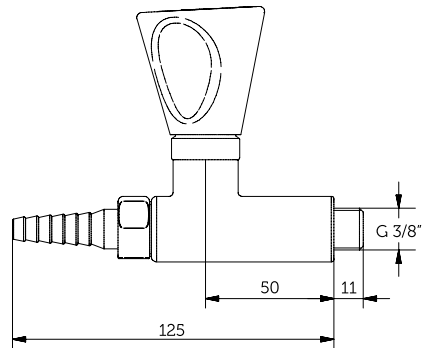
Male thread G3/8"

STANDARD AND NORMS

EN13792:2000
DIN12898
DIN12918
ISO228/1

OPTIONS

Joystick handle 11000.1MDSJ
With ceramic headwork 90°
11000.1MDSC
With chemical nickel
plating 17microns inside
11000.1MDSNK



APPLICATION

Wall mounting
Vertical mounting

DETAILS

Waterflow around 13l/min
at 3 Bars pressure
Test pressure: 9 Bars/air
Max working pressure: 10 Bars

SURFACE PROTECTION

Epoxy powder coating
RAL 7035

MATERIALS

Brass
Handle in PP

HEADWORK SEALING

EPDM temperature
working range: 0-70°
CERAMIC temperature
working range: 0-70°

CONNECTION TAP

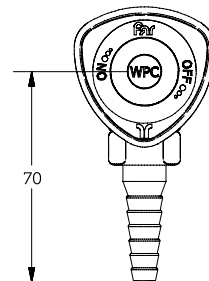
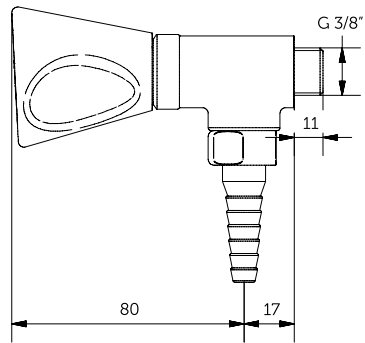
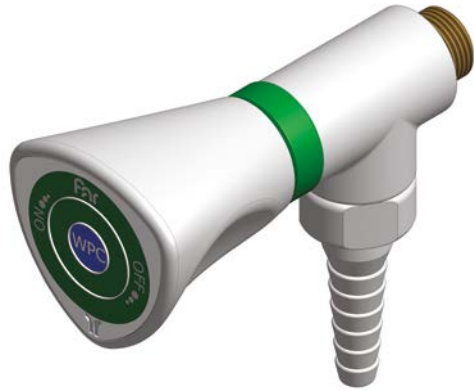
Male thread G3/8"

STANDARD AND NORMS

EN13792:2000
DIN12898
DIN12918
ISO228/1

OPTIONS

Joystick handle 11001.1MDSJ
With ceramic headwork 90°
11001.1MDSC
With chemical nickel
plating 17 microns inside
11001.1MDSNK



APPLICATION

Wall mounting
Vertical mounting

DETAILS

Waterflow around 13l/min
at 3 Bars pressure
Test pressure: 9 Bars/air
Max working pressure: 10 Bars

SURFACE PROTECTION

Epoxy powder coating
RAL 7035

MATERIALS

Brass
Handle in PP

HEADWORK SEALING

EPDM temperature
working range: 0-70°
CERAMIC temperature
working range: 0-70°

CONNECTION TAP

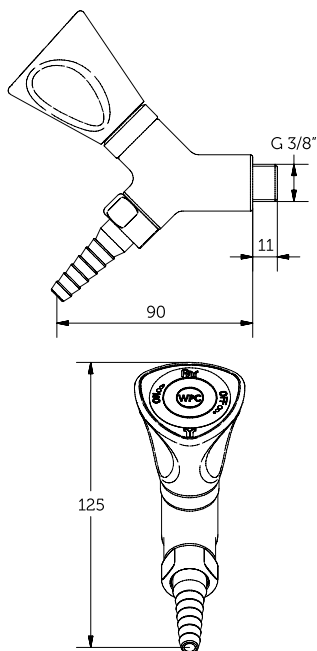
Male thread G3/8"

STANDARD AND NORMS

EN13792:2000
DIN12898
DIN12918
ISO228/1

OPTIONS

Joystick handle 11003.1MDSJ
With ceramic headwork 90°
11003.1MDSC
With chemical nickel
plating 17 microns inside
11003.1MDSNK



APPLICATION

Wall mounting
Vertical mounting

DETAILS

Waterflow around 13l/min
at 3 Bars pressure
Test pressure: 9 Bars/air
Max working pressure: 10 Bars

SURFACE PROTECTION

Epoxy powder coating
RAL 7035

MATERIALS

Brass
Handle in PP

HEADWORK SEALING

EPDM temperature
working range: 0-70°
CERAMIC temperature
working range: 0-70°

CONNECTION TAP

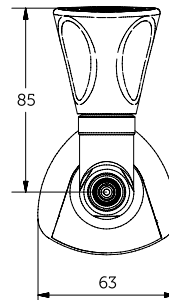
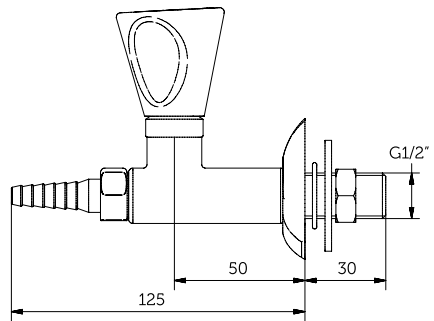
Male thread G1/2"

STANDARD AND NORMS

EN13792:2000
DIN12898
DIN12918
ISO228/1

OPTIONS

Joystick handle 11010.2MDSJ
With ceramic headwork 90°
11010.2MDSC
With chemical nickel
plating 17 microns inside
11010.2MDSN



APPLICATION

Wall mounting
Vertical mounting

DETAILS

Waterflow around 13l/min
at 3 Bars pressure
Test pressure: 9 Bars/air
Max working pressure: 10 Bars

SURFACE PROTECTION

Epoxy powder coating
RAL 7035

MATERIALS

Brass
Handle in PP

HEADWORK SEALING

EPDM temperature
working range: 0-70°
CERAMIC temperature
working range: 0-70°

CONNECTION TAP

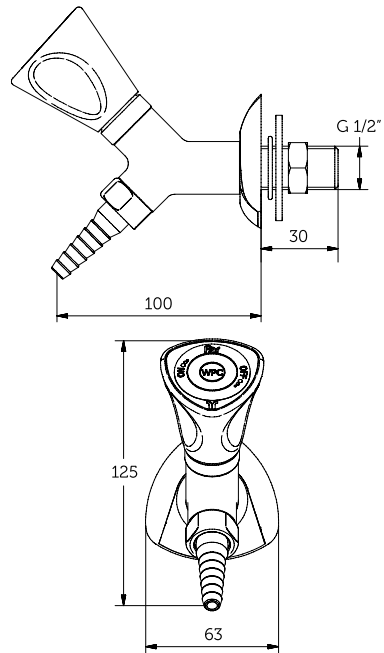
Male thread G1/2"

STANDARD AND NORMS

EN13792:2000
DIN12898
DIN12918
ISO228/1

OPTIONS

Joystick handle 11011.2MDSJ
With ceramic headwork 90°
11011.2MDSC
With chemical nickel
plating 17 microns inside
11011.2MDSNK



WARRANTY 2 YEARS

APPLICATION

Wall mounting
Vertical mounting

DETAILS

Waterflow around 13l/min
at 3 Bars pressure
Test pressure: 9 Bars/air
Max working pressure: 10 Bars

SURFACE PROTECTION

Epoxy powder coating
RAL 7035

MATERIALS

Brass
Handle in PP

HEADWORK SEALING

EPDM temperature
working range: 0-70°
CERAMIC temperature
working range: 0-70°

CONNECTION TAP

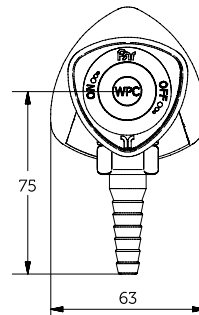
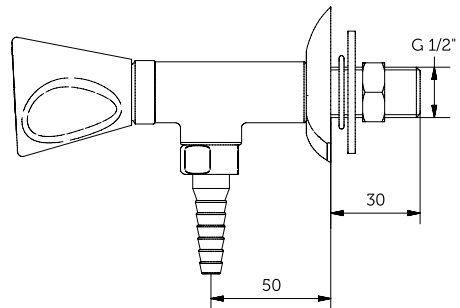
Male thread G1/2"

STANDARD AND NORMS

EN13792:2000
DIN12898
DIN12918
ISO228/1

OPTIONS

Joystick handle 11012.2MDSJ
With ceramic headwork
90° 11012.2MDSC
With chemical nickel
plating 17 microns inside
11012.2MDSNK



APPLICATION

Wall mounting

DETAILS

Waterflow around 26l/min
at 3 Bars pressure

Test pressure: 9 Bars/air

Max working pressure:
10 Bars

SURFACE PROTECTION

Epoxy powder coating
RAL 7035

MATERIALS

Brass

Handle in PP

HEADWORK SEALING

EPDM temperature
working range: 0-70°

CERAMIC temperature
working range: 0-70°

CONNECTION TAP

Male thread G1/2"

STANDARD AND NORMS

EN13792:2000

DIN12898

DIN12918

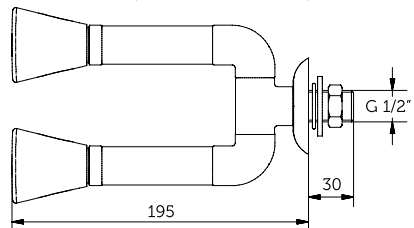
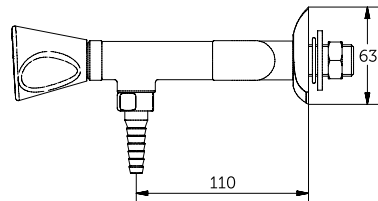
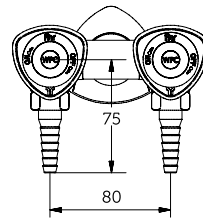
ISO228/1

OPTIONS

Joystick handle 11014.2MDSJ

With ceramic headwork 90°
11014.2MDSC

With chemical nickel
plating 17 microns inside
11014.2MDSNK



WARRANTY 2 YEARS

APPLICATION

Wall mounting
Vertical mounting

DETAILS

Waterflow around 26l/min
at 3 Bars pressure
Test pressure: 9 Bars/air
Max working pressure: 10 Bars

SURFACE PROTECTION

Epoxy powder coating
RAL 7035

MATERIALS

Brass
Handle in PP

HEADWORK SEALING

EPDM temperature
working range: 0-70°
CERAMIC temperature
working range: 0-70°

CONNECTION TAP

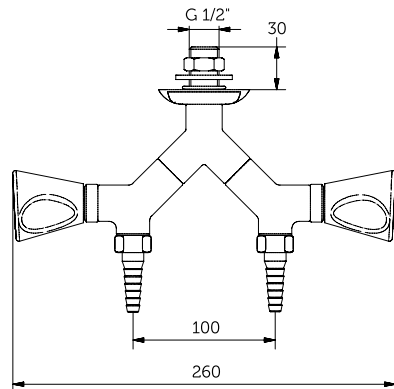
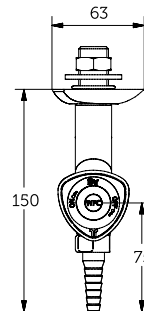
Male thread G1/2"

STANDARD AND NORMS

EN13792:2000
DIN12898
DIN12918
ISO228/1

OPTIONS

Joystick handle 11023.2MDSJ
With ceramic headwork
90° 11023.2MDSC
With chemical nickel
plating 17 microns inside
11023.2MDSNK



APPLICATION

Wall mounting

DETAILS

Waterflow around 17l/min
at 3 Bars pressure

Test pressure: 9 Bars/air

Max working pressure: 10 Bars

SURFACE PROTECTION

Epoxy powder coating
RAL 7035

MATERIALS

Brass

Handle in PP

HEADWORK SEALING

EPDM temperature
working range: 0-70°

CERAMIC temperature
working range: 0-70°

CONNECTION TAP

Male thread G1/2"

STANDARD AND NORMS

EN13792:2000

DIN12898

DIN12918

ISO228/1

OPTIONS

Joystick handle 11030.2MDSJ

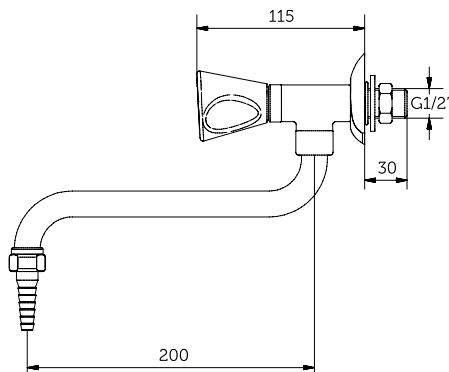
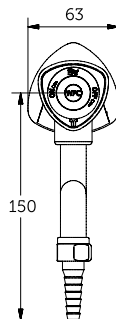
Ceramic headwork 90°
11030.2MDSC

With chemical nickel
plating 17 microns inside
11030.2MDSNK

Spout:

200 - 250

300 - 350 mm



WARRANTY 2 YEARS

APPLICATION

Wall mounting

DETAILS

Waterflow around 17l/min
at 3 Bars pressure

Test pressure: 9 Bars/air

Max working pressure: 10 Bars

SURFACE PROTECTION

Epoxy powder coating
RAL 7035

MATERIALS

Brass

Handle in PP

HEADWORK SEALING

EPDM temperature
working range: 0-70°

CERAMIC temperature
working range: 0-70°

CONNECTION TAP

Male thread G1/2"

STANDARD AND NORMS

EN13792:2000

DIN12898

DIN12918

ISO228/1

OPTIONS

Joystick handle 11031.2MDSJ

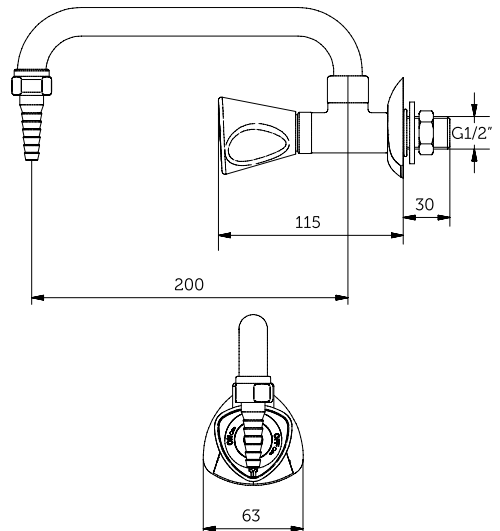
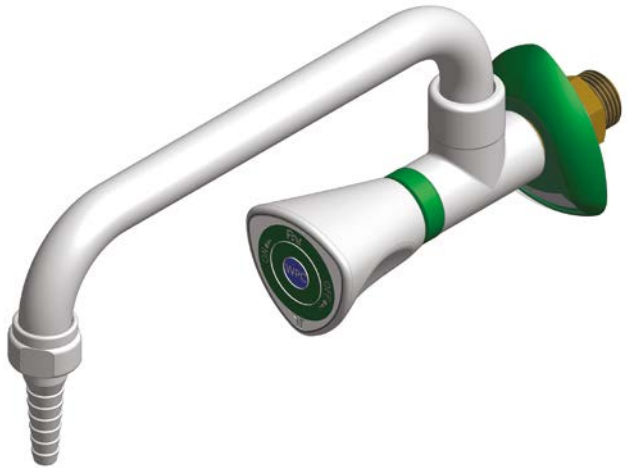
Ceramic headwork 90°
11031.2MDSC

With chemical nickel
plating 17 microns inside
11031.2MDSNK

Spout:

150 - 200 - 250

300 - 350 mm



WARRANTY 2 YEARS

APPLICATION

Wall mounting

DETAILS

Waterflow around 34l/min
at 3 Bars pressure

Test pressure: 9 Bars/air

Max working pressure:
10 Bars

SURFACE PROTECTION

Epoxy powder coating
RAL 7035

MATERIALS

Brass

Handle in PP

HEADWORK SEALING

EPDM temperature
working range: 0-70°

CERAMIC temperature
working range: 0-70°

CONNECTION TAP

Male thread G1/2"

STANDARD AND NORMS

EN13792:2000

DIN12898

DIN12918

ISO228/1

OPTIONS

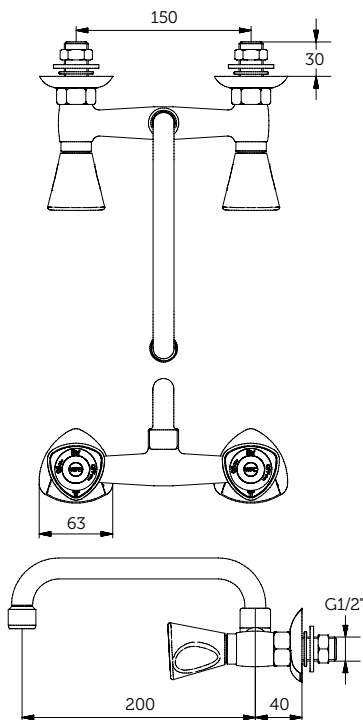
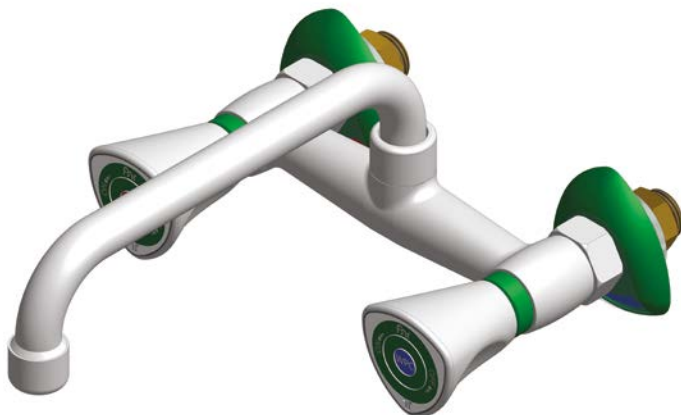
Joystick handle
11036.2MDSJ

Ceramic headwork 90°
11036.2MDSC

With chemical nickel
plating 17 microns inside
11036.2MDSNK

Spout:

150 - 200 - 250
300 - 350 mm



WARRANTY 2 YEARS

APPLICATION

Wall mounting

DETAILS

Waterflow around 34l/min
at 3 Bars pressure

Test pressure: 9 Bars/air

Max working pressure: 10 Bars

SURFACE PROTECTION

Epoxy powder coating
RAL 7035

MATERIALS

Brass

Handle in PP

HEADWORK SEALING

EPDM temperature
working range: 0-70°

CERAMIC temperature
working range: 0-70°

CONNECTION TAP

Male thread G1/2"

STANDARD AND NORMS

EN13792:2000

DIN12898

DIN12918

ISO228/1

OPTIONS

Joystick handle 11037.2MDSJ

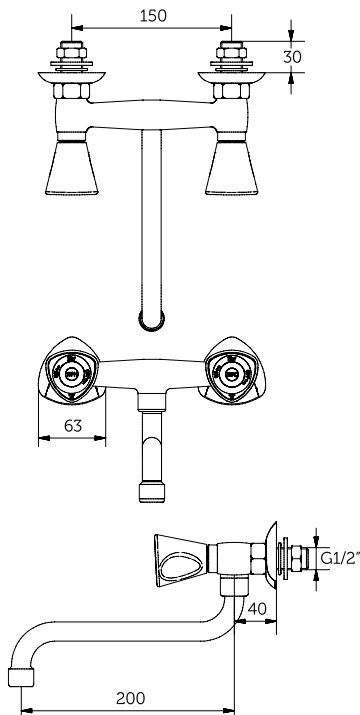
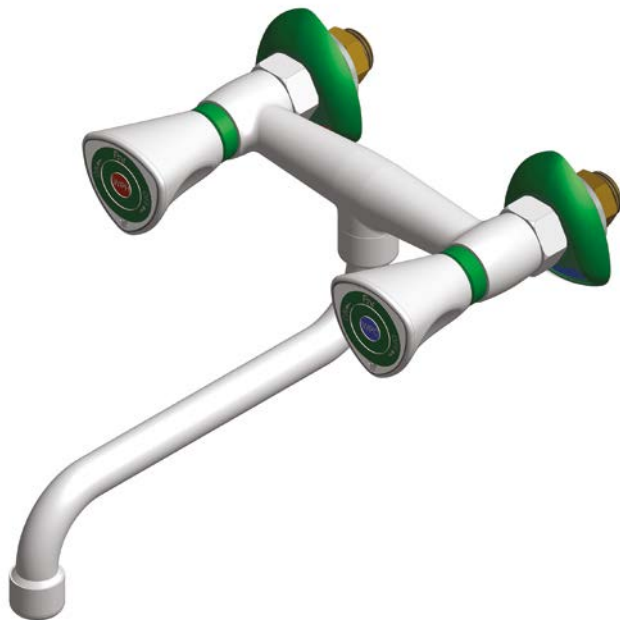
Ceramic headwork 90°
11037.2MDSC

With chemical nickel
plating 17 microns inside
11037.2MDSNK

Spout:

200 - 250

300 - 350 mm



APPLICATION

Wall mounting

DETAILS

Waterflow around 17l/min
at 3 Bars pressure

Test pressure: 9 Bars/air

Max working pressure:
10 Bars

SURFACE PROTECTION

Epoxy powder coating
RAL 7035

MATERIALS

Brass

HEADWORK SEALING

CERAMIC kartridge
temperature working
range: 0-70°

CONNECTION TAP

Male thread G1/2" with "S"
coupling 130 - 190 mm

STANDARD AND NORMS

EN13792:2000

DIN12898

DIN12918

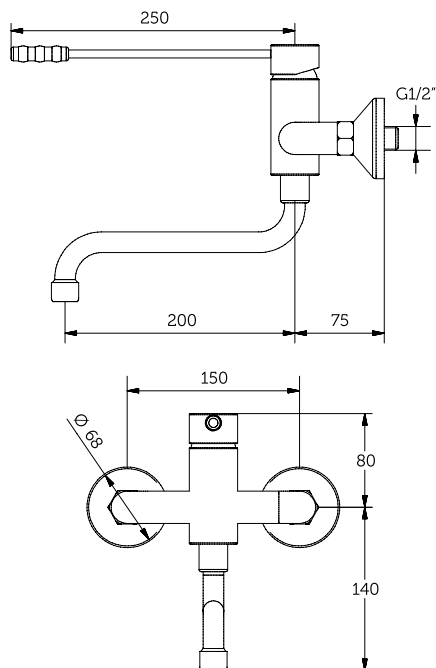
ISO228/1

OPTIONS

Spout:

200 - 250

300 - 350 mm



APPLICATION

Wall mounting

DETAILS

Waterflow around 17l/min
at 3 Bars pressure

Test pressure: 9 Bars/air

Max working pressure:
10 Bars

SURFACE PROTECTION

Epoxy powder coating
RAL 7035

MATERIALS

Brass

HEADWORK SEALING

CERAMIC kartridge
temperature working
range: 0-70°

CONNECTION TAP

Male thread G1/2"

STANDARD AND NORMS

EN13792:2000

DIN12898

DIN12918

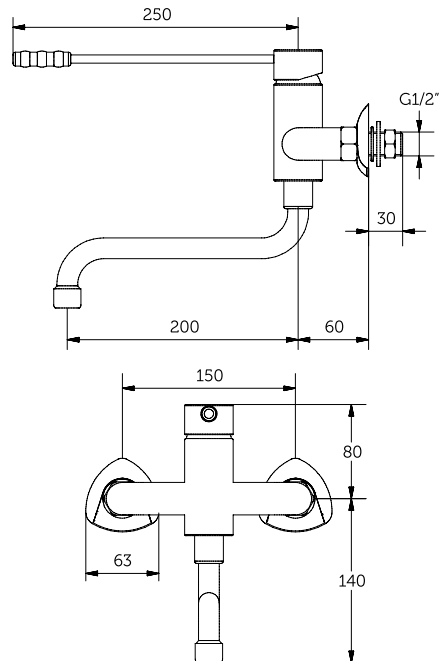
ISO228/1

OPTIONS

Spout:

200 - 250

300 - 350 mm



APPLICATION

Wall mounting

DETAILS

Waterflow around 17l/min
at 3 Bars pressure

Test pressure: 9 Bars/air

Max working pressure:
10 Bars

SURFACE PROTECTION

Epoxy powder coating
RAL 7035

MATERIALS

Brass

HEADWORK SEALING

CERAMIC kartridge
temperature working
range: 0-70°

CONNECTION TAP

Flex. female nut F3/8"

STANDARD AND NORMS

EN13792:2000

DIN12898

DIN12918

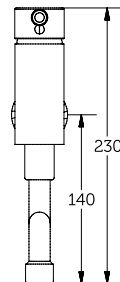
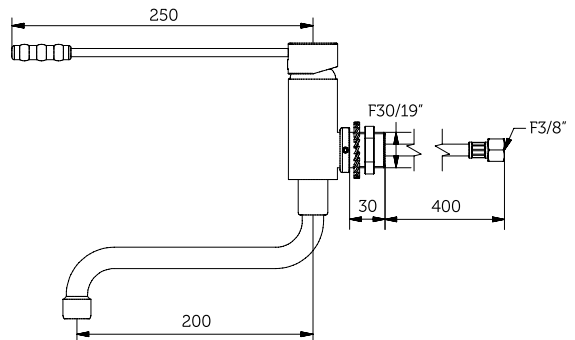
ISO228/1

OPTIONS

Spout:

200 - 250

300 - 350 mm



WARRANTY 2 YEARS

APPLICATION

Bench mounting

DETAILS

Waterflow around 13l/min
at 3 Bars pressure

Test pressure: 9 Bars/air

Max working pressure:
10 Bars

SURFACE PROTECTION

Epoxy powder coating
RAL 7035

MATERIALS

Brass

Handle in PP

HEADWORK SEALING

EPDM temperature
working range: 0-70°

CERAMIC temperature
working range: 0-70°

CONNECTION TAP

Male thread G1/2"

STANDARD AND NORMS

EN13792:2000

DIN12898

DIN12918

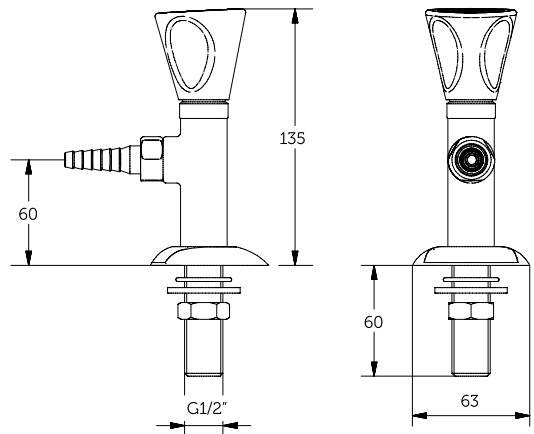
ISO228/1

OPTIONS

Joystick handle 11060.2MDSJ

Ceramic headwork 90°
11060.2MDSC

With chemical nickel
plating 17 microns inside
11060.2MDSNK



APPLICATION

Bench mounting

DETAILS

Waterflow around 26l/min
at 3 Bars pressure

Test pressure: 9 Bars/air

Max working pressure:
10 Bars

SURFACE PROTECTION

Epoxy powder coating
RAL 7035

MATERIALS

Brass

Handle in PP

HEADWORK SEALING

EPDM temperature
working range: 0-70°

CERAMIC temperature
working range: 0-70°

CONNECTION TAP

Male thread G1/2"

STANDARD AND NORMS

EN13792:2000

DIN12898

DIN12918

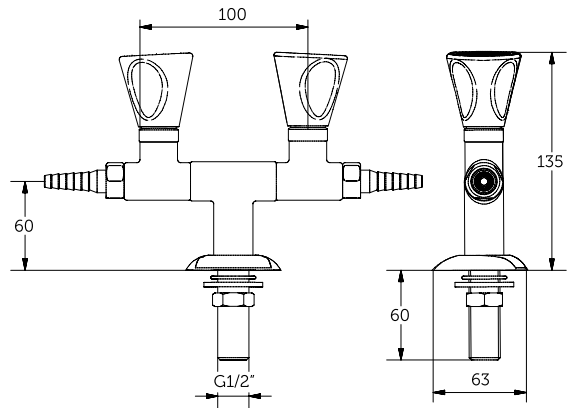
ISO228/1

OPTIONS

Joystick handle 11061.2MDSJ

Ceramic headwork 90°
11061.2MDSC

With chemical nickel
plating 17 microns inside
11061.2MDSNK



WARRANTY 2 YEARS

APPLICATION

Bench mounting

DETAILS

Waterflow around 17l/min
at 3 Bars pressure

Test pressure: 9 Bars/air

Max working pressure: 10 Bars

SURFACE PROTECTION

Epoxy powder coating
RAL 7035

MATERIALS

Brass

Handle in PP

HEADWORK SEALING

EPDM temperature
working range: 0-70°

CERAMIC temperature
working range: 0-70°

CONNECTION TAP

Male thread G1/2"

STANDARD AND NORMS

EN13792:2000

DIN12898

DIN12918

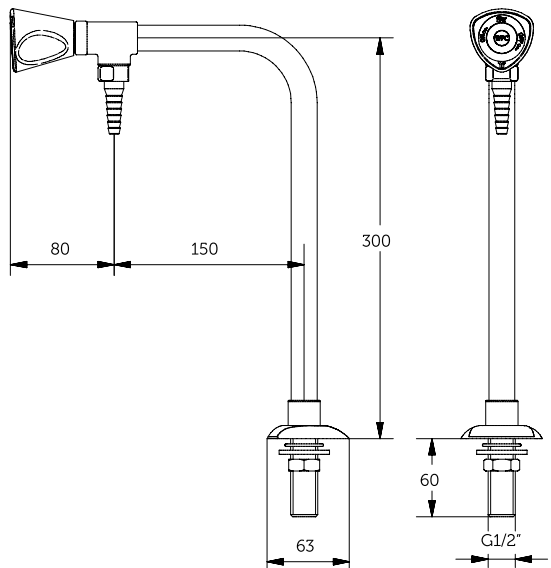
ISO228/1

OPTIONS

With Joystick handle
11062.2MDSJ

With ceramic 90° headwork
11062.2MDSC

With chemical nickel
plating 17 microms inside
11062.2MDSNK



WARRANTY 2 YEARS

APPLICATION

Bench mounting

DETAILS

Waterflow around 34l/min
at 3 Bars pressure

Test pressure: 9 Bars/air

Max working pressure:
10 Bars

SURFACE PROTECTION

Epoxy powder coating
RAL 7035

MATERIALS

Brass

Handle in PP

HEADWORK SEALING

EPDM temperature
working range: 0-70°

CERAMIC temperature
working range: 0-70°

CONNECTION TAP

Male thread G1/2"

STANDARD AND NORMS

EN13792:2000

DIN12898

DIN12918

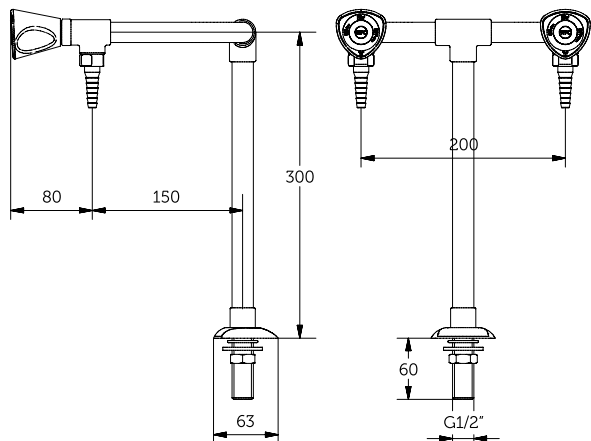
ISO228/1

OPTIONS

With Joystick handle
11066.2MDSJ

With ceramic 90° headwork
11066.2MDSK

With chemical nickel
plating 17 microms inside
11066.2MDSNK



WARRANTY 2 YEARS

APPLICATION

Bench mounting

DETAILS

Waterflow around 39l/min
at 3 Bars pressure

Test pressure: 9 Bars/air

Max working pressure:
10 Bars

SURFACE PROTECTION

Epoxy powder coating
RAL 7035

MATERIALS

Brass

Handle in PP

HEADWORK SEALING

EPDM temperature
working range: 0-70°

CERAMIC temperature
working range: 0-70°

CONNECTION TAP

Male thread G1/2"

STANDARD AND NORMS

EN13792:2000

DIN12898

DIN12918

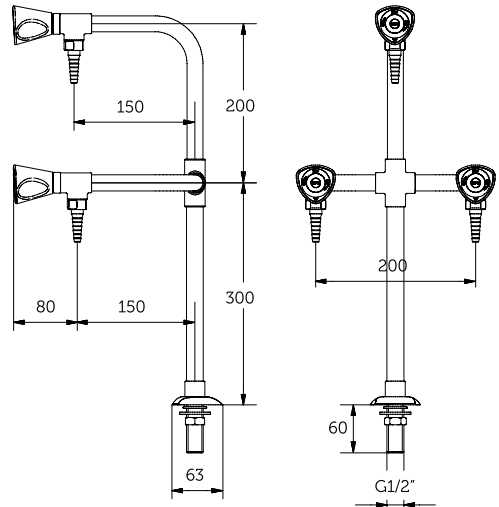
ISO228/1

OPTIONS

With Joystick handle
11068.2MDSJ

With ceramic 90°
headwork 11068.2MDSC

With chemical nickel
plating 17 microms inside
11068.2MDSNK



WARRANTY 2 YEARS

APPLICATION

Bench mounting

DETAILS

Waterflow around 39l/min
at 3 Bars pressure

Test pressure: 9 Bars/air

Max working pressure: 10 Bars

SURFACE PROTECTION

Epoxy powder coating
RAL 7035

MATERIALS

Brass

Handle in PP

HEADWORK SEALING

EPDM temperature
working range: 0-70°

CERAMIC temperature
working range: 0-70°

CONNECTION TAP

Male thread G1/2"

STANDARD AND NORMS

EN13792:2000

DIN12898

DIN12918

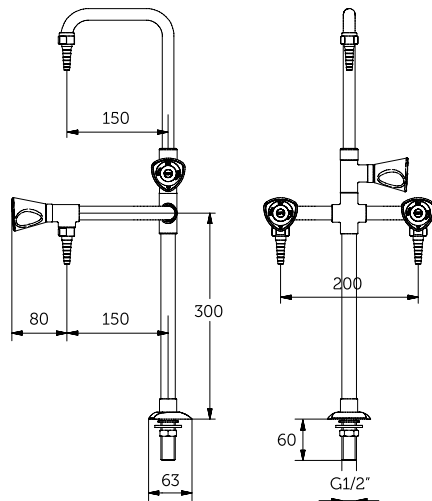
ISO228/1

OPTIONS

With Joystick handle
11069.2MDSJ

With ceramic 90° headwork
11069.2MDSC

With chemical nickel
plating 17 microms inside
11069.2MDSNK



WARRANTY 2 YEARS

APPLICATION

Bench mounting

DETAILS

Waterflow around 17l/min
at 3 Bars pressure

Test pressure: 9 Bars/air

Max working pressure: 10 Bars

SURFACE PROTECTION

Epoxy powder coating
RAL 7035

MATERIALS

Brass

Handle in PP

HEADWORK SEALING

EPDM temperature
working range: 0-70°

CERAMIC temperature
working range: 0-70°

CONNECTION TAP

Male thread G1/2"

STANDARD AND NORMS

EN13792:2000

DIN12898

DIN12918

ISO228/1

OPTIONS

Joystick handle 11070.2MDSJ

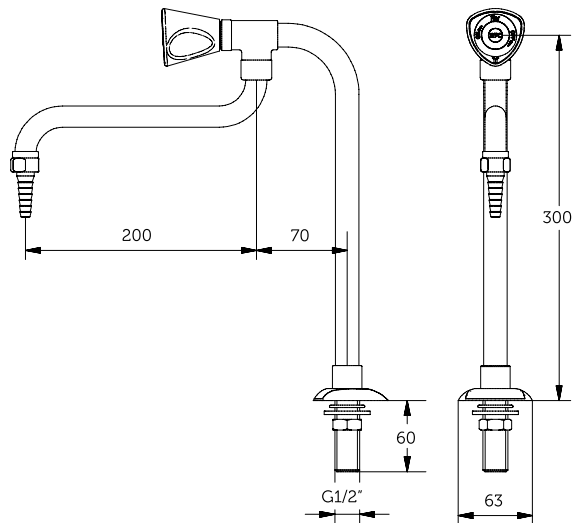
Ceramic headwork 90°
11070.2MDSC

With chemical nickel
plating 17 microns inside
11070.2MDSNK

Spout:

200 - 250

300 - 350 mm



WARRANTY 2 YEARS

APPLICATION

Bench mounting

DETAILS

Waterflow around 17l/min
at 3 Bars pressure

Test pressure: 9 Bars/air

Max working pressure: 10 Bars

SURFACE PROTECTION

Epoxy powder coating
RAL 7035

MATERIALS

Brass

Handle in PP

HEADWORK SEALING

EPDM temperature
working range: 0-70°

CERAMIC temperature
working range: 0-70°

CONNECTION TAP

Male thread G1/2"

STANDARD AND NORMS

EN13792:2000

DIN12898

DIN12918

ISO228/1

OPTIONS

Joystick handle 11071.2MDSJ

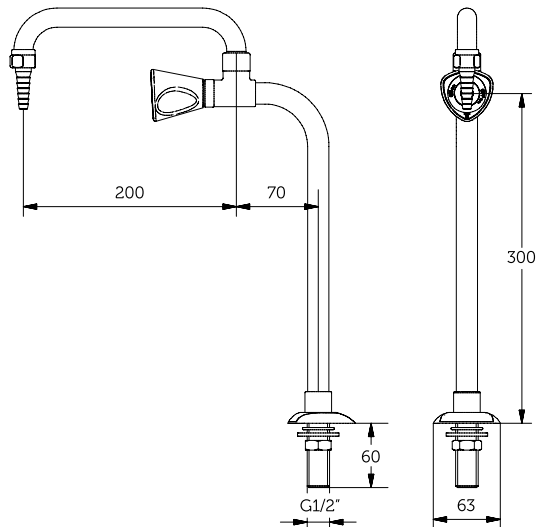
Ceramic headwork 90°
11071.2MDSC

With chemical nickel
plating 17 microns inside
11071.2MDSNK

Spout:

150 - 200 - 250

300 - 350 mm



WARRANTY 2 YEARS

APPLICATION

Bench mounting

DETAILS

Waterflow around 30l/min
at 3 Bars pressure

Test pressure: 9 Bars/air

Max working pressure: 10 Bars

SURFACE PROTECTION

Epoxy powder coating
RAL 7035

MATERIALS

Brass

Handle in PP

HEADWORK SEALING

CERAMIC temperature
working range: 0-70°

CONNECTION TAP

Male thread G1/2"

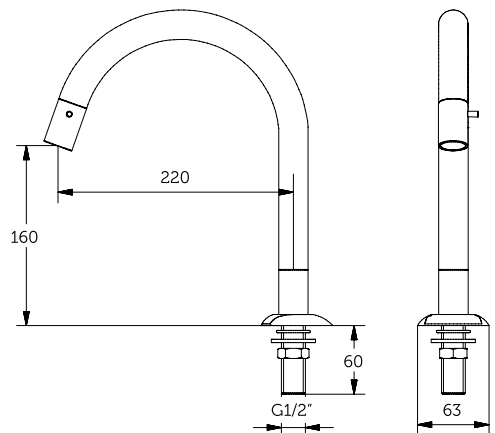
STANDARD AND NORMS

EN13792:2000

DIN12898

DIN12918

ISO228/1



WARRANTY 2 YEARS

APPLICATION

Bench mounting

DETAILS

Waterflow around 30l/mi
at 3 Bars pressure

Test pressure: 9 Bars/air

Max working pressure: 10 Bars

SURFACE PROTECTION

Epoxy powder coating
RAL 7035

MATERIALS

Brass

Handle in PP

HEADWORK SEALING

CERAMIC temperature
working range: 0-70°

CONNECTION TAP

Male thread G1/2"

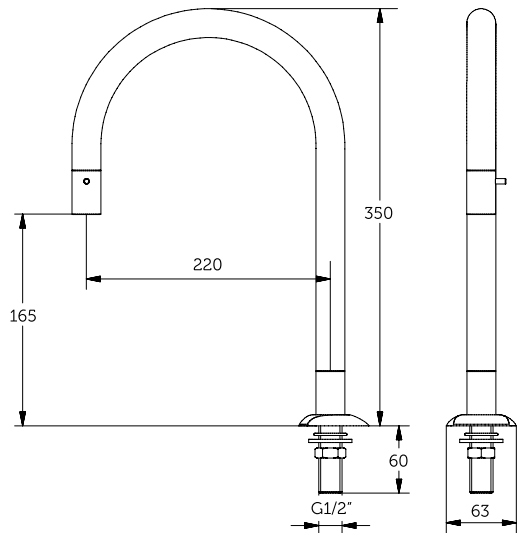
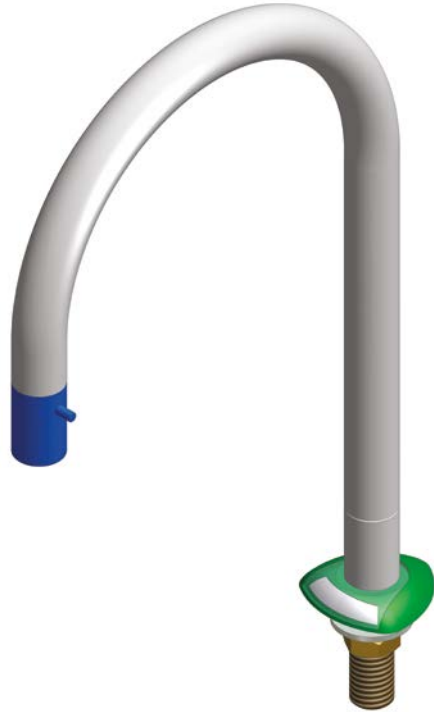
STANDARD AND NORMS

EN13792:2000

DIN12898

DIN12918

ISO228/1



WARRANTY 2 YEARS

APPLICATION

Bench mounting

DETAILS

Waterflow around 30l/min
at 3 Bars pressure

Test pressure: 9 Bars/air

Max working pressure: 10 Bars

SURFACE PROTECTION

Epoxy powder coating
RAL 7035

MATERIALS

Brass

Handle in PP

HEADWORK SEALING

CERAMIC temperature
working range: 0-70°

CONNECTION TAP

Male thread G1/2"

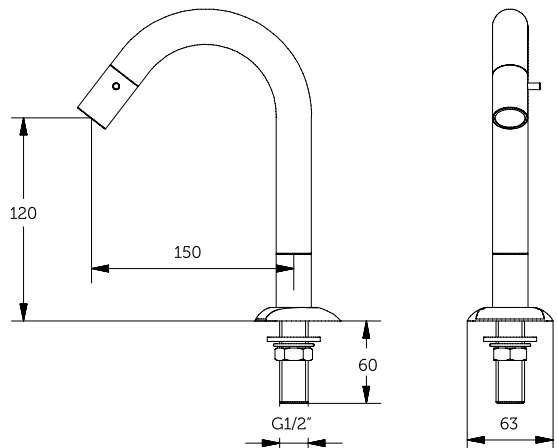
STANDARD AND NORMS

EN13792:2000

DIN12898

DIN12918

ISO228/1



WARRANTY 2 YEARS

APPLICATION

Bench mounting

DETAILS

Waterflow around 13l/min
at 3 Bars pressure

Test pressure: 9 Bars/air

Max working pressure: 10 Bars

SURFACE PROTECTION

Epoxy powder coating
RAL 7035

MATERIALS

Brass

Handle in PP

HEADWORK SEALING

EPDM temperature
working range: 0-70°

CERAMIC temperature
working range: 0-70°

CONNECTION TAP

Male thread G1/2"

STANDARD AND NORMS

EN13792:2000

DIN12898

DIN12918

ISO228/1

OPTIONS

Joystick handle
11080.2MDSJ

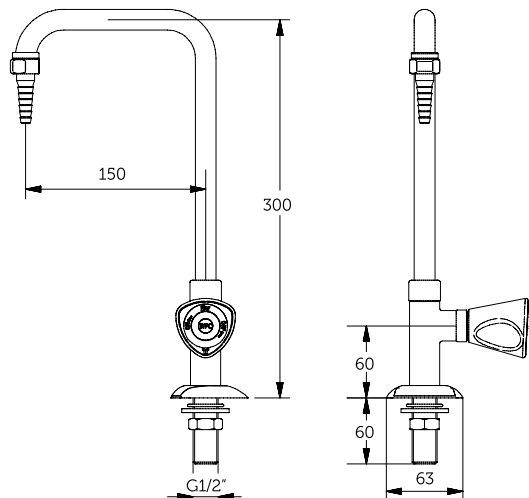
Ceramic headwork 90°
11080.2MDSC

With chemical nickel
plating 17 microns inside
11080.2MDSNK

Spout:

150 - 200 - 230

250 - 300 - 350 mm



WARRANTY 2 YEARS

APPLICATION

Bench mounting

DETAILS

Waterflow around 13l/min
at 3 Bars pressure

Test pressure: 9 Bars/air

Max working pressure: 10 Bars

SURFACE PROTECTION

Epoxy powder coating
RAL 7035

MATERIALS

Brass

Handle in PP

HEADWORK SEALING

EPDM temperature
working range: 0-70°

CERAMIC temperature
working range: 0-70°

CONNECTION TAP

Male thread G1/2"

STANDARD AND NORMS

EN13792:2000

DIN12898

DIN12918

ISO228/1

OPTIONS

Joystick handle 11080.2MDSLJ

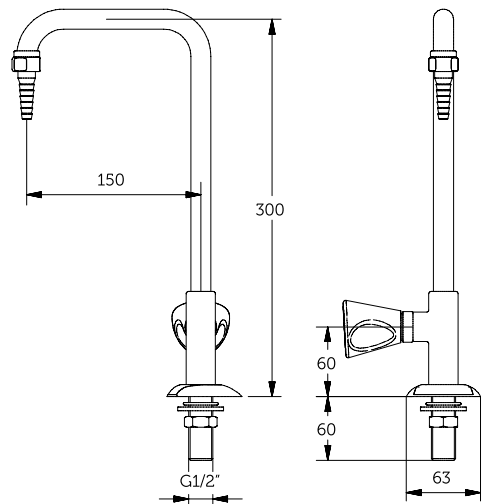
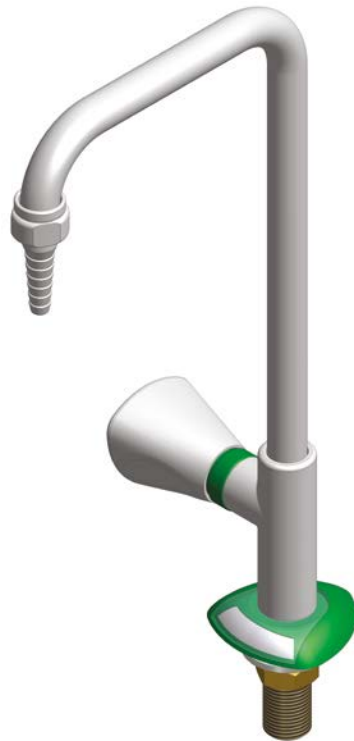
Ceramic headwork 90°
11080.2MDSLK

With chemical nickel
plating 17 microns inside
11080.2MDSLNK

Spout:

150 - 200 - 230

250 - 300 - 350 mm



WARRANTY 2 YEARS

APPLICATION

Bench mounting

DETAILS

Waterflow around 13l/min
at 3 Bars pressure

Test pressure: 9 Bars/air

Max working pressure: 10 Bars

SURFACE PROTECTION

Epoxy powder coating
RAL 7035

MATERIALS

Brass

Handle in PP

HEADWORK SEALING

EPDM temperature
working range: 0-70°

CERAMIC temperature
working range: 0-70°

CONNECTION TAP

Male thread G1/2"

STANDARD AND NORMS

EN13792:2000

DIN12898

DIN12918

ISO228/1

OPTIONS

Joystick handle 11080.2MDSRJ

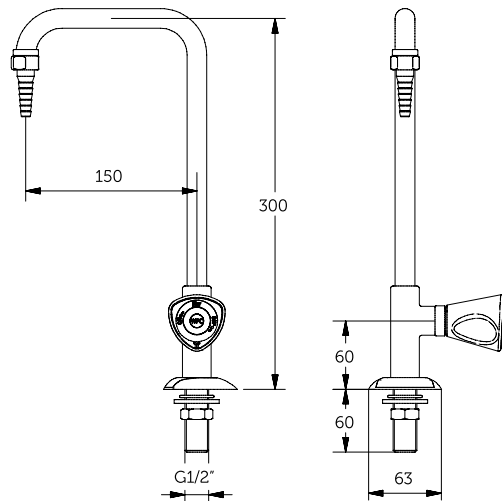
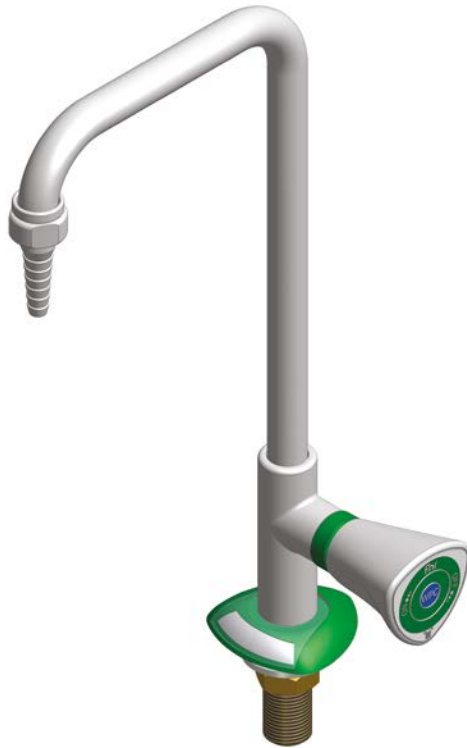
Ceramic headwork 90°
11080.2MDRC

With chemical nickel
plating 17 microns inside
11080.2MDSRKNK

Spout:

150 - 200 - 230

250 - 300 - 350 mm



WARRANTY 2 YEARS

APPLICATION

Bench mounting

DETAILS

Waterflow around 13l/min
at 3 Bars pressure

Test pressure: 9 Bars/air

Max working pressure: 10 Bars

SURFACE PROTECTION

Epoxy powder coating
RAL 7035

MATERIALS

Brass

Handle in PP

HEADWORK SEALING

EPDM temperature
working range: 0-70°

CERAMIC temperature
working range: 0-70°

CONNECTION TAP

Male thread G1/2"

STANDARD AND NORMS

EN13792:2000

DIN12898

DIN12918

ISO228/1

OPTIONS

Joystick handle 11080.2MDSSJ

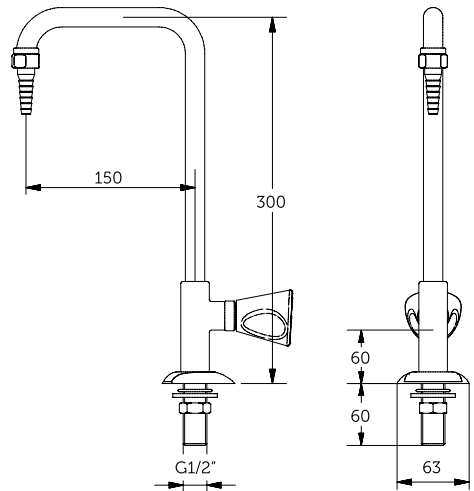
Ceramic headwork 90°
11080.2MDSSC

With chemical nickel
plating 17microns inside
11080.2MDSSNK

Spout:

150 - 200 - 230

250 - 300 - 350 mm



APPLICATION

Bench mounting

DETAILS

Waterflow around 26l/min
at 3 Bars pressure

Test pressure: 9 Bars/air

Max working pressure: 10 Bars

SURFACE PROTECTION

Epoxy powder coating
RAL 7035

MATERIALS

Brass

Handle in PP

HEADWORK SEALING

EPDM temperature
working range: 0-70°

CERAMIC temperature
working range: 0-70°

CONNECTION TAP

Flexibles with swivelling
nut F3/8"

STANDARD AND NORMS

EN13792:2000

DIN12898

DIN12918

ISO228/1

OPTIONS

Joystick handle 11081.0MDSJ

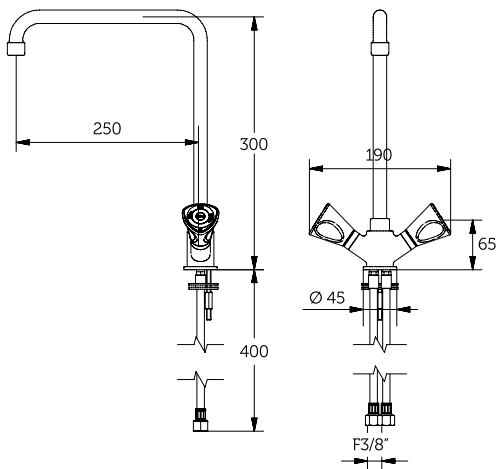
Ceramic headwork 90°
11081.0MDSC

With chemical nickel
plating 17 microns inside
11081.0MDSNK

Spout:

150 - 200 - 230

250 - 300 - 350 mm



APPLICATION

Bench mounting

DETAILS

Waterflow around 26l/min
at 3 Bars pressure

Test pressure: 9 Bars/air

Max working pressure: 10 Bars

SURFACE PROTECTION

Epoxy powder coating
RAL 7035

MATERIALS

Brass

Handle in PP

HEADWORK SEALING

EPDM temperature
working range: 0-70°

CERAMIC temperature
working range: 0-70°

CONNECTION TAP

Flexibles F3/8"

STANDARD AND NORMS

EN13792:2000

DIN12898

DIN12918

ISO228/1

OPTIONS

Joystick handle 11081.GMDSJ

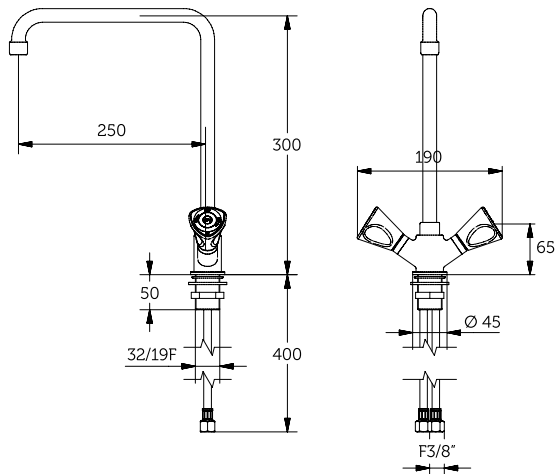
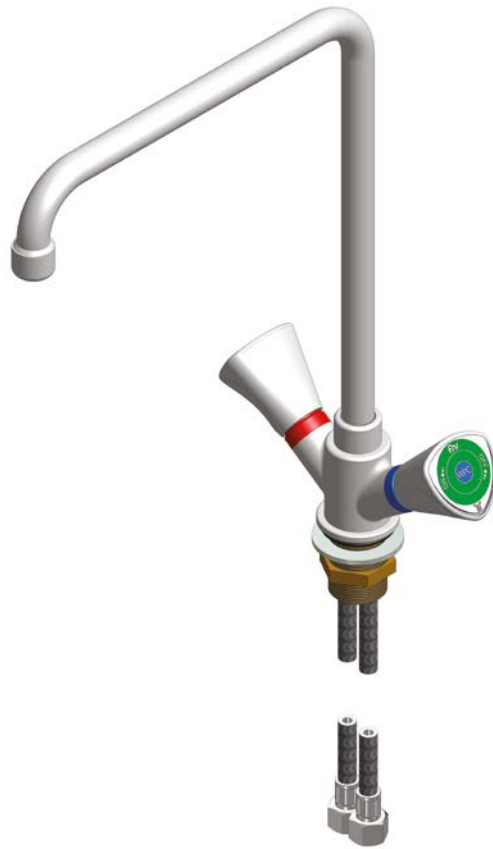
Ceramic headwork 90°
11081.GMDSC

With chemical nickel
plating 17 microns inside
11081.GMDSNK

Spout:

150 - 200 - 230

250 - 300 - 350 mm



APPLICATION

Bench mounting

DETAILS

Waterflow around 26l/min
at 3 Bars pressure

Test pressure: 9 Bars/air

Max working pressure: 10 Bars

SURFACE PROTECTION

Epoxy powder coating
RAL 7035

MATERIALS

Brass

Handle in PP

HEADWORK SEALING

EPDM temperature
working range: 0-70°

CERAMIC temperature
working range: 0-70°

CONNECTION TAP

Flexibles F3/8"

STANDARD AND NORMS

EN13792:2000

DIN12898

DIN12918

ISO228/1

OPTIONS

Joystick handle 11082.0MDSJ

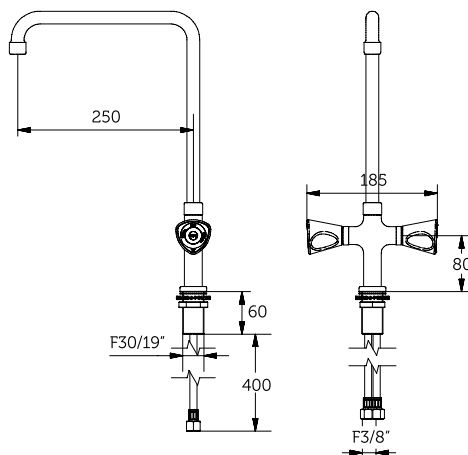
Ceramic headwork 90°
11082.0MDSC

With chemical nickel
plating 17 microns inside
11082.0MDSNK

Spout:

150 - 200 - 230

250 - 300 - 350 mm



WARRANTY 2 YEARS

APPLICATION

Bench mounting

DETAILS

Waterflow around 17 l/min
at 3 Bars pressure

Test pressure: 9 Bars/air

Max working pressure: 10 Bars

SURFACE PROTECTION

Epoxy powder coating
RAL 7035

MATERIALS

Brass

Handle in PP

HEADWORK SEALING

CERAMIC kartridge
working range: 0-70°

CONNECTION TAP

Flexibles F3/8"

STANDARD AND NORMS

EN13792:2000

DIN12898

DIN12918

ISO228/1

OPTIONS

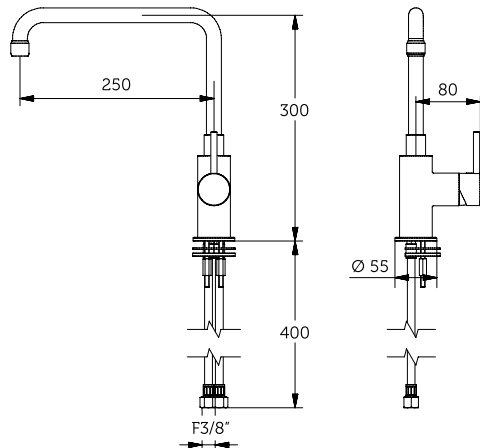
With chemical nickel
plating 17 microns inside
11087.0MDSNK

Spout:

- 150 - 200 - 230
- 250 - 300 - 350 mm

SPOUT CAN BE:

- Fully swivelling 11087.0MDSFU
- Fixed 11087.0MDSFI
- 110° limited rotation 11087.0MDSLRL



APPLICATION

Bench mounting

DETAILS

Waterflow around 17l/min
at 3 Bars pressure

Test pressure: 9 Bars/air

Max working pressure: 10 Bars

SURFACE PROTECTION

Epoxy powder coating
RAL 7035

MATERIALS

Brass

HEADWORK SEALING

CERAMIC kartridge
working range: 0-70°

CONNECTION TAP

Flexibles F3/8"

STANDARD AND NORMS

EN13792:2000

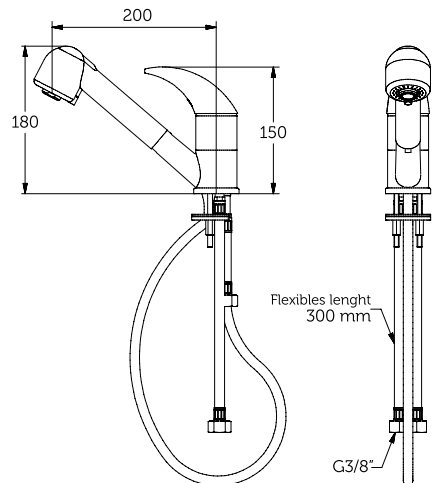
DIN12898

DIN12918

ISO228/1

OPTIONS

With chemical nickel
plating 17 microns inside
11090.0MDSNK



WARRANTY 2 YEARS

APPLICATION

Bench mounting

DETAILS

Waterflow around 17l/min
at 3 Bars pressure

Test pressure: 9 Bars/air

Max working pressure: 10 Bars

SURFACE PROTECTION

Epoxy powder coating
RAL 7035

MATERIALS

Brass

Handle in PP

HEADWORK SEALING

CERAMIC kartridge
working range: 0-70°

CONNECTION TAP

Flexibles F3/8"

STANDARD AND NORMS

EN13792:2000

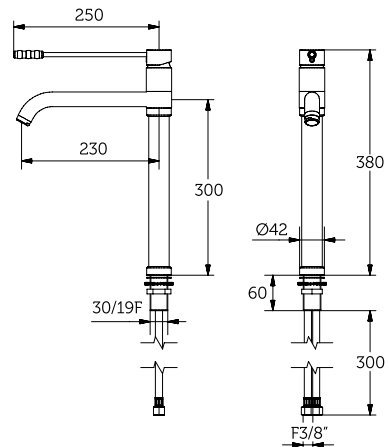
DIN12898

DIN12918

ISO228/1

OPTIONS

With chemical nickel
plating 17 microns inside
11091.GMDSNK



APPLICATION

Bench mounting

DETAILS

Waterflow around 17l/min
at 3 Bars pressure

Test pressure: 9 Bars/air

Max working pressure: 10 Bars

SURFACE PROTECTION

Epoxy powder coating
RAL 7035

MATERIALS

Brass

Handle in PP

HEADWORK SEALING

CERAMIC kartridge
working range: 0-70°

CONNECTION TAP

Copper tubes \varnothing 8

STANDARD AND NORMS

EN13792:2000

DIN12898

DIN12918

ISO228/1

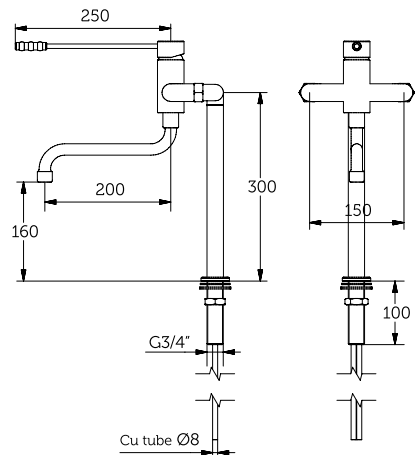
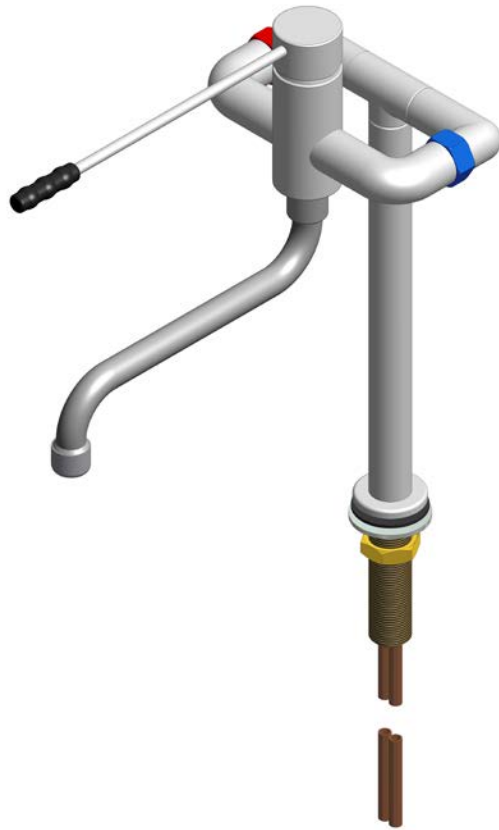
OPTIONS

With chemical nickel
plating 17 microns inside
11100.3MDSNK

Spout:

200 - 250

300 - 350 mm



WARRANTY 2 YEARS

APPLICATION

Bench mounting

DETAILS

Waterflow around 26l/min
at 3 Bars pressure

Test pressure: 9 Bars/air

Max working pressure: 10 Bars

SURFACE PROTECTION

Epoxy powder coating
RAL 7035

MATERIALS

Brass

Handle in PP

HEADWORK SEALING

EPDM temperature
working range: 0-70°

CERAMIC temperature
working range: 0-70°

CONNECTION TAP

Copper tubes \varnothing 8

STANDARD AND NORMS

EN13792:2000

DIN12898

DIN12918

ISO228/1

OPTIONS

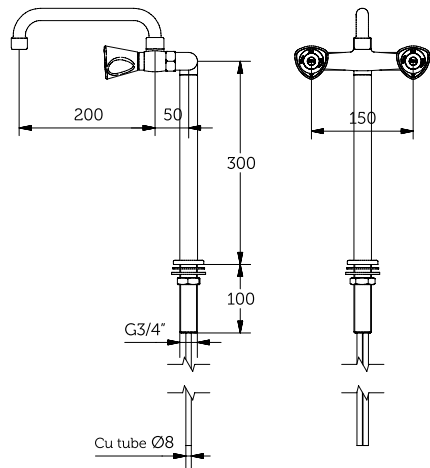
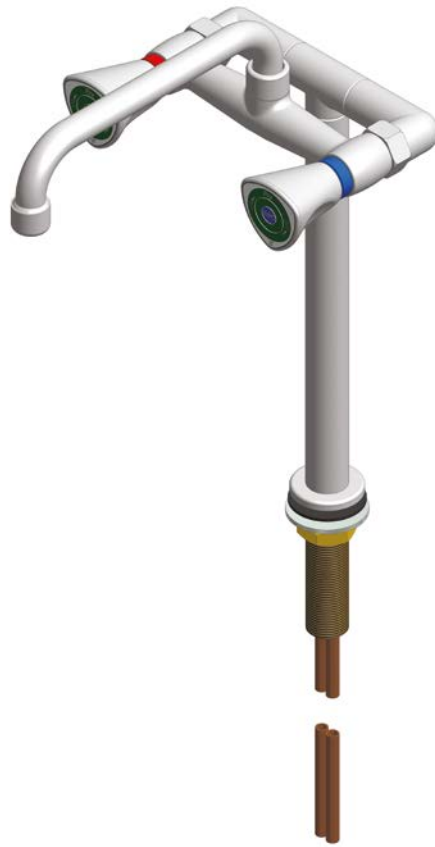
Joystick handle 11106.3MDSJ

With chemical nickel
plating 17 microns inside
11106.3MDSNK

Spout:

150 - 200 - 250

300 - 350 mm



APPLICATION

Wall mounting

DETAILS

Waterflow around 13l/min
at 3 Bars pressure

Test pressure: 9 Bars/air

Max working pressure: 10 Bars

SURFACE PROTECTION

Epoxy powder coating
RAL 7035

MATERIALS

Brass

Handle in PP

HEADWORK SEALING

CERAMIC temperature
working range: 0-70°

CONNECTION TAP

Male thread G1/2"

STANDARD AND NORMS

EN13792:2000

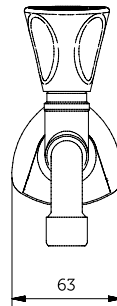
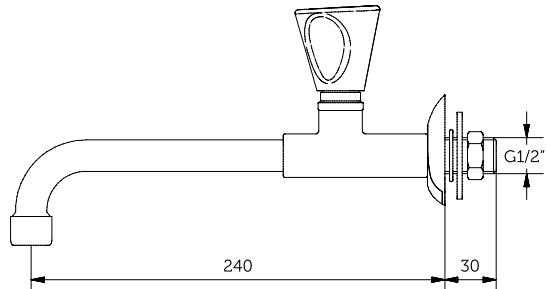
DIN12898

DIN12918

ISO228/1

OPTIONS

With chemical nickel
plating 17 microns inside
11222.2MDSJNK



WARRANTY 2 YEARS

APPLICATION

Bench mounting

DETAILS

Waterflow around 13l/min
at 3 Bars pressure

Test pressure: 9 Bars/air

Max working pressure: 10 Bars

SURFACE PROTECTION

Epoxy powder coating
RAL 7035

MATERIALS

Brass

Handle in PP

HEADWORK SEALING

CERAMIC temperature
working range: 0-70°

CONNECTION TAP

Male thread G1/2"

STANDARD AND NORMS

EN13792:2000

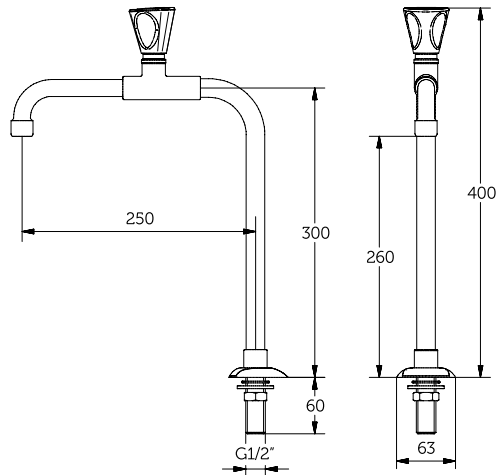
DIN12898

DIN12918

ISO228/1

OPTIONS

With chemical nickel
plating 17 microns inside
11223.2MDSJNK



WARRANTY 2 YEARS

APPLICATION

Wall mounting
Fume Cupboard

DETAILS

Waterflow around 13 l/min
at 3 Bars pressure
Test pressure: 9 Bars/air
Max working pressure: 10 Bars

SURFACE PROTECTION

Epoxy powder coating
RAL 7035

MATERIALS

Brass
Handle in PP

HEADWORK SEALING

EPDM temperature
working range: 0-70°
CERAMIC temperature
working range: 0-70°

CONNECTION TAP

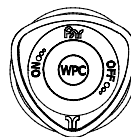
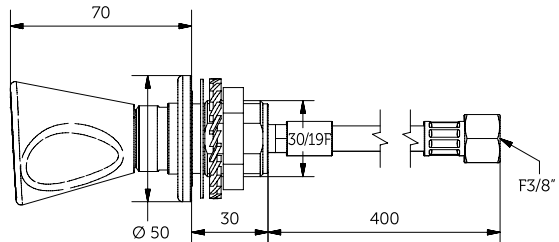
Flexibles F3/8"

STANDARD AND NORMS

EN13792:2000
DIN12898
DIN12918
ISO228/1

OPTIONS

Joystick handle 11300.MDSFJ
With ceramic headwork 90°
11300.MDSFC
With chemical nickel
plating 17 microns inside
11300.MDSFNK



APPLICATION

Wall mounting
Fume Cupboard

DETAILS

Waterflow around 13l/min
at 3 Bars pressure
Test pressure: 9 Bars/air
Max working pressure: 10 Bars

SURFACE PROTECTION

Epoxy powder coating
RAL 7035

MATERIALS

Brass
Handle in PP

HEADWORK SEALING

EPDM temperature
working range: 0-70°
CERAMIC temperature
working range: 0-70°

CONNECTION TAP

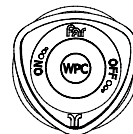
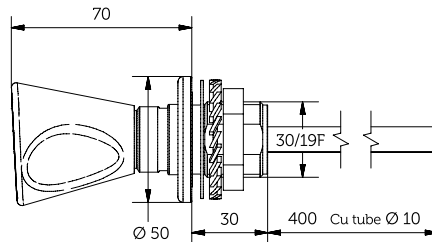
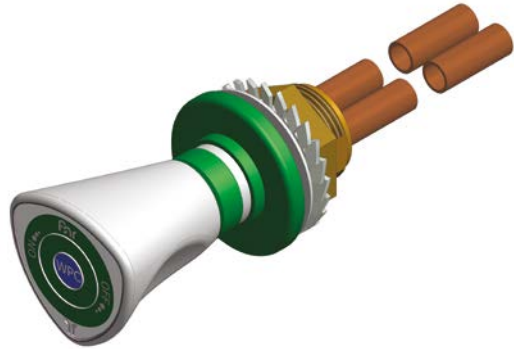
Copper tubes Ø 10

STANDARD AND NORMS

EN13792:2000
DIN12898
DIN12918
ISO228/1

OPTIONS

Joystick handle 11300.MDSTJ
With ceramic headwork 90°
11300.MDSTC
With chemical nickel
plating 17 microns inside
11300.MDSTNK



APPLICATION

Wall mounting
Fume cupboard

DETAILS

Waterflow around 17l/min
at 3 Bars pressure
Test pressure: 9 Bars/air
Max working pressure: 10 Bars

SURFACE PROTECTION

Epoxy powder coating
RAL 7035

MATERIALS

Brass

HEADWORK SEALING

CERAMIC cartridge
temperature working
range: 0-70°

CONNECTION TAP

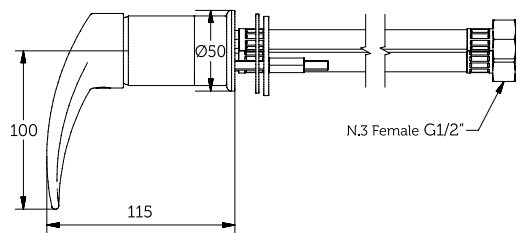
Female G 1/2"

STANDARD AND NORMS

EN13792:2000
DIN12898
DIN12918
ISO228/1

OPTIONS

With chemical nickel
plating 17 microns inside
11300.MDSXNK



WARRANTY 2 YEARS

APPLICATION

Wall mounting
Fume cupboard

SURFACE PROTECTION

Epoxy powder coating
RAL 7035

MATERIALS

Brass

CONNECTION TAP

Male thread G 3/8"

STANDARD AND NORMS

EN13792:2000

DIN12898

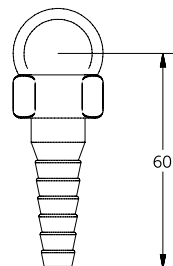
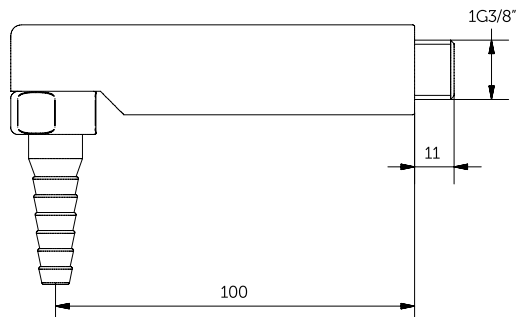
DIN12918

ISO228/1

OPTIONS

With chemical nickel
plating 17 microns inside
11320.1MDSNK

With flow-back prevention
valve 11320.1MDSV



APPLICATION

Wall mounting
Fume cupboard

SURFACE PROTECTION

Epoxy powder coating
RAL 7035

MATERIALS

Brass

CONNECTION TAP

Male thread G 3/8"

STANDARD AND NORMS

EN13792:2000

DIN12898

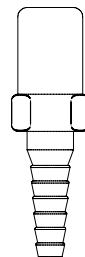
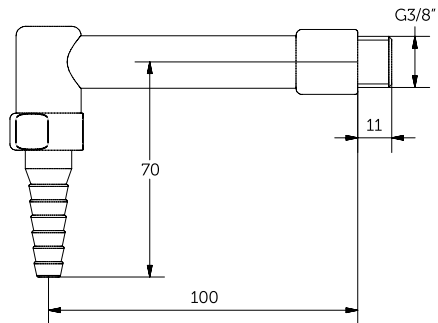
DIN12918

ISO228/1

OPTIONS

With chemical nickel
plating 17 microns inside
11320.1MDSENK

With flow-back prevention
valve 11320.1MDSEV



APPLICATION

Wall mounting
Fume cupboard

URFACE PROTECTION

Epoxy powder coating
RAL 7035

MATERIALS

Brass

CONNECTION TAP

Male thread G 1/2"

STANDARD AND NORMS

EN13792:2000

DIN12898

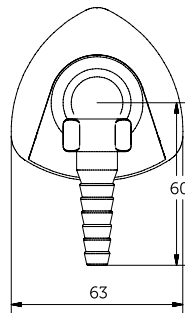
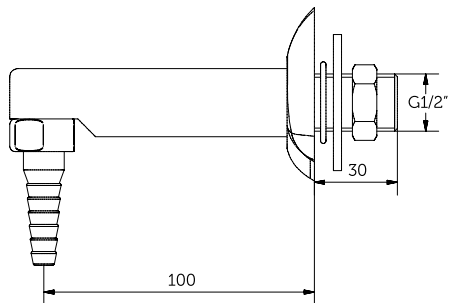
DIN12918

ISO228/1

OPTIONS

With chemical nickel
plating 17 microns inside
11321.2MDSNK

With flow-back prevention
valve 11321.2MDSV



APPLICATION

Wall mounting
Fume cupboard

SURFACE PROTECTION

Epoxy powder coating
RAL 7035

MATERIALS

Brass

CONNECTION TAP

Male thread G 1/2"

STANDARD AND NORMS

EN13792:2000

DIN12898

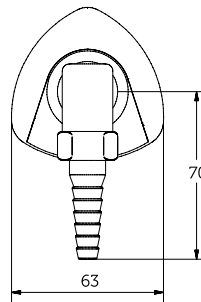
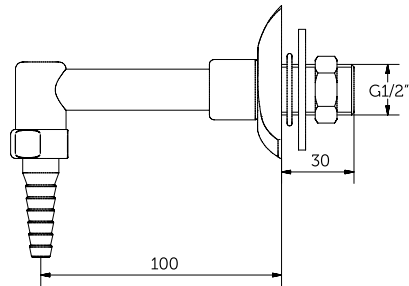
DIN12918

ISO228/1

OPTIONS

With chemical nickel
plating 17 microns inside
11321.2MDSenk

With flow-back prevention
valve 11321.2MDSEV



WARRANTY 2 YEARS

APPLICATION

Wall mounting
Fume cupboard

URFACE PROTECTION

Epoxy powder coating
RAL 7035

MATERIALS

Brass

CONNECTION TAP

Male thread G 1/2"

STANDARD AND NORMS

EN13792:2000

DIN12898

DIN12918

ISO228/1

OPTIONS

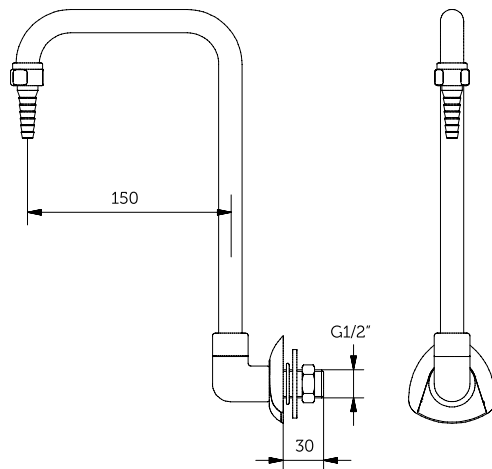
With chemical nickel plating 17 microns inside
11322.2MDSNK

With flow back prevention valve 11322.2MDSV

Spout:

150 - 200 - 230

250 - 300 - 350 mm



APPLICATION

Wall mounting
Vertical mounting
Fume cupboard

SURFACE PROTECTION

Epoxy powder coating
RAL 7035

MATERIALS

Brass

CONNECTION TAP

Male thread G 1/2"

STANDARD AND NORMS

EN13792:2000

DIN12898

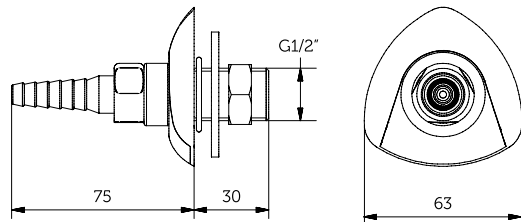
DIN12918

ISO228/1

OPTIONS

With chemical nickel
plating 17 microns inside
11325.2MDSNK

With flow back prevention
valve 11325.2MDSV



APPLICATION

Bench mounting
Fume cupboard

URFACE PROTECTION

Epoxy powder coating
RAL 7035

MATERIALS

Brass

CONNECTION TAP

Male thread G 1/2"

STANDARD AND NORMS

EN13792:2000
DIN12898
DIN12918
ISO228/1

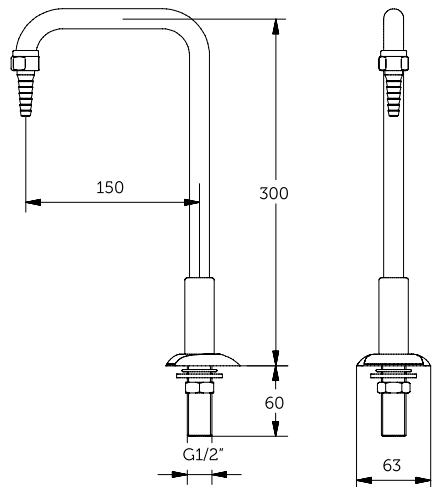
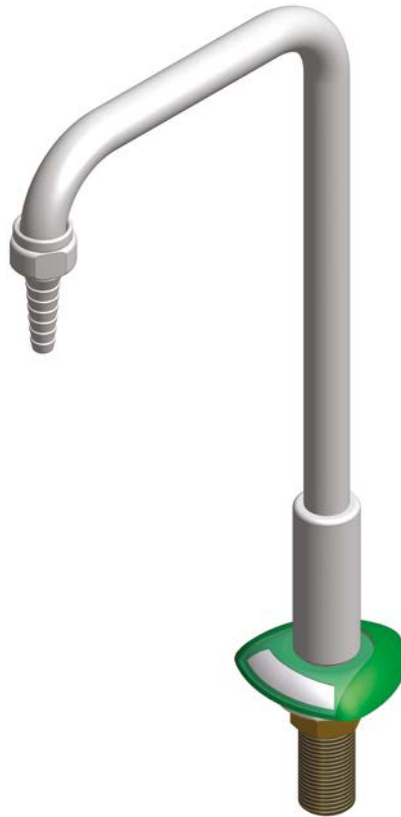
OPTIONS

With chemical nickel plating 17 microns inside
11326.2MDSNK

With flow back prevention valve 11326.2MDSV

Spout:

- 150 - 200 - 230
- 250 - 300 - 350 mm



APPLICATION

Bench mounting
Fume cupboard

SURFACE PROTECTION

Epoxy powder coating
RAL 7035

MATERIALS

Brass

CONNECTION TAP

Male thread G 1/2"

STANDARD AND NORMS

EN13792:2000

DIN12898

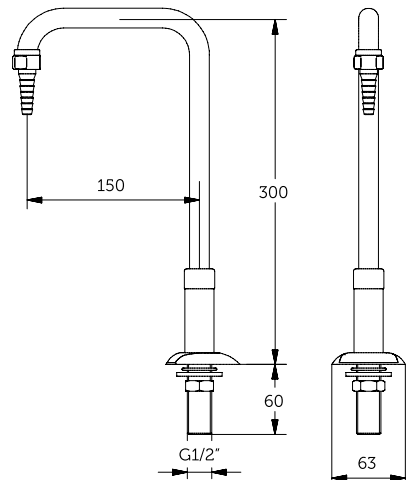
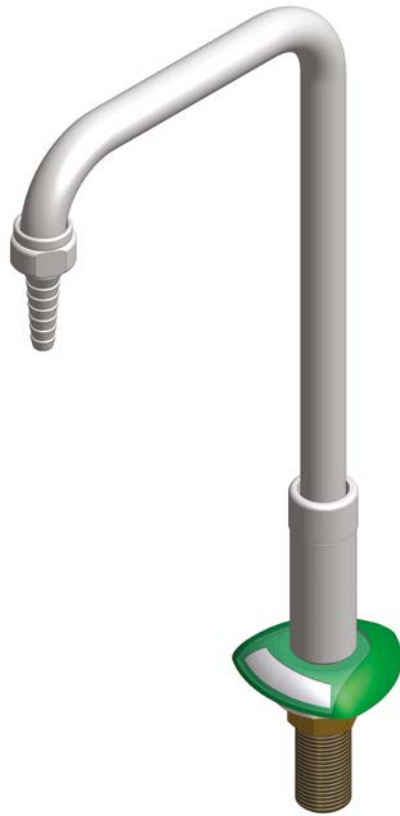
DIN12918

ISO228/1

OPTIONS

With chemical nickel plating 17 microns inside
11327.2MDSNK

With flow back prevention valve 11327.2MDSV



WARRANTY 2 YEARS

