

10EDK1 ! PENDING OBSOLESCENCE

Corcom | Corcom DK

TE Internal #: 6609033-7

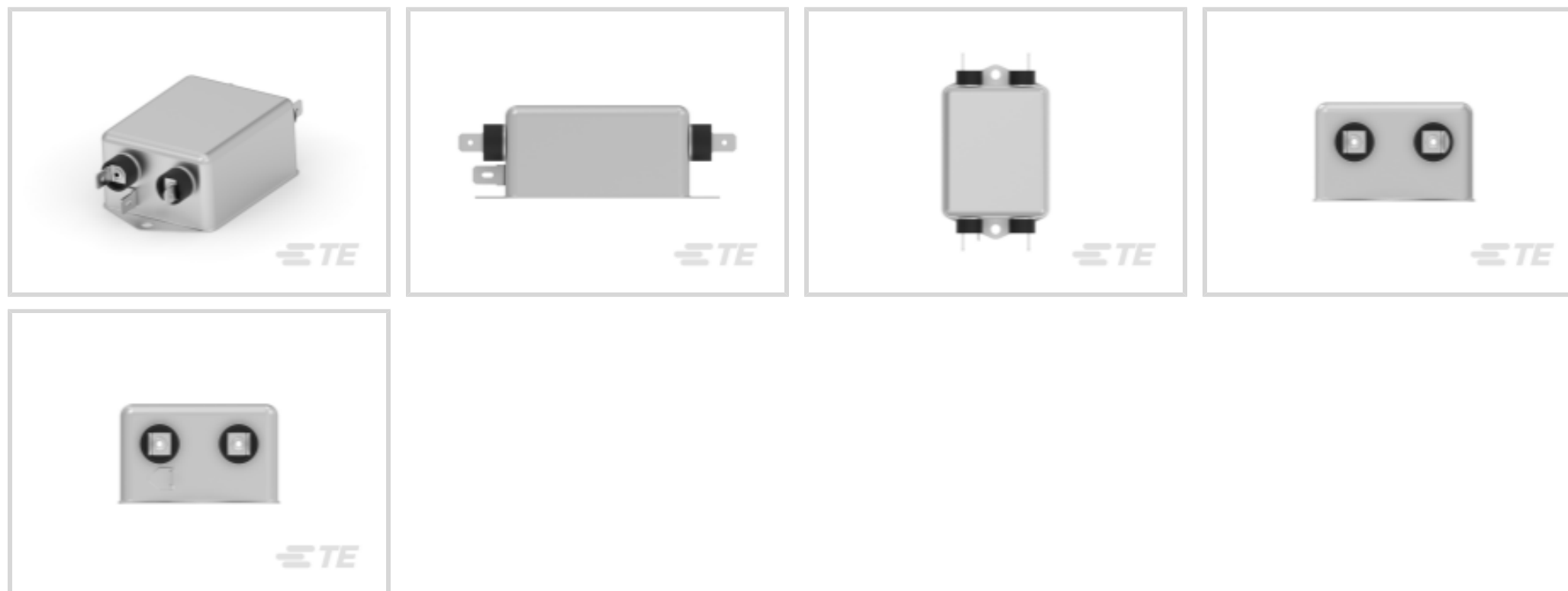
TE Internal Description: 10EDK1=F7612 S0

Single Phase Filters, Corcom DK Series

[View on TE.com >](#)



EMI & EMC Solutions > EMI Filters > Power Line Filters > Single Phase Filters > Single Phase Filters, Corcom DK Series



Current Rating: 10 A

Input Termination Type: .250" FASTON

Output Termination Type: .250" FASTON

Leakage Current (Max) (120VAC, 60Hz): .22 mA

Leakage Current (Max) (250VAC, 50Hz): .38 mA

[All Single Phase Filters, Corcom DK Series \(0\)](#)

Features

Product Type Features

Ground Choke Option	No
Filtering Requirements	Filtered
Input Termination Type	.250" FASTON
Output Termination Type	.250" FASTON

Electrical Characteristics

Operating Voltage	250 VAC
Current Rating	10 A
Leakage Current (Max) (120VAC, 60Hz)	.22 mA
Leakage Current (Max) (250VAC, 50Hz)	.38 mA

Mechanical Attachment

Panel Mount Feature Type	Flanged
--------------------------	---------

Usage Conditions

Operating Temperature Range	-10 – 40 °C
-----------------------------	-------------

Product Compliance

[For compliance documentation, visit the product page on TE.com>](#)

EU RoHS Directive 2011/65/EU	Compliant
EU ELV Directive 2000/53/EC	Compliant
China RoHS 2 Directive MIIT Order No 32, 2016	No Restricted Materials Above Threshold
EU REACH Regulation (EC) No. 1907/2006	Current ECHA Candidate List: JAN 2024 (240) Candidate List Declared Against: JUNE 2023 (235) Does not contain REACH SVHC
Halogen Content	Not Low Halogen - contains Br or Cl > 900 ppm.
Solder Process Capability	Not applicable for solder process capability

Product Compliance Disclaimer

This information is provided based on reasonable inquiry of our suppliers and represents our current actual knowledge based on the information they provided. This information is subject to change. The part numbers that TE has identified as EU RoHS compliant have a maximum concentration of 0.1% by weight in homogenous materials for lead, hexavalent chromium, mercury, PBB, PBDE, DBP, BBP, DEHP, DIBP, and 0.01% for cadmium, or qualify for an exemption to these limits as defined in the Annexes of Directive 2011/65/EU (RoHS2). Finished electrical and electronic equipment products will be CE marked as required by Directive 2011/65/EU. Components may not be CE marked. Additionally, the part numbers that TE has identified as EU ELV compliant have a maximum concentration of 0.1% by weight in homogenous materials for lead, hexavalent chromium, and mercury, and 0.01% for cadmium, or qualify for an exemption to these limits as defined in the Annexes of Directive 2000/53/EC (ELV). Regarding the REACH Regulation, the information TE provides on SVHC in articles for this part number is based on the latest European Chemicals Agency (ECHA) 'Guidance on requirements for substances in articles' posted at this URL: <https://echa.europa.eu/guidance-documents/guidance-on-reach>

Compatible Parts



Also in the Series

Customers Also Bought



TE Part #4-1879233-9
SMW5 10R 5%



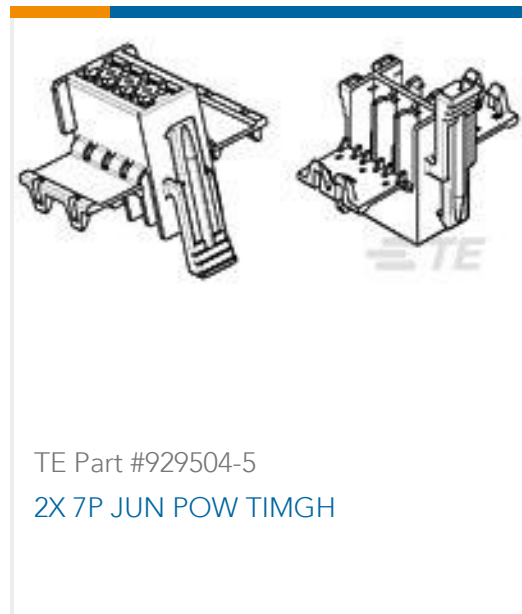
TE Part #5-1879233-7
SMW5 22R 5%



TE Part #42037-1
RING TERMINAL 22-18 AWG TPBR



TE Part #1623191-1
CRG0805 1% 30K



TE Part #929504-5
2X 7P JUN POW TIMGH



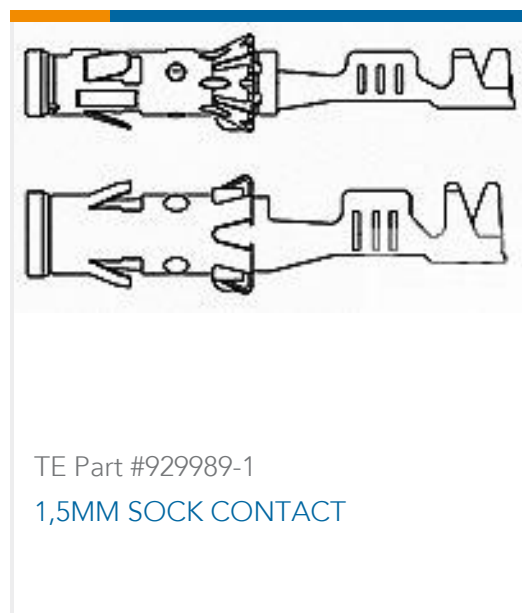
TE Part #1-1564330-1
4POS,AMP MCP6.3/4.8K,REC HSG,
ASSY



TE Part #215083-6
MICRO-MATCH MOW.06P



TE Part #174463-1
070 MULTILOCK 2P P



TE Part #929989-1
1,5MM SOCK CONTACT



TE Part #1394512-1
EINZELLEITDICHTG,BL

Documents

Product Drawings

10EDK1=F7612 S0

English

CAD Files

Customer View Model

[ENG_CVM_6609033-7_1.3d_igs.zip](#)

English

Customer View Model

[ENG_CVM_6609033-7_1.3d_stp.zip](#)

English

Customer View Model

[ENG_CVM_6609033-7_1.2d_dxf.zip](#)

English

3D PDF

English

Customer View Model

[ENG_CVM_CVM_6609033-7_E.3d_igs.zip](#)

English



Customer View Model

[ENG_CVM_CVM_6609033-7_E.3d_stp.zip](#)

English

Customer View Model

[ENG_CVM_CVM_6609033-7_E.2d_dxf.zip](#)

English

[3D PDF](#)

[3D](#)

By downloading the CAD file I accept and agree to the [Terms and Conditions](#) of use.

Datasheets & Catalog Pages

[1654001_CORCOM_PRODUCT_GUIDE](#)

English

[1654001_Corcom_Product_Guide_DK_Series](#)

English

[Corcom Combined Selector Charts](#)

English

[1-1654250-1_CORCOM_EMI_RFI_QRG](#)

English