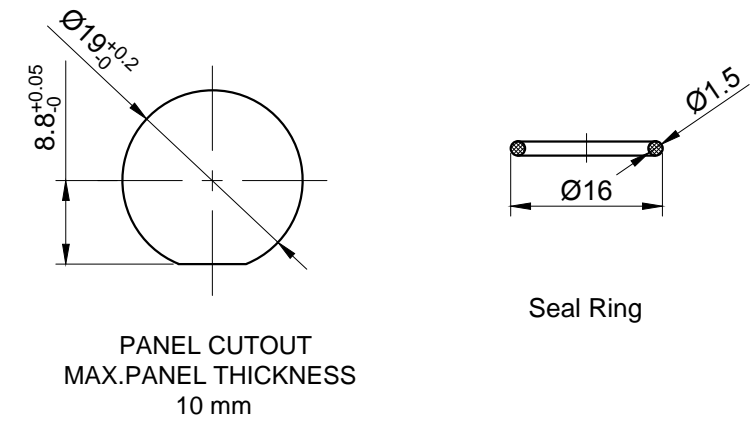


FOR 客户名称	APPROVED 客户确认签字	ATTN 销售负责人



Contact Composition

Operation Position	Switch Type	90° Two Position			
		1NO1NC		2NO2NC	
↖		NO NC	NO NC	NO NC	NO NC
↗		NO NC	NO NC	NO NC	NO NC

Part Number: LAS1-AGQ-□Y/◆●/S

□	Contact structure	◆	Operation position	●	Operation type
11	1NO 1NC	2	Two Position ↖↗	1	Maintain ↖↗
22	2NO 2NC			3	Return ↖↗

SPECIFICATIONS:

1. Switch Rating: AC220V/0.5A, DC110V/0.1A.
2. Mechanical Life: ≥200,000cycles.
3. Electrical Life: ≥50,000cycles.
4. Contact Resistance: ≤50mΩ.
5. Insulation Resistance: ≥1,000MΩ.
6. Dielectric Strength: 1,500V, RMS 50Hz, 1min.
7. Operating Temperature: -25°C ~ +55°C (No Freezing).
8. Torque: About 0.8Nm max. applied to nut.
9. IP Class: IP40, IP65 (Maintain can made to order).
10. Terminal Type: Pin Terminal (2.8 x 0.5mm).

MATERIALS:

1. Contact: Silver alloy.
2. Head: Stainless Steel.
3. Body: Stainless Steel.
4. Base: PBT.

BRAND 品牌 ONPOW		红波按钮制造有限公司 ONPOW PUSH BUTTON MANUFACTURE CO.,LTD.			
THESE DRAWINGS AND SPECIFICATIONS ARE THE PROPERTY OF ONPOW PUSH BUTTON MANUFACTURE CO.,LTD. AND SHALL NOT BE REPRODUCED COPIED OR USED IN ANY MANNER WITHOUT THE PRIOR WRITTEN CONSENT OF ONPOW PUSH BUTTON MANUFACTURE CO.,LTD.		USED 用途	APPD 审核	CH	2020/04/30
FINISH 处理		SCALE 比例	UNIT 单位	DR. 制图	CHKD 校对
DIMENSIONS		TOLERANCE	TITLE 名称		SIZE 图纸
0.00 TO 18.00mm		±0.43mm	GQ Series Anti-vandal push button		A4
18.01 TO 30.00mm		±0.52mm	DWG NO. 图号		
30.01 TO 50.00mm		±0.62mm	LAS1-AGQ-Y (二位置)		
50.01 TO 80.00mm		±0.74mm	FILE NAME 档案名称	SHEET 张	REV. 更改
			LAS1-AGQ-Y.DWG	1 / 1	1