



GOST

### Special Features

- Cost effective
- Sleek design
- Dry & fillable version
- Standard followed in general EN 837-1

### Application

- Suitable for clean air & gaseous or liquid media that will not obstruct the pressure system

### Specifications

#### Standard Version : 100 mm

Accuracy	:	±1.6% of F. S.
Ambient temperature	:	- 20°C to + 65°C
Process temperature	:	Max. 180°C
Operating pressure range	:	75% of Scale Value
Over pressure limit	:	≤ 100 bar : 125% of Max. Scale Value
	:	> 100 to ≤ 600 bar : 115% of Max. Scale Value

Case & Bezel	:	AISI 304 SS (Bayonet Type)
Bourdon	:	AISI 316L SS
Socket	:	AISI 316 SS
Movement	:	AISI 304 SS
Joints	:	Tig Argon Arc Welding

Protection	:	IP 65
Dial	:	Aluminum, black graduation on white background
Pointer	:	Aluminum, black coloured, slotted Zero adjustable
Window	:	Sheet Glass
Filling Plug	:	Neoprene
Gasket	:	Neoprene

#### Dry but fillable version (option FG)

Fillable Dampening Liquid	:	Glycerine 99.7% (Option - FG)
Process Temperature	:	Maximum 65°C
Window	:	Plexi Glass
Other Features	:	Refer Specification of Standard Version

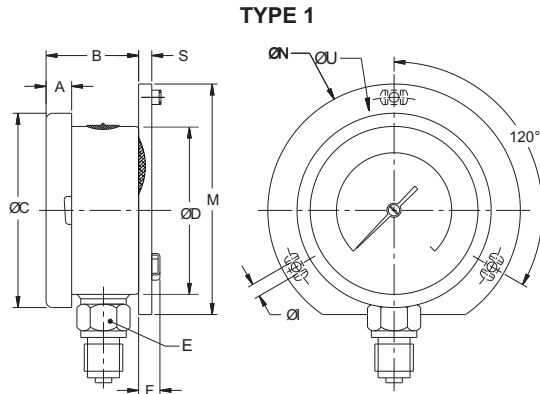
#### Glycerine filled version (option PY)

Accuracy	:	±1.6% of F. S.
Ambient Temperature	:	Maximum 65°C
Process Temperature	:	Maximum 65°C
Window	:	Plexi Glass
Dampening Liquids	:	Glycerine 99.7% (others available as option)
Other Features	:	Refer Specification of Standard Version

#### Temperature effect:

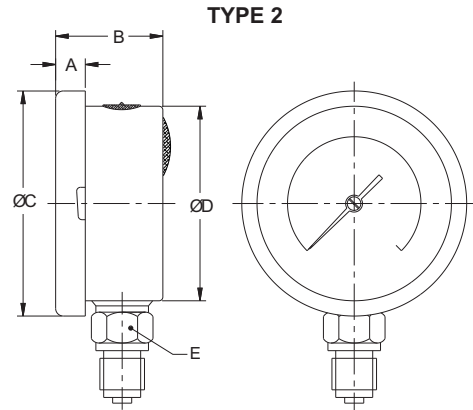
The variation of indication caused by effects of temperature is to be calculated by below formula; which is to be added in the specified accuracy while measurement :- Formula : ± 0.04 x (t2 - t1) % of F. S. where t1 = reference temperature (+20°C) and t2 = ambient temperature in °C.

Dimensions - standard version



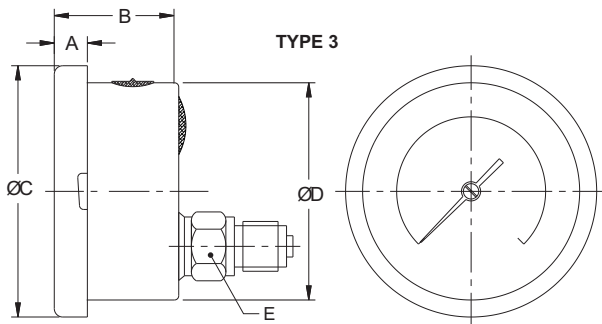
**TYPE 1**  
BAYONET TYPE (STANDARD)

NS	A	B	ØD	ØC	E	M	S	F	ØI	ØN	ØU	Weight in gram (With Box)
100	12.5	39	100	110	A/F 17	128	6	14.5	6	134	118	530.0



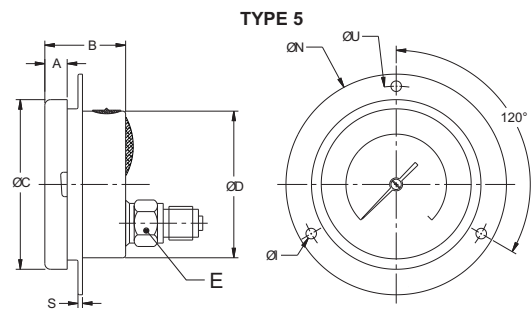
**TYPE 2**  
BAYONET TYPE (STANDARD)

NS	A	B	ØD	ØC	E	Weight in gram (With Box)
100	12.5	39	100	110	A/F 17	420.0



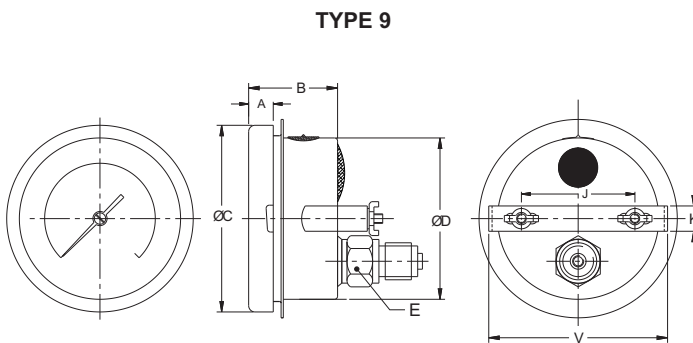
**TYPE 3**  
BAYONET TYPE (STANDARD)

NS	A	B	ØD	ØC	E	Weight in gram (With Box)
100	12.5	39	100	110	A/F 17	440.0



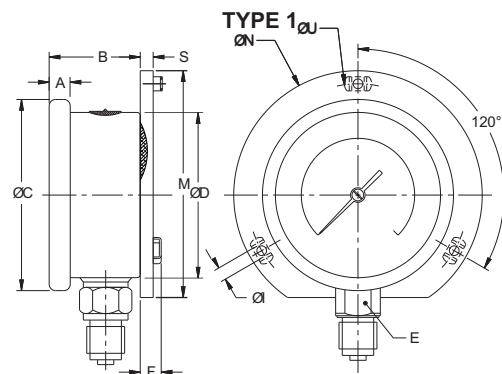
**TYPE 5**  
BAYONET TYPE (STANDARD)

NS	A	B	ØD	ØC	E	S	F	ØI	ØN	ØU	Weight in gram (With Box)
100	12.5	39	100	110	A/F 17	6	14.5	6	134	118	510.0



**TYPE 9**  
BAYONET TYPE (STANDARD)

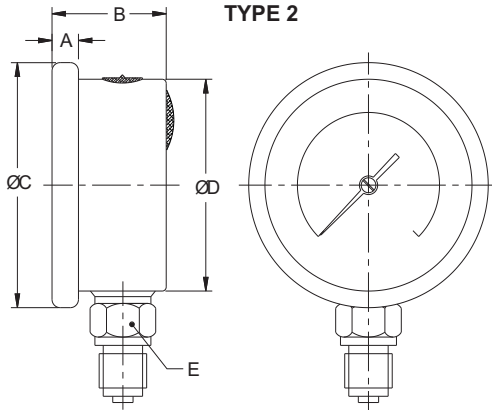
NS	A	B	ØD	ØC	E	J	K	V	Weight in gram (With Box)
100	12.5	39	100	110	A/F 17	66.5	16	106	550.0



**TYPE 1**  
ROLLING TYPE (OPTION)

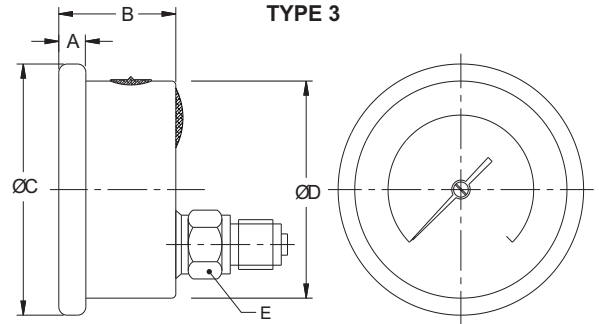
NS	A	B	ØD	ØC	E	S	F	ØI	ØN	ØU	Weight in gram (With Box)
100	12.5	39	100	110	A/F 17	6	14.5	6	134	118	495.0

**Dimensions - standard version**



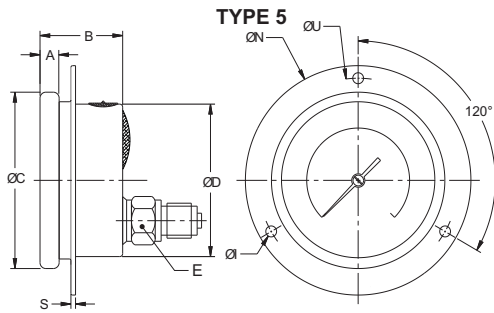
**ROLLING TYPE (OPTION)**

NS	A	B	ØD	ØC	E	Weight in gram (With Box)
100	7	35.5	100	110	A/F 17	405.0



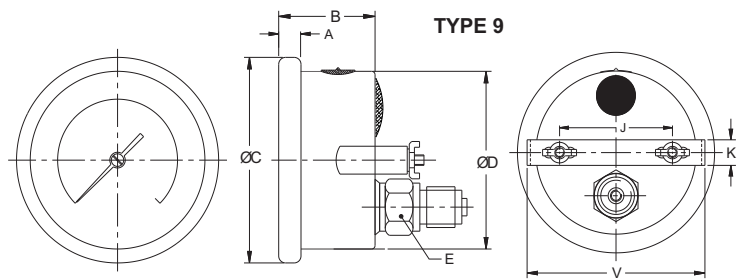
**ROLLING TYPE (OPTION)**

NS	A	B	ØD	ØC	E	Weight in gram (With Box)
100	7	35.5	100	110	A/F 17	410.0



**ROLLING TYPE (OPTION)**

NS	A	B	ØD	ØC	E	S	ØI	ØN	ØU	Weight in gram (With Box)
100	7	35.5	100	110	A/F 17	1	6	134	118	490.0



**ROLLING TYPE (OPTION)**

NS	A	B	ØD	ØC	E	J	K	V	Weight in gram (With Box)
100	7	35.5	100	110	A/F 17	66.5	16	106	500.0

**Range Table**

Note : We offer Pressure, Vacuum and Compound ranges in Scales like kPa, MPa, bar, psi, kg/cm<sup>2</sup> & Dual Scale like kPa with psi, kPa with bar, bar with psi or scales as per the requirement can be provided on request. Following are the example tables for kg/cm<sup>2</sup> & psi scales

**Pressure Range**

**Single scale with kg/cm<sup>2</sup>**

0/1	0/4	0/16	0/60	0/250
0/1.6	0/6	0/25	0/100	0/400
0/2.5	0/10	0/40	0/160	

**Dual scale (psi with kg/cm<sup>2</sup>)**

psi	kg/cm <sup>2</sup>	psi	kg/cm <sup>2</sup>	psi	kg/cm <sup>2</sup>
0/15	1	0/300	20	0/2200	160
0/30	2	0/400	28	0/3000	200
0/60	4	0/500	35	0/4000	280
0/100	7	0/600	40	0/5000	350
0/150	10	0/1000	70	0/6000	400
0/220	16	0/1500	100		

**Range Table**

**Vacuum & Compound Range**

**Dual scale**

inHg with psi	mmHg with kg/cm <sup>2</sup>	inHg with psi	mmHg with kg/cm <sup>2</sup>	inHg with psi	mmHg with kg/cm <sup>2</sup>
- 30/0	- 760 / 0	- 30/60	- 760 / 3	- 30/200	- 760 / 15
- 30/15	- 760 / 1	- 30/100	- 760 / 6	- 30/300	- 760 / 20
- 30/30	- 760 / 2	- 30/150	- 760 / 9	- 30/350	- 760 / 24

**Single scale kg/cm<sup>2</sup>**

- 1/0	- 1/1.5	- 1/5	- 1/15
- 1/0.6	- 1/3	- 1/9	- 1/24

**Ammonia scales (with temperature scale)**

Range ( kg/cm <sup>2</sup> )	Range ( psi )
-1 to 12.5	-30 - 150
-1 to 16	-30 - 300
-1 to 25	0 - 300

**Accessories (Refer Datasheet for complete specifications)**

<b>EB</b> Cooling tower	<b>ED</b> Over load protector (gauge saver)**	<b>EG</b> Snubber
<b>EC</b> Gauge cock	* Needle valve	<b>EH</b> Siphon

\* Refer catalogue for Valves & Manifolds

\*\* For Pressure Ranges.

**How To Order**

**Example**

<b>Basic Model</b>				AV
<b>Code</b>				
<b>Nominal Size</b>	<b>F</b>			X
	100 mm			
<b>Type of Mounting</b>				
<b>1</b> Wall, surface, projection mounting with bottom entry	<b>5</b> Flush panel back entry with front flange			X
<b>2</b> Direct bottom entry	<b>9</b> Back entry with mounting bracket			
<b>3</b> Direct lower back entry				
<b>Gauge Connection</b>				
<b>2BM</b> 1/4" BSP (M)*	<b>2NM</b> 1/4" NPT (M)*	<b>2TM</b> 1/4" BSPT (M)*	XXX	
<b>3BM</b> 3/8" BSP (M)(Standard)	<b>3NM</b> 3/8" NPT (M)*	<b>3TM</b> 3/8" BSPT (M)*		
<b>4BM</b> 1/2" BSP (M)(Standard)	<b>4NM</b> 1/2" NPT (M)(Standard)	<b>4TM</b> 1/2" BSPT (M)*		
<b>* Consult factory for minimum order quantity, price &amp; delivery.</b>				
<b>Note : Connections like Metric/ PT/ PF/ Flaired/ UNF/ G/ R etc can be provided on request.</b>				
<b>Range</b>				0/10 kg/cm <sup>2</sup>
Refer range table				
<b>Options</b>				
<b>PY</b> Dampening liquid glycerine filled	<b>FG</b> Fillable liquid glycerine			XX
<b>PW</b> Five point calibration certificate	<b>ZD</b> Ammonia range (with temperature scale)			
<b>RH</b> Custom designed dial	<b>SQ</b> Case with rolling type bezel			
<b>SG</b> Oxygen service (for dry version)	<b>QB</b> Integral dampening screw (AISI 316 SS)			
<b>SX</b> SS tag plate	<b>RW</b> Plexi glass			

**Ordering Example: AV . X . X . XX . XXX . 0/10kg/cm<sup>2</sup> . XX**

For other optional items, please contact factory for delivery and minimum quantity of order.

Note : specifications and dimensions given in this product catalogue represents the state of engineering at the time of printing.

Modifications may take place and materials specified may be replaced by others without prior notice.