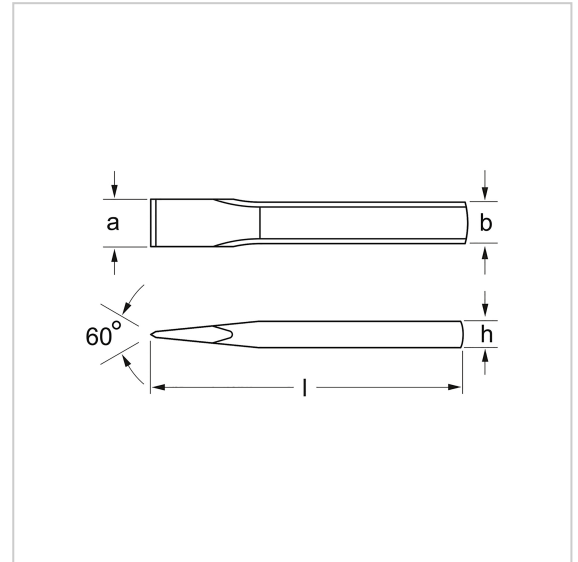
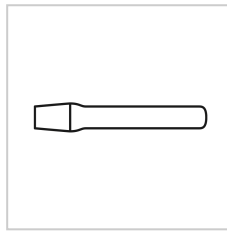


**0714** Flat chisel, DIN 6453, shape A, 18x125 mm, MATADOR item no.: 07140125



**0714** Flat chisel, DIN 6453, shape A, 18x125 mm, MATADOR item no.: 07140125



**Beschreibung:**

Flat chisels. For general and rough chiseling work on masonry, concrete or solid stone. With regrindable cutting edge 47-52 HRC. Hardened end of work. Very high strength due to special chrome-vanadium air hardener steel. Ideal for repairing soft materials. Inductively coated safety impact head. Polished work ends.

**Technische Daten**

Manufacturer-Number: 07140125M

Width: 80 mm

Height: 11 mm

**0714** Flat chisel, DIN 6453, shape A, 18x125 mm, MATADOR item no.: 07140125

**Length:** 130 mm

---

**Weight:** 0.15 kg

---