

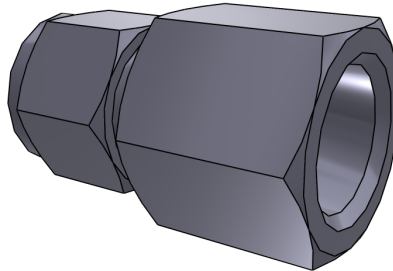


ENGINEERING YOUR SUCCESS.

Parker Hannifin Corporation  
Instrumentation Products Division  
1005 A Cleaner Way  
Huntsville, AL 35805, USA  
Phone: +1 (256) 881-2040  
Fax: +1 (256) 881-5072

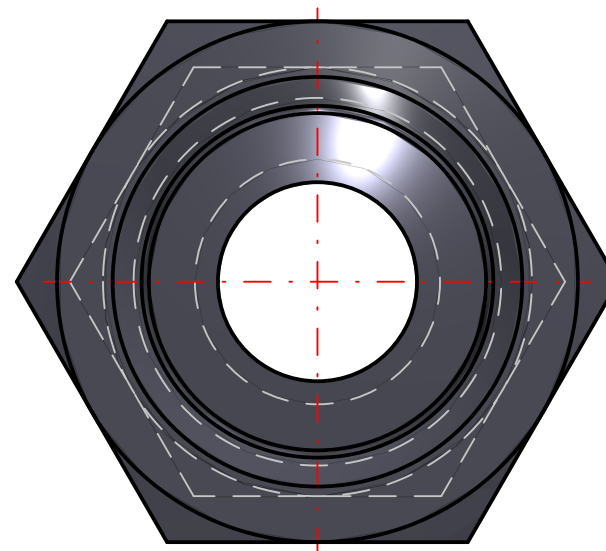
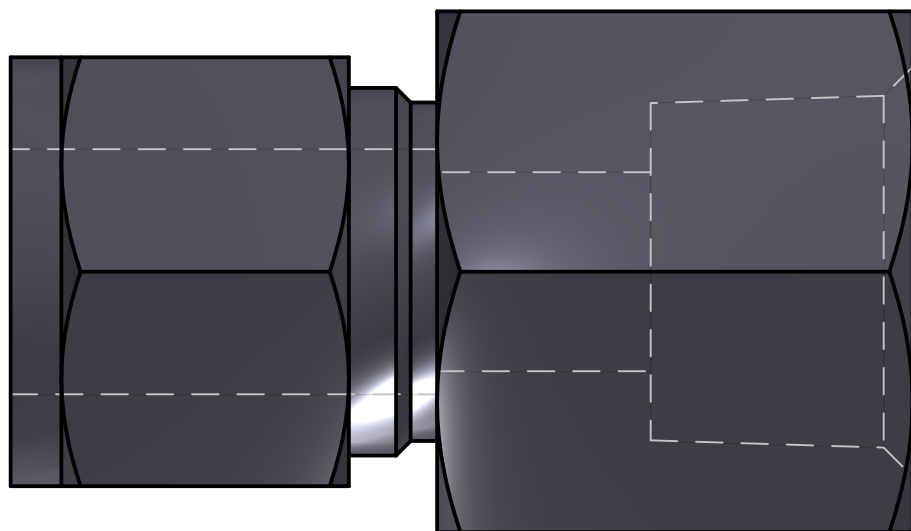
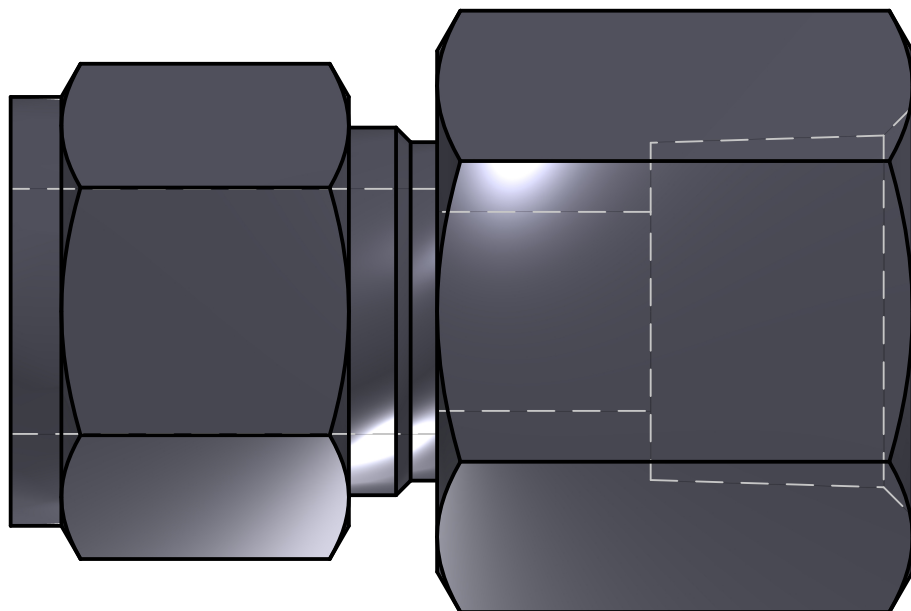
**PARKER Instrumentation Products Division**  
**Parker Tube Fitting, NPT Female Connector - A-LOK Series**

PART Number: 8FSC8N-316



*Interactive 3D graphic, click to activate and rotate  
(3D capable PDF viewer required)*

Technical Data	
Part Number	8FSC8N-316
Series Name	Parker Tube Fitting, NPT Female Connector - A-LOK Series
Series Code	A-LOK NPT Female Connector
Division ID	687516
Division Name	Instrumentation Products Division
Company	Parker Hannifin



**Disclaimer:**

Parker Instrumentation Products has a continuous policy of product development and although the Company reserves the right to change specifications, it attempts to keep customers informed of any alterations. This publication is for general information only and customers are requested to contact our Sales Department for detailed information and advice on a products suitability for specific applications. All products are sold subject to the company's Standard conditions of sale.

8FSC8N-316



Price: contact Parker