



FS-N11N

Fibre Amplifier, Cable Type, Main Unit, NPN



Specifications

| | | |
|---|--|---|
| Model | FS-N11N | |
| Type | Standard 1 output Cable | |
| Output | NPN | |
| Main unit/Expansion unit | Main unit | |
| Control output | 1 NPN open collector 24 V; 1 output max: 100 mA or less; 2 output total: 100 mA or less (used stand-alone)/20 mA or less (multiple connections); residual voltage 1 V or less | |
| Monitor output (1-5 V) | - | |
| External input | | |
| Light source | Red, 4-element LED | |
| APC | ON/OFF switchable (Factory setting: OFF) | |
| Response time | 50 μ s (HIGH SPEED) /250 μ s (FINE) /500 μ s (TURBO) /1 ms (SUPER) /4 ms (ULTRA) /16 ms (MEGA) | |
| Number of interference prevention units | 0 for HIGH SPEED; 4 for FINE; 8 for TURBO/SUPER/ULTRA/MEGA (When set to double, the number of interference-prevention units will be doubled.) | |
| Unit expansion | Up to 16 units can be connected total (two output type is treated as two units) | |
| Rating | Power voltage | 12 to 24 VDC \pm 10 %, Ripple (P-P) 10 % or less |
| | Current Consumption | Normal: 900 mW or less (36 mA max. at 24 V, 48 mA max. at 12 V)* ¹ Eco on mode: 800 mW or less (32 mA max. at 24 V, 39 mA max. at 12 V)* ¹ Eco Full mode: 470 mW or less (19 mA max. at 24 V, 23 mA max. at 12 V) |
| Environmental resistance | Ambient light | Incandescent lamp: 20,000 lux or less, Sunlight: 30,000 lux or less |
| | Ambient temperature | -20 to +55 °C (No freezing)* ² |
| | Relative humidity | 35 to 85 % RH (No condensation) |
| | Vibration resistance | 10 to 55 Hz, Double amplitude 1.5 mm, 2 hours in each of the X, Y, and Z directions |
| | Shock resistance | 500 m/s ² , 3 times in each of the X, Y, and Z directions |
| Case material | Both main unit and expansion unit housing material: Polycarbonate | |
| Weight | Approx. 75 g | |

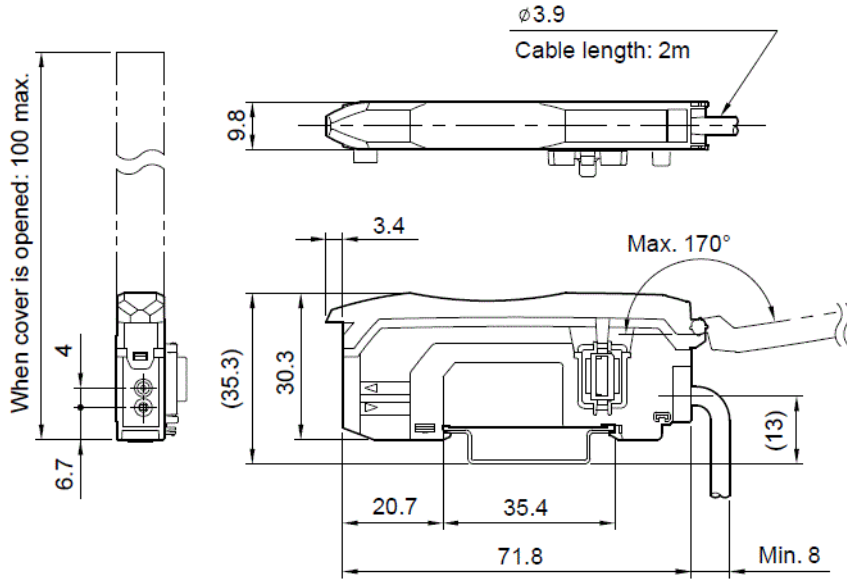
*¹ Increases 100 mW (4.0 mA) for High Speed mode

*² One or two more units connected: -20 to +55 °C; 3 to 10 more units connected: -20 to +50 °C; 11 to 16 more units connected: -20 to +45 °C. When using 2-outputs, one unit is counted as two units. All temperature regulations are for when the unit is mounted on a DIN rail and installed on metal sheeting.

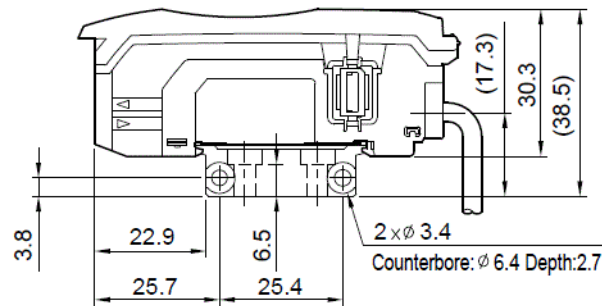
Dimensions

* Download CAD file or product manual for larger image/text and more detail.

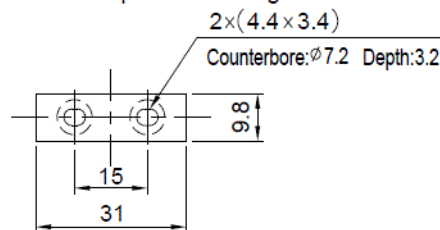
FS-N11N / N11P / N13N / N13P / N11MN



When amplifier mounting bracket (OP-73880) is used



Bottom surface of amplifier mounting bracket



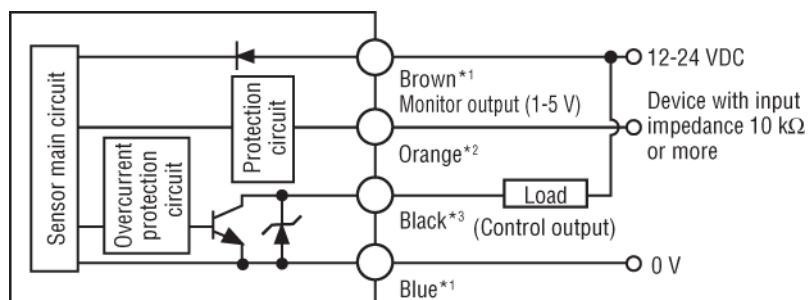
* 1 FS-N11N(P)/N13N(P)/N11MN is not provided with an expansion connector.

* 2 FS-N10 is not provided with cables.

I/O Circuit Connection diagram

* Download CAD file or product manual for larger image/text and more detail.

Output Circuit Diagram



*1 FS-N11N/N11MN/N13N only

*2 FS-N11MN only

*3 The FS-N13N/N14N has a white cable as separate output 2.