

PI2094



Flush pressure sensor with display

PI-010-RES30-MFRKG/US/ IP

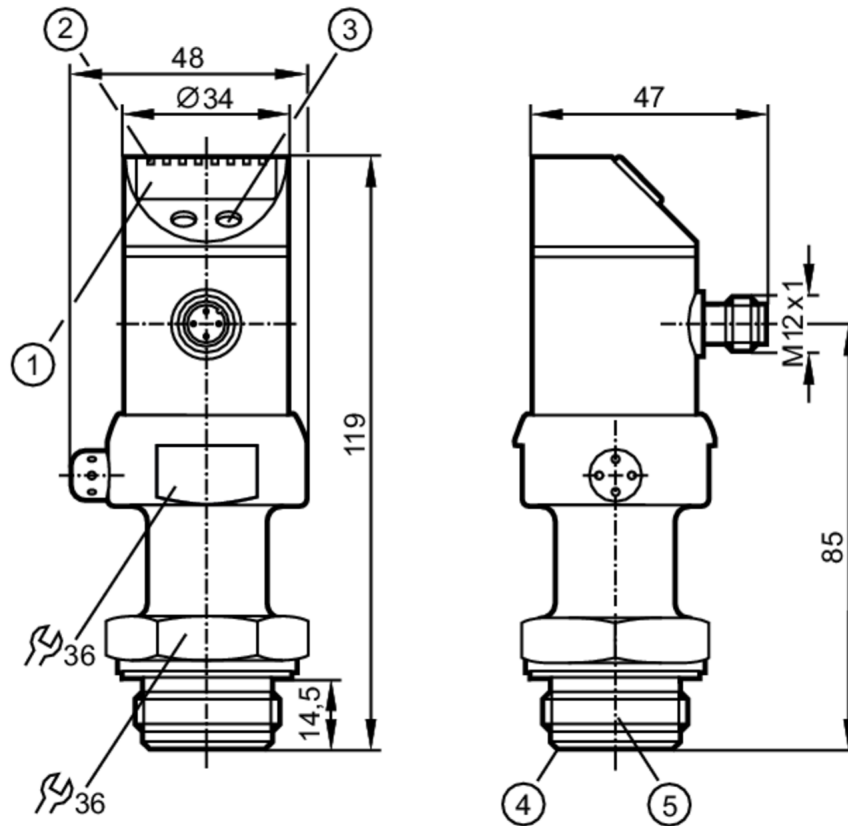
phase-out article

Discontinuation date: 03/31/2024

Alternative articles: PI1004 or PI1704

When selecting an alternative article and accessories please note that technical data may differ!

Please do not use for new projects.
no more adapters available as accessories



- 1 alphanumeric display 4-digit
- 2 status LEDs
- 3 programming button
- 4 Aseptoflex sealing edge
- 5 Aseptoflex thread



EC 1935/2004 EHEDG Tested FCM FDA UK CA

Product characteristics

Number of inputs and outputs	Number of digital outputs: 1; Number of analogue outputs: 1		
Measuring range	-1...10 bar	-14.5...145 psi	-0.1...1 MPa
Process connection	threaded connection Aseptoflex external thread Aseptoflex		

Application

Special feature	Gold-plated contacts
Application	flush mountable for the food and beverage industry
Installation	freely rotatable housing 350°
Media	viscous media and liquids with suspended particles; liquids and gases

PI2094



Flush pressure sensor with display

PI-010-RES30-MFRKG/US/ IP

Medium temperature	[°C]	-25...125; (145 max. 1h)		
Min. bursting pressure		150 bar	2175 psi	15 MPa
Pressure rating		50 bar	725 psi	5 Mpa
Type of pressure		relative pressure		
No dead space		yes		

Electrical data

Operating voltage	[V]	18...32 DC		
Current consumption	[mA]	< 50		
Min. insulation resistance	[MΩ]	100; (500 V DC)		
Protection class		III		
Reverse polarity protection		yes		
Power-on delay time	[s]	0.5		
Integrated watchdog		yes		

Inputs / outputs

Number of inputs and outputs	Number of digital outputs: 1; Number of analogue outputs: 1		
------------------------------	---	--	--

Outputs

Total number of outputs	2		
Output signal	switching signal; analogue signal; (configurable)		
Electrical design	PNP/NPN		
Number of digital outputs	1		
Output function	normally open / normally closed; (parameterisable)		
Max. voltage drop switching output DC	[V]	2	
Permanent current rating of switching output DC	[mA]	250	
Switching frequency DC	[Hz]	6	
Number of analogue outputs	1		
Analogue current output	[mA]	4...20, invertible; (scalable 1:4)	
Max. load	[Ω]	(U _b - 10 V) / 20 mA	
Analogue voltage output	[V]	0...10, invertible; (scalable 1:4)	
Min. load resistance	[Ω]	2000	
Short-circuit protection		yes	
Type of short-circuit protection		pulsed	
Overload protection		yes	

Measuring/setting range

Measuring range	-1...10 bar	-14.5...145 psi	-0.1...1 MPa
Set point SP	-0.98...10 bar	-14.2...145 psi	-0.098...1 MPa
Reset point rP	-1...9.98 bar	-14.5...144.7 psi	-0.1...0.998 MPa
Analogue start point	-1...7.25 bar	-14.5...105.1 psi	-0.1...0.725 MPa
Analogue end point	1.75...10 bar	25.4...145 psi	0.175...1 MPa
In steps of	0.01 bar	0.1 psi	0.001 MPa
Factory setting		SP1 = 2.50 bar	rP1 = 2.30 bar
		ASP = 0.00 bar	AEP = 10.00 bar

Accuracy / deviations

Switch point accuracy	< ± 0,2; (Turn down 1:1)		
-----------------------	--------------------------	--	--



Flush pressure sensor with display

PI-010-RES30-MFRKG/US/ IP

	[% of the span]	
Repeatability	[% of the span]	$< \pm 0,1$; (with temperature fluctuations < 10 K; Turn down 1:1)
Characteristics deviation	[% of the span]	$< \pm 0,2$; (Turn down 1:1 , linearity, incl. hysteresis and repeatability , limit value setting to DIN EN IEC 62828-1)
Linearity deviation	[% of the span]	$< \pm 0,15$; (Turn down 1:1)
Hysteresis deviation	[% of the span]	$< \pm 0,15$; (Turn down 1:1)
Long-term stability	[% of the span]	$< \pm 0,1$; (Turn down 1:1; per year)
Temperature coefficient zero point	[% of the span / 10 K]	$< \pm 0,05$; (0...70 °C)
Temperature coefficient span	[% of the span / 10 K]	$< \pm 0,15$; (0...70 °C)

Response times

Response time	[ms]	< 100
Damping process value dAP	[s]	0.1...100
Damping for the analogue output dAA	[s]	0.1...100
Step response time analogue output	[ms]	25

Software / programming

Parameter setting options	hysteresis / window; normally open / normally closed; switching logic; current/voltage output; Damping; adaptation of displayed values; display can be rotated and switched off; Display unit; zero point; span
---------------------------	---

Operating conditions

Ambient temperature	[°C]	-25...80
Storage temperature	[°C]	-40...100
Protection		IP 67; IP 69K

Tests / approvals

EMC	EN 61000-4-2 ESD	4 kV CD / 8 kV AD
	EN 61000-4-3 HF radiated	10 V/m
	EN 61000-4-4 Burst	2 kV
	EN 61000-4-5 Surge	0,5/1 kV
	EN 61000-4-6 HF conducted	10 V
Shock resistance	DIN IEC 68-2-27	50 g (11 ms)
Vibration resistance	DIN IEC 68-2-6	20 g (10...2000 Hz)
MTTF	[years]	173

Mechanical data

Weight	[g]	411.5
Materials		stainless steel (1.4404 / 316L); PC; PBT; PEI; FKM; PTFE
Materials (wetted parts)		ceramics (99.9 % Al ₂ O ₃); stainless steel (1.4435 / 316L); surface characteristics: Ra $< 0,4$ / Rz 4; PTFE
Min. pressure cycles		100 million
Process connection		threaded connection Aseptoflex external thread Aseptoflex

PI2094



Flush pressure sensor with display

PI-010-RES30-MFRKG/US/ IP

Displays / operating elements		
Display	Display unit	4 x LED, green
	switching status	LED, yellow
	function display	alphanumeric display, 4-digit
	measured values	alphanumeric display, 4-digit
Display unit	bar; psi; MPa; % of the span	
Remarks		
Remarks	The 3-A qualification is only valid if adapters with 3-A qualification are used for installation.	
Notes	Please do not use for new projects.; no more adapters available as accessories	
Pack quantity	1 pcs.	

Electrical connection

Connector: 1 x M12; coding: A; Contacts: gold-plated



Connection



OUT1 switching output
 OUT2 analogue output