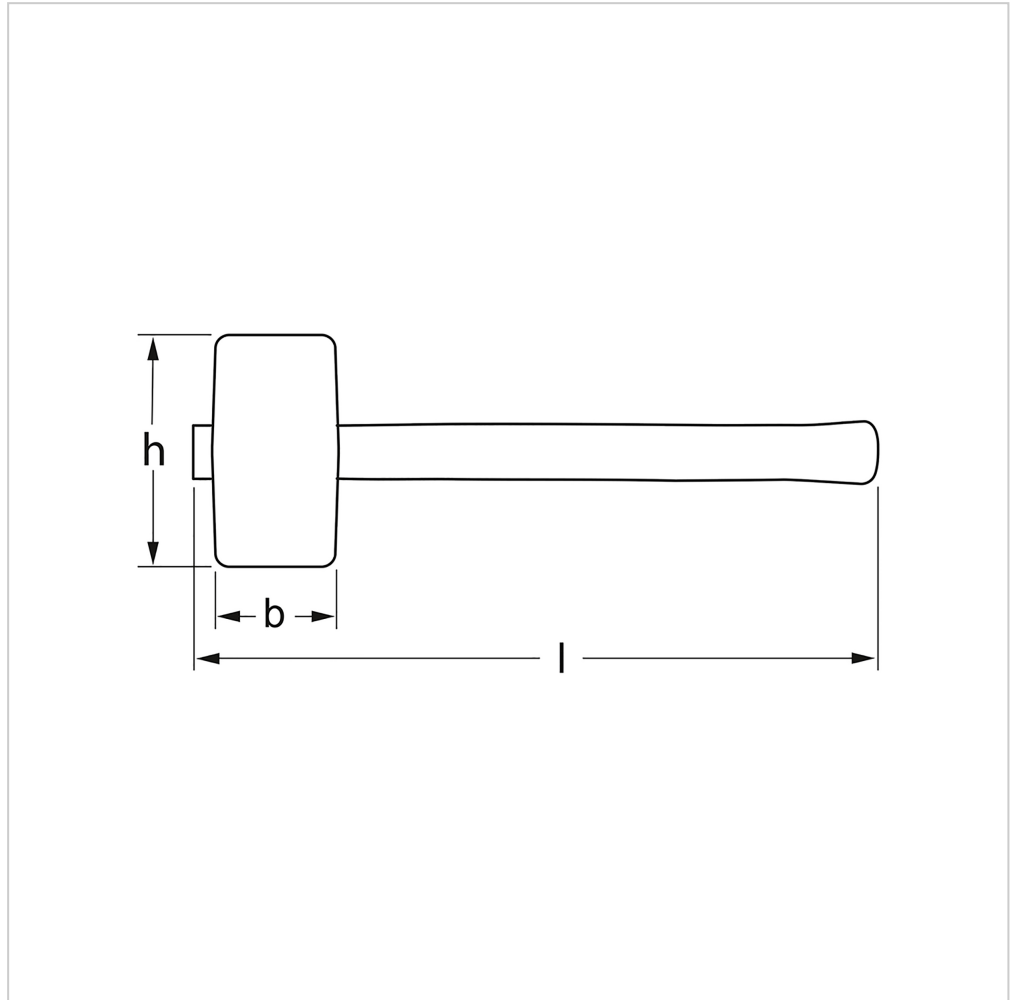
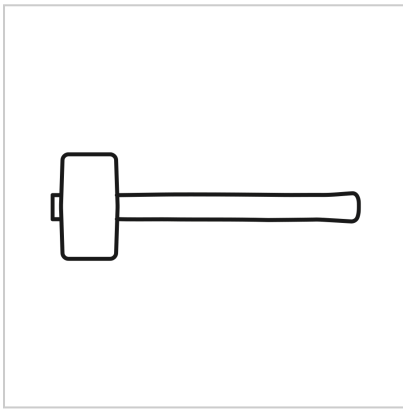


0738 Rubber mallet, DIN 5128 A, straight, 520 g, 115x65 mm, MATADOR item no.: 07380002



0738 Rubber mallet, DIN 5128 A, straight, 520 g, 115x65 mm, MATADOR item no.: 07380002



Beschreibung:

Rubber mallet, soft. Ideal for joining and straightening sensitive workpieces and materials whose surfaces must not be damaged, e.g. sheet metal, tiles, natural stone slabs, etc.. Soft design according to DIN 512860. 60 Shore D hardness. With two flat lanes. Double curly ash stem.

0738 Rubber mallet, DIN 5128 A, straight, 520 g, 115x65 mm, MATADOR item no.: 07380002

Technische Daten

Manufacturer-Number: 07380001M

EAN: 4040674125209

Weight: 0.3 kg
