

Fiber Optic, Patch cords & Pigtails

Features and benefits

- Available with all fiber optic connector types
- High quality ferrules and housings
- Low insertion loss and high return loss
- Individual test results and traceability number
- Mating Durability: 1000 cycles; <0.2 dB change
- IEC, EIA/TIA and GR-326-CORE compliant
- Customized on request



Description

Opterna offers high performance patchcords and pigtails for use in all types of fiber optic networks. The Opterna patchcords & pigtails are manufactured using state-of-the-art controlled manufacturing processes to operate over the full range of singlemode and multimode wavelengths.

Opterna patchcords and pigtails are terminated with high quality connectors, which provide low insertion loss and high return loss. Each patchcord or pigtail is individually tested and supplied with test certificates. The unique serial number provides traceability of every single product. Available in all types of singlemode and multimode fiber types

Technical data

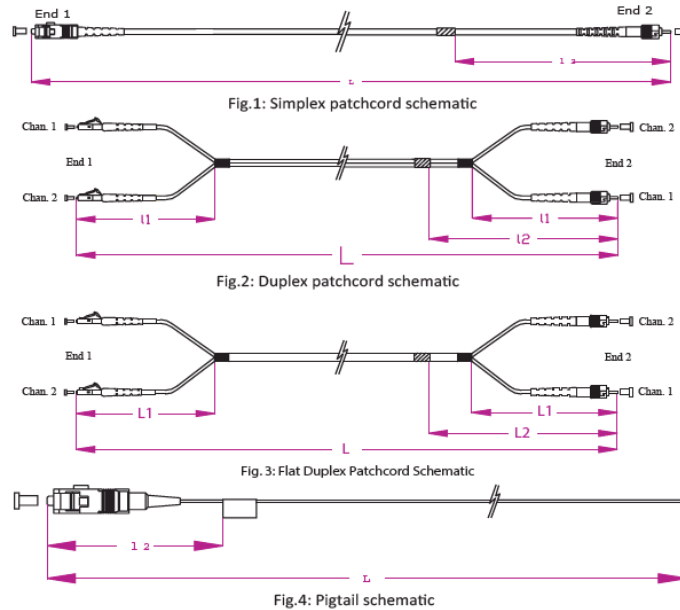
Optical data	Value
Fiber type	OS2, G657A1, G657A2, G657B2, G657B3, OM1, OM2, OM3, OM4
Connector Insertion Loss*	≤0.3dB for SC, LC, FC, ST, E2000; ≤0.7dB for MTRJ
Connector Return Loss*	≥50dB UPC, ≥60dB APC

*Different specifications available on request

Environmental data

Description	Value
Operating temperature	-40C to +85C
Free of halogen	Yes (when LSZH cable is specified)
2011/65/EC RoHS	Fully compliant

Technical Drawing



Ordering information

CA

- 1
- 2
- 3
- 4
- 5
- 6
- 7
- 8
- 9
- 10

<p>1. Connector A ST = ST connector SC = SC connector SD = SC duplex FC = FC connector LC = LC connector LD = LC duplex MD = MU duplex E2 = E2000 MT = MTRJ FD = FDDI ES = ESCON SMA = SMA SS = Shuttered SC</p>	<p>3. Cable diameter 12 = 1.2mm 16 = 1.6mm 18 = 1.8mm 20 = 2.0mm 28 = 2.8mm 02 = 250um 09 = 900um</p>	<p>5. Cable type SX = Simplex DX = Duplex FD = Flat duplex TB = Tight buffered ES = Easy strip LT = Loose tube</p>	<p>E2 = E2000 MT = MTRJ FD = FDDI ES = ESCON SMA = SMA SS = Shuttered SC Blank for pigtail</p>
<p>2. Connector A finish P = PC U = UPC A = APC</p>	<p>4. Fiber type OM1 = OM1 OM2 = OM2 OM3 = OM3 OM4 = OM4 OS2 = SM G652D 7A1 = SM G657A1 7A2 = SM G657A2 7B2 = SM G657B2 7B3 = SM G657B3 655 = SM G655 656 = SM G656</p>	<p>6. Material L = LSZH V = PVC R = Riser P = Plenum</p>	<p>8. Connector B finish P = PC U = UPC A = APC Blank for pigtail</p>
	<p>7. Connector B ST = ST connector SC = SC connector SD = SC duplex FC = FC connector LC = LC connector LD = LC duplex MD = MU duplex</p>	<p>9. Cable length 010 = 1.0m 015 = 1.5m 150 = 15.0m</p>	<p>10. Cable colour BL = Blue YL = Yellow WH = White OR = Orange AQ = Aqua HV = Heather Violet</p>