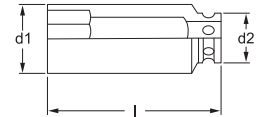


Impact Sockets, long type

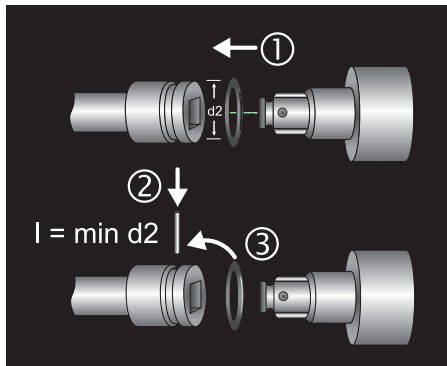


- Suitable for all standard electric and air tools
- With square drive as per DIN 3121 - G 12.5 / ISO 1174
- Suitable for hexagon head screws
- With 6-point profile
- With MATADOR SmartDrive Profile

- Standards: DIN 3129 / ISO 2725-2
- Material: Chrome-Molybdenum
- Finish: black phosphated



Art. Code	mm	l mm	d1 mm	d2 mm	g
7481 0100	10	78,0	17,5	24	125
7481 0110	11	78,0	18,5	24	125
7481 0120	12	78,0	19,5	24	135
7481 0130	13	78,0	20,5	24	135
7481 0140	14	78,0	22,0	24	140
7481 0150	15	78,0	24,0	24	145
7481 0160	16	78,0	24,0	24	170
7481 0170	17	78,0	26,0	26	180
7481 0180	18	78,0	28,0	28	185
7481 0190	19	78,0	28,0	28	195
7481 0200	20	78,0	30,0	30	220
7481 0210	21	78,0	30,0	30	220
7481 0220	22	78,0	32,0	30	240
7481 0240	24	78,0	34,0	30	260
7481 0270	27	78,0	38,0	30	300
7481 0300	30	78,0	42,0	30	360
7481 0320	32	78,0	44,0	30	400
7481 0330	33	78,0	46,0	30	440
7481 0340	34	78,0	46,0	30	480



Assignment of impact tools and retaining rings and pins

Impact Socket Set, 13 pcs.



- Set including the most common impact -sockets, long type
- With square drive as per DIN 3121 - G 12.5 / ISO 1174
- Suitable for hexagon head screws
- With 6-point profile
- With MATADOR SmartDrive Profile
- Including compatible safety rings and pins
- With MTS soft foam inlay
- In robust metal case



Art. Code	g
7481 9001	2100
7481 0-13-15-17-18-19 21-22-24 mm	1
7499 1x 10-14 - 1x 15-32 1x 10-14 - 1x 15-32	

METAL