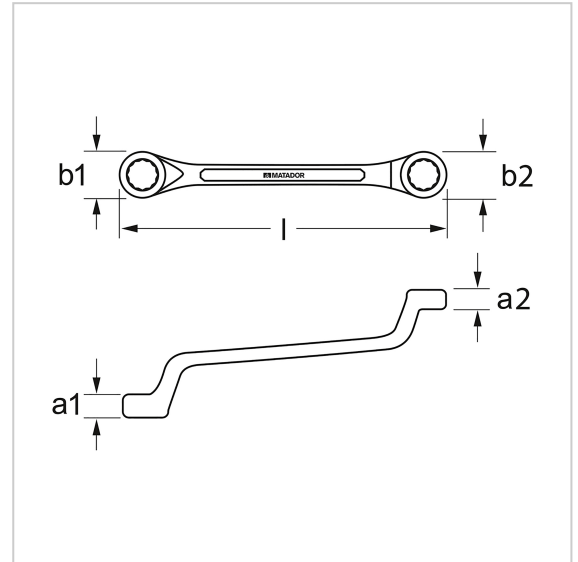
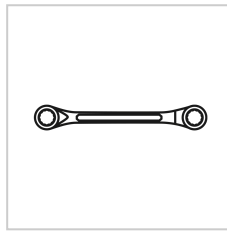


0200 Double-ended ring spanner, DIN 838, 7/16x1/2" AF, MATADOR Item No.: 02008003



0200 Double-ended ring spanner, DIN 838, 7/16x1/2" AF, MATADOR Item No.: 02008003



Beschreibung:

Double-ended ring spanner, long shape for more power.

Ring sides cranked for **deep screw connections**. Two dimensions per spanner. For hexagonal screw connections. Proven, durable **industrial quality** since 1900. Torque values **up to 70 %** above DIN for additional safety. Made of chrome vanadium steel (**31CrV3**), with matt chrome-plated surface for comfortable grip even with oily hands. DIN 838 / ISO 10104. With MATADOR **smartDrive** profile for optimum force development, protects screw and nut heads by transmitting force to the flanks.

Technische Daten

0200 Double-ended ring spanner, DIN 838, 7/16x1/2" AF, MATADOR Item No.: 02008003

Manufacturer-Number: 02008000M

Width: 10 mm

Height: 22 mm

Length: 174 mm

Weight: 0.055 kg
