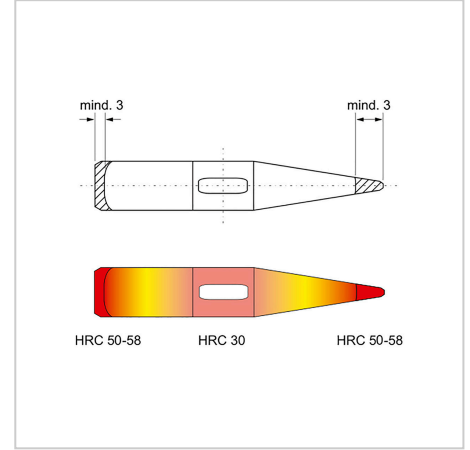
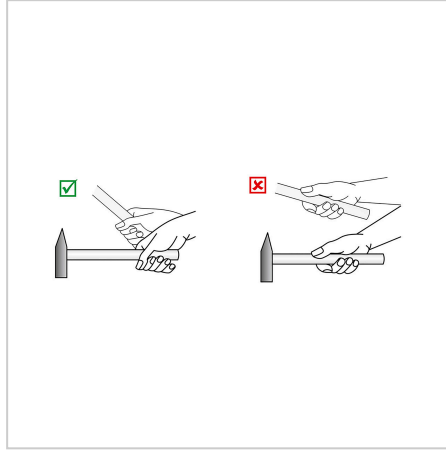


**0705** Engineer's Hammers, MATADOR 0705



**0705** Engineer's Hammers, MATADOR 0705



**Beschreibung:**

**Engineer's Hammers**

German pattern. Forged hammer head. Induction hardened. Sideways smoothed and epoxy powdered. Handle fixed with round steel wedge and resin. With safety collar (tapered).

**Technische Daten**

**Manufacturer-Number:** 07050500M

**EAN:** 4040674123533

**0705** Engineer's Hammers, MATADOR 0705