

Low Voltage
Catalogue | 2016

Masterpact NT and NW

LV power circuit breakers
and switch-disconnectors



Life Is On

Schneider
Electric



Green Premium™

Endorsing eco-friendly products in the industry



Green Premium™ Product

Green Premium is the only label that allows you to effectively develop and promote an environmental policy whilst preserving your business efficiency. This ecolabel guarantees compliance with up-to-date environmental regulations, but it does more than this.

Over 75% of Schneider Electric manufactured products have been awarded the Green Premium ecolabel



Discover what we mean by green

Check your products!

Schneider Electric's Green Premium ecolabel is committed to offering transparency, by disclosing extensive and reliable information related to the environmental impact of its products:

RoHS

Schneider Electric products are subject to RoHS requirements at a worldwide level, even for the many products that are not required to comply with the terms of the regulation. Compliance certificates are available for products that fulfil the criteria of this European initiative, which aims to eliminate hazardous substances.

REACH

Schneider Electric applies the strict REACH regulation on its products at a worldwide level, and discloses extensive information concerning the presence of SVHC (Substances of Very High Concern) in all of these products.

PEP: Product Environmental Profile

Schneider Electric publishes complete set of environmental data, including carbon footprint and energy consumption data for each of the lifecycle phases on all of its products, in compliance with the ISO 14025 PEP ecopassport program. PEP is especially useful for monitoring, controlling, saving energy, and/or reducing carbon emissions.

EoLI: End of Life Instructions

Available at the click of a button, these instructions provide:

- Recyclability rates for Schneider Electric products.
- Guidance to mitigate personnel hazards during the dismantling of products and before recycling operations.
- Parts identification for recycling or for selective treatment, to mitigate environmental hazards/ incompatibility with standard recycling processes.

Masterpact NT and NW

The standard for power circuit breakers around the world.

Over the years, other major manufacturers have tried to keep up by developing products incorporating Masterpact's most innovative features, including the breaking principle, modular design and the use of composite materials.

In addition to the traditional features of power circuit breakers (withdrawability, discrimination and low maintenance), Masterpact NT and NW ranges offer built-in communications and metering functions, all in optimised frame sizes.

Masterpact NT and NW incorporate the latest technology to enhance both performance and safety. Easy to install, with user-friendly, intuitive operation and environment-friendly design, Masterpact NT and NW are, quite simply, circuit breakers of their time.



Covering all your applications

Masterpact meets the needs of all types of LV electrical distribution networks.



Building

- > Hotels
- > Hospitals
- > Offices
- > Retail



Data Centres and Networks



Industry

- > Mining and minerals
- > Automotive
- > Food and beverage
- > Chemical industry



Energy and Infrastructures

- > Airports
- > Oil and gas
- > Water
- > Electrical energy
- > Marine

An answer to specific applications

- > 1000 V for mining applications
- > Direct current networks
- > Corrosion protection
- > Switch-disconnectors and earthing switches
- > Automatic transfer switching equipment (ATSE) for emergency power systems
- > High electrical endurance applications: Masterpact NT H2 is a high performance device offering high breaking capacity (Icu: 50 kA/480 V) and a high level of discrimination, all in a small volume.

Whenever high short circuit is involved

Masterpact UR is a low voltage ultra rapid opening circuit breaker. Its fault detection rate and its reaction speed mean that it will stop a short circuit from developing. As a result, this is the key component in very high power installations equipped with a number of power sources connected in parallel.

Masterpact UR truly comes into its own when short circuit currents can reach very high levels and when continuity of service is a must: **offshore installations, cement plants, petrochemical industry**. It is also especially suited to electrical installations on board merchant.



All standards

Masterpact is compliant with international standards IEC 60947-1 and 2, IEC 68230 for type 2 tropicalisation, UL489, ANSI, UL1066, CCC and GOST.

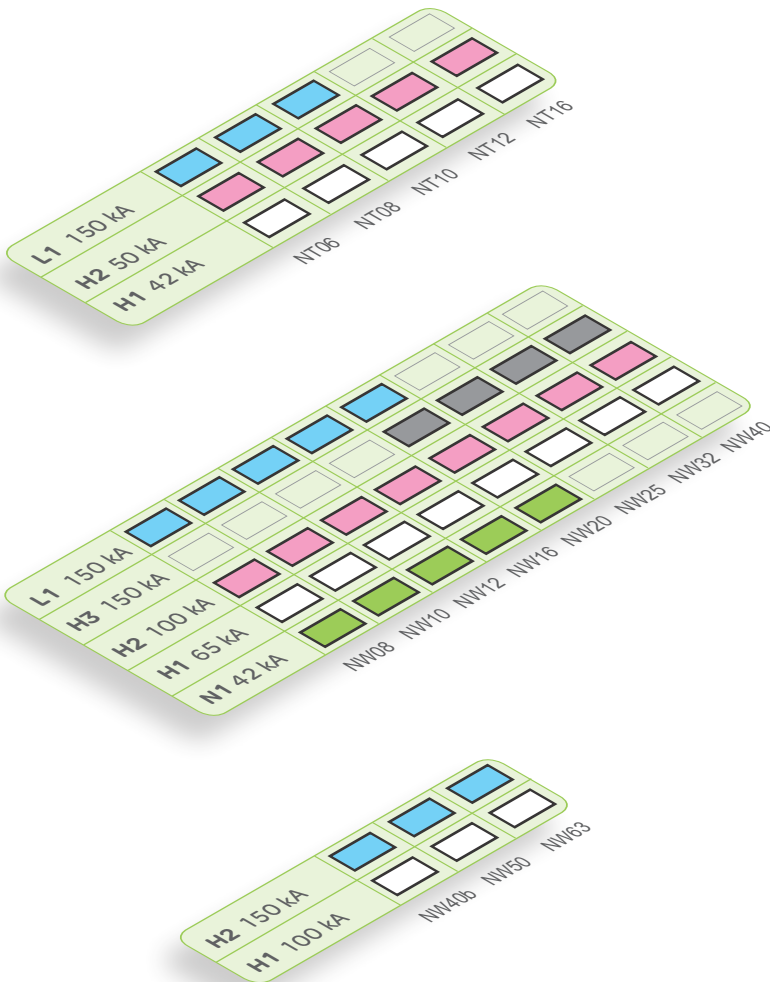
Two families and three frame sizes

The range of power circuit breakers includes two families:

- > Masterpact NT, the world's smallest true power circuit breaker, with ratings from 630 to 1600 A
- > Masterpact NW, in two frame sizes, one from 800 to 4000 A and the other from 4000 to 6300 A.

5 performance levels

- > N1 - for standard applications with low short-circuit levels.
- > H1 - for industrial sites with high short-circuit levels or installations with two parallel-connected transformers.
- > H2 - high-performance for heavy industry where very high short-circuits can occur.
- > H3 - for incoming devices supplying critical applications requiring both high performance and a high level of discrimination.
- > L1 - for high current-limiting capability and a discrimination level (37 kA) as yet unequalled by any other circuit breaker of its type; intended for the protection of cable-type feeders or to raise the performance level of a switchboard when the transformer power rating is increased.



3 sizes:



Masterpact NT 630 to 1600 A



Masterpact NW 800 to 4000 A



Masterpact NW 4000 to 6300 A

Optimised volumes and ease of installation

Aiming at standardising electrical switchboards at a time when installations are increasingly complex, Masterpact provides an unequalled simplicity, both concerning choice and installation.

The smallest circuit breaker in the world

Masterpact NT innovates by offering all the performance of a power circuit breaker in an extremely small volume. The 70 mm pole pitch means a three-pole drawout circuit breaker can be installed in a switchboard section 400 mm wide and 400 mm deep.

Maximum security

The arc chutes absorb the energy released during breaking, thus limiting the stresses exerted on the installation. They filter and cool the gases produced, reducing effects perceptible from the outside.

Optimised volumes

Up to 4000 A, Masterpact NW circuit breakers are all the same size, the same as the old M08 to 32 range. From 4000 to 6300 A, there is just one size.

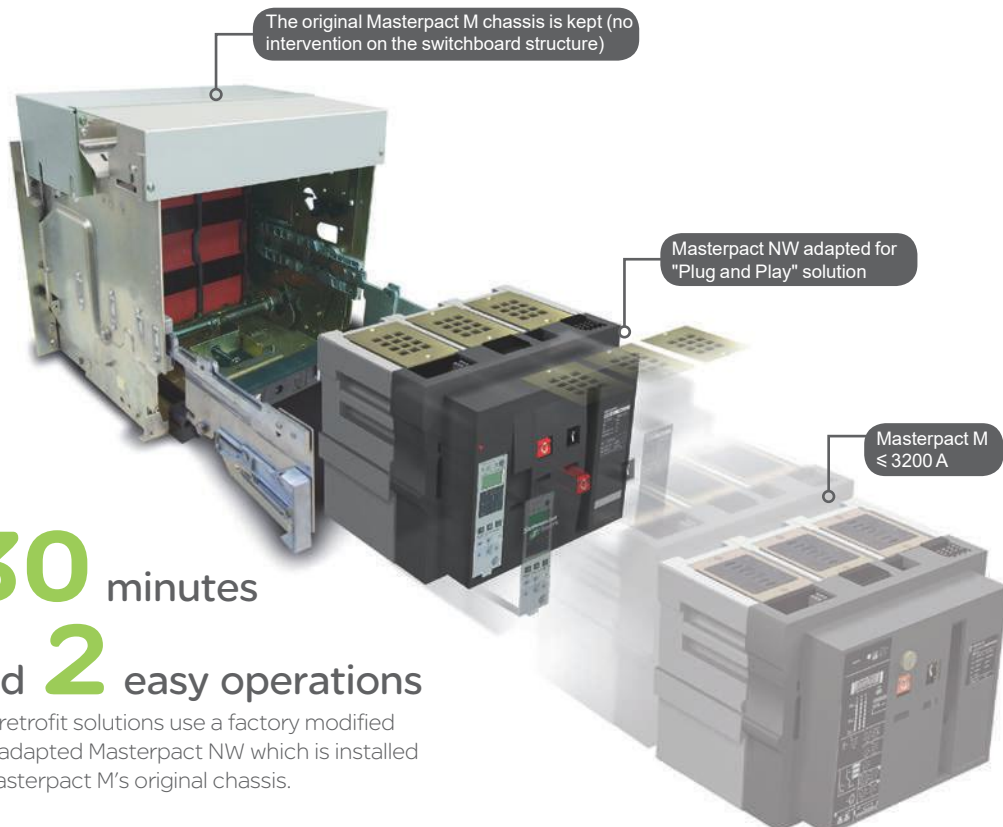
More than

60

patents are used to design Masterpact

Retrofit solutions

- > Special connections terminals are available to replace a fixed or a drawout Masterpact M08 to 32 with a Masterpact NW, without modifying the busbars or the door cut-out.
- > "Plug and Play" retrofit solution: this solution enables retrofitting of Masterpact M units with considerably reducing on-site intervention time and getting the performance of last generation device.



30 minutes
and **2** easy operations

The retrofit solutions use a factory modified and adapted Masterpact NW which is installed in Masterpact M's original chassis.

Standardisation of the switchboard

With optimised sizes, the Masterpact NT and NW ranges simplify the design of switchboards and standardise the installation of devices:

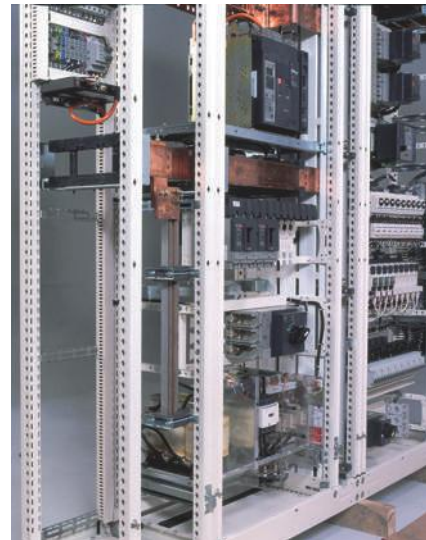
- > a single connection layout for Masterpact NT
- > three connection layouts for Masterpact NW:
 - one from 800 to 3200 A
 - one for 4000 A
 - one up to 6300 A
- > horizontal or vertical rear connections can be modified on-site by turning the connectors 90° or they can even be replaced by front connection terminals
- > identical connection terminals for the fixed or draw-out version for each rating (Masterpact NW)
- > front connection requires little space because the connectors not increase the depth of the device.



Practical installation solutions

The Masterpact NW range further improves the installation solutions that have built the success of its predecessors:

- > incoming connection to top or bottom terminals
 - > no safety clearance required
 - > connection:
 - horizontal or vertical rear connection
 - front connection with minimum extra space
 - mixed front and rear connections
- 115 mm pole pitch on all versions
- > no derating up to 55 °C and 4000 A.



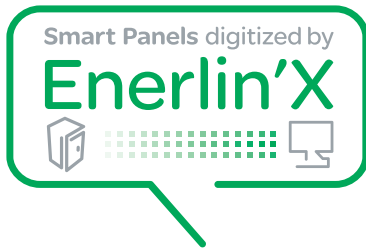
Compliance with environmental requirements

The materials used for Masterpact are not potentially dangerous to the environment and are marked to facilitate sorting for recycling.

Production facilities are non-polluting in compliance with the ISO 14001 standard.

Energy management has never been simpler

Simple-to-install Smart Panels connect your building to real savings
in 3 steps



1 Measure

Embedded and stand-alone metering & control capabilities

2 Connect

- > Integrated communication interfaces
- > Ready to connect to energy management platforms

3 Save

- > Data-driven energy efficiency actions
- > Real time monitoring and control
- > Access to energy and site information through on-line services



Smart Panels connect you to energy savings



1 MEASURE

"Smart Panels" mean visible information

Grouping most of the electrical protection, command and metering components, the switchboards are now significant sources of data locally displayed and sent via communication networks.

2 CONNECT

... and ready to be linked to expertise

Smart Panels use reliable, simple to install and use displays, and Ethernet and Modbus interfaces on the Enerlin'X communication system.

Information is safely transmitted through the most efficient networks:

- Modbus SL inside switchboards, between components
- Ethernet, on cable or WiFi, inside the building and connecting switchboards, computers,
- Ethernet on DSL or GPRS, for access to on-line services by Schneider Electric.

Energy experts, wherever they are, are now able to provide advises based on permanently updated data of the building.

3 SAVE



On-site real time monitoring and control

On a touch screen display connected to Ethernet

- shows essential electrical information and alarms concerning the electrical network,
- allows control (open, close, reset...) of various equipments.

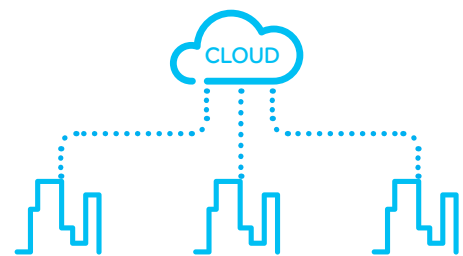
This touch screen is well appreciated for real time value checking and control, directly on the front panel of the main switchboard.

On a PC display with common browser

- shows monitoring web pages hosted into the local Ethernet interface,
- alarm events generate automatic email notifications,
- allows control (open, close, reset...) of various equipments.

Data displayed on graphics or recorded into files are of a great interest for optimizing the use of energy in the building.

As an example, they definitely help validating the change of temperature settings, time scheduling in a Building Management System or other automated devices.



On-line Energy Management services

StruXureWare Energy Operation

automates data collection via an open, scalable, and secure energy management information system.

With the help of the Schneider Electric energy management services team, data is then turned into actionable information to enable customers to understand their facilities' performance on an ongoing basis.

Energy Operation leverages companies' current investments in their existing systems, and can be used to communicate advanced results and performance to a broad audience for a shared understanding throughout an organization.

Keep your Masterpact NT/NW features year after year by performing requested maintenance

To maintain Masterpact's operating and safety characteristics from the beginning to the end of its service life, Schneider Electric requests that systematic checks and periodic maintenance be carried out by qualified personnel, as indicated in the **"Masterpact Maintenance Guide"**.

The Maintenance Guide defines 3 types of maintenance:



- > the **corrective maintenance** repairs a system in view of fulfilling a required function
- > the **preventive maintenance** consists in carrying out, at predetermined intervals, checks intended to reduce the probability of a failure or deterioration in the operation of a system
- > the **predictive maintenance**, based on the recording and analysis of system parameters, is the means to detect drift from the initial state and significant trends. Using predictive maintenance makes possible to anticipate on the corrective action required to ensure equipment safety and continuity of service, and plan the action for the most convenient time.



The Maintenance Guide is available on Internet (www.schneider-electric.com) and provides detailed information on:

- > the types of maintenance required, depending on the criticality of the protected circuit
- > the risks involved if the component ceases to operate correctly
- > what is understood by the terms normal, improved and severe environment and operating conditions
- > the periodic preventive maintenance operations that should be carried out under normal environment and operating conditions as well as the level of competence required for the operations
- > the environment and operating conditions that accelerate device ageing.



	Presentation	2
	Functions and characteristics	A-1
	Installation recommendations	B-1
	Dimensions and connections	C-1
	Electrical diagrams	D-1
	Additional characteristics	E-1
	Catalogue numbers and order form	F-1

This overview describes all the functions offered by Masterpact NT and NW devices. The two product families have identical functions implemented using the same or different components depending on the case.

Circuit breakers and switch-disconnectors

> page A-2



- Ratings:
 - Masterpact NT 630 to 1600 A
 - Masterpact NW 800 to 6300 A.
- Circuit breakers type N1, H1, H2, H3, L1.
- Switch-disconnectors type NA, HA, HF, HH.
- 3 or 4 poles.
- Fixed or drawout versions.
- Option with neutral on the right.
- Protection derating.

Micrologic control units

> page A-8



- Ammeter A and Energy E**
- 2.0 basic protection
 - 5.0 selective protection
 - 6.0 selective + earth-fault protection
 - 7.0 (1) selective + earth-leakage protection

- Power meter P**
- 5.0 selective protection
 - 6.0 selective + earth-fault protection
 - 7.0 selective + earth-leakage protection

- Harmonic meter H**
- 5.0 selective protection
 - 6.0 selective + earth-fault protection
 - 7.0 selective + earth-leakage protection
 - External sensor for earth-fault protection.
 - Rectangular sensor for earth-leakage protection.
 - Setting options (long-time rating plug):
 - low setting 0.4 to 0.8 x Ir
 - high setting 0.8 to 1 x Ir
 - without long-time protection.
 - External AD power-supply module.
 - Battery module.

(1) Only for ammeter A.

Power meter functions

> page A-20



Masterpact equipped with Micrologic 2 / 5 / 6 / 7 trip units offer type A (ammeter) or E (energy) metering functions as well as communication. Using Micrologic sensors and intelligence, Masterpact provides access to measurements of all the main electrical parameters on the built-in screen, on a dedicated FDM display unit or via the communication system.

Operating assistance functions

> page A-22



Integration of measurement functions provides operators with operating assistance functions including alarms tripped by user-selected measurement values, time-stamped event tables and histories, and maintenance indicators.

Switchboard display unit functions

> page A-24

The main measurements can be read on the built-in screen of Micrologic 2 / 5 / 6 / 7 trip units. They can also be displayed on the FDM switchboard display unit along with pop-up windows signalling the main alarms.

Communication

> page A-32

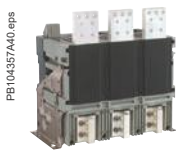


- COM option in Masterpact.
- Masterpact in a communication network.
- IFM: Modbus interface module.
- IFE: Ethernet interface module.
- I/O application module.
- Electrical Asset Manager.





PB104347A55.eps



PB104357A40.eps



PB104382A30.eps

Connections

> page A-46

- Rear connection (horizontal or vertical).
- Front connection.
- Mixed connections.
- Optional accessories:
 - bare-cable connectors and connector shields
 - terminal shields
 - vertical-connection adapters
 - cable-lug adapters
 - interphase barriers
 - spreaders
 - disconnectable front-connection adapter
 - safety shutters, shutter locking blocks, shutter position indication and locking.



PB100810-32.eps



PB100812-32.eps

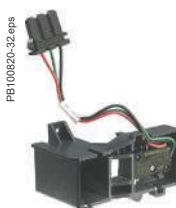
Locking

> page A-50

- Pushbutton locking by padlockable transparent cover.
- OFF-position locking by padlock or keylock.
- Chassis locking in disconnected position by keylock.
- Chassis locking in connected, disconnected and test positions.
- Door interlock (inhibits door opening with breaker in connected position).
- Racking interlock (inhibits racking with door open).
- Racking interlock between crank and OFF pushbutton.
- Automatic spring discharge before breaker removal.
- Mismatch protection.



PB100807-20.eps



PB100820-32.eps

Indication contacts

> page A-52

- Standard or low-level contacts:
 - ON/OFF indication (OF)
 - "fault trip" indication (SDE)
 - carriage switches for connected (CE) disconnected (CD) and test (CT) positions.
- Programmable contacts:
 - 2 contacts (M2C)
 - 6 contacts (M6C).



PB100809-16.eps



PB100776-42.eps



PB104382A32.eps

Remote operation

> page A-54

- Remote ON/OFF:
 - gear motor
 - XF closing or MX opening voltage releases
 - PF ready-to-close contact
- options:
 - RAR automatic or RES electrical remote reset
 - BPF electrical closing pushbutton.
- Remote tripping function:
 - MN voltage release
 - standard
 - adjustable or non-adjustable delay
 - or second MX voltage release.

Accessories

> page A-58

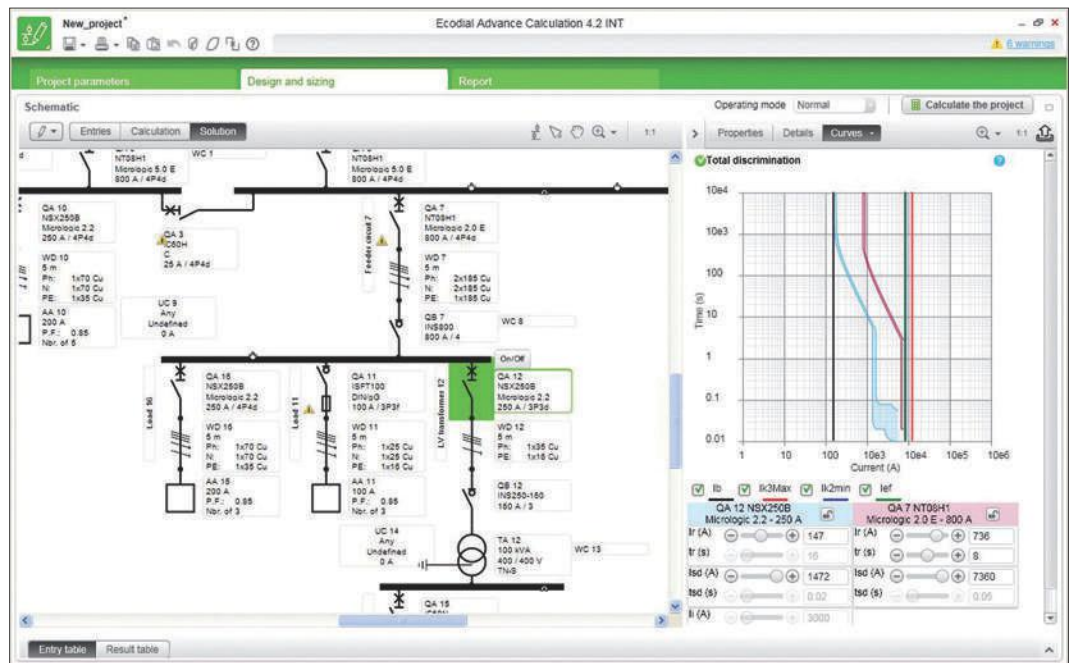
- Auxiliary terminal shield.
- Operation counter.
- Escutcheon.
- Transparent cover for escutcheon.
- Escutcheon blanking plate.

Ecodial

Ecodial software is dedicated to LV electrical installation calculation in accordance with the IEC60364 international standard or national standards.

This 4th generation, "Ecodial Advance Calculation 4", offers a new ergonomic and new features:

- operating mode that allows easy calculation in case of installation with different type of sources (parallel transformers, back-up generators...)
- discrimination analysis associating curves checking and discrimination tables
- direct access to protection settings including residual current protections
- easy selection of alternate solutions or manual selection of a product.



Circuit breakers and switch-disconnectors	
NT06 to NT16 and NW08 to NW63	A-2
Circuit breakers and switch-disconnectors characteristics	
NT06 to NT16	A-4
NW08 to NW63	A-6
Micrologic control units	
Overview of functions	A-8
Micrologic A “ammeter”	A-10
Micrologic E “energy”	A-12
Micrologic P “power”	A-14
Micrologic H “harmonics”	A-18
Power Meter functions	
Micrologic A/E/P/H control unit with COM option (BCM ULP) and COM Ethernet gateway	A-20
Operating-assistance functions	
Micrologic A/E/P/H control unit with COM option (BCM ULP)	A-22
Switchboard-display functions	A-24
Micrologic A/E/P/H control unit with COM Ethernet gateway	A-26
Micrologic control units	
Accessories and test equipment	A-28
Enerlin’X communication system	
Products overview	A-30
Communication	
Communication wiring system	A-32
Overview of functions	A-33
COM option in Masterpact	A-34
Communication architecture	A-35
IFE Ethernet interface	A-36
IFM Modbus communication interface	A-38
I/O application module	A-40
Connection of the IFE to a fixed or drawout Masterpact NT/NW	A-42
Electrical Asset Manager Configuration Engineering tool	A-44
Mounting Versions and Connections	
Overview of solutions	A-46
Accessories	A-47
Locking	
On the device	A-50
On the chassis	A-51
Indication contacts	A-52
Remote operation	
Remote ON / OFF	A-54
Remote tripping	A-57
Accessories	A-58
Source-changeover systems	
Presentation	A-59
Interlocking of devices	
Mechanical interlocking	A-60
Electrical interlocking	
IVE unit	A-62
Controller selection	A-63
Standard configuration	A-64
Masterpact NW with corrosion protection 800-4000 A	A-65
Earthing switch Masterpact	A-67

Presentation

>2

Installation recommendations

>B-1

Dimensions and connections

>C-1

Electrical diagrams

>D-1

Additional characteristics

>E-1

Catalogue numbers and order form

>F-1

Circuit breakers and switch-disconnectors

NT06 to NT16 and NW08 to NW63

NT and NW selection criteria

	Masterpact NT			Masterpact NW	
	Standard applications			Standard applications	
	NT06, NT08, NT10, NT12, NT16 H1	H2	NT06, NT08, NT10 L1	NW08...NW16 N1	NW08...NW40 H1
Type of application	Standard applications with low short-circuit currents	Applications with medium-level short-circuit currents	Limiting circuit breaker for protection of cable-type feeders or upgraded transformer ratings	Standard applications with low short-circuit currents	Circuit breaker for industrial sites with high short-circuit currents
Icu/Ics at 440 V	42 kA	50 kA	130 kA	42 kA	65 kA
Icu/Ics at 1000 V	-	-	-	-	-
Icu/Ics at 500 V DC L/R < 15 ms	-	-	-	-	-
Position of neutral	Left	Left	Left	Left	Left or right
Fixed	F	F	F	F	F
Drawout	D	D	D	D	D
Switch-disconnector version	Yes	No	No	Yes	Yes
Front connection	Yes	Yes	Yes	Yes	Yes up to 3200 A
Rear connection	Yes	Yes	Yes	Yes	Yes
Type of Micrologic control unit	A, E, P, H	A, E, P, H	A, E, P, H	A, E, P, H	A, E, P, H

Masterpact NT06 to NT16 installation characteristics

Circuit breaker		NT06, NT08, NT10			NT12, NT16	
Type		H1	H2	L1	H1	H2
Connection						
Drawout	FC	■	■	■	■	■
	RC	■	■	■	■	■
Fixed	FC	■	■	■	■	■
	RC	■	■	■	■	■
Dimensions (mm) H x W x D						
Drawout	3P	322 x 288 x 277				
	4P	322 x 358 x 277				
Fixed	3P	301 x 276 x 196				
	4P	301 x 346 x 196				
Weight (kg) (approximate)						
Drawout	3P/4P	30/39				
Fixed	3P/4P	14/18				

Masterpact NW08 to NW63 installation characteristics

Circuit breaker		NW08, NW10, NW12, NW16					NW20				
Type		N1	H1	H2	L1	H10	H1	H2	H3	L1	H10
Connection											
Drawout	FC	■	■	■	■	-	■	■	■	■	-
	RC	■	■	■	■	■	■	■	■	■	■
Fixed	FC	■	■	■	-	-	■	■	-	-	-
	RC	■	■	■	-	-	■	■	-	-	-
Dimensions (mm) H x W x D											
Drawout	3P	439 x 441 x 395									
	4P	439 x 556 x 395									
Fixed	3P	352 x 422 x 297									
	4P	352 x 537 x 297									
Weight (kg) (approximate)											
Drawout	3P/4P	90/120									
Fixed	3P/4P	50/65									

(1) Except 4000.

			Special applications				
H2	H3	L1	NW H10	NW H2 with corrosion protection	NW10...NW40 N DC	H DC	NW earthing switch
High-performance circuit breaker for heavy industry with high short-circuit currents	Incoming device with very high performance for critical applications	Limiting circuit breaker for protection of cable-type feeders or upgraded transformer ratings	1000 V systems, e.g. mines and wind power	Environments with high sulphur contents	DC system	DC system	Installation earthing
100 kA	150 kA	150 kA	-	100 kA	-	-	-
-	-	-	50 kA	-	-	-	-
-	-	-	-	-	35 kA	85 kA	-
Left or right	Left	Left	Left	Left	-	-	-
F	-	-	-	-	F	F	-
D	D	D	D	D	D	D	D
Yes	Yes	No	Yes	Yes	Yes	Yes	Yes
Yes up to 3200 A	Yes up to 3200 A	Yes up to 3200 A	No	Yes up to 3200 A	No	No	Yes up to 3200 A
Yes	Yes	Yes	Yes	Yes	Yes	Yes	Yes
A, E, P, H	A, E, P, H	A, E, P, H	A, consult us for P and H	A, E, P, H	DC Micrologic	DC Micrologic	-

NW25, NW32, NW40				NW40b, NW50, NW63	
H1	H2	H3	H10	H1	H2
■ ⁽¹⁾	■ ⁽¹⁾	■ ⁽¹⁾	-	-	-
■	■	■	■	■	■
■ ⁽¹⁾	■ ⁽¹⁾	-	-	-	-
■	■	-	-	■	■
				479 x 786 x 395	
				479 x 1016 x 395	
				352 x 767 x 297	
				352 x 997 x 297	
				225/300	
				120/160	

Circuit breakers and switch-disconnectors characteristics

NT06 to NT16

PB10C95A49.eps



Common characteristics

Number of poles		3/4
Rated insulation voltage (V)	Ui	1000
Impulse withstand voltage (kV)	Uimp	12
Rated operational voltage (V AC 50/60 Hz)	Ue	690
Suitability for isolation		IEC 60947-2
Degree of pollution		IEC 60664-1 3

Basic circuit breaker

Circuit breaker as per IEC 60947-2

Rated current (A)	In	at 40 °C/50 °C ⁽¹⁾
Rating of 4th pole (A)		
Sensor ratings (A)		
Type of circuit breaker		
Ultimate breaking capacity (kA rms) V AC 50/60 Hz	Icu	220/415 V 440 V 525 V 690 V
Rated service breaking capacity (kA rms)	Ics	% Icu
Utilisation category		
Rated short-time withstand current (kA rms) V AC 50/60 Hz	Icw	0.5 s 1 s 3 s
Integrated instantaneous protection (kA peak ±10 %)		
Rated making capacity (kA peak) V AC 50/60 Hz	Icm	220/415 V 440 V 525 V 690 V

Break time (ms) between tripping order and arc extinction

Closing time (ms)

Circuit breaker as per NEMA AB1

Breaking capacity (kA) V AC 50/60 Hz		240 V 480 V 600 V
---	--	-------------------------

Switch-disconnector as per IEC 60947-3 and Annex A

Type of switch-disconnector		
Rated making capacity (kA peak) AC23A/AC3 category V AC 50/60 Hz	Icm	220 V 440 V 525/690 V
Rated short-time withstand current (kA rms) AC23A/AC3 category V AC 50/60 Hz	Icw	0.5 s 1 s 3 s
Ultimate breaking capacity Icu (kA rms) with an external protection relay Maximum time delay: 350 ms		690 V

Mechanical and electrical durability as per IEC 60947-2/3 at In/Ie

Durability	Mechanical	without maintenance	
C/O cycles x 1000			
Type of circuit breaker			
Rated current			In (A)
C/O cycles x 1000	Electrical	without maintenance	440 V ⁽⁴⁾ 690 V
IEC 60947-2			
Type of circuit breaker or switch-disconnector			
Rated operational current			Ie (A) AC23A
C/O cycles x 1000	Electrical	without maintenance	440 V ⁽⁴⁾ 690V
IEC 60947-3			
Type of circuit breaker or switch-disconnector			
Rated operational current			Ie (A) AC3 ⁽⁵⁾
Motor power			380/415 V (kW) 440 V (kW)
C/O cycles x 1000	Electrical	without maintenance	440 V ⁽⁴⁾ 690 V
IEC 60947-3 Annex M/IEC 60947-4-1			

⁽¹⁾ 50 °C: rear vertical connected. Refer to temperature derating tables for other connection types.

⁽²⁾ See the current-limiting curves in the "additional characteristics" section.

⁽³⁾ SELLIM system.

⁽⁴⁾ Available for 480 V NEMA.

⁽⁵⁾ Suitable for motor control (direct-on-line starting).

Sensor selection

Sensor rating (A)	250 ⁽¹⁾	400	630	800	1000	1250	1600
I _r threshold setting (A)	100 to 250	160 to 400	250 to 630	320 to 800	400 to 1000	500 to 1250	640 to 1600

⁽¹⁾ For circuit breaker NT02, please consult us.

NT06			NT08			NT10			NT12		NT16	
630			800			1000			1250		1600	
630			800			1000			1250		1600	
400 to 630			400 to 800			400 to 1000			630 to 1250		800 to 1600	
H1	H2	L1 ⁽²⁾							H1	H2		
42	50	150							42	50		
42	50	130							42	50		
42	42	100							42	42		
42	42	25							42	42		
100 %									100 %			
B	B	A							B	B		
42	42	10							42	42		
42	42	-							42	42		
24	20	-							24	20		
-	90	10 x I _n ⁽³⁾							-	90		
88	105	330							88	105		
88	105	286							88	105		
88	88	220							88	88		
88	88	52							88	88		
25	25	9							25	25		
< 50									< 50			
42 50 150									42 50			
42 50 100									42 50			
42 42 25									42 42			
HA									HA			
75									75			
75									75			
75									75			
36									36			
36									36			
20									20			
36									36			
12.5												
H1	H2	L1	H1	H2	L1	H1	H2	L1	H1	H2	H1	H2
630			800			1000			1250		1600	
6	6	3	6	6	3	6	6	3	6	6	6	6
3	3	2	3	3	2	3	3	2	3	3	3	3
H1/H2/HA												
630			800			1000			1250		1600	
6			6			6			6		3	
3			3			3			3		1	
H1/H2/HA												
500			630			800			1000		1000	
≤ 250			250 to 335			335 to 450			450 to 560		450 to 560	
≤ 300			300 to 400			400 to 500			500 to 630		500 to 630	
6												
-												

Circuit breakers and switch-disconnectors characteristics NW08 to NW63

PB 106363/AG5.eps



PB 106362/AG5.eps



Common characteristics

Number of poles		3/4	
Rated insulation voltage (V)	Ui	1000	1250 for H10, HA10
Impulse withstand voltage (kV)	Uimp	12	12
Rated operational voltage (V AC 50/60 Hz)	Ue	690	1150 for H10, HA10
Suitability for isolation	IEC 60947-2		
Degree of pollution	IEC 60664-1	4 (1000 V) / 3 (1250 V)	

Basic circuit breaker

Circuit breaker as per IEC 60947-2

Rated current (A)	at 40 °C / 50 °C ⁽¹⁾		
Rating of 4th pole (A)			
Sensor ratings (A)			

Type of circuit breaker

Ultimate breaking capacity (kA rms) V AC 50/60 Hz	Icu	220/415/440 V 525 V 690 V 1150 V
Rated service breaking capacity (kA rms)	Ics	% Icu

Utilisation category		
Rated short-time withstand current (kA rms) V AC 50/60 Hz	Icw	1 s 3 s

Integrated instantaneous protection (kA peak ±10 %)		
Rated making capacity (kA peak) V AC 50/60 Hz	Icm	220/415/440 V 525 V 690 V 1150 V

Break time (ms) between tripping order and arc extinction

Closing time (ms)

Circuit breaker as per NEMA AB1

Breaking capacity (kA) V AC 50/60 Hz	240/480 V 600 V
---	--------------------

Unprotected circuit breaker

Tripping by shunt trip as per IEC 60947-2

Type of circuit breaker

Ultimate breaking capacity (kA rms) V AC 50/60 Hz	Icu	220...690 V
Rated service breaking capacity (kA rms)	Ics	% Icu
Rated short-time withstand current (kA rms)	Icw	1 s 3 s

Overload and short-circuit protection

External protection relay: short-circuit protection, maximum delay: 400 ms ⁽⁴⁾

Rated making capacity (kA peak) V AC 50/60 Hz	Icm	220...690 V
---	------------	-------------

Switch-disconnector as per IEC 60947-3 and Annex A

Type of switch-disconnector

Rated making capacity (kA peak) AC23A/AC3 category V AC 50/60 Hz	Icm	220...690 V 1150 V
Rated short-time withstand current (kA rms) AC23A/AC3 category V AC 50/60 Hz	Icw	1 s 3 s

Earthing switch

Latching capacity (kA peak)	135
Rated short time withstand (kA rms)	Icw 1 s 3 s

Mechanical and electrical durability as per IEC 60947-2/3 at In/Ie

Durability	Mechanical	with maintenance	
C/O cycles x 1000		without maintenance	

Type of circuit breaker

Rated current	In (A)		
C/O cycles x 1000	Electrical	without maintenance	440 V ⁽⁵⁾
IE C 60947-2			690 V 1150 V

Type of circuit breaker or switch-disconnector

Rated operational current	Ie (A) AC23A		
C/O cycles x 1000	Electrical	without maintenance	440 V ⁽⁵⁾
IEC 60947-3			690 V

Type of circuit breaker or switch-disconnector

Rated operational current	Ie (A) AC3 ⁽⁶⁾		
Motor power			380/415 V (kW) 440 V ⁽⁵⁾ (kW) 690 V (kW)

C/O cycles x 1000	Electrical	without maintenance	440/690 V ⁽⁵⁾
IEC 60947-3 Annex M/IEC 60947-4-1			

⁽¹⁾ 50 °C: rear vertical connected. Refer to temperature derating tables for other connection types.

⁽²⁾ See the current-limiting curves in the "additional characteristics" section.

⁽³⁾ Equipped with a trip unit with a making current of 90 kA peak.

⁽⁴⁾ External protection must comply with permissible thermal constraints of the circuit breaker (please consult us). No fault-trip indication by the SDE or the reset button.

⁽⁵⁾ Available for 480 V NEMA.

⁽⁶⁾ Suitable for motor control (direct-on-line starting).

⁽⁷⁾ Equipped with an instantaneous making over-current protection of 187 kA peak.

⁽⁸⁾ Icu 65 kA, Icw 65 kA/1 s available from October 2016, 50 kA before October - please contact us to confirm the date.

⁽⁹⁾ Icm 143 kA peak available from October 2016, 105 kA peak before October - please contact us to confirm the date.

⁽¹⁰⁾ Icu 65 kA, Icw 65 kA/1 s available from October 2016, 55 kA before October - please contact us to confirm the date.

⁽¹¹⁾ Icm 143 kA peak available from October 2016, 121 kA peak before October - please contact us to confirm the date.

Sensor selection

Sensor rating (A)	250 ⁽¹⁾	400	630	800	1000	1250	1600	2000	2500	3200	4000	5000	6300
Ir threshold setting(A)	100 to 250	160 to 400	250 to 630	320 to 800	400 to 1000	500 to 1250	630 to 1600	800 to 2000	1000 to 2500	1250 to 3200	1600 to 4000	2000 to 5000	2500 to 6300

(1) For circuit breaker NW02, please consult us.

NW08	NW10	NW12	NW16	NW20						NW25	NW32	NW40	NW40b	NW50	NW63	
800	1000	1250	1600	2000						2500	3200	4000	4000	5000	6300	
800	1000	1250	1600	2000						2500	3200	4000	4000	5000	6300	
400 to 800	400 to 1000	630 to 1250	800 to 1600	1000 to 2000						1250 to 2500	1600 to 3200	2000 to 4000	2000 to 4000	2500 to 5000	3200 to 6300	
N1	H1	H2	L1 ⁽²⁾	H10	N1	H1	H2	H3	L1 ⁽²⁾	H10	H1	H2	H3	H10	H1	H2
42	65	100	150	-	42	65	100	150	150	-	65	100	150	-	100	150
42	65	85	130	-	42	65	85	130	130	-	65	85	130	-	100	130
42	65	85	100	-	42	65	85	100	100	-	65	85	100	-	100	100
-	-	-	-	50	-	-	-	-	-	50	-	-	-	50	-	-
100 %					100 %						100 %				100 %	
B					B						B				B	
42	65	85	30	50	42	65	85	65	30	50	65	85	65	50	100	100
22	36	50	30	50	22	36	75	65	30	50	65	75	65	50	100	100
-	-	190	80	-	-	-	190	150	80	-	-	190	150	-	-	270
88	143	220	330	-	88	143	220	330	330	-	143	220	330	-	220	330
88	143	187	286	-	88	143	187	286	286	-	143	187	286	-	220	286
88	143	187	220	-	88	143	187	220	220	-	143	187	220	-	220	220
-	-	-	-	105	-	-	-	-	-	105	-	-	-	105	-	-
25	25	25	10	25	25	25	25	25	10	25	25	25	25	25	25	25
< 70	< 70	< 70	< 70	< 70	< 70	< 70	< 70	< 70	< 70	< 70	< 70	< 70	< 70	< 70	< 70	< 70

42	65	100	150	-	42	65	100	150	150	-	65	100	150	-	100	150
42	65	85	100	-	42	65	85	100	100	-	65	85	100	-	100	100

HA		HF ⁽³⁾		HA		HF ⁽³⁾		HA		HF ⁽³⁾		HA		HH ⁽⁷⁾	
65 ⁽⁸⁾	85	65 ⁽⁸⁾	85	65 ⁽¹⁰⁾	85	65 ⁽¹⁰⁾	85	85	100	85	100	85	100	85	100
100 %		100 %		100 %		100 %		100 %		100 %		100 %		100 %	
65 ⁽⁸⁾	85	65 ⁽⁸⁾	85	65 ⁽¹⁰⁾	85	65 ⁽¹⁰⁾	85	85	100	55	75	85	100	85	100
36	50	36	75	55	75	55	75	85	100	-	-	-	-	-	-
-	-	-	-	-	-	-	-	-	-	-	-	-	-	-	-
143 ⁽⁹⁾	187	143 ⁽⁹⁾	187	143 ⁽¹¹⁾	187	143 ⁽¹¹⁾	187	187	220	187	220	187	220	187	220

NW08/NW10/NW12/NW16				NW20				NW25/NW32/NW40				NW40b/NW50/NW63			
NA	HA	HF	HA10	HA	HF	HA10	HA	HF	HA10	HA	HF	HA10	HA	HH	
88	143 ⁽⁹⁾	187	-	143 ⁽⁹⁾	187	-	-	143 ⁽¹¹⁾	187	-	-	187	187	220	
-	-	-	105	-	-	105	-	-	-	105	-	-	-	-	
42	65 ⁽⁸⁾	85	50	65 ⁽⁸⁾	85	50	65 ⁽¹⁰⁾	85	50	65 ⁽¹⁰⁾	85	50	85	100	
-	36	50	50	36	75	50	55	75	50	55	75	50	85	100	

60
50

25				20				10					
12.5				10				5					
N1/H1/H2	L1	H10		N1/H1/H2	H3	L1	H10	H1/H2	H3	H10	H1	H2	
800/1000/1250/1600				2000				2500/3200/4000				4000b/5000/6300	
10	3	-		8	2	3	-	5	1.25	-	1.5	1.5	
10	3	-		6	2	3	-	2.5	1.25	-	1.5	1.5	
-	-	0.5		-	-	-	0.5	-	-	0.5	-	-	
H1/H2/NA/HA/HF				H1/H2/H3/HA/HF				H1/H2/H3/HA/HF				H1/H2/HA/HH	
800/1000/1250/1600				2000				2500/3200/4000				4000b/5000/6300	
10				8				5				1.5	
10				6				2.5				1.5	
H1/H2/NA/HA/HF				H1/H2/H3/HA/HF				H1/H2/H3/HA/HF				H1/H2/HA/HH	
800				2000									
335 to 450		450 to 560		560 to 670		670 to 900		900 to 1150					
400 to 500		500 to 630		500 to 800		800 to 1000		1000 to 1300					
≤ 800		800 to 1000		1000 to 1250		1250 to 1600		1600 to 2000					

6

All Masterpact circuit breakers are equipped with a Micrologic control unit that can be changed on site. Control units are designed to protect Power circuits and loads. Alarms may be programmed for remote indications. Measurements of current, voltage, frequency, power and power quality optimise continuity of service and energy management.

Dependability

Integration of protection functions in an ASIC electronic component used in all Micrologic control units guarantees a high degree of reliability and immunity to conducted or radiated disturbances.

On Micrologic A, E, P and H control units, advanced functions are managed by an independent microprocessor.

Accessories

Certain functions require the addition of Micrologic control unit accessories, described on [page A-28](#).

The rules governing the various possible combinations can be found in the documentation accessible via the Products and services menu of the www.schneider-electric.com web site.

Micrologic name codes

2.0 E
X Y Z

X: type of protection

- 2 for basic protection
- 5 for selective protection
- 6 for selective + earth-fault protection
- 7 for selective + earth-leakage protection.

Y: control-unit generation

Identification of the control-unit generation. "0" signifies the first generation.

Z: type of measurement

- A for "ammeter"
- E for "energy"
- P for "power meter"
- H for "harmonic meter".

PB100772-32.eps

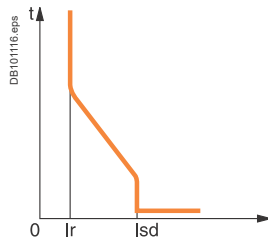


PB106351A32.eps



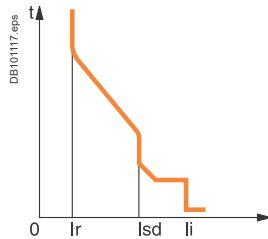
Current protection

Micrologic 2: basic protection



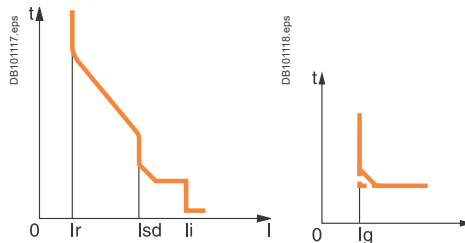
Protection:
long time
+ instantaneous

Micrologic 5: selective protection



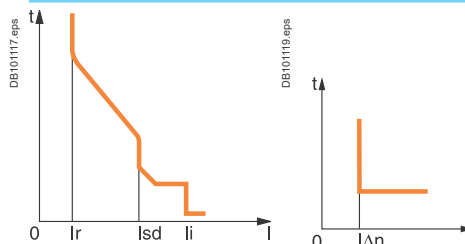
Protection:
long time
+ short time
+ instantaneous

Micrologic 6: selective + earth-fault protection



Protection:
long time
+ short time
+ instantaneous
+ earth fault

Micrologic 7: selective + earth-leakage protection



Protection:
long time
+ short time
+ instantaneous
+ earth leakage up to 3200A

Measurements and programmable protection

A: ammeter

- $I_1, I_2, I_3, N, I_{\text{earth-fault}}, I_{\text{earth-leakage}}$ and maximeter for these measurements
- fault indications
- settings in amperes and in seconds.

E: Energy

- incorporates all the rms measurements of Micrologic A, plus voltage, power factor, power and energy metering measurements
- calculates the current demand value
- "Quickview" function for the automatic cyclical display of the most useful values (as standard or by selection).

P: A + power meter + programmable protection

- measurements of V, A, W, VAR, VA, Wh, VARh, VAh, Hz, $V_{\text{peak}}, A_{\text{peak}}$, power factor and maximeters and minimeters
- IDMTL long-time protection, minimum and maximum voltage and frequency, voltage and current imbalance, phase sequence, reverse power
- load shedding and reconnection depending on power or current
- measurements of interrupted currents, differentiated fault indications, maintenance indications, event histories and time-stamping, etc.

H: P + harmonics

- power quality: fundamentals, distortion, amplitude and phase of harmonics up to the 31st order
- waveform capture after fault, alarm or on request
- enhanced alarm programming: thresholds and actions.

2.0 A



2.0 E



5.0 A



5.0 E



5.0 P



5.0 H



6.0 A



6.0 E



6.0 P



6.0 H



7.0 A



7.0 P



7.0 H



Micrologic A control units protect power circuits. They also offer measurements, display, communication and current maximeters. Version 6 provides earth-fault protection, version 7 provides earth-leakage protection.

"Ammeter" measurements

Micrologic A control units measure the true (rms) value of currents. They provide continuous current measurements from 0.2 to 1.2 I_n and are accurate to within 1.5 % (including the sensors). A digital LCD screen continuously displays the most heavily loaded phase (I_{max}) or displays the I₁, I₂, I₃, I_N, I_g, I_{Δn}, stored-current (maximeter) and setting values by successively pressing the navigation button. The optional external power supply makes it possible to display currents < 20 % I_n. Below 0.1 I_n, measurements are not significant. Between 0.1 and 0.2 I_n, accuracy changes linearly from 4 % to 1.5 %.

Communication option

In conjunction with the COM communication option, the control unit transmits the following:

- settings
- all “ammeter” measurements
- tripping causes
- maximeter readings.

Protection

Protection thresholds and delays are set using the adjustment dials.

Overload protection

True rms long-time protection. Thermal memory: thermal image before and after tripping. Setting accuracy may be enhanced by limiting the setting range using a different long-time rating plug. Overload protection can be cancelled using a specific LT rating plug "Off".

Short-circuit protection

Short-time (rms) and instantaneous protection. Selection of I²t type (ON or OFF) for short-time delay.

Earth-fault protection

Residual or source ground return earth fault protection. Selection of I²t type (ON or OFF) for delay.

Residual earth-leakage protection (Vigi).

Operation without an external power supply. Λ Protected against nuisance tripping. $\hat{\Delta}$ DC-component withstand class A up to 10 A.

Neutral protection

On three-pole circuit breakers, neutral protection is not possible. On four-pole circuit breakers, neutral protection may be set using a three-position switch: neutral unprotected (4P 3d), neutral protection at 0.5 I_r (4P 3d + N/2), neutral protection at I_r (4P 4d).

Zone selective interlocking (ZSI)

A ZSI terminal block may be used to interconnect a number of control units to provide total discrimination for short-time and earth-fault protection, without a delay before tripping.

Overload alarm

A yellow alarm LED goes on when the current exceeds the long-time trip threshold.

Fault indications

LEDs indicate the type of fault:

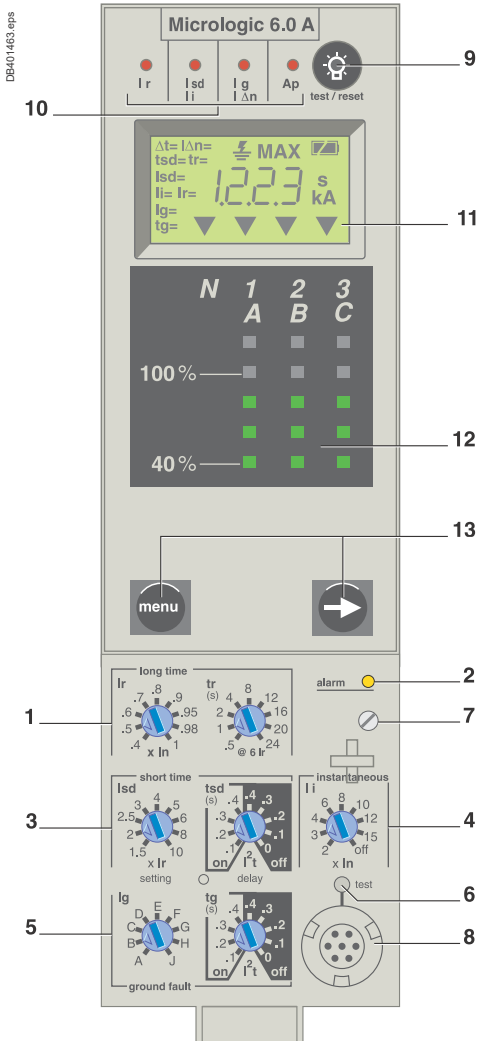
- overload (long-time protection I_r)
- short-circuit (short-time I_{sd} or instantaneous I_i protection)
- earth fault or earth leakage (I_g or I_{Δn})
- internal fault (A_p).

Battery power

The fault indication LEDs remain on until the test/reset button is pressed. Under normal operating conditions, the battery supplying the LEDs has a service life of approximately 10 years.

Test

A mini test kit or a portable test kit may be connected to the test connector on the front to check circuit breaker operation. For Micrologic 6.0 A and 7.0 A control units, the operation of earth-fault or earth-leakage protection can be checked by pressing the test button located above the test connector.

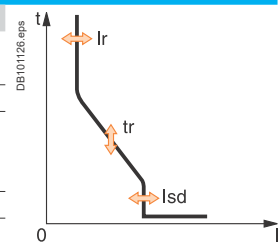


- 1 long-time threshold and tripping delay
- 2 overload alarm (LED) at 1,125 I_r
- 3 short-time pick-up and tripping delay
- 4 instantaneous pick-up
- 5 earth-leakage or earth-fault pick-up and tripping delay
- 6 earth-leakage or earth-fault test button
- 7 long-time rating plug screw
- 8 test connector
- 9 lamp test, reset and battery test
- 10 indication of tripping cause
- 11 digital display
- 12 three-phase bargraph and ammeter
- 13 navigation buttons

Note: Micrologic A control units come with a transparent lead-seal cover as standard.

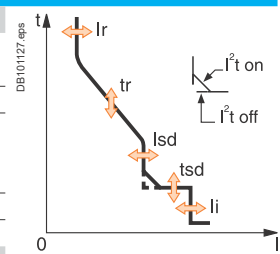
Protection Micrologic 2.0 A

Long time		ANSI Code 49											
Current setting (A)		0.4	0.5	0.6	0.7	0.8	0.9	0.95	0.98	1			
Tripping between 1.05 and 1.20 x Ir		Other ranges or disable by changing long-time rating plug											
Time setting	tr (s)	0.5	1	2	4	8	12	16	20	24			
Time delay (s)	Accuracy: 0 to -30 %	1.5 x Ir	12.5	25	50	100	200	300	400	500	600		
	Accuracy: 0 to -20 %	6 x Ir	0.7 ⁽¹⁾	1	2	4	8	12	16	20	24		
	Accuracy: 0 to -20 %	7.2 x Ir	0.7 ⁽²⁾	0.69	1.38	2.7	5.5	8.3	11	13.8	16.6		
Thermal memory		20 minutes before and after tripping											
(1) 0 to -40 % - (2) 0 to -60 %													
Instantaneous		ANSI Code 50											
Pick-up (A)	I _{sd} = Ir x ...	1.5	2	2.5	3	4	5	6	8	10			
Accuracy: ±10 %													
Time delay		Max resettable time: 20 ms Max break time: 80 ms											

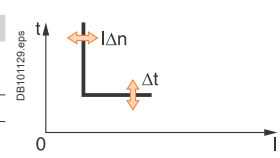
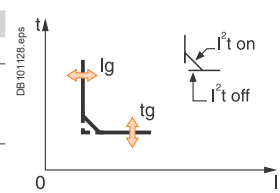


Protection Micrologic 5.0 / 6.0 / 7.0 A

Long time		ANSI Code 49										Micrologic 5.0 / 6.0 / 7.0 A																						
Current setting (A)	Ir = In x ...	0.4	0.5	0.6	0.7	0.8	0.9	0.95	0.98	1																								
Tripping between 1.05 and 1.20 x Ir		Other ranges or disable by changing long-time rating plug																																
Time setting	tr (s)	0.5	1	2	4	8	12	16	20	24																								
Time delay (s)	Accuracy: 0 to -30 %	1.5 x Ir	12.5	25	50	100	200	300	400	500	600																							
	Accuracy: 0 to -20 %	6 x Ir	0.7 ⁽¹⁾	1	2	4	8	12	16	20	24																							
	Accuracy: 0 to -20 %	7.2 x Ir	0.7 ⁽²⁾	0.69	1.38	2.7	5.5	8.3	11	13.8	16.6																							
Thermal memory		20 minutes before and after tripping																																
(1) 0 to -40 % - (2) 0 to -60 %																																		
Short time		ANSI Code 51																																
Pick-up (A)	I _{sd} = Ir x ...	1.5	2	2.5	3	4	5	6	8	10																								
Accuracy: ±10 %																																		
Time setting tsd (s)	Settings	I ² t Off	0	0.1	0.2	0.3	0.4																											
		I ² t On	-	0.1	0.2	0.3	0.4																											
Time delay (ms) at 10 x Ir (I ² t Off or I ² t On)	tsd (max resettable time)	20	80	140	230	350																												
	tsd (max break time)	80	140	200	320	500																												
Instantaneous		ANSI Code 50																																
Pick-up (A)	I _{li} = In x ...	2	3	4	6	8	10	12	15	off																								
Accuracy: ±10 %																																		
Time delay		Max resettable time: 20 ms Max break time: 50 ms																																



Earth fault		ANSI Code 51N										Micrologic 6.0 A																						
Pick-up (A)	I _{lg} = In x ...																																	
Accuracy: ±10 %	In ≤ 400 A	A	B	C	D	E	F	G	H	J																								
	400 A < In < 1250 A	0.3	0.3	0.4	0.5	0.6	0.7	0.8	0.9	1																								
	In ≥ 1250 A	0.2	0.3	0.4	0.5	0.6	0.7	0.8	0.9	1																								
Time setting tg (s)	Settings	I ² t Off	0	0.1	0.2	0.3	0.4																											
		I ² t On	-	0.1	0.2	0.3	0.4																											
Time delay (ms) at In or 1200 A (I ² t Off or I ² t On)	tg (max resettable time)	20	80	140	230	350																												
	tg (max break time)	80	140	200	320	500																												
Residual earth leakage (Vigi)		ANSI Code 51G										Micrologic 7.0 A																						
Sensitivity (A)	I _{Δn}	0.5	1	2	3	5	7	10	20	30																								
Accuracy: 0 to -20 %	Settings	60	140	230	350	800																												
	Δt (max resettable time)	60	140	230	350	800																												
	Δt (max break time)	140	200	320	500	1000																												

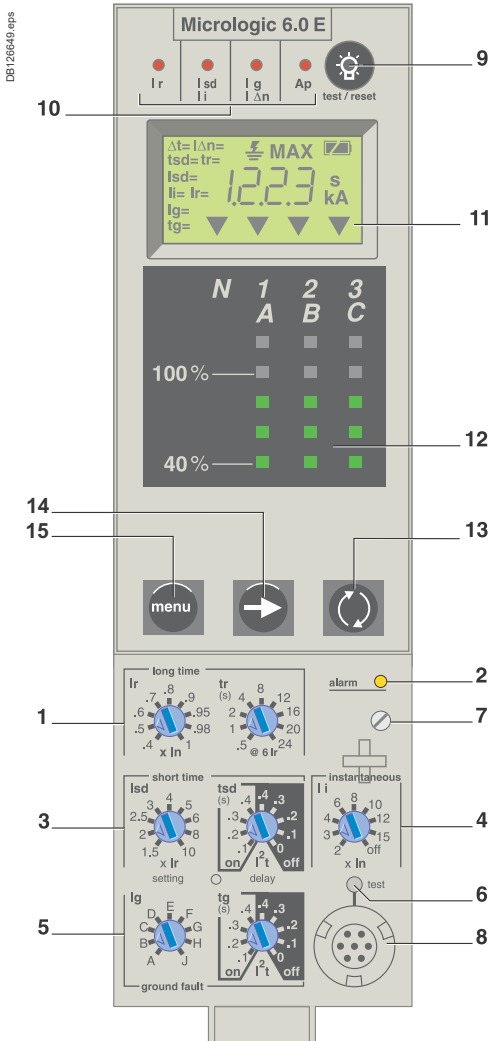


Ammeter Micrologic 2.0 / 5.0 / 6.0 / 7.0 A

Type of measurements	Range	Accuracy
Instantaneous currents	I ₁ , I ₂ , I ₃ , I _N	0.2 x In to 1.2 x In
	I _g (6.0 A)	0.2 x In to In
	I _{Δn} (7.0 A)	0 to 30 A
Current maximizers of	I ₁ , I ₂ , I ₃ , I _N	0.2 x In to 1.2 x In

Note: all current-based protection functions require no auxiliary source.
The test / reset button resets maximizers, clears the tripping indication and tests the battery.

Micrologic E control units protect power circuits. They also offer measurements, display, communication and current maximeters. Version 6 provides earth-fault protection.



- 1 long-time threshold and tripping delay
- 2 overload alarm (LED) at 1,125 Ir
- 3 short-time pick-up and tripping delay
- 4 instantaneous pick-up
- 5 earth-leakage or earth-fault pick-up and tripping delay
- 6 earth-leakage or earth-fault test button
- 7 long-time rating plug screw
- 8 test connector
- 9 lamp test, reset and battery test
- 10 indication of tripping cause
- 11 digital display
- 12 three-phase bargraph and ammeter
- 13 navigation button "quick View" (only with Micrologic E)
- 14 navigation button to view menu contents
- 15 navigation button to change menu

(1) Display on FDM only.

Note: Micrologic E control units come with a transparent lead-seal cover as standard.

"Energy meter" measurements

In addition to the ammeter measurements of Micrologic A

Micrologic E control units measure and display:

- current demand
- voltages: phase to phase, phase to neutral, average (1) and unbalanced (1)
- instantaneous power: P, Q, S
- power factor: PF
- power demand: P demand
- energy: Ep, Eq (1), Es (1).

Accuracy of active energy Ep is 2 % (including the sensors). The range of measurement is the same as current with Micrologic A, depending of an external power supply module (24 V DC).

Communication option

In conjunction with the COM communication option, the control unit transmits the following:

- settings
- all "ammeter" and "energy" measurements
- enable connection to FDM
- tripping causes
- maximeter / minimeter readings.

Protection

Protection thresholds and delays are set using the adjustment dials.

Overload protection

True rms long-time protection.

Thermal memory: thermal image before and after tripping.

Setting accuracy may be enhanced by limiting the setting range using a different long-time rating plug. Overload protection can be cancelled using a specific LT rating plug "Off".

Short-circuit protection

Short-time (rms) and instantaneous protection.

Selection of I²t type (ON or OFF) for short-time delay.

Earth-fault protection

Source ground return earth fault protection.

Selection of I²t type (ON or OFF) for delay.

Neutral protection

On three-pole circuit breakers, neutral protection is not possible.

On four-pole circuit breakers, neutral protection may be set using a three-position switch: neutral unprotected (4P 3d), neutral protection at 0.5 Ir (4P 3d + N/2), neutral protection at Ir (4P 4d).

Zone selective interlocking (ZSI)

A ZSI terminal block may be used to interconnect a number of control units to provide total discrimination for short-time and earth-fault protection, without a delay before tripping.

Overload alarm

A yellow alarm LED goes on when the current exceeds the long-time trip threshold.

M2C programmable contacts

The M2C (two contacts) programmable contacts may be used to signal events (Ir, Isd, Alarm Ir, Alarm Ig, Ig). They can be programmed using the keypad on the Micrologic E control unit or remotely using the COM option (BCM ULP).

Fault indications

LEDs indicate the type of fault:

- overload (long-time protection Ir)
- short-circuit (short-time Isd or instantaneous li protection)
- earth fault (Ig)
- internal fault (Ap).

Trip history

The trip history displays the list of the last 10 trips. For each trip, the following indications are recorded and displayed:

- the tripping cause: Ir, Isd, li, Ig or Auto-protection (Ap) trips
- the date and time of the trip (requires communication option).

Battery power

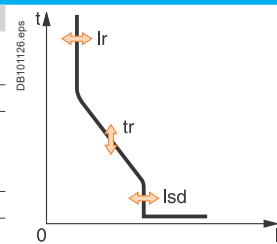
The fault indication LEDs remain on until the test/reset button is pressed. Under normal operating conditions, the battery supplying the LEDs has a service life of approximately 10 years.

Test

A mini test kit or a portable test kit may be connected to the test connector on the front to check circuit breaker operation. For Micrologic 6.0 E control units, the operation of earth-fault or earth-leakage protection can be checked by pressing the test button located above the test connector.

Protection Micrologic 2.0 E

Long time	ANSI Code 49	Micrologic 2.0 E											
Current setting (A)		0.4	0.5	0.6	0.7	0.8	0.9	0.95	0.98	1	Other ranges or disable by changing long-time rating plug		
Tripping between 1.05 and 1.20 x Ir													
Time setting		tr (s)	0.5	1	2	4	8	12	16	20	24		
Time delay (s)	Accuracy: 0 to -30 %	1.5 x Ir	12.5	25	50	100	200	300	400	500	600		
	Accuracy: 0 to -20 %	6 x Ir	0.7 ⁽¹⁾	1	2	4	8	12	16	20	24		
	Accuracy: 0 to -20 %	7.2 x Ir	0.7 ⁽²⁾	0.69	1.38	2.7	5.5	8.3	11	13.8	16.6		
Thermal memory		20 minutes before and after tripping											

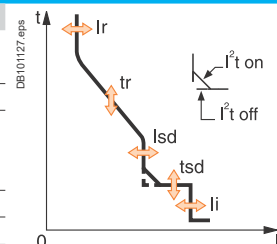


(1) 0 to -40 % - (2) 0 to -60 %

Instantaneous	ANSI Code 50	Micrologic 2.0 E										
Pick-up (A)	Isd = Ir x ...	1.5	2	2.5	3	4	5	6	8	10		
Accuracy: ±10 %												
Time delay		Max resettable time: 20 ms Max break time: 80 ms										

Protection Micrologic 5.0 / 6.0 E

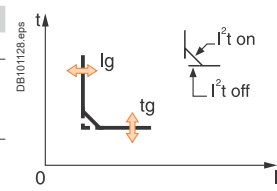
Long time	ANSI Code 49	Micrologic 5.0 / 6.0 E											
Current setting (A)	Ir = In x ...	0.4	0.5	0.6	0.7	0.8	0.9	0.95	0.98	1	Other ranges or disable by changing long-time rating plug		
Tripping between 1.05 and 1.20 x Ir													
Time setting		tr (s)	0.5	1	2	4	8	12	16	20	24		
Time delay (s)	Accuracy: 0 to -30 %	1.5 x Ir	12.5	25	50	100	200	300	400	500	600		
	Accuracy: 0 to -20 %	6 x Ir	0.7 ⁽¹⁾	1	2	4	8	12	16	20	24		
	Accuracy: 0 to -20 %	7.2 x Ir	0.7 ⁽²⁾	0.69	1.38	2.7	5.5	8.3	11	13.8	16.6		
Thermal memory		20 minutes before and after tripping											



(1) 0 to -40 % - (2) 0 to -60 %

Short time	ANSI Code 51	Micrologic 5.0 / 6.0 E										
Pick-up (A)	Isd = Ir x ...	1.5	2	2.5	3	4	5	6	8	10		
Accuracy: ±10 %												
Time setting tsd (s)	Settings	I ² t Off	0	0.1	0.2	0.3	0.4					
		I ² t On	-	0.1	0.2	0.3	0.4					
Time delay (ms) at 10 x Ir (I ² t Off or I ² t On)	tsd (max resettable time)		20	80	140	230	350					
		tsd (max break time)	80	140	200	320	500					

Instantaneous	ANSI Code 50	Micrologic 5.0 / 6.0 E										
Pick-up (A)	Ii = In x ...	2	3	4	6	8	10	12	15	off		
Accuracy: ±10 %												
Time delay		Max resettable time: 20 ms Max break time: 50 ms										



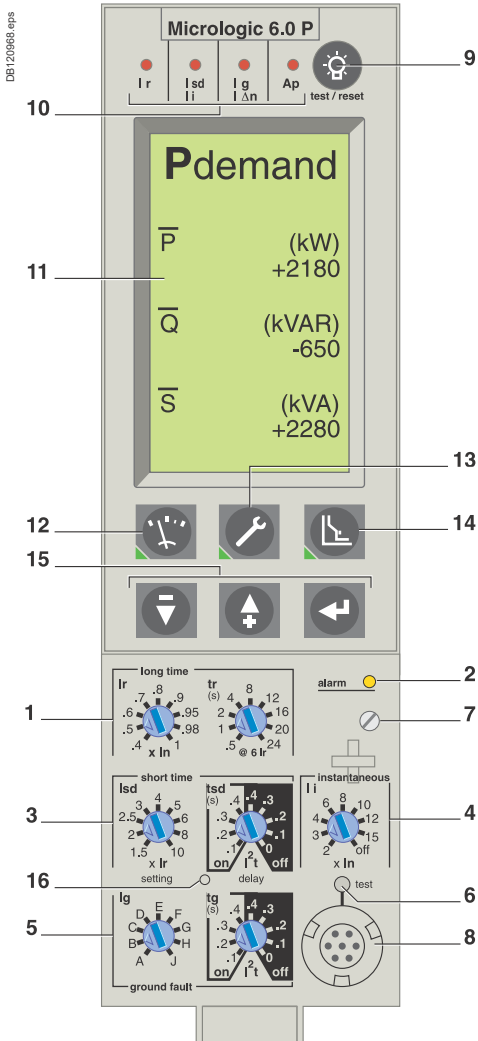
Earth fault	ANSI Code 51N	Micrologic 6.0 E										
Pick-up (A)	Ig = In x ...	A	B	C	D	E	F	G	H	J		
Accuracy: ±10 %	In ≤ 400 A	0.3	0.3	0.4	0.5	0.6	0.7	0.8	0.9	1		
	400 A < In < 1250 A	0.2	0.3	0.4	0.5	0.6	0.7	0.8	0.9	1		
	In ≥ 1250 A	500	640	720	800	880	960	1040	1120	1200		
Time setting tg (s)	Settings	I ² t Off	0	0.1	0.2	0.3	0.4					
		I ² t On	-	0.1	0.2	0.3	0.4					
Time delay (ms) at In or 1200 A (I ² t Off or I ² t On)	tg (max resettable time)		20	80	140	230	350					
		tg (max break time)	80	140	200	320	500					

Energy Micrologic 2.0 / 5.0 / 6.0 E

Type of measurements		Range	Accuracy
Instantaneous currents	I1, I2, I3, IN	0.2 x In to 1.2 x In	±1.5 %
	Ig (6.0 E)	0.05 x In to In	±10 %
Current maximeters of	I1, I2, I3, IN	0.2 x In to 1.2 x In	±1.5 %
Demand currents of I1, I2, I3, Ig		0.2 x In to 1.2 x In	±1.5 %
Voltages	V12, V23, V31, V1N, V2N, V3N	100 to 690 V	±0.5 %
Active power	P	30 to 2000 kW	±2 %
Power factor	PF	0 to 1	±2 %
Demand power	P demand	30 to 2000 kW	±2 %
Active energy	Ep	-10 ¹⁰ GWh to 10 ¹⁰ GWh	±2 %

Note: all current-based protection functions require no auxiliary source.
The test / reset button resets maximeters, clears the tripping indication and tests the battery.

Micrologic P control units include all the functions offered by Micrologic A. In addition, they measure voltages and calculate power and energy values. They also offer new protection functions based on currents, voltages, frequency and power reinforce load protection in real time.



- 1 Long-time current setting and tripping delay.
- 2 Overload signal (LED).
- 3 Short-time pick-up and tripping delay.
- 4 Instantaneous pick-up.
- 5 Earth-leakage or earth-fault pick-up and tripping delay.
- 6 Earth-leakage or earth-fault test button.
- 7 Long-time rating plug screw.
- 8 Test connector.
- 9 Lamp + battery test and indications reset.
- 10 Indication of tripping cause.
- 11 High-resolution screen.
- 12 Measurement display.
- 13 Maintenance indicators.
- 14 Protection settings.
- 15 Navigation buttons.
- 16 Hole for settings lockout pin on cover.

Protection.....



Protection settings

The adjustable protection functions are identical to those of Micrologic A (overloads, short-circuits, earth-fault and earth-leakage protection).

Fine adjustment

Within the range determined by the adjustment dial, fine adjustment of thresholds (to within one ampere) and time delays (to within one second) is possible on the keypad or remotely using the COM option (BCM ULP).

IDMTL (Inverse Definite Minimum Time lag) setting

Coordination with fuse-type or medium-voltage protection systems is optimised by adjusting the slope of the overload-protection curve. This setting also ensures better operation of this protection function with certain loads.

Neutral protection

On three-pole circuit breakers, neutral protection may be set using the keypad or remotely using the COM option (BCM ULP), to one of four positions: neutral unprotected (4P 3d), neutral protection at 0.5 Ir (4P 3d + N/2), neutral protection at Ir (4P 4d) and neutral protection at 1.6 Ir (4P 3d + 1.6N). Neutral protection at 1.6 Ir is used when the neutral conductor is twice the size of the phase conductors (major load imbalance, high level of third order harmonics).

On four-pole circuit breakers, neutral protection may be set using a three-position switch or the keypad: neutral unprotected (4P 3d), neutral protection at 0.5 Ir (4P 3d + N/2), neutral protection at Ir (4P 4d). Neutral protection produces no effect if the long-time curve is set to one of the IDMTL protection settings.

Programmable alarms and other protection

Depending on the thresholds and time delays set using the keypad or remotely using the COM option (BCM ULP), the Micrologic P control unit monitors currents and voltage, power, frequency and the phase sequence. Each threshold overrun is signalled remotely via the COM option (BCM ULP). Each threshold overrun may be combined with tripping (protection) or an indication carried out by an optional M2C or M6C programmable contact (alarm), or both (protection and alarm).

Load shedding and reconnection

Load shedding and reconnection parameters may be set according to the power or the current flowing through the circuit breaker. Load shedding is carried out by a supervisor via the COM option (BCM ULP) or by an M2C or M6C programmable contact.

M2C / M6C programmable contacts

The M2C (two contacts) and M6C (six contacts) auxiliary contacts may be used to signal threshold overruns or status changes. They can be programmed using the keypad on the Micrologic P control unit or remotely using the COM option (BCM ULP).

Communication option (COM)

The communication option may be used to:

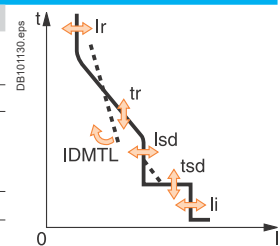
- remotely read and set parameters for the protection functions
- transmit all the calculated indicators and measurements
- signal the causes of tripping and alarms
- consult the history files and the maintenance-indicator register.
- maximeter reset.

An event log and a maintenance register, stored in control-unit memory but not available locally, may be accessed in addition via the COM option (BCM ULP).

Note: Micrologic P control units come with a non-transparent lead-seal cover as standard.

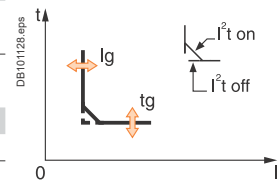
Protection Micrologic 5.0 / 6.0 / 7.0 P

Long time (rms)	ANSI Code 49	Micrologic 5.0 / 6.0 / 7.0 P											
Current setting (A)	$I_r = I_n \times \dots$	0.4	0.5	0.6	0.7	0.8	0.9	0.95	0.98	1	Other ranges or disable by changing long-time rating plug		
Tripping between 1.05 and 1.20 x I_r													
Time setting		tr (s)	0.5	1	2	4	8	12	16	20	24		
Time delay (s)	Accuracy: 0 to -30 %	$1.5 \times I_r$	12.5	25	50	100	200	300	400	500	600		
IDMTL (EIT)	Accuracy: 0 to -20 %	$6 \times I_r$	0.7 ⁽¹⁾	1	2	4	8	12	16	20	24		
	Accuracy: 0 to -20 %	$7.2 \times I_r$	0.7 ⁽²⁾	0.69	1.38	2.7	5.5	8.3	11	13.8	16.6		
IDMTL setting	Curve slope		SIT	VIT	EIT	HVFuse	DT						
Thermal memory			20 minutes before and after tripping										

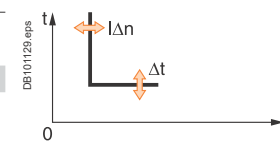


(1) 0 to -40 % - (2) 0 to -60 %

Short time (rms)	ANSI Code 51											
Pick-up (A)	$I_{sd} = I_r \times \dots$	1.5	2	2.5	3	4	5	6	8	10		
Accuracy: ±10 %												
Time setting tsd (s)	Settings	I^2t Off	0	0.1	0.2	0.3	0.4					
		I^2t On	-	0.1	0.2	0.3	0.4					
Time delay (ms) at 10 I_r (I^2t Off or I^2t On)	tsd (max resettable time)		20	80	140	230	350					
	tsd (max break time)		80	140	200	320	500					



Instantaneous	ANSI Code 50											
Pick-up (A)	$I_i = I_n \times \dots$	2	3	4	6	8	10	12	15	off		
Accuracy: ±10 %												
Time delay		Max resettable time: 20 ms Max break time: 50 ms										

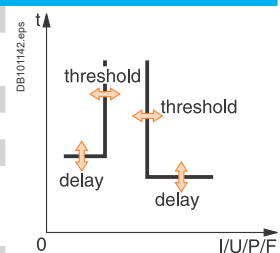


Earth fault	ANSI Code 51N	Micrologic 6.0 P										
Pick-up (A)	$I_g = I_n \times \dots$	A	B	C	D	E	F	G	H	J		
Accuracy: ±10 %	$I_n \leq 400$ A	0.3	0.3	0.4	0.5	0.6	0.7	0.8	0.9	1		
	400 A < I_n < 1250 A	0.2	0.3	0.4	0.5	0.6	0.7	0.8	0.9	1		
	$I_n \geq 1250$ A	500	640	720	800	880	960	1040	1120	1200		
Time setting tg (s)	Settings	I^2t Off	0	0.1	0.2	0.3	0.4					
		I^2t On	-	0.1	0.2	0.3	0.4					
Time delay (ms) at I_n or 1200 A (I^2t Off or I^2t On)	tg (max resettable time)		20	80	140	230	350					
	tg (max break time)		80	140	200	320	500					

Residual earth leakage (Vigi)	ANSI Code 51G	Micrologic 7.0 P										
Sensitivity (A)	$I_{\Delta n}$	0.5	1	2	3	5	7	10	20	30		
Accuracy: 0 to -20 %												
Time delay Δt (ms)	Settings		60	140	230	350	800					
	Δt (max resettable time)		60	140	230	350	800					
	Δt (max break time)		140	200	320	500	1000					

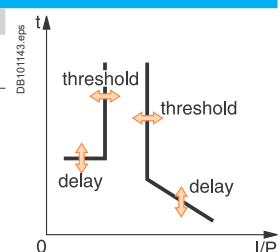
Alarms and other protection Micrologic 5.0 / 6.0 / 7.0 P

Current	ANSI Code 46	Threshold	Delay
Current unbalance	$I_{unbalance}$	0.05 to 0.6 laverage	1 to 40 s
Max. demand current	$I_{max\ demand}$: I1, I2, I3, I _N	0.2 I_n to I_n	15 to 1500 s
Earth fault alarm			
	I_{\perp}	10 to 100 % I_n ⁽³⁾	1 to 10 s
Voltage	ANSI Code		
Voltage unbalance	Uunbalance	2 to 30 % x Uaverage	1 to 40 s
Minimum voltage	Umin	100 to Umax between phases	1.2 to 10 s
Maximum voltage ⁽⁴⁾	Umax	Umin to 1200 between phases	1.2 to 10 s
Power			
Reverse power	rP	32P 5 to 500 kW	0.2 to 20 s
Frequency			
Minimum frequency	Fmin	81L 45 to Fmax	1.2 to 5 s
Maximum frequency	Fmax	81H Fmin to 440 Hz	1.2 to 5 s
Phase sequence			
Sequence (alarm)	$\Delta\emptyset$	$\emptyset 1/2/3$ or $\emptyset 1/3/2$	0.3 s



Load shedding and reconnection Micrologic 5.0 / 6.0 / 7.0 P

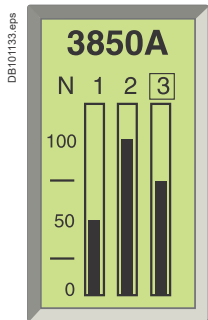
Measured value	Threshold	Delay
Current	I 0.5 to 1 I_r per phases	20 % tr to 80 % tr
Power	P 200 kW to 10 MW	10 to 3600 s



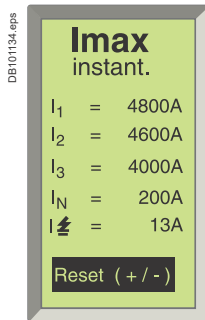
(3) $I_n \leq 400$ A 30 %
400 A < I_n < 1250 A 20 %
 $I_n \geq 1250$ A 10 %

(4) For 690 V applications, a step-down transformer must be used if the voltage exceeds the nominal value of 690 V by more than 10 %.

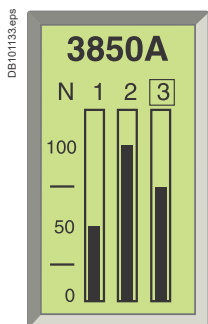
Note: all current-based protection functions require no auxiliary source.
Voltage-based protection functions are connected to AC power via a voltage measurement input built into the circuit breaker.



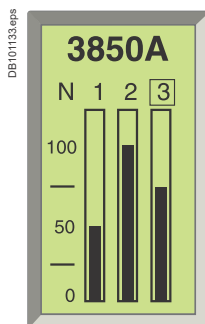
Default display.



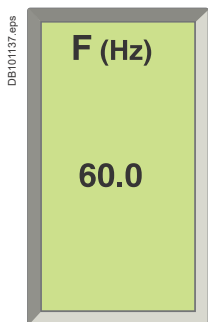
Display of a maximum current.



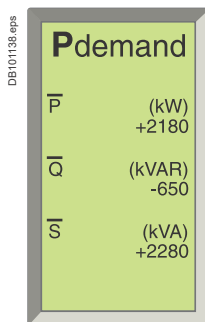
Display of a voltage.



Display of a power.



Display of a frequency.



Display of a demand power.

Measurements

The Micrologic P control unit calculates in real time all the electrical values (V, A, W, VAR, VA, Wh, VARh, VAh, Hz), power factors and $\cos\phi$ factors.

The Micrologic P control unit also calculates demand current and demand power over an adjustable time period. Each measurement is associated with a minimeter and a maximeter.

In the event of tripping on a fault, the interrupted current is stored. The optional external power supply makes it possible to display the value with the circuit breaker open or not supplied.

Instantaneous values

The value displayed on the screen is refreshed every second.

Minimum and maximum values of measurements are stored in memory (minimeters and maximeters).

Currents

I rms	A	1	2	3	N
	A	E-fault		E-leakage	
I max rms	A	1	2	3	N
	A	E-fault		E-leakage	

Voltages

U rms	V	12	23	31
V rms	V	1N	2N	3N
U average rms	V	(U12 + U23 + U31) / 3		
U unbalance	%			

Power, energy

P active, Q reactive, S apparent	W, Var, VA	Totals
E active, E reactive, E apparent	Wh, VARh, VAh	Totals consumed - supplied Totals consumed Totals supplied
Power factor	PF	Total

Frequencies

F	Hz
---	----

Demand metering

The demand is calculated over a fixed or sliding time window that may be programmed from 5 to 60 minutes. According to the contract signed with the power supplier, an indicator associated with a load shedding function makes it possible to avoid or minimise the costs of overrunning the subscribed power. Maximum demand values are systematically stored and time stamped (maximeter).

Currents

I demand	A	1	2	3	N
	A	E-fault		E-leakage	
I max demand	A	1	2	3	N
	A	E-fault		E-leakage	

Power

P, Q, S demand	W, Var, VA	Totals
P, Q, S max demand	W, Var, VA	Totals

Minimeters and maximeters

Only the current and power maximeters may be displayed on the screen.

Time-stamping

Time-stamping is activated as soon as time is set manually or by a supervisor. No external power supply module is required (max. drift of 1 hour per year).

Reset

An individual reset, via the keypad or remotely, acts on alarms, minimum and maximum data, peak values, the counters and the indicators.

Additional measurements accessible with the COM option (BCM ULP)

Some measured or calculated values are only accessible with the COM communication option:

- $I_{peak} / \sqrt{2}$, $(I_1 + I_2 + I_3) / 3$, I unbalance
- load level in % I_r
- total power factor.

The maximeters and minimeters are available only via the COM option (BCM ULP) for use with a supervisor.

Additional info

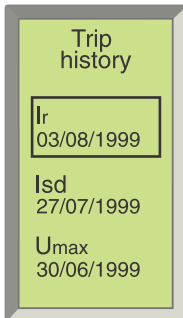
Accuracy of measurements (including sensors):

- voltage (V) 0.5 %
- current (A) 1.5 %
- frequency (Hz) 0.1 %
- power (W) and energy (Wh) 2 %.



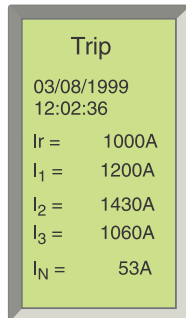
Logiciel PME.

DB117041.eps



Display of a tripping history.

DB101140.eps



Display after tripping.

Histories and maintenance indicators

The last ten trips and alarms are recorded in two separate history files that may be displayed on the screen:

- tripping history:
 - type of fault
 - date and time
 - values measured at the time of tripping (interrupted current, etc.)
- alarm history:
 - type of alarm
 - date and time
 - values measured at the time of the alarm.

All the other events are recorded in a third history file which is only accessible through the communication network.

- Event log history (only accessible through the communication network)
 - modifications to settings and parameters
 - counter resets
 - system faults
 - fallback position
 - thermal self-protection
 - loss of time
 - overrun of wear indicators
 - test-kit connections
 - etc.

Note: all the events are time stamped: time-stamping is activated as soon as time is set manually or by a supervisor. No external power supply module is required (max. drift of 1 hour per year).

Maintenance indicators with COM option (BCM ULP)

A number of maintenance indicators may be called up on the screen to better plan for device maintenance:

- contact wear
- operation counter:
 - cumulative total
 - total since last reset.

Additional maintenance indicators are also available through the COM network, and can be used as an aid in troubleshooting:

- highest current measured
- number of test-kit connections
- number of trips in operating mode and in test mode.

Additional technical characteristics

Safety

Measurement functions are independent of the protection functions.

The high-accuracy measurement module operates independently of the protection module.

Simplicity and multi-language

Navigation from one display to another is intuitive. The six buttons on the keypad provide access to the menus and easy selection of values. When the setting cover is closed, the keypad may no longer be used to access the protection settings, but still provides access to the displays for measurements, histories, indicators, etc. Micrologic is also multi-language, including the following languages: English, Spanish, Portuguese, Russian, Chinese, French, German...

Intelligent measurement

Measurement-calculation mode:

- energies are calculated on the basis of the instantaneous power values, in two manners:
 - the traditional mode where only positive (consumed) energies are considered
 - the signed mode where the positive (consumed) and negative (supplied) energies are considered separately
- measurement functions implement the new “zero blind time” concept which consists in continuously measuring signals at a high sampling rate. The traditional “blind window” used to process samples no longer exists. This method ensures accurate energy calculations even for highly variable loads (welding machines, robots, etc.).

Always powered

All current-based protection functions require no auxiliary source. Voltage-based protection functions are connected to AC power via a voltage measurement input built into the circuit breaker.

Stored information

The fine setting adjustments, the last 100 events and the maintenance register remain in the control-unit memory even when power is lost.

Micrologic H control units include all the functions offered by Micrologic P. Integrating significantly enhanced calculation and memory functions, the Micrologic H control unit offers in-depth analysis of power quality and detailed event diagnostics. It is intended for operation with a supervisor.

In addition to the Micrologic P functions, the Micrologic H control unit offers:

- in-depth analysis of power quality including calculation of harmonics and the fundamentals
- diagnostics aid and event analysis through waveform capture
- enhanced alarm programming to analyse and track down a disturbance on the AC power system.

Measurements

The Micrologic H control unit offers all the measurements carried out by Micrologic P, with in addition:

- phase by phase measurements of:
 - power, energy
 - power factors
- calculation of:
 - current and voltage total harmonic distortion (THD)
 - current, voltage and power fundamentals
 - current and voltage harmonics up to the 31st order.

Instantaneous values displayed on the screen

Currents

I rms	A	1	2	3	N
	A	E-fault		E-leakage	
I max rms	A	1	2	3	N
	A	E-fault		E-leakage	

Voltages

U rms	V	12	23	31
V rms	V	1N	2N	3N
U average rms	V	(U12 + U23 + U31) / 3		
U unbalance	%			

Power, energy

P active, Q reactive, S apparent	W, Var, VA	Totals	1	2	3
E active, E reactive, E apparent	Wh, VARh, VAh	Totals consumed - supplied			
		Totals consumed			
		Totals supplied			
Power factor	PF	Total	1	2	3

Frequencies

F	Hz
---	----

Power-quality indicators

Total fundamentals		U	I	P	Q	S	
THD	%	U	I				
U and I harmonics	Amplitude	3	5	7	9	11	13

Harmonics 3, 5, 7, 9, 11 and 13, monitored by electrical utilities, are displayed on the screen.

Demand measurements

Similar to the Micrologic P control unit, the demand values are calculated over a fixed or sliding time window that may be set from 5 to 60 minutes.

Currents

I demand	A	1	2	3	N
	A	E-fault		E-leakage	
I max demand	A	1	2	3	N
	A	E-fault		E-leakage	

Power

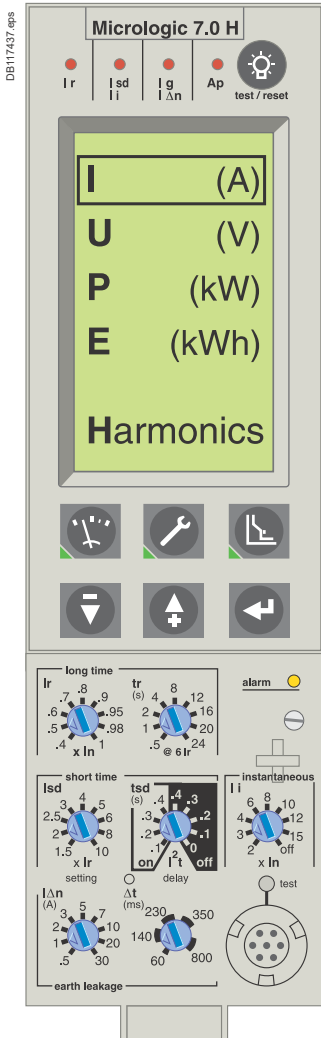
P, Q, S demand	W, Var, VA	Totals
P, Q, S max demand	W, Var, VA	Totals

Maximeters

Only the current maximeters may be displayed on the screen.

Histories and maintenance indicators

These functions are identical to those of the Micrologic P.



Note: Micrologic H control units come with a non-transparent lead-seal cover as standard.

With the communication option

Additional measurements, maximeters and minimeters

Certain measured or calculated values are only accessible with the COM communication option:

- $I_{\text{peak}} / \sqrt{2} (I_1 + I_2 + I_3) / 3, I_{\text{unbalance}}$
- load level in % Ir
- power factor (total and per phase)
- voltage and current THD
- K factors of currents and average K factor
- crest factors of currents and voltages
- all the fundamentals per phase
- fundamental current and voltage phase displacement
- distortion power and distortion factor phase by phase
- amplitude and displacement of current and voltage harmonics 3 to 31 etc.
- the maximeters and minimeters are available only via the COM option (BCM ULP) for use with a supervisor.

Waveform capture

The Micrologic H control unit stores the last 4 cycles of each instantaneous current or voltage measurement. On request or automatically on programmed events, the control unit stores the waveforms. The waveforms may be displayed in the form of oscillograms by a supervisor via the COM option (BCM ULP). Definition is 64 points per cycle.

Pre-defined analogue alarms (1 to 53)

Each alarm can be compared to user-set high and low thresholds. Overrun of a threshold generates an alarm. An alarm or combinations of alarms can be linked to programmable action such as selective recording of measurements in a log, waveform capture, etc.

Event log and maintenance registers

The Micrologic H offers the same event log and maintenance register functions as the Micrologic P. In addition, it produces a log of the minimums and maximums for each "real-time" value.

Additional technical characteristics

Setting the display language

System messages may be displayed in six different languages. The desired language is selected via the keypad.

Protection functions

All current-based protection functions require no auxiliary source. Voltage-based protection functions are connected to AC power via a voltage measurement input built into the circuit breaker.

Measurement functions

Measurement functions are independent of the protection functions. The high-accuracy measurement module operates independently of the protection module, while remaining synchronised with protection events.

Measurement-calculation mode

An analogue calculation function dedicated to measurements enhances the accuracy of harmonic calculations and the power-quality indicators. The Micrologic H control unit calculates electrical magnitudes using 1.5 x In dynamics (20 x In for Micrologic P).

Measurement functions implement the new "zero blind time" concept. Energies are calculated on the basis of the instantaneous power values, in the traditional and signed modes.

Harmonic components are calculated using the discrete Fourier transform (DFT).

Accuracy of measurements (including sensors)

- voltage (V) 0.5 %
- current (A) 1.5 %
- frequency (Hz) 0.1 %
- power (W) and energy (Wh) 2 %
- total harmonic distortion 1 %.

Stored information

The fine-setting adjustments, the last 100 events and the maintenance register remain in the control-unit memory even when power is lost.

Time-stamping

Time-stamping is activated as soon as time is set manually or by a supervisor no external power supply module is required (max. drift of 1 hour per year).

Reset

An individual reset, via the keypad or remotely, acts on alarms, minimum and maximum data, peak values, the counters and the indicators.

Power Meter functions

Micrologic A/E/P/H control unit with COM option (BCM ULP) and COM Ethernet gateway

In addition to protection functions, Micrologic A/E/P/H control units offer all the functions of Power Meter products as well as operating-assistance for the circuit breaker.

Micrologic A/E/P/H measurement functions are made possible by Micrologic intelligence and the accuracy of the sensors. They are handled by a microprocessor that operates independent of protection functions.

Display

FDM121 display unit (one to one)

The FDM121 switchboard display unit can be connected to a COM option (BCM ULP) using a breaker ULP cord to display all measurements on a screen (1). The result is a veritable 96 x 96 mm Power Meter.

The FMD121 display unit requires a 24 V DC power supply. The COM option (BCM ULP) unit is supplied by the same power supply via the breaker ULP cord connecting it to the FDM121.

(1) See page A-30.

FDM128 display unit (one to eight)

Using an IFE Ethernet interface for LV breakers.

For all FDM, in addition to the information displayed on the Micrologic LCD, the FDM screen shows demand, power quality and maximeter/minimeter values along with histories and maintenance indicators.

Measurements

Instantaneous rms measurements

The Micrologic continuously display the RMS value of the highest current of the three phases and neutral (Imax). The navigation buttons can be used to scroll through the main measurements.

In the event of a fault trip, the trip cause is displayed.

The Micrologic A measures phase, neutral, ground fault currents.

The Micrologic E offers voltage, power, Power Factor, measurements in addition to the measurements provided by Micrologic A.

The Micrologic P/H offer frequency, $\cos \phi$ in addition to the measurements provided by Micrologic E.

Maximeters / minimeters

Every instantaneous measurement provided by Micrologic A or E can be associated with a maximeter/minimeter. The maximeters for the highest current of the 3 phases and neutral, the demand current and power can be reset via the FDM display unit or the communication system.

Energy metering

The Micrologic E/P/H also measures the energy consumed since the last reset of the meter. The active energy meter can be reset via Micrologic keypad or the FDM display unit or the communication system.

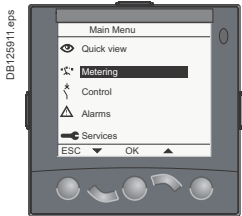
Demand and maximum demand values

Micrologic E/P/H also calculates demand current and power values. These calculations can be made using a block or sliding interval that can be set from 5 to 60 minutes in steps of 1 minute. The window can be synchronised with a signal sent via the communication system. Whatever the calculation method, the calculated values can be recovered on a PC via Modbus communication.

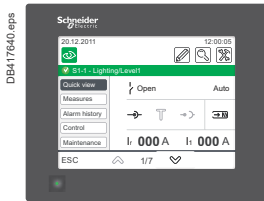
Ordinary spreadsheet software can be used to provide trend curves and forecasts based on this data. They will provide a basis for load shedding and reconnection operations used to adjust consumption to the subscribed power.

Power quality

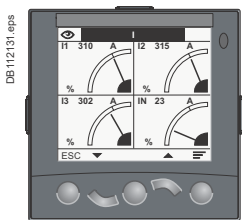
Micrologic H calculates power quality indicators taking into account the presence of harmonics up to the 15th order, including the total harmonic distortion (THD) of current and voltage.



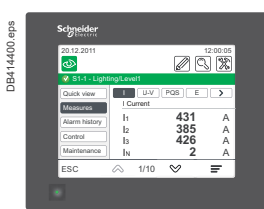
FDM121 display: navigation.



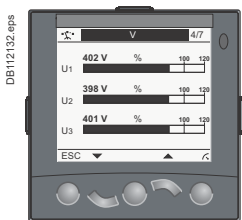
FDM128 display: navigation.



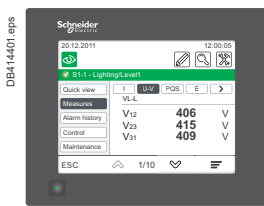
FDM121 display: current.



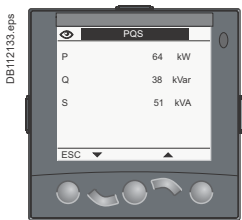
FDM128 display: current.



FDM121 display: voltage.



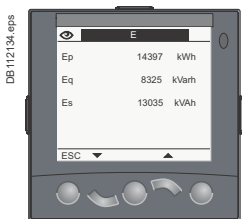
FDM128 display: voltage.



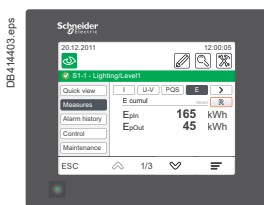
FDM121 display: power.



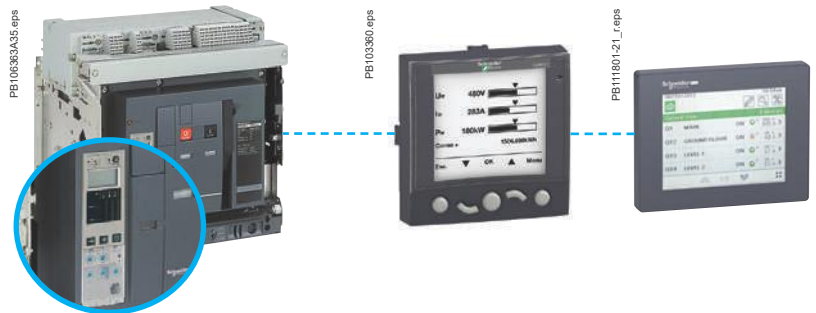
FDM128 display: power.



FDM121 display: consumption.
Examples of measurement screens on the FDM121 display unit.



FDM128 display: consumption.



Micrologic A/E/P/H integrated Power Meter functions			Type		Display	
			A/E	P/H	Micrologic LCD	FDM display
Display of protection settings						
Pick-ups (A) and delays	All settings can be displayed	Ir, tr, lsd, tsd, li, lg, tg	A/E	P/H	■	-
Measurements						
Instantaneous rms measurements						
Currents (A)	Phases and neutral	I1, I2, I3, IN	A/E	P/H	■	■
	Average of phases	$I_{avg} = (I1 + I2 + I3) / 3$	A/E	P/H	-	■
	Highest current of the 3 phases and neutral	I _{max} of I1, I2, I3, IN	A/E	P/H	■	■
	Ground fault (Micrologic 6)	% I _g (pick-up setting)	A/E	P/H	■	■
	Current unbalance between phases	% I _{avg}	-/E	P/H	-	■
Voltages (V)	Phase-to-phase	V12, V23, V31	-/E	P/H	■	■
	Phase-to-neutral	V1N, V2N, V3N	-/E	P/H	■	■
	Average of phase-to-phase voltages	$V_{avg} = (V12 + V23 + V31) / 3$	-/E	P/H	-	■
	Average of phase-to-neutral voltages	$V_{avg} = (V1N + V2N + V3N) / 3$	-/E	P/H	-	■
	Ph-Ph and Ph-N voltage unbalance	% V _{avg} and % V _{avg}	-/E	P/H	-	■
	Phase sequence	1-2-3, 1-3-2	-/-	P/H	■	■ ⁽³⁾
Frequency (Hz)	Power system	f	-/-	P/H	■	■
Power	Active (kW)	P, total	-/E	P/H	■	■
		P, per phase	-/E	P/H	■ ⁽²⁾	■
	Reactive (kVAR)	Q, total	-/E	P/H	■	■
		Q, per phase	-/-	P/H	■	■
	Apparent (kVA)	S, total	-/E	P/H	■	■
		S, per phase	-/-	P/H	■	■
	Power Factor	PF, total	-/E	P/H	■	■
		PF, per phase	-/-	P/H	■	■
Cos.φ	Cos.φ, total	-/-	P/H	■	■	
	Cos.φ, per phase	-/-	P/H	■	■	
Maximeters / minimeters						
	Associated with instantaneous rms measurements	Reset via FDM display unit and Micrologic keypad	A/E	P/H	■	■
Energy metering						
Energy	Active (kW), reactive (kVARh), apparent (kVAh)	Total since last reset	-/E	P/H	■	■
Demand and maximum demand values						
Demand current (A)	Phases and neutral	Present value on the selected window	-/E	P/H	■	■
		Maximum demand since last reset	-/E	P/H	■ ⁽²⁾	■
Demand power	Active (kWh), reactive (kVAR), apparent (kVA)	Present value on the selected window	-/E	P/H	■	■
		Maximum demand since last reset	-/E	P/H	■ ⁽²⁾	■
Calculation window	Sliding, fixed or com-synchronised	Adjustable from 5 to 60 minutes in 1 minute steps ⁽¹⁾	-/E	P/H	-	-
Power quality						
Total harmonic distortion (%)	Of voltage with respect to rms value	THDU, THDV of the Ph-Ph and Ph-N voltage	-/-	H	■	■
	Of current with respect to rms value	THDI of the phase current	-/-	H	■	■

(1) Available via the communication system only.

(2) Available for Micrologic P/H only.

(3) FDM121 only.

Operating-assistance functions

Micrologic A/E/P/H control unit with COM option (BCM ULP)

Histories

- Trip indications in clear text in a number of user-selectable languages.
- Time-stamping: date and time of trip.



Maintenance indicators

Micrologic control unit have indicators for, among others, the number of operating cycles, contact wear P/H, load profile and operating times (operating hours counter) of the Masterpact circuit breaker.

It is possible to assign an alarm to the operating cycle counter to plan maintenance. The various indicators can be used together with the trip histories to analyse the level of stresses the device has been subjected to.

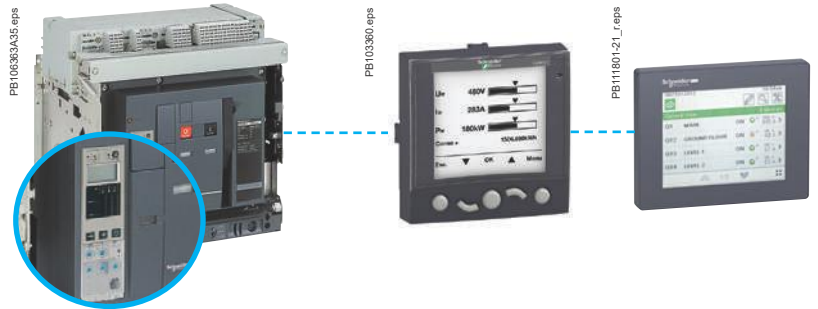


Management of installed devices

Each circuit breaker equipped with a COM option (BCM ULP) can be identified via the communication system:

- serial number
- firmware version
- hardware version
- device name assigned by the user.

This information together with the previously described indications provides a clear view of the installed devices.



Micrologic A/E/P/H operating assistance functions			Type		Display	
			A/E	P/H	Micrologic LCD	FDM display
Operating assistance						
Trip history						
Trips	Cause of tripping	Ir, I _{sd} , I _i , I _g , I Δ n	- /E	P/H	■	■
Maintenance indicators						
Counter	Mechanical cycles	Assignable to an alarm	A/E	P/H	-	■
	Electrical cycles	Assignable to an alarm	A/E	P/H	-	■
	Hours	Total operating time (hours) ⁽¹⁾	A/E	P/H	-	-
Indicator	Contact wear	%	- / -	P/H	-	■
Load profile	Hours at different load levels	% of hours in four current ranges: 0-49 % I _n , 50-79 % I _n , 80-89 % I _n and \geq 90 % I _n	A/E	P/H	-	■

⁽¹⁾ Available via the communication system only.

Additional technical characteristics

Contact wear

Each time Masterpact opens, the Micrologic P/H trip unit measures the interrupted current and increments the contact-wear indicator as a function of the interrupted current, according to test results stored in memory. Breaking under normal load conditions results in a very slight increment. The indicator value may be read on the FDM display. It provides an estimation of contact wear calculated on the basis of the cumulative forces affecting the circuit breaker. When the indicator reaches 100 %, it is advised to inspect the circuit breaker to ensure the availability of the protected equipment.

Circuit breaker load profile

Micrologic A/E/P/H calculates the load profile of the circuit breaker protecting a load circuit. The profile indicates the percentage of the total operating time at four current levels (% of breaker I_n):

- 0 to 49 % I_n
- 50 to 79 % I_n
- 80 to 89 % I_n
- \geq 90 % I_n.

This information can be used to optimise use of the protected equipment or to plan ahead for extensions.

Switchboard-display functions

Micrologic A/E/P/H control unit with COM option (BCM ULP)

Micrologic measurement capabilities come into full play with the FDM121 switchboard display. It connects to COM option (BCM ULP) via a breaker ULP cord and displays Micrologic information. The result is a true integrated unit combining a circuit breaker and a Power Meter. Additional operating assistance functions can also be displayed.

FDM121 switchboard display

An FDM121 switchboard display unit can be connected to a ULP IMU using a prefabricated cord to display all measurements, alarms, histories and event tables, maintenance indicators, management of installed devices on a screen. The result is a veritable 96 x 96 mm Power Meter.

The FMD121 display unit requires a 24 V DC power supply.

The FDM121 is a switchboard display unit that can be integrated in the Compact NSX100 to 630 A, Powerpact H/J/L/P/R, compact NS or Masterpact systems. It uses the sensors and processing capacity of the Micrologic trip unit. It is easy to use and requires no special software or settings. It is immediately operational when connected to the Compact NSX by a simple cord.

Also, it provides monitoring and control with the use of the I/O application module, the motor mechanism module, or the Breaker Status module.

The FDM121 is a large display, but requires very little depth. The anti-glare graphic screen is backlit for very easy reading even under poor ambient lighting and at sharp angles.

Display of Micrologic measurements and alarms

The FDM121 is intended to display Micrologic 5 / 6 measurements, alarms and operating information. It cannot be used to modify the protection settings.

Measurements may be easily accessed via a menu. All user-defined alarms are automatically displayed. The display mode depends on the priority level selected during alarm set-up:

- high priority: a pop-up window displays the time-stamped description of the alarm and the orange LED flashes
- medium priority: the orange "Alarm" LED goes steady on
- low priority: no display on the screen.

All faults resulting in a trip automatically produce a high-priority alarm, without any special settings required. In all cases, the alarm history is updated. Micrologic saves the information in its non-volatile memory in the event of an FDM121 power failure.

Status indications and remote control

When the circuit breaker is equipped with the Breaker Status Module, the FDM121 display can also be used to view circuit breaker status conditions:

- O/F: ON/OFF
- SD: trip indication
- SDE: Fault-trip indication (overload, short-circuit, ground fault).

When the circuit breaker system is equipped with the I/O application module, the FDM121 can monitor and control:

- cradle management
- circuit breaker operation
- light and load control
- custom application.

When the circuit breaker system is equipped with the motor mechanism module, the FDM121 offers remote closing and opening control.

Main characteristics

- 96 x 96 x 30 mm screen requiring 10 mm behind the door (or 20 mm when the 24 V power supply connector is used).
 - White backlighting.
 - Wide viewing angle: vertical $\pm 60^\circ$, horizontal $\pm 30^\circ$.
 - High resolution: excellent reading of graphic symbols.
 - Alarm LED: flashing orange for alarm pick-up, steady orange after operator reset if alarm condition persists.
 - Operating temperature range -10°C to $+55^\circ\text{C}$.
 - CE / UL / CSA marking (pending).
 - 24 V DC power supply, with tolerances 24 V -20% (19.2 V) to 24 V $+10\%$ (26.4 V).
- When the FDM121 is connected to the communication network, the 24 V DC can be supplied by the communication system wiring system.
- Consumption 40 mA.

Mounting

The FDM121 is easily installed in a switchboard.

- Standard door cut-out 92 x 92 mm.
- Attached using clips.

To avoid a cut-out in the door, an accessory is available for surface mounting by drilling only two 22 mm diameter holes.

The FDM121 degree of protection is IP54 in front. IP54 is maintained after switchboard mounting by using the supplied gasket during installation.

Connection

The FDM121 is equipped with:

- a 24 V DC terminal block:
 - plug-in type with 2 wire inputs per point for easy daisy-chaining
 - power supply range of 24 V DC -20% (19.2 V) to 24 V DC $+10\%$ (26.4 V).

A 24 V DC type auxiliary power supply must be connected to a single point on the ULP system. The FDM121 display unit has a 2-point screw connector on the rear panel of the module for this purpose. The ULP module to which the auxiliary power supply is connected distributes the supply via the ULP cable to all the ULP modules connected to the system and therefore also to Micrologic.



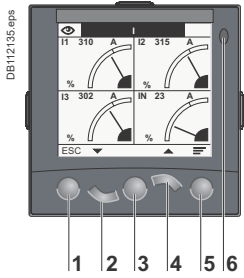
FDM121 display.



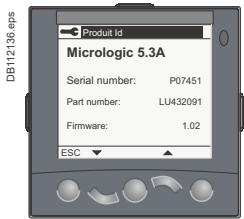
Surface mount accessory.



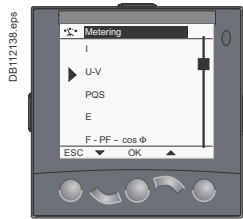
Connection with FDM121 display unit.



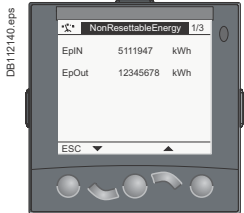
- 1 Escape
- 2 Down
- 3 OK
- 4 Up
- 5 Context
- 6 Alarm LED



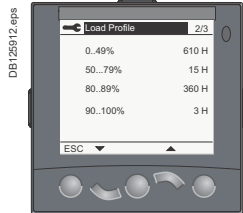
Product identification.



Metering: sub-menu.



Metering: meter.



Services.

- two RJ45 jacks.

The Micrologic connects to the internal communication terminal block on the Masterpact via the breaker ULP cord. Connection to one of the RJ45 connectors on the FDM121 automatically establishes communication between the Micrologic and the FDM121 and supplies power to the Micrologic measurement functions. When the second connector is not used, it must be fitted with a line terminator.

Navigation

Five buttons are used for intuitive and fast navigation.

The "Context" button may be used to select the type of display (digital, bargraph, analogue).

The user can select the display language (Chinese, English, French, German, Italian, Portuguese, Spanish, etc.).

Screens

Main menu

When powered up, the FDM121 screen automatically displays the ON/OFF status of the device.

- Quick view
- Alarms
- Metering
- Services.
- Control

When not in use, the screen is not backlit. Backlighting can be activated by pressing one of the buttons. It goes off after 3 minutes.

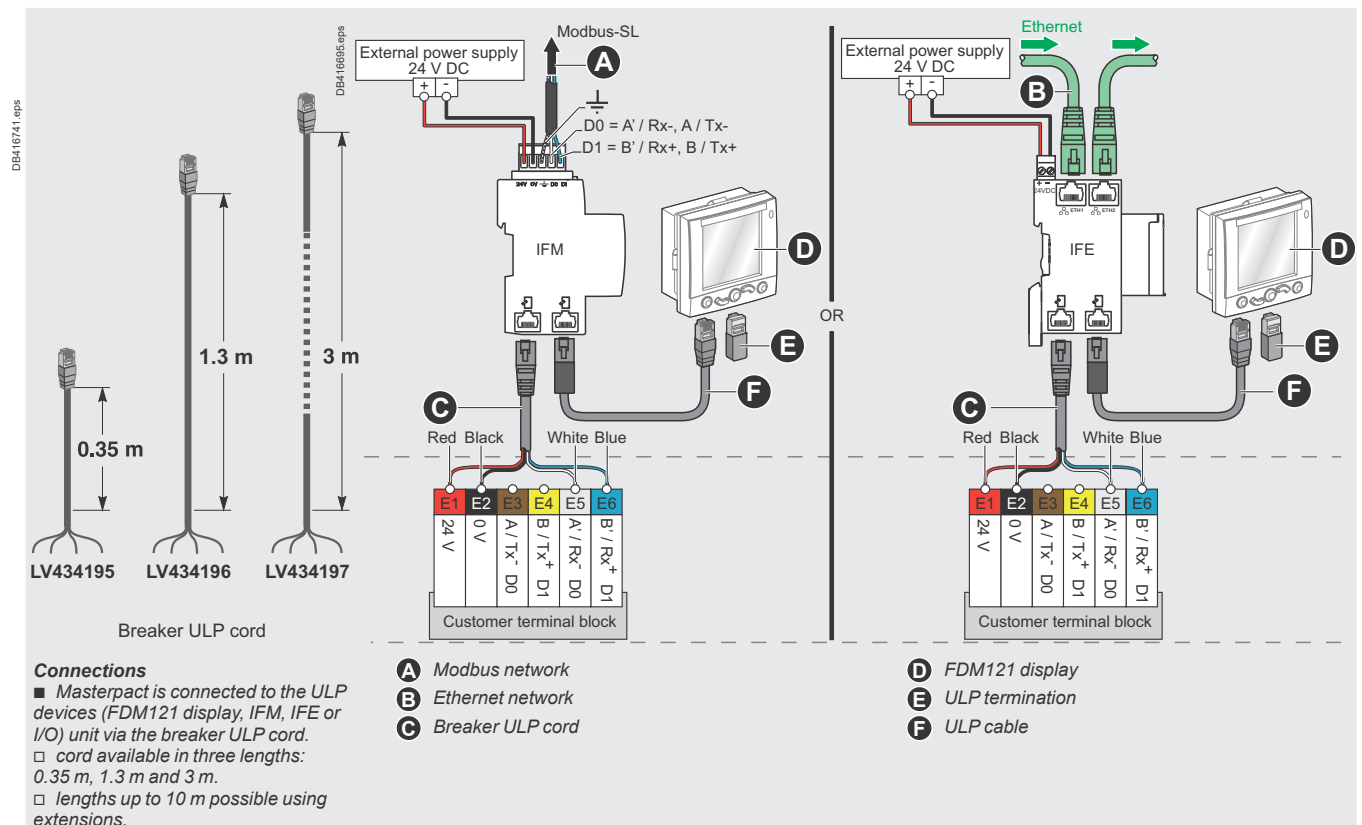
Fast access to essential information

■ "Quick view" provides access to five screens that display a summary of essential operating information (I, U, f, P, E, THD, circuit breaker On / Off).

Access to detailed information

- "Metering" can be used to display the measurement data (I, U-V, f, P, Q, S, E, THD, PF) with the corresponding min/max values.
- Alarms displays active alarms and the alarm history.
- Services provides access to the operation counters, energy and maximeter reset
- function, maintenance indicators, identification of modules connected to the internal bus and FDM121 internal settings (language, contrast, etc.).

Communication components and FDM121 connections



Switchboard-display functions

Micrologic A/E/P/H control unit with COM Ethernet gateway

Micrologic measurement capabilities come into full play with the FDM128 switchboard display. It connects to Ethernet communication via RJ45 port and displays Micrologic information. The result is a true integrated unit combining a circuit breaker and a Power Meter. Additional operating assistance functions can also be displayed.

FDM128 switchboard display

The FDM128 is an intelligent Ethernet display. It collects the data from up to 8 devices via Ethernet network.

The FDM128 switchboard display unit can be connected to a Micrologic COM option (BCM ULP via IFE). It uses the sensors and processing capacity of the Micrologic control unit. It is easy to use and requires no special software or settings.

The FDM128 is a large display, but requires very little depth. The anti-glare graphic screen is backlit for very easy reading even under poor ambient lighting and at sharp angles.

FDM128 switchboard display is designed to manage up to 8 devices (Masterpact NT/NW, Compact NS, Compact NSX or Smartlink).

Display of Micrologic measurements and trips

The FDM128 is intended to display Micrologic A/E measurements, trips and operating information. It cannot be used to modify the protection settings.

Measurements may be easily accessed via a menu.

Trips are automatically displayed.

A pop-up window displays the time-stamped description of the trip.

Status indications

When the circuit breaker is equipped with the Breaker Status Command Module (BSCM) and NSX cord, the FDM128 display can also be used to view circuit breaker status conditions:

- O/F: ON/OFF
- SDE: Fault-trip indication (overload, short-circuit, ground fault)
- CE, CD cradle management with I/O application module.

Remote control

When the circuit breaker is equipped with the BSCM, NSX cord and Communication Motor Mechanism (MTC), the FDM128 display can also be used to control (open/close) the circuit breaker.

Main characteristics

- 115.2 x 86.4 mm with 5.7" QVGA display 320 x 240 pixels.
- Color TFT LCD, LED backlight.
- Wide viewing angle: vertical $\pm 80^\circ$, horizontal $\pm 70^\circ$.
- High resolution: excellent reading of graphic symbols.
- Operating temperature range -10°C to $+55^\circ\text{C}$.
- CE / UL / CSA marking (pending).
- 24 V DC power supply, with tolerances 24 V (limit 20.4 - 28.8 V DC).
- Consumption ≤ 6.8 W.

Mounting

The FDM128 is easily installed in a switchboard.

- Standard door hole $\varnothing 22$ mm.

The FDM128 degree of protection is IP65 in front and IP54.

Connection

The FDM128 is equipped with:

- a 24 V DC terminal block:
 - power supply range of 24 V DC (limit 20.4 - 28.8 V DC). The FDM128 display unit has a 2-point screw connector on the rear panel of the module for this purpose.
 - One RJ45 Ethernet jacks.

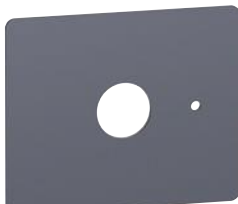
The Micrologic connects to the internal communication terminal block on the Masterpact via the breaker ULP cord and Ethernet connection through IFE.

PB111801-32_reps



FDM128 display.

PB111802-32_reps



Surface mount accessory.

PB111805-32_reps

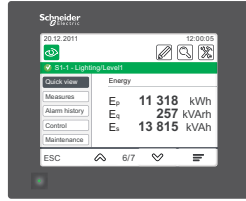


DB414405 eps



Product identification.

DB414407 eps



Metering: meter.

DB414408 eps



Services.

Navigation

Touch screen is used for intuitive and fast navigation. The user can select the display language (Chinese, English, French, German, Italian, Portuguese, Spanish, etc.).

Screens

Main menu



Quick view



Alarms



Metering



Maintenance.



Control

When not in use, the screen is automatically shifted to low back-lighting.

Fast access to essential information

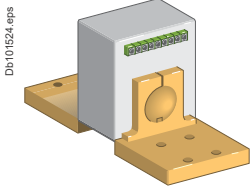
■ "Quick view" provides access to five screens that display a summary of essential operating information (I, U, f, P, E, THD, circuit breaker On / Off).

Access to detailed information

■ "Metering" can be used to display the measurement data (I, U-V, f, P, Q, S, E, THD, PF) with the corresponding min/max values.

■ Alarms displays the trip history.

■ Services provides access to the operation counters, energy and maximeter reset function, maintenance indicators, identification of modules connected to the internal bus and FDM128 internal settings (language, contrast, etc.).



External sensor (CT).



Rectangular sensor.



External sensor for source ground return protection.



Long time rating plug.



External 24 V DC power supply module.

External sensors

External sensor for earth-fault and neutral protection

The sensors, used with the 3P circuit breakers, are installed on the neutral conductor for:

- neutral protection (with Micrologic P and H)
- residual type earth-fault protection (with Micrologic A, E, P and H).

The rating of the sensor (CT) must be compatible with the rating of the circuit breaker:

- NT06 to NT16: TC 400/1600
- NW08 to NW20: TC 400/2000
- NW25 to NW40: TC 1000/4000
- NW40b to NW63: TC 4000/6300.

For oversized neutral protection the sensor rating must be compatible with the measurement range: $1.6 \times I_n$ (available up to NW40 and NT16).

Rectangular sensor for earth-leakage protection

The sensor is installed around the busbars (phases + neutral) to detect the zero-phase sequence current required for the earth-leakage protection. Rectangular sensors are available in two sizes.

Inside dimensions (mm)

- 280 x 115 up to 1600 A for Masterpact NT and NW
- 470 x 160 up to 3200 A for Masterpact NW.

External sensor for source ground return protection (SGR)

The sensor is installed around the connection of the transformer neutral point to earth and connects to the Micrologic 6.0 control unit via an MDGF module to provide the source ground return (SGR) protection.

Voltage measurement inputs

Voltage measurement inputs are required for power measurements (Micrologic P or H) and for earth-leakage protection (Micrologic 7...).

As standard, the control unit is supplied by internal voltage measurement inputs placed downstream of the pole for voltages between 220 and 690 V AC. On request, it is possible to replace the internal voltage measurement inputs by an external voltage input (PTE option) which enables the control unit to draw power directly from the distribution system upstream of the circuit breaker. An 3 m cable with ferrite comes with this PTE option.

Long-time rating plug

Four interchangeable plugs may be used to limit the long-time threshold setting range for higher accuracy.

The time delay settings indicated on the plugs are for an overload of 6 I_r (for further details, see the characteristics on [page A-11](#) and [page A-15](#)).

As standard, control units are equipped with the 0.4 to 1 plug.

Setting ranges

Standard	$I_r = I_n \times \dots$	0.4	0.5	0.6	0.7	0.8	0.9	0.95	0.98	1
Low-setting option	$I_r = I_n \times \dots$	0.4	0.45	0.50	0.55	0.60	0.65	0.70	0.75	0.8
High-setting option	$I_r = I_n \times \dots$	0.80	0.82	0.85	0.88	0.90	0.92	0.95	0.98	1
Off plug	No long-time protection ($I_r = I_n$ for lsd setting)									

Important: long-time rating plugs must always be removed before carrying out insulation or dielectric withstand tests.

External 24 V DC power-supply module (AD)

The external power-supply module makes it possible to use the display even if the circuit breaker is open or not supplied (for the exact conditions of use, see the "electrical diagrams" part of this catalogue).

This module powers both the control unit (100 mA) and the M2C and M6C programmable contacts (100 mA).

With the Micrologic A/E control unit, this module makes it possible to display currents of less than 20 % of I_n .

With the Micrologic P and H, it can be used to display fault currents after tripping.

If the COM option is used, a second dedicated power supply shall be used.

We recommend to use the AD power supply due to its low stray primary secondary capacitance. Good operation of the Micrologic trip unit in noisy environment is not guaranteed with other power supplies.

Characteristics

- Power supply:
 - 110/130, 200/240, 380/415 V AC, 50/60 Hz (+10 % -15 %)
 - 24/30, 48/60, 100/125 V DC (+20 % -20 %).
- Output voltage: 24 V DC $\pm 5 \%$, 1 A.
- Ripple < 1 %.
- Dielectric withstand : 3.5 kV rms between input/output, for 1 minute.
- Overvoltage category: as per IEC 60947-1 cat. 4.

PB100771-24.eps



Battery module

PB100774-32.eps



M2C.

PB100781-32.eps



M6C.

PB100775-32.eps



Lead-seal cover.

PB100837-48.eps



Portable test kit.

Battery module

The battery module maintains display operation and communication with the supervisor if the power supply to the Micrologic control unit is interrupted. It is installed in series between the Micrologic control unit and the AD module.

Characteristics

- Battery run-time: 4 hours (approximately).
- Mounted on vertical backplate or symmetrical rail.

M2C, M6C programmable contacts

These contacts are optional equipment for the Micrologic E, P and H control units. They are described with the indication contacts for the circuit breakers.

Micrologic	Type E	Types P, H
Characteristics	M2C	M2C/M6C
Minimum load	100 mA/24 V	100 mA/24 V
Breaking capacity (A) p.f.: 0.7	V AC 240	5
	380	3
V DC	24	1.8
	48	1.5
	125	0.4
	250	0.15

M2C: 24 V DC power supplied by control unit (consumption 100 mA).

M6C: external 24 V DC power supply required (consumption 100 mA).

Spare parts

Lead-seal covers

A lead-seal cover controls access to the adjustment dials.

When the cover is closed:

- it is impossible to modify settings using the keypad unless the settings lockout pin on the cover is removed
- the test connector remains accessible
- the test button for the earth-fault and earth-leakage protection function remains accessible.

Characteristics

- Transparent cover for basic Micrologic and Micrologic A, E control units
- Non-transparent cover for Micrologic P and H control units.

Spare battery

A battery supplies power to the LEDs identifying the tripping causes.

Battery service life is approximately ten years.

A test button on the front of the control unit is used to check the battery condition.

The battery may be replaced on site when discharged.

Test equipment

Hand-held test kit

The hand-held mini test kit may be used to:

- check operation of the control unit and the tripping and pole-opening system by sending a signal simulating a short-circuit
- supply power to the control units for settings via the keypad when the circuit breaker is open (Micrologic P and H control units).

Power source: standard LR6-AA battery.

Full function test kit

The test kit can be used alone or with a supporting personal computer.

The test kit without PC may be used to check:

- the mechanical operation of the circuit breaker
- the electrical continuity of the connection between the circuit breaker and the control unit
- operation of the control unit:
 - display of settings
 - automatic and manual tests on protection functions
 - test on the zone-selective interlocking (ZSI) function
 - inhibition of the earth-fault protection
 - inhibition of the thermal memory.

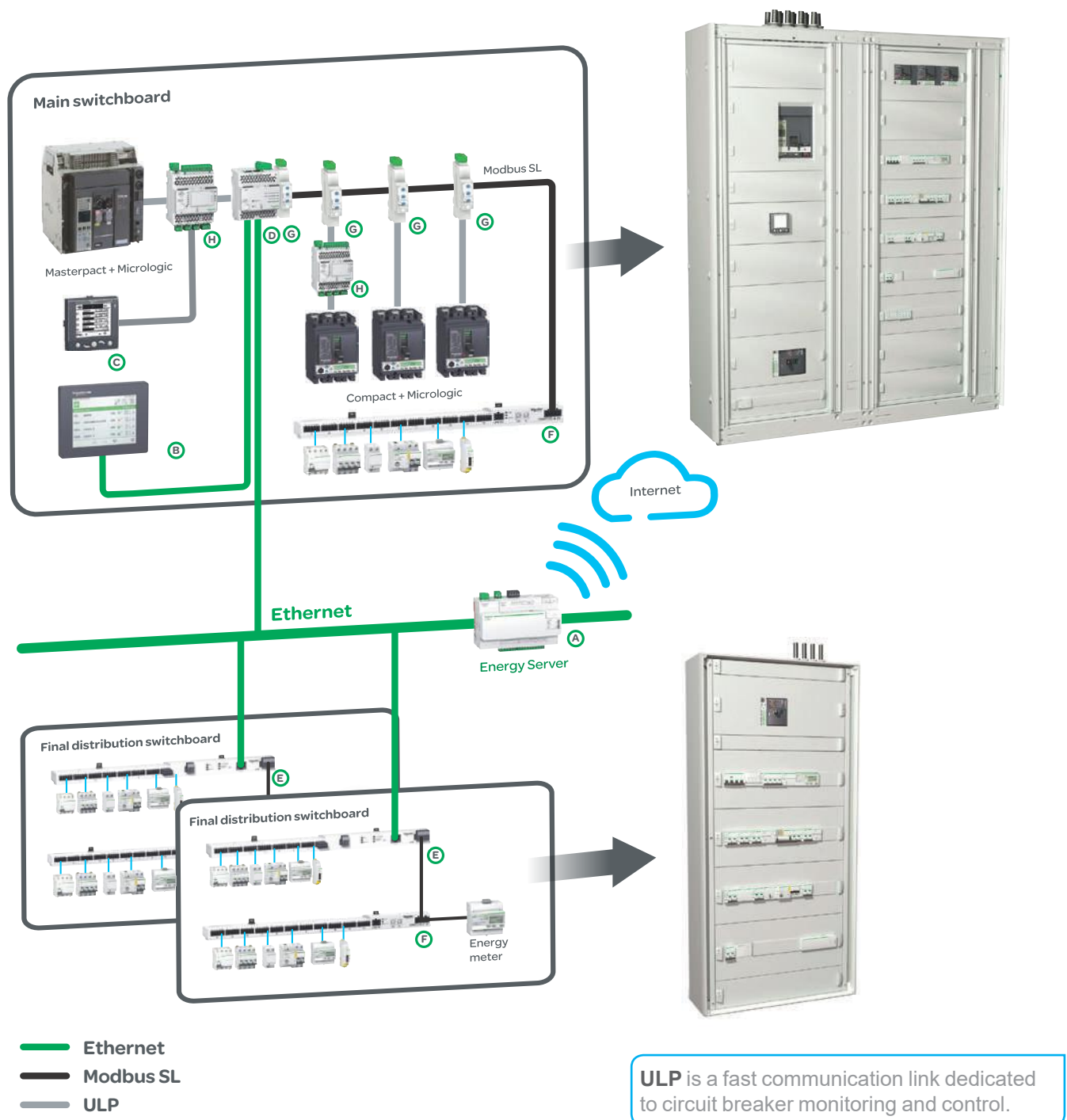
The test kit with PC offers in addition:

- the test report (software available on request).









Enerlin'X communication system provides access to status, electrical values and devices control using Ethernet and Modbus-SL communication protocols.

Ethernet has become the universal link between switchboards, computers and communication devices inside the building. The large amount of information which can be transferred makes the connection of Enerlin'X digital system to hosted web services of Schneider Electric a reality. More advantages are offered to integrators thanks to configuration web pages available remotely or on the local Ethernet network.

Modbus SL is the most widely used communication protocol in industrial networks. It operates in master-slave mode. The devices (slaves) communicate one after the other with a gateway (master).



Enerlin'X communication devices and displays

	Name	Function	Port		Bin. Input	Analog. Input	Bin. Output	Cial. Ref.
			(to device)	(to server)				
A	 Com'X 200	Energy Server with Ethernet Gateway ⁽¹⁾ function	Modbus Master	Ethernet cable + WiFi	6	2	-	EBX200
B	 FDM128	Ethernet LCD colour touch screen	-	Ethernet	-	-	-	LV434128
C	 FDM121	LCD display for circuit breaker	ULP	-	-	-	-	TRV00121
D		IFE interface + gateway	Ethernet interface ⁽²⁾ & Gateway	Modbus Master & ULP	Ethernet	-	-	LV434011
		IFE interface	Ethernet interface for circuit breakers	ULP	Ethernet	-	-	-
E	 Acti9 Smartlink Ethernet	Ethernet interface with Input/Output functions & Gateway	Modbus Master	Ethernet	14	2	7	A9XMEA08
F	 Acti9 Smartlink Modbus	Modbus interface with Input/Output functions	-	Modbus Slave	22	-	11	A9XMSB11
G	 IFM	Modbus interface for circuit breaker	ULP	Modbus Slave	-	-	-	TRV00210
H	 I/O	Input/Output application module for circuit breaker	ULP	ULP	6	-	3	LV434063

(1) Gateway: transfers data from a network to another (ie.: Modbus to Ethernet).

(2) Interface: transfers data from an equipment to a network (ie.: ULP to Modbus).



Plug and play commissioning tools give a real peace of mind to panel builders as their panels can be functionally checked before delivery.

Commissioning / maintenance tools

Web pages embedded into Com'X 200 and Acti9 Smartlink Ethernet gateways

Access with a standard PC and common browser:

- commissioning,
- communication diagnosis,
- functional tests...

Electrical Asset Manager

Loaded into a standard PC Error free commissioning. Time saving, easier management and maintenance thanks to the advanced services:

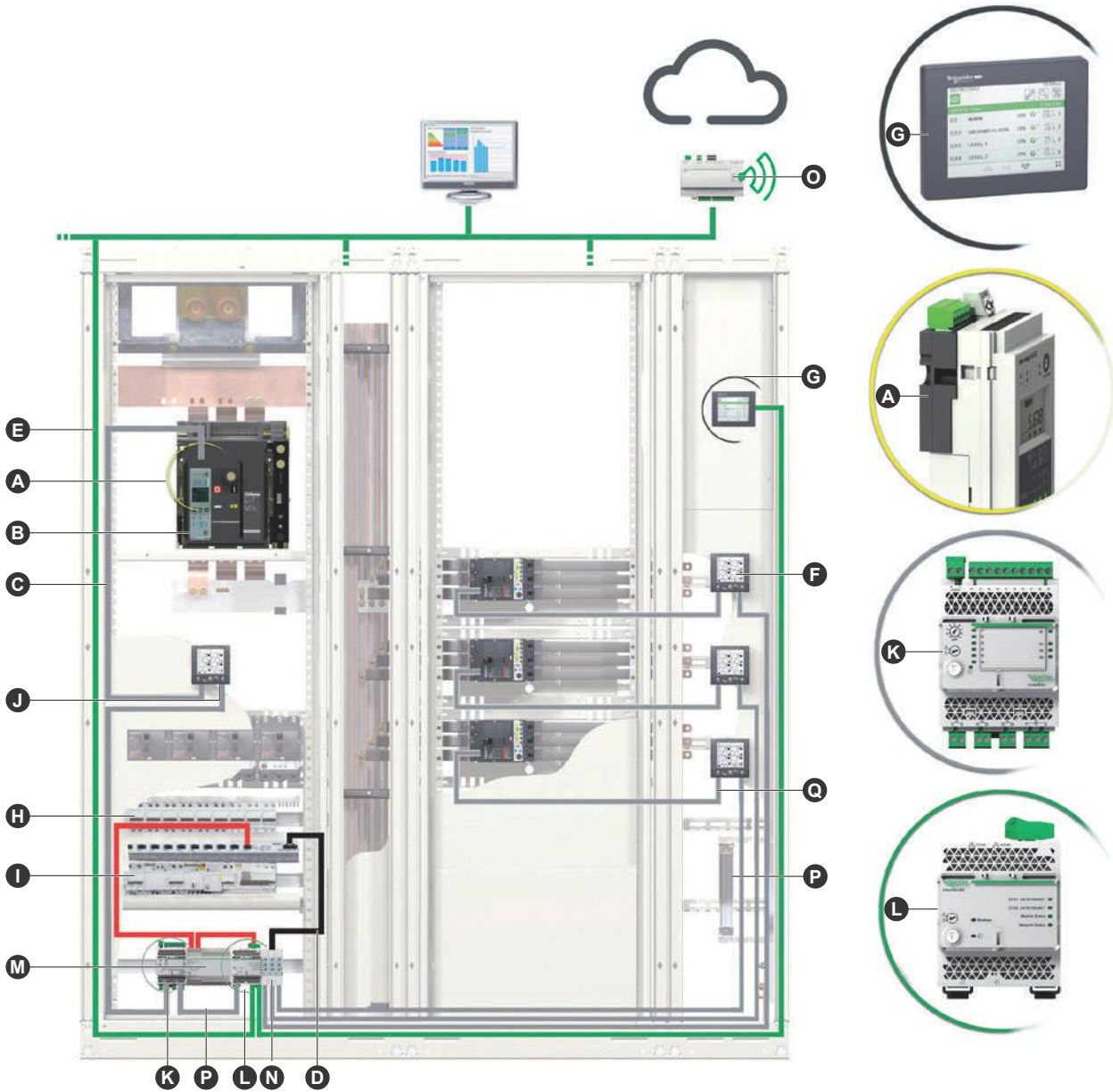
- project management,
- configuration of controllers, gateways, ...
- test of communication networks, diagnostic report...

Wiring system ULP

The wiring system is designed for low-voltage power switchboards. Installation requires no tools or special skills.

The prefabricated wiring ensures both data transmission (Modbus protocol) and 24 V DC power distribution for the communications modules on the Micrologic control units.

PB108180-eps



- A** BCM ULP: Breaker Communication Module with ULP port
- B** Micrologic control unit
- C** Breaker ULP cord

0.35 m	LV434195
1.3 m	LV434196
3 m	LV434197
- D** Modbus cable
- E** Ethernet cable
- F** FDM121: Front Display Module TRV00121
- G** FDM128: Front Display Module LV434128
- H** Smartlink A9XMSB11
- I** Acti9
- J** ULP line terminators TRV00880
- K** I/O (Input/Output) application module LV434063

- L** IFE: Ethernet interface LV434010 or LV434011
 - M** External 24 V DC power supply module
 - N** IFM: Modbus-SL interface TRV00210
 - O** Com'X 200
 - P** ULP cable

0.3 m	TRV00803
0.6 m	TRV00806
1 m	TRV00810
2 m	TRV00820
3 m	TRV00830
5 m	TRV00850
 - Q** NSX cord

0.35 m	LV434200
1.3 m	LV434201
3 m	LV434202
- Ethernet
— Modbus
— ULP
— 24 V DC

Overview of functions

PB104834-eps



A: Micrologic with ammeter
 E: Micrologic "Energy"
 P: Micrologic "Power"
 H: Micrologic "Harmonics"

Note: see the description of the Micrologic control units for further details on protection and alarms, measurements, waveform capture, histories, logs and maintenance indicators.

Four functional levels

The Masterpact can be integrated into Ethernet and Modbus communication environment.

There are four possible functional levels that can be combined.

	Switch-disconnectors	Circuit breaker			
Status indications					
ON/OFF (O/F)	■	A	E	P	H
Spring charged CH	■	A	E	P	H
Ready to close	■	A	E	P	H
Fault-trip SDE	■	A	E	P	H
Connected / disconnected / test position CE/CD/CT (I/O application module only)	■	A	E	P	H
Controls					
MX1 open	■	A	E	P	H
XF close	■	A	E	P	H
Measurements					
Instantaneous measurement information	■	A	E	P	H
Averaged measurement information	■		E	P	H
Maximeter / minimeter	■	A	E	P	H
Energy metering	■		E	P	H
Demand for current and power	■		E	P	H
Power quality	■				H
Operating assistance					
Protection and alarm settings		A	E	P	H
Histories		A	E	P	H
Time stamped event tables		A	E	P	H
Maintenance indicators		A	E	P	H

Modbus principle

The Modbus RS 485 (RTU protocol) system is an open bus on which communicating Modbus devices (Compact NS with Modbus COM, Power Meter PM700, PM800, Sepam, VigiloHM, Compact NSX, etc.) are installed. All types of PLCs and microcomputers may be connected to the bus.

Addresses

The Modbus communication parameters (address, baud rate, parity) are entered using the keypad on the Micrologic A, E, P, H. For a switch-disconnector, it is necessary to use the Electrical Asset Manager or RSU (Remote Setting Utility) Micrologic utility.

Number of devices

The maximum number of devices that may be connected to the Modbus bus depends on the type of device (Compact with Modbus COM, PM700, PM800, Sepam, VigiloHM, Compact NSX, etc.), the baud rate (19200 is recommended), the volume of data exchanged and the desired response time. The RS 485 physical layer offers up to 32 connection points on the bus (1 master, 31 slaves).

A fixed device requires only one connection point (communication module on the device). A drawout device uses two connection points (communication modules on the device and on the chassis).

The number must never exceed 31 fixed devices or 15 drawout devices.

Length of bus

The maximum recommended length for the Modbus bus is 1200 meters.

Bus power source

A 24 V DC power supply is required (less than 20 % ripple, insulation class II).

Ethernet principle

Ethernet is a data link and physical layer protocol defined by IEEE 802.10 and 100 Mbps specifications that connects computer or other Ethernet devices. Ethernet is an asynchronous Carrier Sense Multiple Access with Collision detection (referred as CSMA/CD) protocol. Carrier Sense means that the hosts can detect whether the medium (coaxial cable) is idle or busy. Multiple Access means that multiple hosts can be connected to the common medium. Collision Detection means a host detects whether its transmission has collided with the transmission of another host (or hosts).

IFE Ethernet interface can be connected to a PC or a laptop over Ethernet. The maximum length of Ethernet cable is 100 meters. IFE Ethernet interface + gateway provides a Modbus TCP/IP gateway over Ethernet to enable Modbus TCP communication from a Modbus TCP master to any Modbus slave devices connected to it. The maximum active Modbus TCP client connection is twelve.

IFE Ethernet interface has an embedded web server (web page).

The Modbus RS 485 (RTU protocol) system is an open bus on which communicating Modbus devices (Compact NS with Modbus COM, Power Meter PM700, PM800, Sepam, VigiloHM, Compact NSX, etc.) are installed. All types of PLCs and microcomputers may be connected to the bus.

All the Masterpact devices can be fitted with the communication function thanks to the COM option. Masterpact uses the Ethernet or Modbus communications protocol for full compatibility with the supervision management systems. Eco COM is limited to the transmission of metering data and status. It is not used to communicate controls.



BCM ULP.



I/O application module.

For fixed and Drawout devices, the common communication option is made up of:

- a BCM ULP module, installed behind the Micrologic control unit and supplied with its set of sensors (OF, SDE, PF and CH micro switches) its kit for connection to XF and MX1 communicating voltage releases and its COM terminal block (inputs E1 to E6). This module is independent of the control unit. It receives and transmits information on the communication network. An infra-red link transmits data between the control unit and the communication module.

Consumption: 30 mA, 24 V.

- IFM, this module required for connection to the network, contains the Modbus address (1 to 99) declared by the user via the two dials in front. It automatically adapts (baud rate, parity) to the Modbus network in which it is installed.

Or

- IFE, the Ethernet interface for LV circuit breaker enables an intelligent modular unit (IMU), for example a Masterpact NT/NW or Compact NSX circuit breaker to be connected to an Ethernet network. Each circuit breaker has its own IFE and a corresponding IP address.

For drawout device the Cradle Management option must be added:

I/O (Input/Output) application module for LV breaker, the I/O application module is delivered with withdrawable devices ordered with the COM option, for cradle management. It must be installed on a DIN rail near the device. It must be connected to the ULP system and to the position contacts (CD, CT, CE) that transmit the position of the device in the cradle.

For communicating remote control, option with XF and MX1 communicating voltage releases must be added:

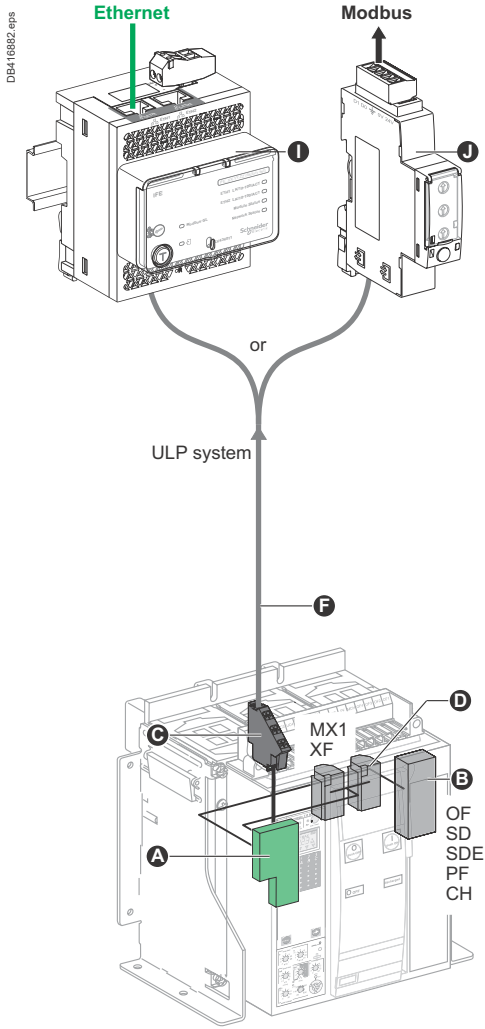
The XF and MX1 communicating voltage releases are equipped for connection to the "device" communication module.

The remote-tripping function (MX2 or MN) are independent of the communication option. They are not equipped for connection to the "device" communication module.

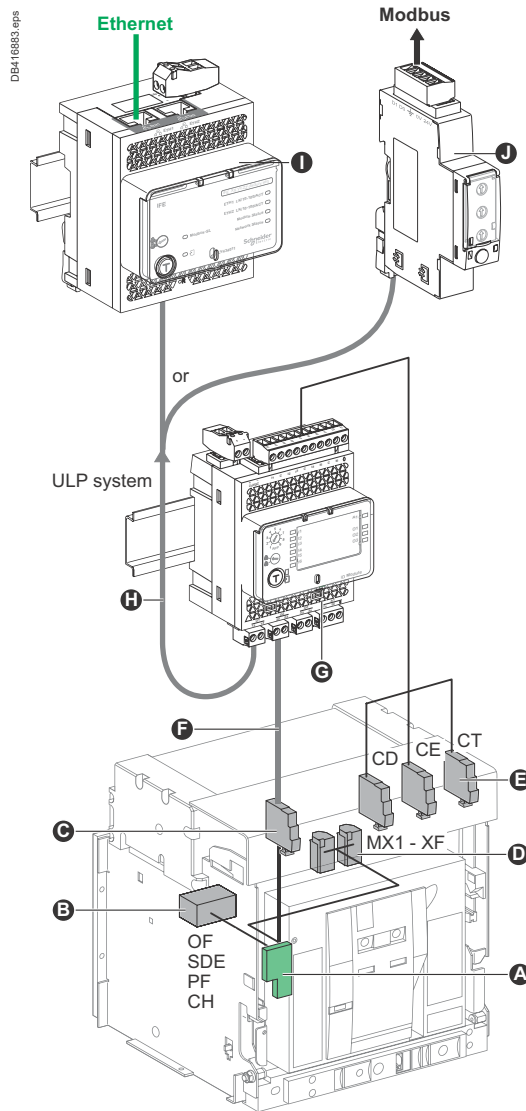
Communication architecture

Electrical operated

Fixed device



Drawout device



- A** BCM ULP
- B** OF, SDE ... microswitches
- C** COM terminal block (E1 to E6)
- D** MX1 and XF communicating voltage releases
- E** CE, CD and CT contacts

- F** Breaker ULP cord
- G** I/O application module
- H** ULP cable
- I** IFE module
- J** IFM module

PB112095-55.eps



IFE interface, ref.: LV434010

DB41983D.eps



IFE interface + gateway, ref.: LV434011

DB406743.eps



IFE interface, IFE interface + gateway description

Introduction

The IFE interface and IFE interface + gateway enable LV circuit breakers as Masterpact NT/NW, Compact NSX or Powerpact to be connected to an Ethernet network.

IFE interface: ref. LV434010

Provides an Ethernet access to a single LV circuit breaker.

Function

Interface - one circuit breaker is connected to the IFE interface via its ULP port.

IFE interface + gateway: ref. LV434011

Provides an Ethernet access to one or several LV circuit breakers.

Functions

- Interface - one circuit breaker is connected to the IFE interface via its ULP port.
- Gateway: several circuit breakers on a Modbus network are connected via the IFE interface + gateway master Modbus port.

IFE interface, IFE interface + gateway features

- Dual 10/100 Mbps Ethernet port for simple daisy chain connection.
- Device profile web service for discovery of the IFE interface, IFE interface + gateway on the LAN.
- ULP compliant for localization of the IFE interface in the switchboard.
- Ethernet interface for Compact, Masterpact and Powerpact circuit breakers.
- Gateway for Modbus-SL connected devices (IFE interface + gateway only).
- Embedded set-up web pages.
- Embedded monitoring web pages.
- Embedded control web pages.
- Built-in e-mail alarm notification.

Mounting

The IFE interface, IFE interface + gateway are DIN rail mounting devices. A stacking accessory enables the user to connect several IFMs (ULP to Modbus interfaces) to an IFE interface + gateway without additional wiring.

24 V DC power supply

The IFE interface, IFE interface + gateway must always be supplied with 24 V DC. The IFMs stacked to an IFE interface + gateway are supplied by the IFE interface + gateway, thus it is not necessary to supply them separately. It is recommended to use an UL listed and recognized limited voltage/limited current or a class 2 power supply with a 24 V DC, 3 A maximum.

IFE interface, IFE interface + gateway firmware update

The firmware can be updated using:

- FTP
- customer engineering tool.

Required circuit breaker communication modules

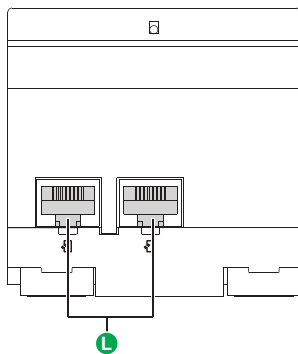
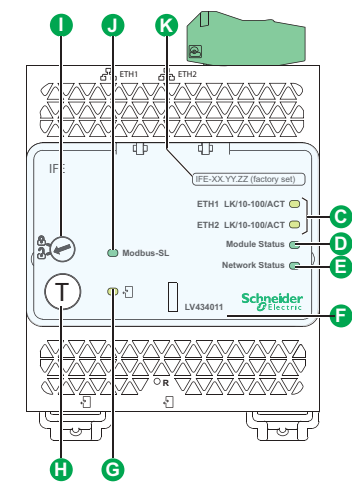
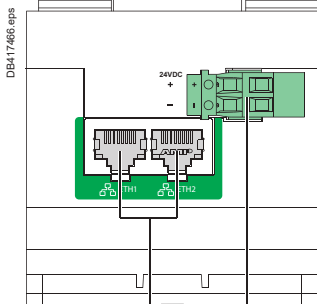
The connection to IFE interface or IFE interface + gateway requires a communication module embedded into the circuit breaker:

- Masterpact NT/NW (Fixed or drawout): BCM ULP communication module
- Drawout Masterpact NT/NW: BCM ULP and its respective I/O (Input/Output) application module.

All connection configurations for Masterpact NT/NW require the breaker ULP cord. The insulated NSX cord is mandatory for system voltages greater than 480 V AC. When the second ULP RJ45 connector is not used, it must be closed with an ULP terminator (TRV00880).

Network communication interface

Characteristic		Value
Type of interface module		Modbus RTU, RS485 serial connection Modbus TCP/IP Ethernet
Transmission	Modbus RS485	Transfer rate: 9,600...19,200 Baud Medium Double shielded twisted pair Impedance 120 Ω
	Ethernet	Transfer rate : 10/100 Mbps Medium STP, Cat5e, straight cable
Structure	Type	Modbus, Ethernet
	Method	Master/Slave
Device type	Modbus	Master
	Ethernet	Server
Turnaround time	Modbus	10 ms
	Ethernet	1 ms
Maximum length of cable	Modbus	1000 m
	Ethernet	100 m
Type of bus connector	Modbus	4-pin connector
	Ethernet	RJ45 (Shielded)



- A** Ethernet 1 and Ethernet 2 communication port.
- B** 24 V DC power supply terminal block.
- C** Ethernet communication LEDs:
 - yellow: 10 Mb
 - green: 100 Mb.
- D** Module status LED:
 - steady off: no power
 - steady green: device operational
 - steady red: major fault
 - flashing green: standby
 - flashing red: minor fault
 - flashing green/red: self-test.
- E** Network status LED:
 - steady off: not power/no valid IP address
 - steady green: connected, valid IP address
 - steady orange: default IP address
 - steady red: duplicated IP address
 - flashing green/red: Self-test.
- F** Sealable transparent cover.
- G** ULP status LED.
- H** Test button (accessible closed cover).
- I** Locking pad.
- J** Modbus traffic status LED (LV434011 only).
- K** Device name label.
- L** ULP ports.

General characteristics

Environmental characteristics

Conforming to standards	UL 508, UL 60950, IEC 60950, 60947-6-2
Certification	cUIUs, GOST, FCC, CE
Ambient temperature	-20 to +70 °C (-4 to +158 °F)
Relative humidity	5–85 %
Level of pollution	Level 3
Flame resistance	ULV0

Mechanical characteristics

Shock resistance	1000 m/s ²
Resistance to sinusoidal vibrations	5 Hz < f < 8.4 Hz

Electrical characteristics

Resistance to electromagnetic discharge	Conforming to IEC/EN 61000-4-3
Immunity to radiated fields	10 V/m
Immunity to surges	Conforming to IEC/EN 61000-4-5
Consumption	120 mA at 24 V input

Physical characteristics

Dimensions	72 x 105 x 71 mm (2.83 x 4.13 x 2.79 in.)
Mounting	DIN rail
Weight	182.5 g (0.41 lb)

Degree of protection of the installed IO	<ul style="list-style-type: none"> ■ On the front panel (wall mounted enclosure): IP4x ■ Connectors: IP2x ■ Other parts: IP3x
--	--

Connections	Screw type terminal blocks
-------------	----------------------------

Technical characteristics - 24 V DC power supply

Power supply type	Regulated switch type
Rated power	72 W
Input voltage	100–120 V AC for single phase 200–500 V AC phase-to-phase
PFC filter	With IEC 61000-3-2
Output voltage	24 V DC
Power supply out current	3 A

Note: it is recommended to use an UL listed/UL listed recognized limited voltage/Limited current or a class 2 power supply with a 24 V DC, 3 A maximum.

IFE web page description

Monitoring web page

Real time data 67	■
Device logging	■

Control web page

Single device control	■
-----------------------	---

Diagnostics web page

Statistics	■
Device information	■
IMU information	■
Read device registers	■
Communication check	■

Maintenance web page

Maintenance log	■
Maintenance counters	■

Setup web page

Device localization/name	■
Ethernet configuration (dual port)	■
IP configuration	■
Modbus TCP/IP filtering	■
Serial port	■
Date and time	■
E-mail server configuration	■
Alarms to be e-mailed	■
Device list	■
Device logging	■
Device log export	■
SNMP parameters	■
Documentation links	■
Preferences	■
Advanced services control	■
User accounts	■
Web page access	■

PB103798-50.eps



IFM Modbus communication interface.
Ref.: TRV00210.

Function

A IFM - Modbus communication interface - is required for connection of a Masterpact or Compact to a Modbus network as long as this circuit breaker is provided with a ULP (Universal Logic Plug) port. The port is available on respectively a BCM ULP or BSCM embedded module.

The IFM is defined as an IMU (Intelligent Modular Unit) in the ULP connection System documentation.

Once connected, the circuit breaker is considered as a slave by the Modbus master. Its electrical values, alarm status, open/close signals can be monitored or controlled by a Programmable Logic Controller or any other system.

Characteristics

ULP port

2 RJ45 sockets, internal parallel wiring.

- Connection of a single circuit breaker (eventually via its I/O application module).
- A ULP line terminator or an FDM121 display unit must be connected to the second RJ45 ULP socket.

The RJ45 sockets deliver a 24 VDC supply fed from the Modbus socket.

Built-in test function, for checking the correct connection to the circuit breaker and FDM121 display unit.

Modbus slave port

- Top socket for screw-clamp connector, providing terminals for:

- 24 VDC input supply (0V, +24V)
- Modbus line (D1, D2, Gnd).

- Lateral socket, for Din-rail stackable connector.

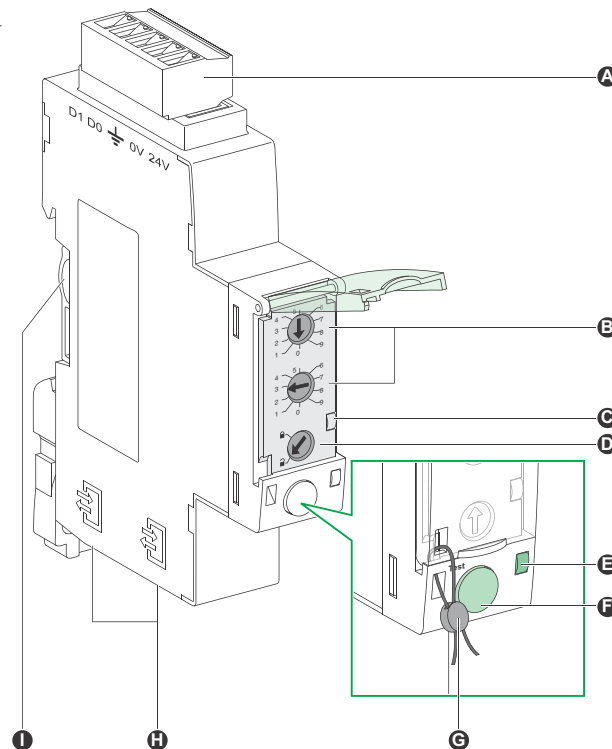
Both top and lateral sockets are internally parallel wired.

- Multiple IFM can be stacked, thus sharing a common power supply and Modbus line without individual wiring.

- On the front face:

- Modbus address setting (1 to 99): 2 coded rotary switches
- Modbus locking pad: enables or disable the circuit breaker remote control and modification of IFM parameters.
- Self adjusting communication format (Baud rate, parity).

DB417545.eps



A Modbus screw clamp connector.

B Modbus address switches.

C Modbus traffic LED.

D Modbus locking pad.

E ULP activity LED.

F Test button.

G Mechanical lock.

H ULP RJ45 connectors.

I Stacking accessory connection.

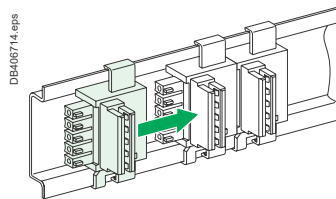
Technical characteristics

IFM Modbus communication interface

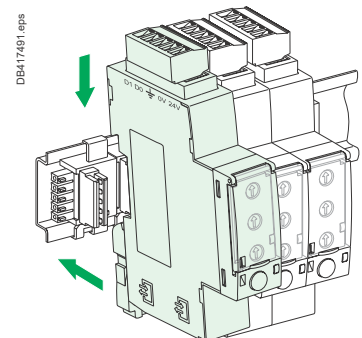
Dimensions		18 x 72 x 96 mm
Maximum number of stacked IFM		12
Degree of protection of the installed module	Part projecting beyond the escutcheon	IP4x
	Other module parts	IP3x
	Connectors	IP2x
Operating temperature		-25...+70 °C
Power supply voltage		24 V DC -20 %/+10 % (19.2...26.4 V DC)
Consumption	Typical	21 mA/24 V DC at 20 °C
	Maximum	30 mA/19.2 V DC at 60 °C
Certification		
CE		IEC/EN 60947-1
UL		UL 508 - Industrial Control Equipment
CSA		No. 142-M1987 - Process Control Equipment
		■ CAN/CSA C22.2 No. 0-M91 - General requirements - Canadian Electrical Code Part
		■ CAN/CSA C22.2 No. 14-05 - Industrial Control Equipment

Simplified IFM installation

Stacking IFM

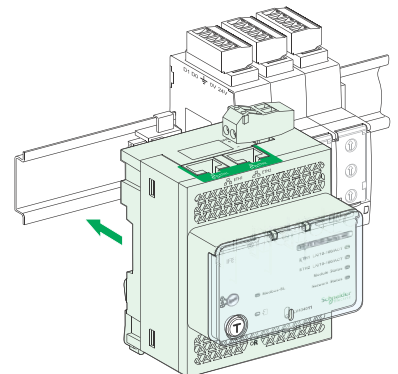
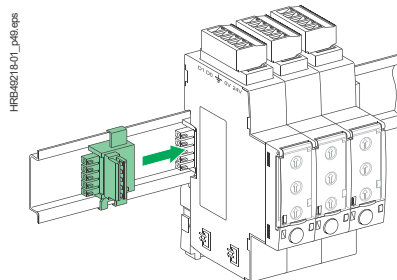


Stacking accessories



Up to 12 stacked IFM

Stacking an IFE interface + gateway with IFMs



DB416826.eps



Description

The I/O input/output application module for LV breaker is part of an ULP system with built-in functionalities and applications to enhance the application needs. The ULP system architecture can be built without any restrictions using the wide range of circuit breakers.

The I/O application is compliant with the ULP system specifications.
Two I/O application module can be connected in the same ULP network.

The ranges of LV circuit breakers enhanced by the I/O are:

- Masterpact NW
- Masterpact NT
- Compact NS1600b-3200
- Compact NS630b-1600
- Compact NSX100-630 A.

I/O input/output interface for LV breaker resources

The I/O application module resources are:

- 6 digital inputs that are self powered for either NO and NC dry contact or pulse counter
- 3 digital outputs that are bistable relay (5 A maximum)
- 1 analog input for Pt100 temperature sensor.

Pre-defined applications

Pre-defined application adds new functions to the IMU in a simple way:

- selection by the application rotary switch on the I/O, defining the application with pre-defined input/output assignment and wiring diagram.
- no additional setting with the customer engineering tool required.

The resources not assigned to the pre-defined application are free for additional user-defined applications:

- cradle management
- breaker operation
- light and load control
- custom.

User-defined applications

User-defined applications are processed by the I/O in addition to the pre-defined application selected.

The user-defined applications are available depending on:

- the pre-defined application selected
- the I/O resources (inputs and outputs) not used by the application.

The resources required by user-defined applications are assigned using the customer engineering tool:

- protection
- control
- energy management
- monitoring.

Mounting

The I/O is a DIN rail mounting device.

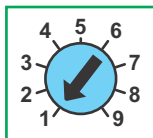
Application rotary switch

The application rotary switch enables the selection of the pre-defined application.

It has 9 positions and each position is assigned to a pre-defined application.

The factory set position of the switch is pre-defined application 1.

DB416827.eps

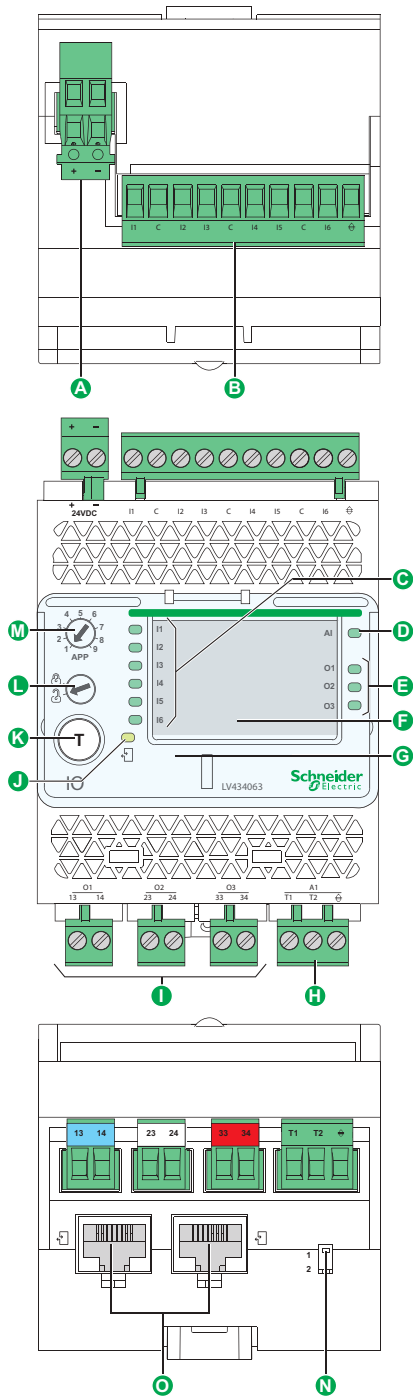


DB416828.eps



DB416828.eps





- A** 24 V DC power supply terminal block.
- B** Digital input terminal block: 6 inputs, 3 commons and 1 shield.
- C** 6 input status LEDs.
- D** Analog input status LED.
- E** 3 output status LEDs.
- F** I/O application module identification labels.
- G** Sealable transparent cover.
- H** Analog input terminal block.
- I** Digital output terminal blocks.
- J** ULP status LED.
- K** Test/reset button (accessible with cover closed).
- L** Setting locking pad.
- M** Application rotary switch: 1 to 9.
- N** Switch for I/O addressing (I/O 1 or I/O 2).
- O** ULP connectors.

General characteristics

Environmental characteristics

Conforming to standards	UL 508, UL 60950, IED 60950, 60947-6-2
Certification	cUIUs, GOST, FCC, CE
Ambient temperature	-20 to +70 °C (-4 to +158 °F)
Relative humidity	5–85 %
Level of pollution	Level 3
Flame resistance	ULV0

Mechanical characteristics

Shock resistance	1000 m/s ²
Resistance to sinusoidal vibrations	5 Hz < f < 8.4 Hz

Electrical characteristics

Resistance to electromagnetic discharge	Conforming to IEC/EN 61000-4-3
Immunity to radiated fields	10 V/m
Immunity to surges	Conforming to IEC/EN 61000-4-5
Consumption	165 mA

Physical characteristics

Dimensions	71.7 x 116 x 70.6 mm (2.83 x 4.56 x 2.78 in.)
Mounting	DIN rail
Weight	229.5 g (0.51 lb)
Degree of protection of the installed I/O application module	<ul style="list-style-type: none"> ■ On the front panel (wall mounted enclosure): IP4x ■ IO parts: IP3x ■ Connectors: IP2x

Connections	Screw type terminal blocks
-------------	----------------------------

Technical characteristics - 24 V DC power supply

Power supply type	Regulated switch type
Rated power	72 W
Input voltage	100–120 V AC for single phase 200–500 V AC phase-to-phase
PFC filter	With IEC 61000-3-2
Output voltage	24 V DC
Power supply out current	3 A

Note: it is recommended to use an UL listed/UL listed recognized limited voltage/Limited current or a class 2 power supply with a 24 V DC, 3 A maximum.

Digital inputs

Digital input type	Self powered digital input with current limitations as per IEC 61131-2 type 2 standards (7 mA)
Input limit values at state 1 (close)	19.8–25.2 V DC, 6.1–8.8 mA
Input limit values at state 0 (open)	0–19.8 V DC, 0 mA
Maximum cable length	10 m (33 ft)

Note: for a length greater than 10 m (33 ft) and up to 300 m (1,000 ft), it is mandatory to use a shielded twisted cable. The shield cable is connected to the I/O functional ground of the I/O application module.

Digital outputs

Digital output type	Bistable relay
Rated load	5 A at 250 V AC
Rated carry current	5 A
Maximum switching voltage	380 V AC, 125 V DC
Maximum switch current	5 A
Maximum switching power	1250 VA, 150 W
Minimum permissible load	10 mA at 5 V DC
Contact resistance	30 mΩ
Maximum operating frequency	<ul style="list-style-type: none"> ■ 18000 operations/hr (Mechanical) ■ 1800 operations/hr (Electrical)

Digital output relay protection by an external fuse

Maximum cable length	10 m (33 ft)
----------------------	--------------

Analog inputs

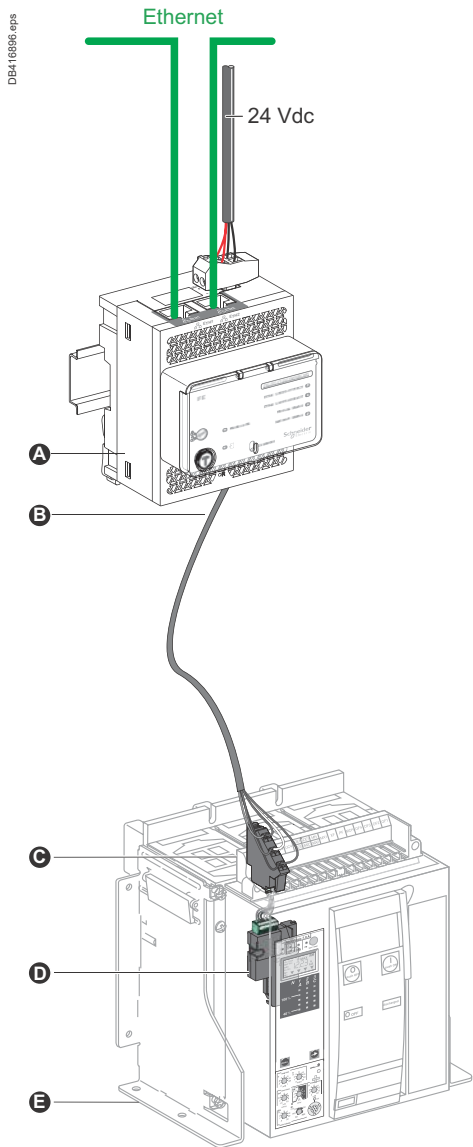
The I/O application module analog input can be connected to a Pt100 temperature sensor

Range	-30 to 200 °C	-22 to 392 °F
Accuracy	<ul style="list-style-type: none"> ±2 °C from -30 to 20 °C ±1 °C from 20 to 140 °C ±2 °C from 140 to 200 °C 	<ul style="list-style-type: none"> ±3.6 °F from -22 to 68 °F ±1.8 °F from 68 to 284 °F ±3.6 °F from 284 to 392 °F
Refresh interval	5 s	5 s

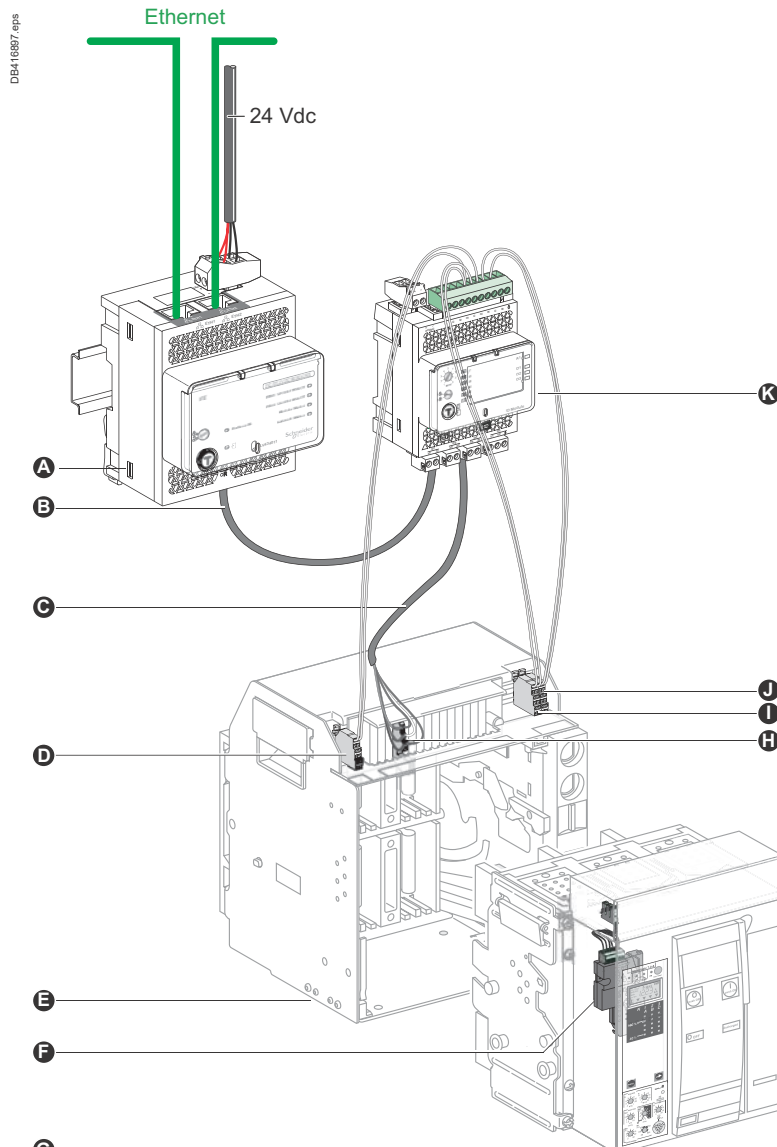
Connection of the IFE to a fixed or drawout Masterpact NT/NW

Connect the IFE to a fixed electrically operated Masterpact NT/NW or circuit breaker using the breaker ULP cord

Connect the IFE to a drawout Masterpact NT/NW or circuit breaker using the breaker ULP cord



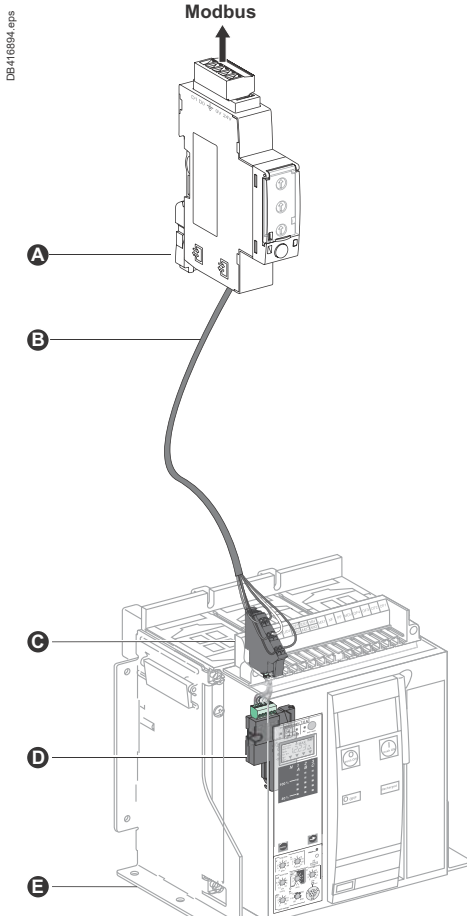
- A IFE Ethernet interface for LV circuit breaker
- B Breaker ULP cord
- C Fixed terminal block
- D BCM ULP communication module
- E Fixed electrically operated circuit breaker



- A IFE Ethernet interface for LV circuit breaker
- B ULP cable
- C Breaker ULP cord
- D Circuit breaker disconnected position contact (CD)
- E Circuit breaker cradle
- F BCM ULP communication module
- G Drawout circuit breaker
- H Drawout terminal block
- I Circuit breaker connected position contact (CE)
- J Circuit breaker test position contact (CT)
- K I/O (Input/Output) application module for LV circuit breaker

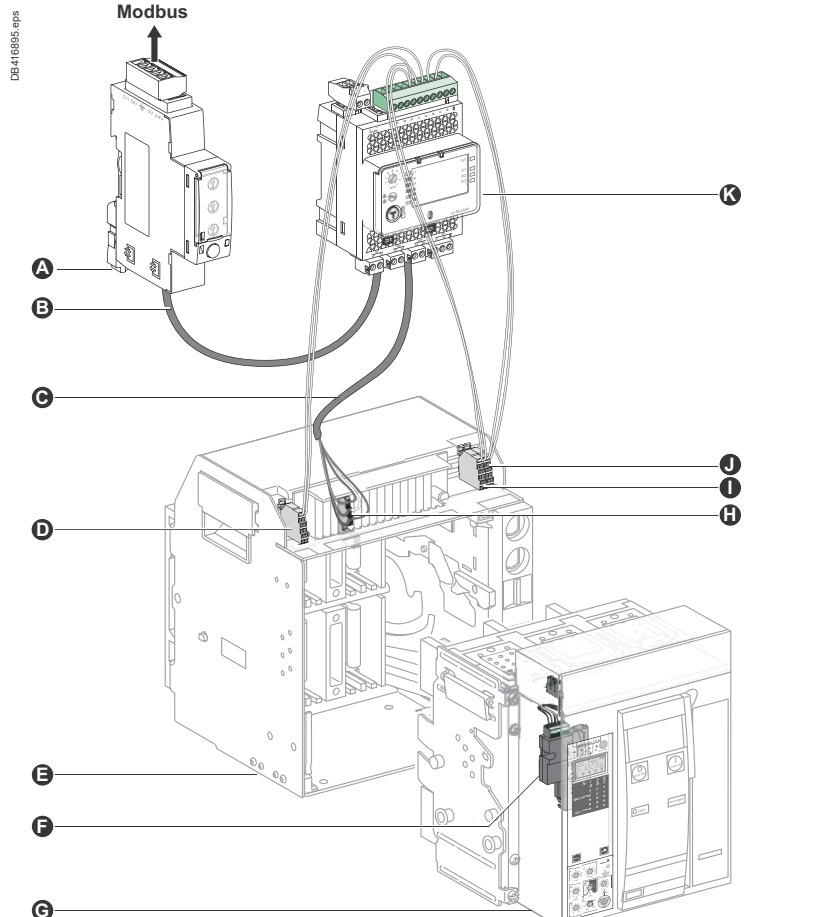
Connection of the IFM to a fixed or drawout Masterpact NT/NW

Connect the IFM to a fixed electrically operated Masterpact NT/NW or circuit breaker using the breaker ULP cord

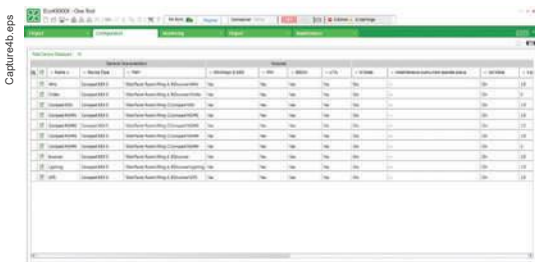
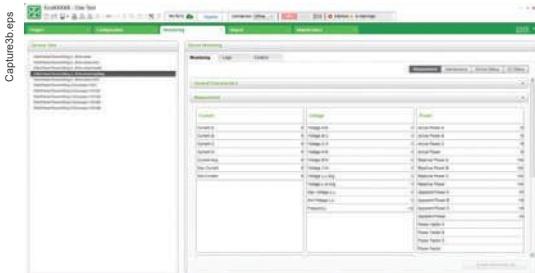
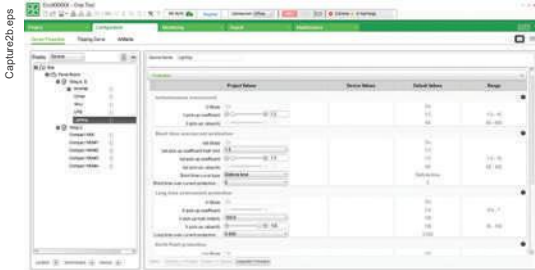
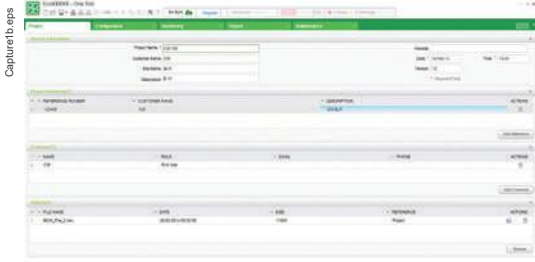


- A IFM Ethernet interface for LV circuit breaker
- B Breaker ULP cord
- C Fixed terminal block
- D BCM ULP communication module
- E Fixed electrically operated circuit breaker

Connect the IFM to a drawout Masterpact NT/NW or circuit breaker using the breaker ULP cord



- A IFM Ethernet interface for LV circuit breaker
- B ULP cable
- C Breaker ULP cord
- D Circuit breaker disconnected position contact (CD)
- E Circuit breaker cradle
- F BCM ULP communication module
- G Drawout circuit breaker
- H Drawout terminal block
- I Circuit breaker connected position contact (CE)
- J Circuit breaker test position contact (CT)
- K I/O (Input/Output) application module for LV circuit breaker



Introduction

Electrical Asset Manager is a software application that helps the user to manage a project as part of designing, testing, site commissioning, and maintenance of the project life cycle.

It enables the user to prepare the settings of the devices offline (without connecting to the device) and configure them when connected with the devices.

Also it provides lot of other value added features for the user to manage the project such as, safe repository in cloud, attach artifacts to each device or at the project level, organize devices in switchboard wise, manage a hierarchical structure of the installation etc.

Compatible devices (configuration and device management)

Electrical Asset Manager is compatible with the following devices:

- Compact NSX100-630 (IEC)
- PowerPact™ (UL) circuit breaker
- Compact NS630b-3200 (IEC)
- Masterpact NT/NW (IEC and UL) circuit breaker
- Acti9 Smartlink.
- Compatible devices (Device Management in the project)
- Switch disconnectors (Compact NSX, Masterpact & PowerPact Family)
- Third party devices.

References:

Electrical Asset Manager software package can be downloaded from our website www.schneider-electric.com.

Features

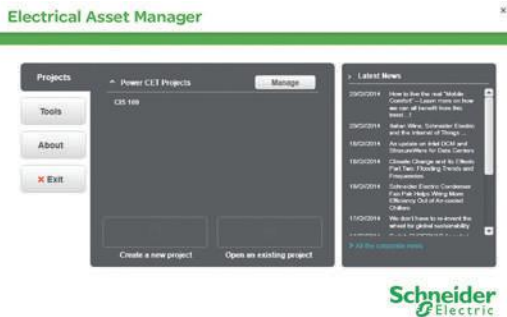
Electrical Asset Manager supersedes the Schneider Electric customer engineering tools such as Remote setting Utility (RSU) and Remote Control Utility (RCU) with additional features.

Electrical Asset Manager supports the connection of Schneider Electric communicable devices to:

- create projects by device discovery, selection of devices, and import Bill of Material (BOM)
- monitor the status of protection and IO status
- read information (alarms, measurements, parameters)
- check protection discrimination between two devices
- upload and download of configuration or settings in batch mode to multiple devices.
- carry out commands and tests
- generate and print device settings report and communication test report
- manage multiple devices with electrical and communication hierarchy model
- manage artifacts (project documents)
- check consistency in settings between devices on a communication network
- compare configuration settings between PC and device (online)
- download latest firmware.

Electrical Asset Manager enables the user to avail the advanced features of the software once the project is saved in Schneider Electric cloud.

Capture6.eps



Functions

Offline Mode

A project can be built in offline mode through 2 different ways:

- through BOM file import
- through Device Selection.

Additionally, the user can open an existing project and modify the settings offline. The user can do the discrimination curve check and firmware compatibility check for devices in the project.

Online Mode

A project can be built in online mode through device discovery also other than the methods possible through offline method.

Once the project is built, the following functions can be performed in addition to the functions available in offline mode:

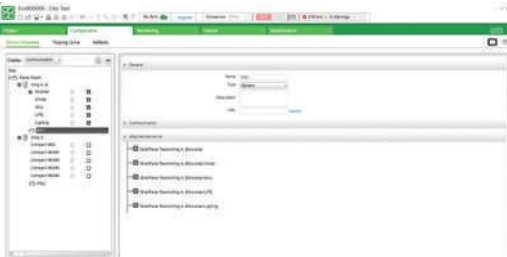
- compare the device parameters with project parameters
- load parameters from project to the device and vice versa
- firmware downloads to the device
- monitor the measurement, maintenance, device status and I/O status
- control functions.

User Interface

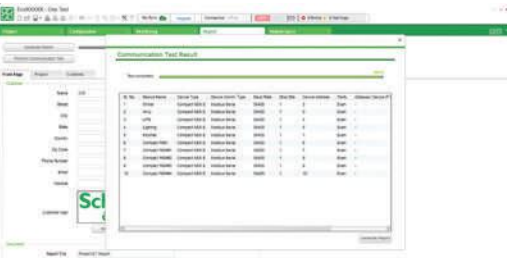
Electrical Asset Manager software provides fast direct access to the project and the devices in the project through different tabs.

- **Project:** to provide the project information including customer details, project references and to add project artifacts (documents related to the project).
- **Configuration:** to build up the tree structure of the project architecture ; to have a table view of the devices added in the project ; to set the parameters of the devices ; to transfer the device settings ; to view the tripping curves; to attach device artifacts and to download the latest firmware, to do the communication test for all the devices and generate the test report.
- **Monitoring:** this allows the user to monitor the real time values of different devices through different sub tabs namely Monitoring, Logs and Control.
- **Reports:** report tab allows you to generate and print a report of the project settings from the report tab. The user details and project characteristics are automatically filled with the details entered in the Project page.

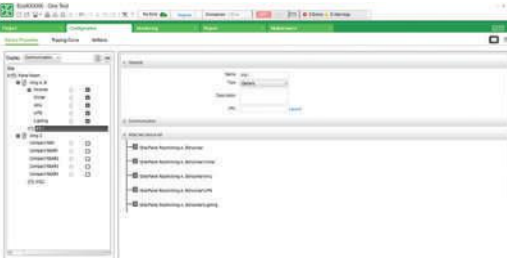
Capture6.eps



Capture7.eps



Capture8.eps



Mounting Versions and Connections

Overview of solutions

Three types of connection are available:

- vertical or horizontal rear connection
- front connection
- mixed connection.

The solutions presented are similar in principle for all Masterpact NT and NW fixed and drawout devices.

Mounting type

Masterpact circuit breakers are available in two mounting versions :
Fixed Drawout



The drawout version is preferred in most of the applications due to its following benefits :

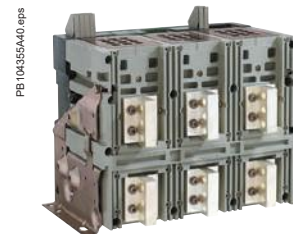
- visible separation of the power contacts via racking out
- easy and complete access to the device for periodic maintenance
- possibility of a quick replacement of the device if necessary.

Rear connection

Horizontal



Vertical



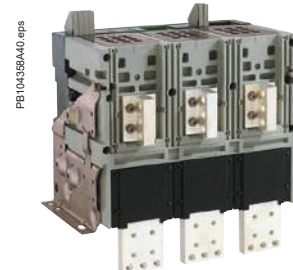
Simply turn a horizontal rear connector 90° to make it a vertical connector.
For the 6300 A circuit breaker, only vertical connection is available.

Front connection



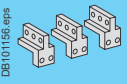
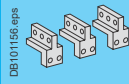
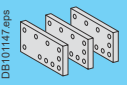
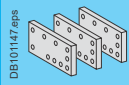
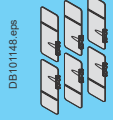
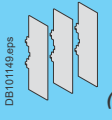
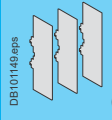
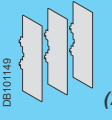
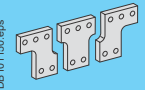
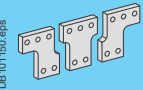

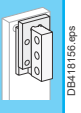
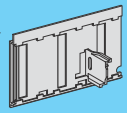
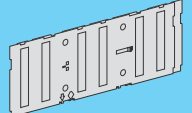
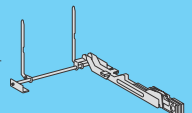
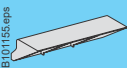
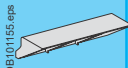
Front connection is available for NW fixed and drawout versions up to 3200 A.

Mixed connection



Note: Masterpact circuit breakers can be connected indifferently with bare-copper, tinned-copper and tinned-aluminium conductors, requiring no particular treatment.

Accessories

Type of accessory	Masterpact NT06 to NT16				Masterpact NW08 to NW63			
	Fixed Front connection	Rear connection	Drawout Front connection	Rear connection	Fixed Front connection	Rear connection	Drawout Front connection	Rear connection
Vertical connection adapters	 (4)		 (4)					
Cable lug adapters	 (4)		 (4)					
Interphase barriers	 (1)		 (1)		 (2)		 (2)	
Spreaders	 (4)		 (4)					
Disconnectable front-connection adapter					 DB101151.eps	 DB101155.eps		
Safety shutters with padlocking			 <i>standard</i>				 <i>standard</i>	
Shutter position indication and locking							 DB101154.eps	
Arc chute screen	 (3)	 DB101155.eps						

(1) Mandatory for voltages ≥ 500 V, not compatible with spreaders.

(2) Except for an NW40 equipped for horizontal rear connection, and for fixed NW40b-NW63.

(3) Mandatory for fixed NT front-connection versions with vertical-connection adapters oriented towards the front.

(4) Spreaders, vertical connection adapters and cable lugs adapters are not compatible with voltages ≥ 500 V.

Masterpact M replacement kit

A set of connection parts is available to allow replacement of a Masterpact M08 to M32 circuit breaker by a Masterpact NW without modifying the busbars (please consult us).

Mounting on a switchboard backplate using special brackets

Masterpact NT and NW fixed front-connected circuit breakers can be installed on a backplate without any additional accessories.

Masterpact NW circuit breakers require a set of special brackets.

PB10436DA30.eps



Vertical-connection adapters (option)

Mounted on front-connected devices or chassis, the adapters facilitate connection to a set of vertical busbars.

PB10436IA30.eps



Cable-lug adapters (option)

Cable-lug adapters are used in conjunction with vertical-connection adapters.

They can be used to connect a number of cables fitted with lugs.

To ensure adequate mechanical strength, the connectors must be secured together via spacers (**catalogue number 04691**).

PB10435A30.eps



Interphase barriers (option)

These barriers are flexible insulated partitions used to reinforce isolation of connection points in installations with busbars, whether insulated or not.

For Masterpact NT/NW devices (up to NW40), they are installed vertically between rear connection terminals. They are mandatory for NT devices at voltages > 500 V. They are not compatible with spreaders.

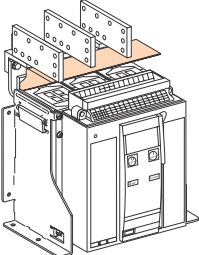
PB104362A30.eps



Spreaders (option)

Mounted on the front or rear connectors, spreaders are used to increase the distance between bars in certain installation configurations.

DB117039.eps



Arc chute screen (option)

For fixed Masterpact NT front-connection versions and with vertical-connection adapters oriented towards the front, an arc chute screen must be installed to respect safety clearances.

The arc chute screen is delivered in standard on the NT and NW drawout version.

PB104363A50.eps



Disconnectable front-connection adapter (option)

Mounted on a fixed front-connected device, the adapter simplifies replacement of a fixed device by enabling fast disconnection from the front.

PB104364A50.eps



Safety shutters (VO standard)

Mounted on the chassis, the safety shutters automatically block access to the disconnecting contact cluster when the device is in the disconnected or test positions (degree of protection IP 20). When the device is removed from its chassis, no live parts are accessible.

The shutter-locking system is made up of a moving block that can be padlocked (padlock not supplied). The block:

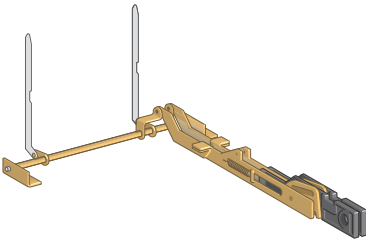
- prevents connection of the device
- locks the shutters in the closed position.

For Masterpact NW08 to NW63

A support at the back of the chassis is used to store the blocks when they are not used:

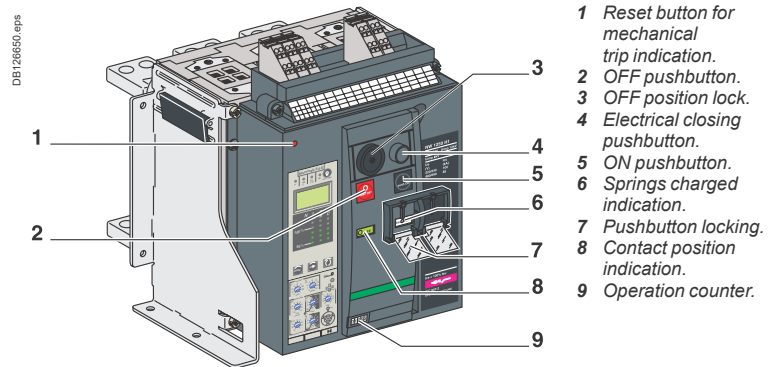
- 2 blocks for NW08 to NW40
- 4 blocks for NW40b to NW63.

DB101158.eps



Shutter position indication and locking on front face (VIVC, NW only)

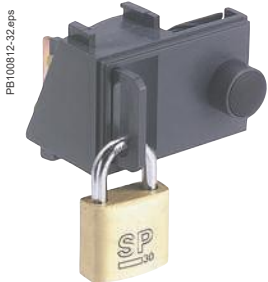
This option located on the chassis front plate indicates that the shutters are closed. It is possible to independently or separately padlock the two shutters using one to three padlocks (not supplied).



Access to pushbuttons protected by transparent cover.



Pushbutton locking using a padlock.



OFF position locking using a padlock.



OFF position locking using a keylock.

Pushbutton locking VBP

The transparent cover blocks access to the pushbuttons used to open and close the device.

It is possible to independently lock the opening button and the closing button. The locking device is often combined with a remote operating mechanism.

The pushbuttons may be locked using either:

- padlock (not supplied), 5 to 8 mm
- lead seal
- two screws.

Device locking in the OFF position VCPO by padlocks, VSPO by keylocks

The circuit breaker is locked in the OFF position by physically maintaining the opening pushbutton pressed down:

- using padlocks (one to three padlocks, not supplied), shackle diameter: 5 to 8 mm
- using keylocks (one or two different keylocks, supplied).

Keys may be removed only when locking is effective (Profalux or Ronis type locks).

The keylocks are available in any of the following configurations:

- one keylock
- one keylock mounted on the device + one identical keylock supplied separately for interlocking with another device
- two different key locks for double locking.

Profalux and Ronis keylocks are compatible with each other.

A locking kit (without locks) is available for installation of one or two keylocks (Ronis, Profalux, Kirk or Castell).

Accessory-compatibility

For Masterpact NT: 3 padlocks or 1 keylock.

For Masterpact NW: 3 padlocks and/or 2 keylocks.

Cable-type door interlock IPA

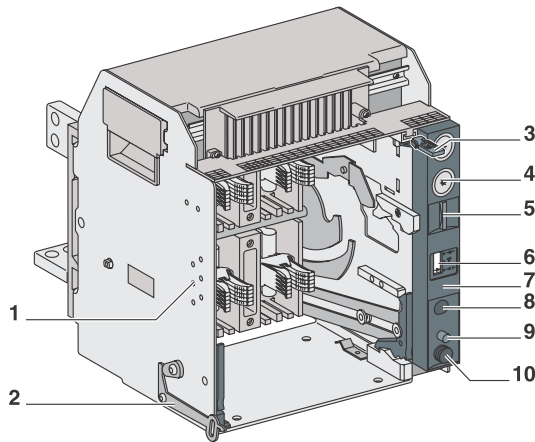
This option prevents door opening when the circuit breaker is closed and prevents circuit breaker closing when the door is open.

For this, a special plate associated with a lock and a cable is mounted on the right side of the circuit breaker.

With this interlock installed, the source changeover function cannot be implemented. This option is identical for fixed and drawout version.

On the chassis

DBI 28651 eps



- 1 Mismatch protection.
- 2 Door interlock.
- 3 Racking interlock.
- 4 Keylock locking.
- 5 Padlock locking.
- 6 Position indicator.
- 7 Chassis front plate (accessible with cubicle door closed).
- 8 Racking-handle entry.
- 9 Reset button.
- 10 Racking-handle storage.

PB104389A-32 eps



"Disconnected" position locking by padlocks.

PB104387A-34 eps



"Disconnected" position locking by keylocks.

"Disconnected" position locking by padlocks (standard) or keylocks (VSPD option)

Mounted on the chassis and accessible with the door closed, these devices lock the circuit breaker in the "disconnected" position in two manners:

- using padlocks (standard), up to three padlocks (not supplied)
- using keylocks (optional), one or two different keylocks are available.

Profalux and Ronis keylocks are available in different options:

- one keylock
- two different keylocks for double locking
- one (or two) keylocks mounted on the device + one (or two) identical keylocks supplied separately for interlocking with another device.

A locking kit (without locks) is available for installation of one or two keylocks (Ronis, Profalux, Kirk or Castell).

PB104352A-32 eps



Door interlock.

"Connected", "disconnected" and "test" position locking

The "connected", "disconnected" and "test" positions are shown by an indicator and are mechanically indexed. The exact position is obtained when the racking handle blocks. A release button is used to free it.

As standard, the circuit breaker can be locked only in "disconnected position". On request, the locking system may be modified to lock the circuit breaker in any of the three positions: "connected", "disconnected" or "test".

Door interlock catch VPEC

Mounted on the right or left-hand side of the chassis, this device inhibits opening of the cubicle door when the circuit breaker is in "connected" or "test" position. If the breaker is put in the "connected" position with the door open, the door may be closed without having to disconnect the circuit breaker.

PB104389A-32 eps



Racking interlock.

Racking interlock VPOC

This device prevents insertion of the racking handle when the cubicle door is open.

Cable-type door interlock IPA

This option is identical for fixed and drawout versions.

PB100915-32C_3E eps



Mismatch protection.

Racking interlock between crank and OFF pushbutton IBPO (for NW only)

This option makes it necessary to press the OFF pushbutton in order to insert the racking handle and holds the device open until the handle is removed.

Automatic spring discharge before breaker removal DAE (for NW only)

This option discharges the springs before the breaker is removed from the chassis.

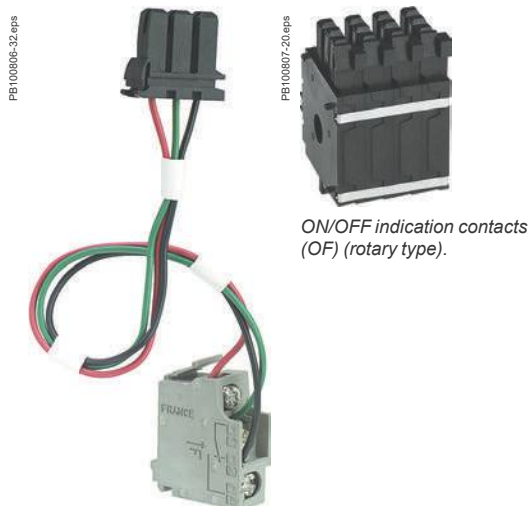
Mismatch protection VDC

Mismatch protection ensures that a circuit breaker is installed only in a chassis with compatible characteristics. It is made up of two parts (one on the chassis and one on the circuit breaker) offering twenty different combinations that the user may select.

Indication contacts are available:

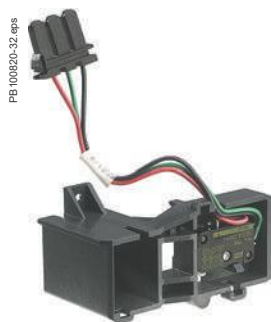
- in the standard version for relay applications
- in a low-level version for control of PLCs and electronic circuits.

M2C and M6C contacts may be programmed via the Micrologic E, P and H control units.



ON/OFF indication contacts (OF) (rotary type).

ON/OFF indication contacts (OF) (micro switch type).



Additional "fault-trip" indication contacts (SDE)



Combined contacts.

ON/OFF indication contacts OF

Two types of contacts indicate the ON or OFF position of the circuit breaker:

- micro switch type changeover contacts for Masterpact NT
- rotary type changeover contacts directly driven by the mechanism for Masterpact NW. These contacts switch when the minimum isolation distance between the main circuit breaker contacts is reached. These rotary type changeover contacts are used for both standard and low level versions for Masterpact NW.

OF	NT	NW
Supplied as standard	4	4
Maximum number	4	12
Breaking capacity (A)	Minimum load: 100 mA/24 V	
p.f.: 0.3		
AC12/DC12		
	Standard	Minimum load: 100 mA/24 V
	V AC	240/380
		480
		690
	V DC	24/48
		125
		250
	Low-level	Minimum load: 2 mA/15 V
	V AC	24/48
		240
		380
	V DC	24/48
		125
		250

(1) Standard contacts: 10 A; optional contacts: 6 A.

"Fault-trip" indication contacts SDE

Circuit breaker tripping due to a fault is signalled by:

- a red mechanical fault indicator (reset)
- one changeover contact SDE.

Following tripping, the mechanical indicator must be reset before the circuit breaker may be closed. One SDE is supplied as standard. An optimal SDE may be added. This latter is incompatible with the electrical reset after fault-trip option (RES).

SDE	NT/NW	
Supplied as standard	1	
Maximum number	2	
Breaking capacity (A)	Minimum load: 100 mA/24 V	
p.f.: 0.3		
AC12/DC12		
	Standard	Minimum load: 100 mA/24 V
	V AC	240/380
		480
	V DC	24/48
		125
		250
	Low-level	Minimum load: 2 mA/15 V
	V AC	24/48
		240
		380
	V DC	24/48
		125
		250

Combined "connected/closed" contacts EF

The contact combines the "device connected" and the "device closed" information to produce the "circuit closed" information. Supplied as an option for Masterpact NW, it is mounted in place of the connector of an additional OF contact.

EF	NW	
Maximum number	8	
Breaking capacity (A)	Minimum load: 100 mA/24 V	
p.f.: 0.3		
AC12/DC12		
	Standard	Minimum load: 100 mA/24 V
	V AC	240/380
		480
		690
	V DC	24/48
		125
		250
	Low-level	Minimum load: 2 mA/15 V
	V AC	24/48
		240
		380
	V DC	24/48
		125
		250

Indication contacts

PB100817-32.eps



CE, CD and CT “connected/disconnected/test” position carriage switches.

PB100776-32.eps



M2C programmable contacts: circuit breaker internal relay with two contacts.

PB100761-32.eps



M6C programmable contacts: circuit breaker external relay with six independent changeover contacts controlled from the circuit breaker via a three-wire connection. (maximum length is 10 meters).

“Connected”, “disconnected” and “test” position carriage switches

Three series of optional auxiliary contacts are available for the chassis:

- changeover contacts to indicate the “connected” position CE
- changeover contacts to indicate the “disconnected” position CD. This position is indicated when the required clearance for isolation of the power and auxiliary circuits is reached
- changeover contacts to indicate the “test” position CT. In this position, the power circuits are disconnected and the auxiliary circuits are connected.

Additional actuators

A set of additional actuators may be installed on the chassis to change the functions of the carriage switches.

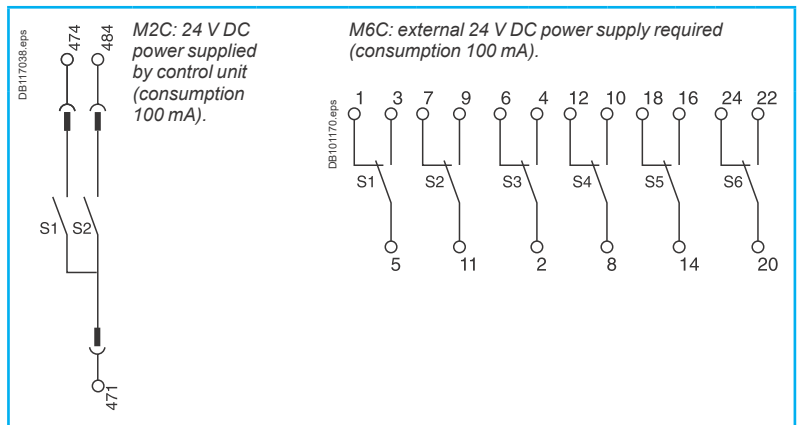
		NT			NW			
Contacts		CE/CD/CT			CE/CD/CT			
Maximum number	Standard	3	2	1	3	3	3	
	with additional actuators				9	0	0	
					6	3	0	
					6	0	3	
				3	6	0		
Breaking capacity (A) p.f.: 0.3 AC12/DC12	Standard	Minimum load: 100 mA/24 V						
		V AC	240	8		8		
			380	8		8		
			480	8		8		
			690	6		6		
		V DC	24/48	2.5		2.5		
	125		0.8		0.8			
		250	0.3		0.3			
	Low-level	Minimum load: 2 mA/15 V						
		V AC	24/48	5		5		
			240	5		5		
			380	5		5		
V DC		24/48	2.5		2.5			
		125	0.8		0.8			
	250	0.3		0.3				

M2C / M6C programmable contacts

These contacts, used with the Micrologic E, P and H control units, may be programmed via the control unit keypad or via a supervisory station with the COM communication option. They require an external power supply module.

The M2C (two contacts) and M6C (six contacts) auxiliary contacts may be used to signal threshold overruns or status changes. They can be programmed using the keypad on the Micrologic P control unit or remotely using the COM option (BCM ULP).

Micrologic		Type E	Types P, H
Characteristics		M2C	M2C / M6C
Minimum load		100 mA/24 V	100 mA/24 V
Breaking capacity (A) p.f.: 0.7	V AC	240	5
		380	3
	V DC	24	1.8
		48	1.5
		125	0.4
		250	0.15



Two solutions are available for remote operation of Masterpact devices:

- a point-to-point solution
- a bus solution with the COM communication option.



Note: an opening order always takes priority over a closing order.

If opening and closing orders occur simultaneously, the mechanism discharges without any movement of the main contacts. The circuit breaker remains in the open position (OFF).

In the event of maintained opening and closing orders, the standard mechanism provides an anti-pumping function by blocking the main contacts in open position.

Anti-pumping function. After fault tripping or intentional opening using the manual or electrical controls, the closing order must first be discontinued, then reactivated to close the circuit breaker.

When the automatic reset after fault trip (RAR) option is installed, to avoid pumping following a fault trip, the automatic control system must take into account the information supplied by the circuit breaker before issuing a new closing order or blocking the circuit breaker in the open position (information on the type of fault, e.g. overload, short-time fault, earth fault, earth leakage, short-circuit, etc.).

Note: MX communicating releases are of the impulse type only and cannot be used to lock a circuit breaker in OFF position. For locking in OFF position, use the remote tripping function (2nd MX or MN).

When MX or XF communicating releases are used, the third wire (C3, A3) must be connected even if the communication module is not installed. When the control voltage (C3-C1 or A3-A1) is applied to the MX or XF releases, it is necessary to wait 1.5 seconds before issuing an order. Consequently, it is advised to use standard MX or XF releases for applications such as source-changeover systems.

The remote ON / OFF function is used to remotely open and close the circuit breaker. It is made up of:

- an electric motor MCH equipped with a “springs charged” limit switch contact CH
- two voltage releases:
 - a closing release XF
 - an opening release MX.

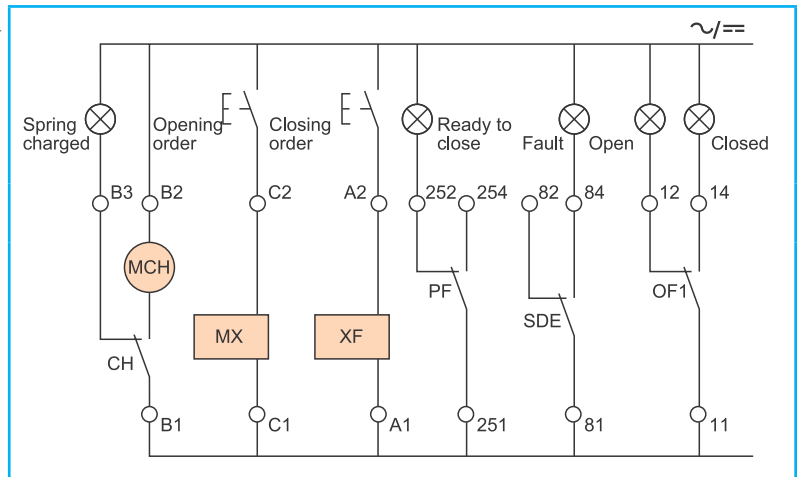
Optionally, other functions may be added:

- a “ready to close” contact PF
- an electrical closing pushbutton BPFE
- remote RES following a fault.

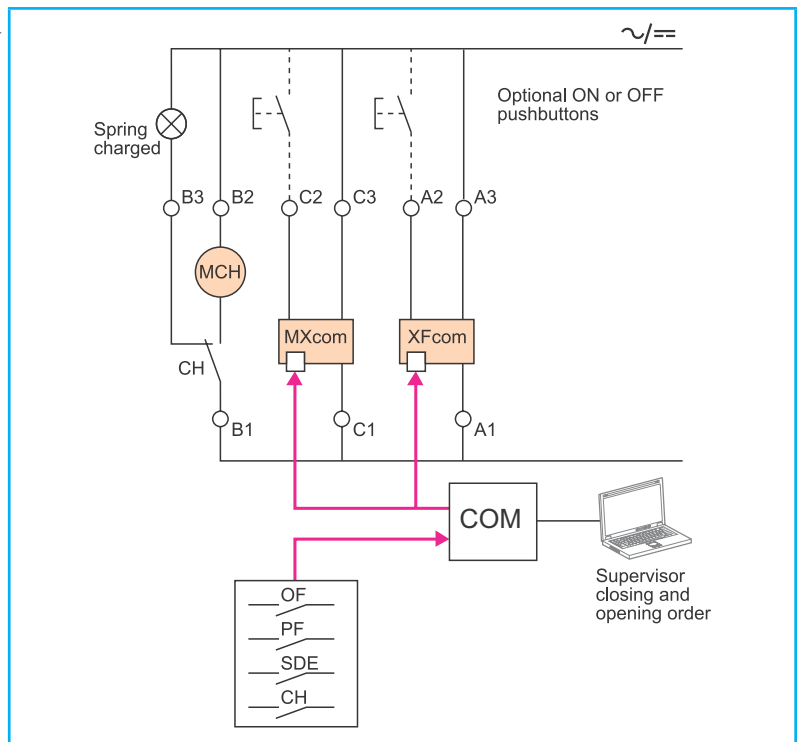
A remote-operation function is generally combined with:

- device ON / OFF indication OF
- “fault-trip” indication SDE.

Wiring diagram of a point-to-point remote ON / OFF function



Wiring diagram of a bus-type remote ON / OFF function



PB100797-23.eps



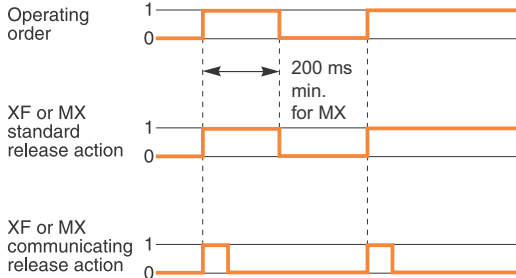
Electric motor MCH for Masterpact NT.

PB100808-32.eps



Electric motor MCH for Masterpact NW.

DB417155.eps



PB100809-16.eps



XF and MX voltage releases.

PB100810-16.eps



"Ready to close" contacts PF.

Electric motor MCH

The electric motor automatically charges and recharges the spring mechanism when the circuit breaker is closed. Instantaneous reclosing of the breaker is thus possible following opening. The spring-mechanism charging handle is used only as a backup if auxiliary power is absent.

The electric motor MCH is equipped as standard with a limit switch contact CH that signals the "charged" position of the mechanism (springs charged).

Characteristics

Power supply	V AC 50/60 Hz	48/60 - 100/130 - 200/240 - 277 - 380/415 - 400/440 - 480
	V DC	24/30 - 48/60 - 100/125 - 200/250
Operating threshold	0.85 to 1.1 Un	
Consumption (VA or W)	180	
Motor overcurrent	2 to 3 In for 0.1 s	
Charging time	maximum 3 s for Masterpact NT	
	maximum 4 s for Masterpact NW	
Operating frequency	maximum 3 cycles per minute	
CH contact	10 A at 240 V	

Voltage releases XF and MX

Their supply can be maintained or automatically disconnected.

Closing release XF

The XF release remotely closes the circuit breaker if the spring mechanism is charged.

Opening release MX

The MX release instantaneously opens the circuit breaker when energised, the minimum duration of the pulse operating order must be 200 ms. The MX release locks the circuit breaker in OFF position if the order is maintained (except for MX "communicating" releases).

Note: whether the operating order is maintained or automatically disconnected (pulse-type), XF or MX "communicating" releases ("bus" solution with "COM" communication option) always have an impulse-type action (see diagram).

Characteristics

	XF	MX
Power supply	V AC 50/60 Hz	24 - 48 - 100/130 - 200/250 - 277 - 380/480
	V DC	12 - 24/30 - 48/60 - 100/130 - 200/250
Operating threshold	0.85 to 1.1 Un	
Consumption (VA or W)	Hold: 4.5	Hold: 4.5
	Pick-up: 200 (200 ms)	Pick-up: 200 (200 ms)
Circuit breaker response time at Un	55 ms ±10 (Masterpact NT)	
	70 ms ±10 (NW ≤ 4000 A)	
	80 ms ±10 (NW > 4000 A)	

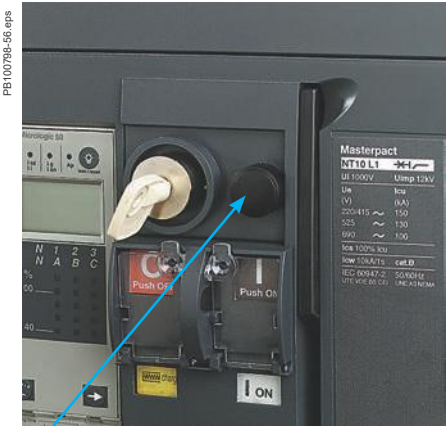
"Ready to close" contact PF

The "ready to close" position of the circuit breaker is indicated by a mechanical indicator and a PF changeover contact. This signal indicates that all the following are valid:

- the circuit breaker is in the OFF position
- the spring mechanism is charged
- a maintained opening order is not present:
 - MX energised
 - fault trip
 - remote tripping second MX or MN
 - device not completely racked in
 - device locked in OFF position
 - device interlocked with a second device.

Characteristics

		NT/NW	
Maximum number		1	
Breaking capacity (A) p.f.: 0.3 AC12/DC12	Standard	V AC	240/380
			480
		690	
	V DC	24/48	3
		125	0.3
		250	0.15
	Low-level	Minimum load: 2 mA/15 V	
	V AC	24/48	3
		240	3
		380	3
V DC	24/48	3	
	125	0.3	
	250	0.15	



Electrical closing pushbutton BPFE.

Electrical closing pushbutton BPFE

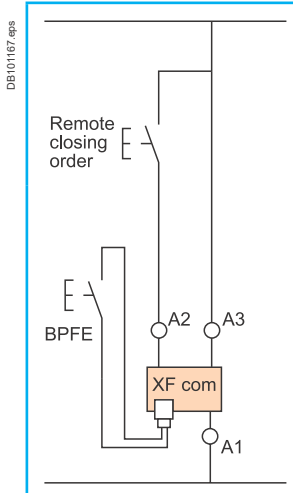
Located on the front panel, this pushbutton carries out electrical closing of the circuit breaker. It is generally associated with the transparent cover that protects access to the closing pushbutton.

Electrical closing via the BPFE pushbutton takes into account all the safety functions that are part of the control/monitoring system of the installation.

The BPFE connects to the closing release (XF com) in place of the COM module.

The COM module is incompatible with this option.

Different types of voltage exist and the XF electromagnet is compulsory if the BPFE option is selected.



Remote reset after fault trip

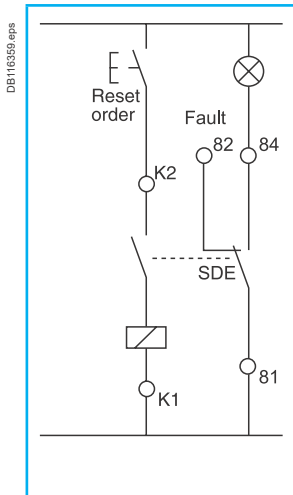
Electrical reset after fault trip RES

Following tripping, this function resets the "fault trip" indication contacts SDE and the mechanical indicator and enables circuit breaker closing.

Power supply: 110/130 V AC and 200/240 V AC.

The use of XF closing release is compulsory with this option.

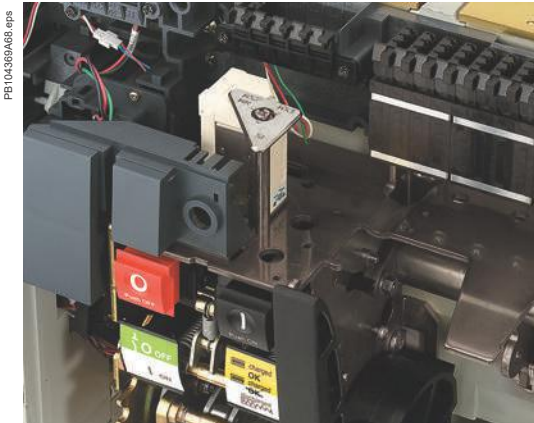
The additional "Fault Trip" indication contact SDE2 is not compatible with RES.



Automatic reset after fault trip RAR

Following tripping, a reset of the mechanical indicator (reset button) is no longer required to enable circuit breaker closing. The mechanical (reset button) and electrical SDE indications remain in fault position until the reset button is pressed. The use of XF closing release is compulsory with this option.

Remote tripping



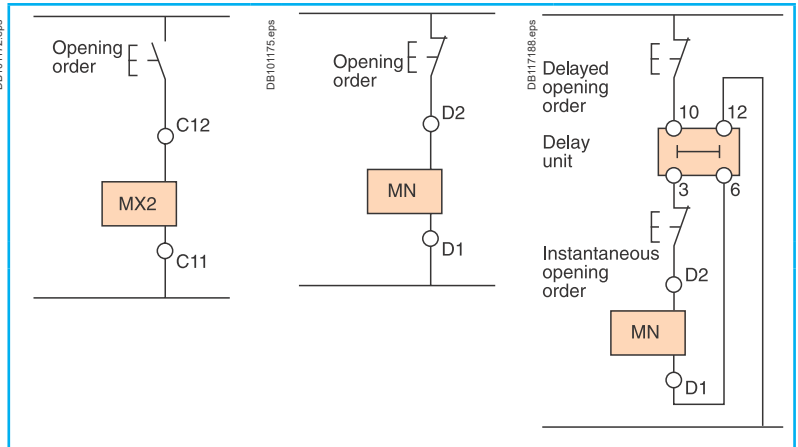
MX or MN voltage release.

This function opens the circuit breaker via an electrical order. It is made up of:

- a shunt release second MX
- or an undervoltage release MN
- or a delayed undervoltage release MNR: MN + delay unit.

These releases (2nd MX or MN) cannot be operated by the communication bus. The delay unit, installed outside the circuit breaker, may be disabled by an emergency OFF button to obtain instantaneous opening of the circuit breaker.

Wiring diagram for the remote-tripping function



Voltage releases second MX

When energised, the MX voltage release instantaneously opens the circuit breaker. A continuous supply of power to the second MX locks the circuit breaker in the OFF position.

Characteristics

Power supply	V AC 50/60Hz	24 - 48 - 100/130 - 200/250 - 277 - 380/480
	V DC	12 - 24/30 - 48/60 - 100/130 - 200/250
Operating threshold		0.7 to 1.1 Un
Permanent locking function		0.85 to 1.1 Un
Consumption (VA or W)		Pick-up: 200 (80 ms) Hold: 4.5
Circuit breaker response time at Un		50 ms ±10

Instantaneous voltage releases MN

The MN release instantaneously opens the circuit breaker when its supply voltage drops to a value between 35 % and 70 % of its rated voltage. If there is no supply on the release, it is impossible to close the circuit breaker, either manually or electrically. Any attempt to close the circuit breaker has no effect on the main contacts. Circuit breaker closing is enabled again when the supply voltage of the release returns to 85 % of its rated value.

Characteristics

Power supply	V AC 50/60 Hz	24 - 48 - 100/130 - 200/250 - 380/480
	V DC	24/30 - 48/60 - 100/130 - 200/250
Operating threshold	Opening	0.35 to 0.7 Un
	Closing	0.85 Un
Consumption (VA or W)		Pick-up: 200 (200 ms) Hold: 4.5
MN consumption with delay unit (VA or W)		Pick-up: 200 (200 ms) Hold: 4.5
Circuit breaker response time at Un		40 ms ±5 for NT
		90 ms ±5 for NW

MN delay units

To eliminate circuit breaker nuisance tripping during short voltage dips, operation of the MN release can be delayed. This function is achieved by adding an external delay unit in the MN voltage-release circuit. Two versions are available, adjustable and non-adjustable.

Characteristics

Power supply	Non-adjustable	100/130 - 200/250
	Adjustable	48/60 - 100/130 - 200/250 - 380/480
Operating threshold	Opening	0.35 to 0.7 Un
	Closing	0.85 Un
Delay unit consumption		Pick-up: 200 (200 ms) Hold: 4.5
Circuit breaker response time at Un	Non-adjustable	0.25 s
	Adjustable	0.5 s - 1 s - 1.5 s - 3 s

PB104740.eps



Auxiliary terminal shield CB

Optional equipment mounted on the chassis, the shield prevents access to the terminal block of the electrical auxiliaries.

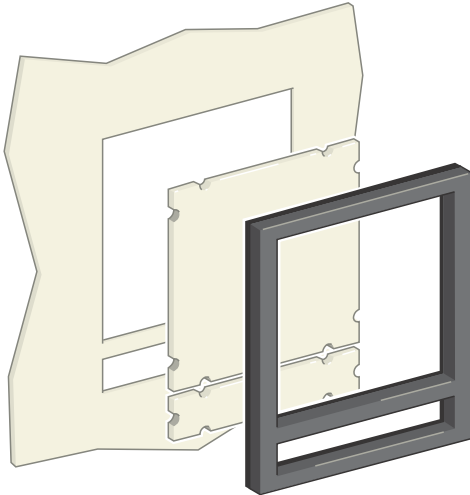
PB104382A32.eps



Operation counter CDM

The operation counter sums the number of operating cycles and is visible on the front panel. It is compatible with manual and electrical control functions. This option is compulsory for all the source-changeover systems.

DB101173.eps



Escutcheon CDP

Optional equipment mounted on the door of the cubicle, the escutcheon increases the degree of protection to IP 40 (circuit breaker installed free standing: IP30). It is available in fixed and drawout versions.

Blanking plate OP for escutcheon

Used with the escutcheon, this option closes off the door cut-out of a cubicle not yet equipped with a device. It may be used with the escutcheon for both fixed and drawout devices.

Escutcheon CDP with blanking plate.

PB100776-42.eps

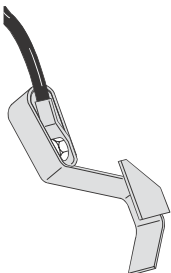


Transparent cover CCP for escutcheon

Optional equipment mounted on the escutcheon, the cover is hinged and secured by a screw. It increases the degree of protection to IP54, IK10. It adapts to drawout devices.

Transparent cover CCP for escutcheon.

DB414776.eps



Grounding kit KMT

This option allows the grounding of the breaker mechanism while the front cover is removed. The grounding is made via the chassis for the drawout version and via the fixation side plate for the fixed version.

Grounding kit KMT.

PB101013-50.eps



Some installations use two supply sources to counter the temporary loss of the main supply.

A source-changeover system is required to safely switch between the two sources. The replacement source can be a generator set or another network.

Manual source-changeover system or **M**: Manual Transfer Switching Equipment

The simplest way to switch the load.

It is controlled manually by an operator.

The time required to switch from the S1 source to S2 source is variable.

System

2 or 3 mechanically interlocked circuit breakers or switch-disconnectors.

Applications

Small commercial buildings and small and medium industrial activities where the need for continuity of service is significant but not a priority.

65587-117.eps



Automatic source-changeover system or **A**: Automatic Transfer Switching Equipment

A controller may be added to automatically control the operation of a changeover system. This may be achieved either by means of a dedicated ready to use controller (UC-BC) or by a traditional programmable logic controller (PLC).

These solutions ensure optimum energy management.

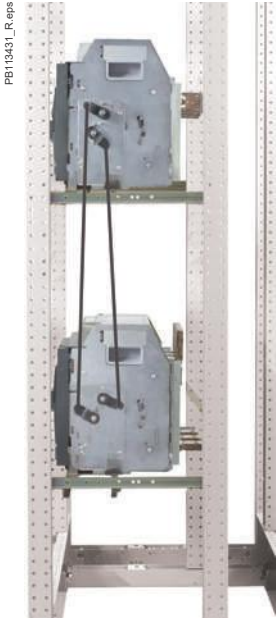
The time required to switch from the S1 source to S2 source is fixed.

System

2 or 3 circuit breakers or switch-disconnectors linked by an electrical interlocking system. A mechanical interlocking system protects also against incorrect manual operations, with an automatic control system (dedicated controllers).

Applications

Large infrastructures, industry, critical buildings & process where the continuity of service is a priority.



Interlocking of two Masterpact NT or NW circuit breakers using connecting rods.

Schneider Electric offers source change-over systems based on Masterpact NT and NW devices.

They are made of up to 3 circuit breakers or switch-disconnectors linked by an electrical interlocking system that may have different configurations. Moreover, a mechanical interlocking system must be added to protect against electrical malfunctions or incorrect manual operations. In addition, a controller can be used for automatically control the source transfer.

The following pages present the different solutions for mechanical and electrical interlocking and associated controllers.

For implementing the mechanical interlocking 2 different possibilities are offered :

- interlocking with rods
- interlocking with cables.

Interlocking of two Masterpact NT or NW devices using connecting rods

The two devices must be mounted one above the other (either 2 fixed or 2 drawout devices).

Combinations are possible between Masterpact NT and between Masterpact NW devices.

Installation

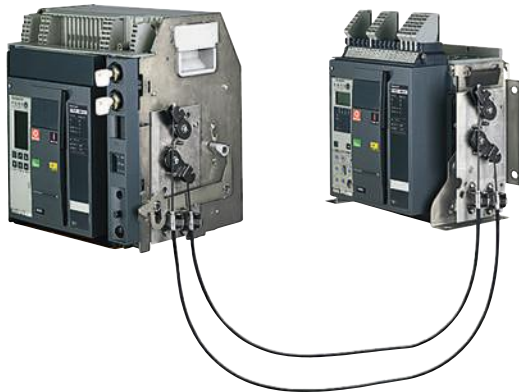
This function requires:

- an adaptation fixture on the right side of each circuit breaker or switch-disconnector
- a set of connecting rods with no-slip adjustments
- the use of a mechanical operation counter is mandatory.

The adaptation fixtures, connecting rods, circuit breakers and switch-disconnectors are supplied separately, ready for assembly by the customer.

The maximum vertical distance between the fixing planes is 900 mm.

PB100942_06_SE.eps



Interlocking of two Masterpact circuit breakers using cable.

Interlocking of two Masterpact NT/NW or up to three Masterpact NW devices using cables

For cable interlocking, the circuit breakers may be mounted one above the other or side-by-side.

The interlocked devices may be fixed or drawout, three-pole or four-pole, and may have different ratings and sizes.

Interlocking between two Masterpact NT or NW

This function requires:

- an adaptation fixture on the right side of each device
- a set of cables without slip adjustments
- the use of a mechanical operation counter CDM is mandatory.

The maximum distance between the fixing planes (vertical or horizontal) is 2000 mm.

Interlocking between three Masterpact NW

This function requires:

- a specific adaptation fixture installed on the right side of each device
- two sets of cables without slip adjustments
- the use of a mechanical operation counter CDM is mandatory.

The maximum distance between the fixing planes (vertical or horizontal) is 1000 mm.

Installation

The adaptation fixtures, sets of cables and circuit breakers or switch-disconnectors are supplied separately, ready for assembly by the customer.

Installation conditions for cable interlocking systems:

- cable length: 2.5 m
- radius of curvature: 100 mm
- maximum number of curves: 3.

Possible combinations of “Normal” and “Replacement” source circuit breakers

“Normal N”	“Replacement” R		
	NT06 to NT16	NW08 to NW40	NW40b to NW63
NT06 to NT16			
Ratings 250... 1600 A	■	■	■
NW08 to NW40			
Ratings 320... 4000 A	■	■	■
NW40b to NW63			
Ratings 4000... 6300 A	■	■	■

All combinations of two Masterpact NT and Masterpact NW devices are possible, whatever the rating or size of the devices.

Possible combinations of three device

	NT06 to NT16	NW08 to NW40	NW40b to NW63
NT06 to NT16			
Ratings 250... 1600 A			
NW08 to NW40			
Ratings 320... 4000 A		■	■
NW40b to NW63			
Ratings 4000... 6300 A		■	■

Only Masterpact NW may be used for three-device combinations.

Types of mechanical interlocking and combinations

Choice criteria

In the applications where the continuity of service is critical ⁽¹⁾ (data centers, airports, hospitals, marine, oil & gas, process industry, ...) the mechanical interlocking by rods and the drawout version devices are strongly recommended.

Mechanical interlocking by rods is preferred as less energy is consumed by friction, so it has less effect on the circuit breaker closing energy.

In terms of breaker mounting type, the drawout version is preferred as :

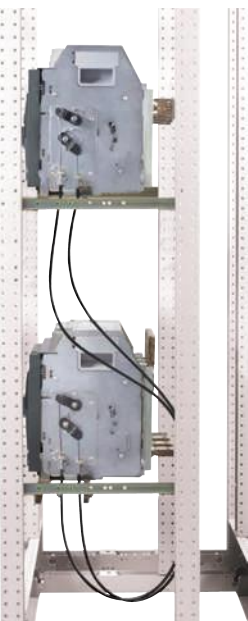
- it provides mechanical isolation of the circuit breaker from possible external stress on the terminals by having a flexible connection at the clusters level
- it allows simple and total access for periodic maintenance
- it allows quick replacement of the device if necessary.

When not possible, cable interlocking or fixed versions can be used, but the installation rules detailed in the 2 sections below must be strictly respected and mainly :

- the busbars or the cables used for the power connections must apply no stress on the circuit breakers terminals. Their weight must be supported by the switchboard frame.

Please refer to the “Switchboard integration - Installation rules – Power connection” section in this catalogue as well as to the Data Bulletin “Installation of Fixed Masterpact NW Circuit Breakers in Electrical Equipment – Class 0613” available on www.schneider-electric.com for more details.

PB113432_R.eps



Interlocking of two Masterpact circuit breakers using cable.

⁽¹⁾ for more details please contact your local support.

Note: for cable length higher than 2,5m please consult us before ordering the circuit breakers for a customised solution.

See catalogue “Source changeover systems”, ref. LVPED211022EN.

Electrical interlocking is used with a mechanical interlocking system.

Moreover, the relays controlling the closing order to the “S1” and “S2” circuit breakers must be mechanically and/or electrically interlocked to prevent them from giving simultaneous closing commands.

Electrical interlocking is carried out by an electrical control device.

For Masterpact, this function can be implemented in one of two ways:

- using the IVE unit
- by an electrician based on the diagrams in accordance with the chapter “Electric diagrams” of this catalogue.

Characteristics of the IVE unit

- External connection terminal block:
 - inputs: circuit breaker control signals
 - outputs: status of the SDE contacts on the “S1” and “S2” source circuit breakers.
- 2 connectors for the two “S1” and “S2” source circuit breakers:
 - inputs:
 - status of the OF contacts on each circuit breaker (ON or OFF)
 - status of the SDE contacts on the “S1” and “S2” source circuit breakers
 - outputs: power supply for operating mechanisms.
- Control voltage:
 - 24 to 250 V DC
 - 48 to 415 V 50/60 Hz - 440 V 60 Hz.

The IVE unit control voltage must be same as that of the circuit breaker operating mechanisms.



IVE unit.

Necessary equipment

For Masterpact NT and NW, each circuit breaker must be equipped with:

- a remote-operation system made up of:
 - MCH gear motor
 - MX or MN opening release
 - XF closing release
 - PF “ready to close” contact
 - CDM mechanical operation counter
- an available OF contact
- one to three CE connected-position contacts (carriage switches) on drawout circuit breakers (depending on the installation).

Controller selection

By combining a remote-operated source-changeover system with an integrated BA or UA automatic controller, it is possible to automatically control source transfer according to user-selected sequences. These controllers can be used on source-changeover systems comprising 2 circuit breakers. For source-changeover systems comprising 3 circuit breakers, the automatic control diagram must be prepared by the installer as a complement to the diagrams provided in the “electrical diagrams” section of this catalogue.

DB403009.eps



BA controller.

DB403010.eps



UA controller.

Controller		BA	UA					
Compatible circuit breakers		All Masterpact circuit breakers						
4-position switch								
Automatic operation		■	■					
Forced operation on “Normal” source		■	■					
Forced operation on “Replacement” source		■	■					
Stop (both “Normal” and “Replacement” sources off)		■	■					
Automatic operation								
Monitoring of the “Normal” source and automatic transfer		■	■					
Generator set startup control			■					
Delayed shutdown (adjustable) of generator set			■					
Load shedding and reconnection of non-priority circuits			■					
Transfer to the “Replacement” source if one of the phases of the “Normal” phase is absent			■					
Test								
By opening the P25M circuit breaker supplying the controller		■						
By pressing the test button on the front of the controller			■					
Indications								
Circuit breaker status indication on the front of the controller: on, off, fault trip		■	■					
Automatic mode indicating contact		■	■					
Other functions								
Selection of type of “Normal” source (single-phase or three-phase) ⁽¹⁾			■					
Voluntary transfer to “Replacement” source (e.g. energy management commands)		■	■					
During peak-tariff periods (energy management commands) forced operation on “Normal” source if “Replacement” source not operational			■					
Additional contact (not part of controller). Transfer to “Replacement” source only if contact is closed. (e.g. used to test the frequency of UR).		■	■					
Setting of maximum startup time for the replacement source			■					
Options								
Communication option								
Power supply								
Control voltages ⁽²⁾		110 V	■	■				
		220 to 240 V 50/60 Hz	■	■				
		380 to 415 V 50/60 Hz and 440 V 60 Hz	■	■				
Operating thresholds								
Undervoltage		0.35 Un ≤ voltage ≤ 0.7 Un	■	■				
Phase failure		0.5 Un ≤ voltage ≤ 0.7 Un		■				
Voltage presence		voltage ≥ 0.85 Un	■	■				
IP degree of protection (EN 60529) and IK degree of protection against external mechanical impacts (EN 50102)								
Front		IP40	■	■				
Side		IP30	■	■				
Connectors		IP20	■	■				
Front		IK07	■	■				
Characteristics of output contacts (dry, volt-free contacts)								
Rated thermal current (A)		8						
Minimum load		10 mA at 12 V						
Output contacts:								
Position of the Auto/Stop switch			■	■				
Load shedding and reconnection order				■				
Generator set start order				■				
			AC	DC				
Utilisation category (IEC 947-5-1)		AC12	AC13	AC14	AC15	DC12	DC13	
Operational current (A)		24 V	8	7	5	5	8	2
		48 V	8	7	5	5	2	-
		110 V	8	6	4	4	0.6	-
		220/240 V	8	6	4	3	-	-
		250 V	-	-	-	-	0.4	-
		380/415 V	5	-	-	-	-	-
		440 V	4	-	-	-	-	-
		660/690 V	-	-	-	-	-	-

⁽¹⁾ For example, 220 V single-phase or 220 V three-phase.

⁽²⁾ The controller is powered by the ACP control plate. The same voltage must be used for the ACP plate, the IVE unit and the circuit-breaker operating mechanisms. If this voltage is the same as the source voltage, then the “Normal” and “Replacement” sources can be used directly for the power supply. If not, an isolation transformer must be used.

Masterpact NT and NW

Types of mechanical interlocking	Possible combinations	Typical electrical diagrams	Diagram no.								
2 devices											
<p>Db101574.eps</p>	<table border="1"> <thead> <tr> <th>QN</th> <th>QR</th> </tr> </thead> <tbody> <tr> <td>0</td> <td>0</td> </tr> <tr> <td>1</td> <td>0</td> </tr> <tr> <td>0</td> <td>1</td> </tr> </tbody> </table>	QN	QR	0	0	1	0	0	1	Masterpact NT and NW: <ul style="list-style-type: none"> ■ electrical interlocking with lockout after fault: <ul style="list-style-type: none"> <input type="checkbox"/> permanent replacement source (with IVE) <input type="checkbox"/> with EPO by MX (with IVE) <input type="checkbox"/> with wEPO by MN (with IVE) ■ automatic control without lockout after fault: <ul style="list-style-type: none"> <input type="checkbox"/> permanent replacement source (with IVE) <input type="checkbox"/> engine generator set (with IVE) ■ BA/UA controller (with IVE) 	51201142 51201143 51201144 51156904 51156905 51156903
QN	QR										
0	0										
1	0										
0	1										

Masterpact NW only

Types of mechanical interlocking	Possible combinations	Typical electrical diagrams	Diagram no.																					
3 devices: 2 "Normal" sources and 1 "Replacement" source																								
<p>Db101575.eps</p>	<table border="1"> <thead> <tr> <th>QN1</th> <th>QN2</th> <th>QR</th> </tr> </thead> <tbody> <tr> <td>0</td> <td>0</td> <td>0</td> </tr> <tr> <td>1</td> <td>1</td> <td>0</td> </tr> <tr> <td>0</td> <td>0</td> <td>1</td> </tr> </tbody> </table>	QN1	QN2	QR	0	0	0	1	1	0	0	0	1	<ul style="list-style-type: none"> ■ electrical interlocking: <ul style="list-style-type: none"> <input type="checkbox"/> without lockout after fault <input type="checkbox"/> with lockout after fault 	51156906 51156907									
QN1	QN2	QR																						
0	0	0																						
1	1	0																						
0	0	1																						
3 devices: 2 "Normal" sources and 1 "Replacement" source with source selection																								
<p>Db101576.eps</p>	<table border="1"> <thead> <tr> <th>QN1</th> <th>QN2</th> <th>QR</th> </tr> </thead> <tbody> <tr> <td>0</td> <td>0</td> <td>0</td> </tr> <tr> <td>1</td> <td>0</td> <td>0</td> </tr> <tr> <td>0</td> <td>0</td> <td>1</td> </tr> <tr> <td>1</td> <td>1</td> <td>0</td> </tr> <tr> <td>0</td> <td>1</td> <td>0</td> </tr> </tbody> </table>	QN1	QN2	QR	0	0	0	1	0	0	0	0	1	1	1	0	0	1	0	<ul style="list-style-type: none"> ■ automatic control with engine generator set: <ul style="list-style-type: none"> <input type="checkbox"/> without lockout after fault (with MN) <input type="checkbox"/> with lockout after fault (with MN) 	51156908 51156909			
QN1	QN2	QR																						
0	0	0																						
1	0	0																						
0	0	1																						
1	1	0																						
0	1	0																						
3 devices: 3 sources, only one device																								
<p>Db101577.eps</p>	<table border="1"> <thead> <tr> <th>QS1</th> <th>QS2</th> <th>QS3</th> </tr> </thead> <tbody> <tr> <td>0</td> <td>0</td> <td>0</td> </tr> <tr> <td>1</td> <td>0</td> <td>0</td> </tr> <tr> <td>0</td> <td>1</td> <td>0</td> </tr> <tr> <td>0</td> <td>0</td> <td>1</td> </tr> </tbody> </table>	QS1	QS2	QS3	0	0	0	1	0	0	0	1	0	0	0	1	<ul style="list-style-type: none"> ■ electrical interlocking: <ul style="list-style-type: none"> <input type="checkbox"/> without lockout after fault <input type="checkbox"/> with lockout after fault 	51156910 51156911						
QS1	QS2	QS3																						
0	0	0																						
1	0	0																						
0	1	0																						
0	0	1																						
3 devices: 2 sources + 1 coupling																								
<p>Db101578.eps</p>	<table border="1"> <thead> <tr> <th>QS1</th> <th>QC</th> <th>QS2</th> </tr> </thead> <tbody> <tr> <td>0</td> <td>0</td> <td>0</td> </tr> <tr> <td>1</td> <td>0</td> <td>1</td> </tr> <tr> <td>1</td> <td>1</td> <td>0</td> </tr> <tr> <td>0</td> <td>1</td> <td>1</td> </tr> <tr> <td>1</td> <td>0</td> <td>0</td> </tr> <tr> <td>0</td> <td>0</td> <td>1</td> </tr> </tbody> </table> <p>(1) possible by forcing operation</p>	QS1	QC	QS2	0	0	0	1	0	1	1	1	0	0	1	1	1	0	0	0	0	1	<ul style="list-style-type: none"> ■ electrical interlocking: <ul style="list-style-type: none"> <input type="checkbox"/> without lockout after fault <input type="checkbox"/> with lockout after fault ■ automatic control with lockout after fault 	51156912 51156913 51156914
QS1	QC	QS2																						
0	0	0																						
1	0	1																						
1	1	0																						
0	1	1																						
1	0	0																						
0	0	1																						

"Lockout after fault" option. This option makes it necessary to manually reset the device following fault tripping.

PB108383AG0.eps



Masterpact NW circuit breakers with corrosion protection are designed for use in industrial environments with high concentrations of sulphur compounds. Examples include paper mills, oil refineries, steel works and water treatment plants, all of which produce large quantities of sulphur dioxide (SO₂) or hydrogen sulphate (H₂S). Under such conditions, silver-plated parts rapidly turn black due to the formation of silver sulphate (AgS) on the surface, an insulating material that can lead to abnormal temperature rise in electrical contacts. This phenomenon can have serious consequences on all equipment installed inside a switchboard.

Circuit breakers used in such environments generally require frequent maintenance and therefore a large number of replacement devices on the site. Furthermore, problems are often encountered even with intensive maintenance.

Masterpact NW circuit breakers with corrosion protection receive special surface treatment on all parts exposed to corrosion and critical with respect to electrical continuity. In this way, the availability of electrical power and operating safety are ensured without special maintenance for the following environmental condition classes as defined by standard IEC 721-3-3:

- 3C3 for H₂S (concentrations from 2.1 to 7.1 x 10⁻⁶)
- 3C4 for SO₂ (concentrations from 4.8 to 14.8 x 10⁻⁶).

The Masterpact NW range of power circuit breakers with corrosion protection offers the following features:

- rated current from 800 A to 4000 A
- 3 and 4-pole models
- drawout circuit breaker
- operational voltage up to 690 V AC
- Ics breaking capacity of 100 kA at 220/415 V AC
- reverse feed possible
- stored-energy mechanism for instantaneous closing (source coupling).
- 3 types of RMS electronic protection
- adjustable long-time settings from 0.4 to 1 I_n, with fine adjustment via local keypad or remote supervisor
- electronic functions dedicated to energy management and power-quality analysis.

The Masterpact NW range complies with the main standards and certifications


- IEC 60947-1 and 60947-2
- IEC 68230 (damp heat) and IEC 68252 severity level 2 (salt mist)
- IEC 60068-2-42 and IEC 60068-2-43 for corrosive environments:
 - SO₂ : tested to IEC 60068-2-42 in a 3C4 environment as defined by IEC 60721-3-3
 - H₂S: tested to IEC 60068-2-43 in a 3C3 environment as defined IEC 60721-3-3.

A complete range of electrical accessories and auxiliaries

- Motor mechanism (MCH).
- Undervoltage release (MN, MNR).
- Shunt trip unit (MX).
- Closing release (XF).
- Auxiliary contacts (OF).
- Low-level indication contacts (SDE, PF, CD, CT, CE and EF).
- Electrical closing button (BPFE).
- Locking by padlocks and/or keylocks.
- Source-changeover systems for 2 or 3 devices.

Maximum safety

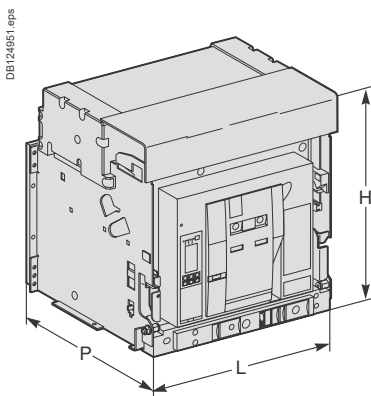
The Masterpact NW range with corrosion protection offers the same safety features as the standard version:

- positive contact indication
- high impulse withstand voltage (12 kV)
- suitable for isolation in compliance with IEC 60947-2, as indicated by the disconnecter symbol on the front face: 
- front face insulation class 2, allowing class 2 installations with breaker control from outside.

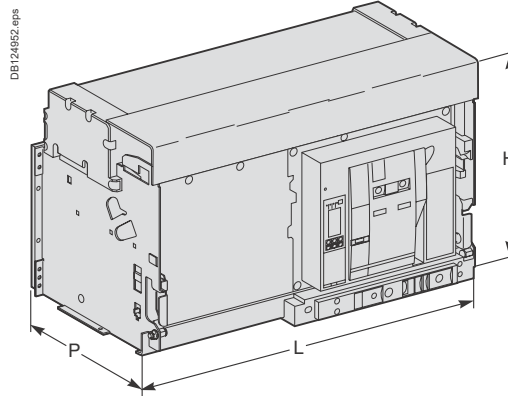
Characteristics according to IEC 60 947-2

				NW08H2	NW10H2	NW12H2	NW16H2	NW20H2	NW25H2	NW32H2	NW40bH2		
Number of poles				3, 4									
Rated insulation voltage Ui (V)				1000									
Rated operational voltage Ue (V)				690									
Closing time (ms)				< 50									
Rated current	In (A)	Vertical connection	40 °C	800	1000	1250	1600	2000	2500	3200	4000		
			45 °C	800	1000	1250	1600	2000	2500	3200	4000		
			50 °C	800	1000	1250	1600	2000	2500	3200	4000		
			55 °C	800	1000	1250	1550	1900	2500	3150	4000		
			60 °C	800	1000	1250	1500	1800	2500	3000	4000		
			Horizontal connection	40 °C	800	1000	1250	1600	2000	2500	-	4000	
		45 °C	800	1000	1250	1550	1900	2500	-	4000			
		50 °C	800	1000	1250	1500	1800	2500	-	4000			
		55 °C	800	1000	1250	1450	1700	2400	-	4000			
		60 °C	800	1000	1250	1400	1600	2300	-	3900			
		4 th pole rating				800	1000	1250	1600	2000	2500	3200	4000
		Rated ultimate breaking capacity	Icu (kArms) CA 50/60 Hz	220/440 V	100	100	100	100	100	100	100	100	150
690 V	85			85	85	85	85	85	85	85	100		
Rated service breaking capacity	Ics = Icu x...		100 %	100 %	100 %	100 %	100 %	100 %	100 %	100 %	100 %		
Break time (ms)			Total maxi	25 to 30 with no intentional delay									

Dimensions and connection



Masterpact NW08 to NW32 with corrosion protection.



Masterpact NW40b with corrosion protection.

Drawout device	L (mm)		H (mm)	P (mm)
	3P	4P		
800 to 3200 A	441	556	439	395
4000 A	786	1016	479	395

Connections

- Power circuits:
 - vertical rear connections as standard
 - possibility of conversion to horizontal rear connections on-site by rotating the connectors, except for NW32, available with vertical rear connections only.
- Auxiliaries connected to terminal block on circuit breaker front face.

Earthing switch Masterpact

The Masterpact Earthing Switch can be racked into any compatible Masterpact NW chassis in place of a Masterpact circuit breaker. It is used to interconnect and earth the phase and neutral conductors of an electrical installation to ensure the safety of personnel during servicing. It can be locked in earthed position.

PE104426A30.eps



Main characteristics

Rated insulation voltage	1000 V
Rated operational voltage	690 V
Rated current	800 to 4000 A
Latching capacity	135 kA peak
Rated short-time withstand current	60 kA/1s 50 kA/3s
Compatibility	Compatible with drawout NW08 to NW40 circuit breakers, types N1/H1/NA/HA, 3-pole and 4-pole rear connected versions
Remote indication	12 ON/OFF indication contacts that can be used according to the chassis auxiliary wiring

The Earthing Switch is compatible with Masterpact NW08 to NW40 type N1, H1, NA and HA circuit breakers in both 3-pole and 4-pole versions. It has two parts:

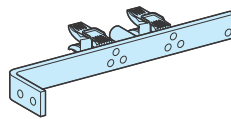
- a chassis earthing kit for installation on the Masterpact NW chassis. Two different versions are available for 3-pole and 4-pole chassis.
- the Earthing Switch itself, which is a specific Masterpact NW device that can be racked into any chassis equipped with an earthing kit, in place of the circuit breaker. Two versions are available (3-pole and 4-pole).

An earthing kit must be installed on the chassis of each circuit breaker protecting a circuit that may require earthing while work is being carried out. However, a single earthing switch is often sufficient for an entire installation if only one circuit is to be serviced at any given time.

The standard Earthing Switch comes with the short-circuit bar installed across the bottom (downstream) connections for earthing of the upstream portion of the circuit. The user can easily move the short-circuit bar to the top connections if the downstream portion of the circuit needs to be earthed.

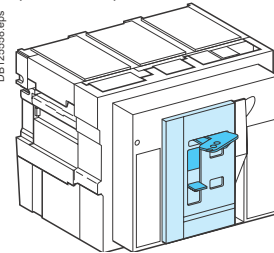
Earthing kit (for chassis)

DB125557.eps



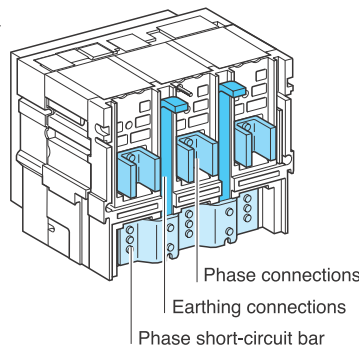
Earthing switch (front view)

DB125558.eps

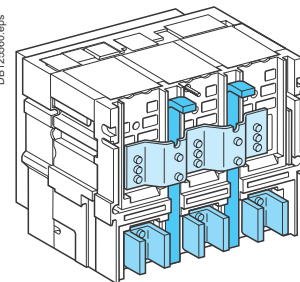


Earthing switch (rear view)

DB125559.eps



DB125560.eps



With short-circuit bar on the bottom connections. With short-circuit bar on the top connections.

Locking in earthed position by 3 padlocks

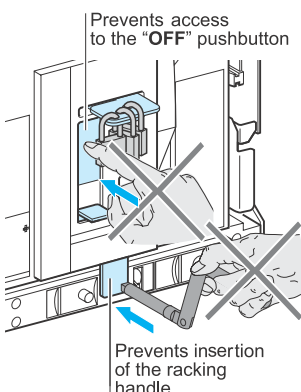
The standard Earthing Switch can be locked in earthed position by one to three padlocks as long as the following conditions are satisfied:

- the Earthing Switch must be in "connected" position in a chassis equipped with an earthing kit
 - the Earthing Switch must be in "ON" position.
- Under these conditions, the installation is earthed.

When the Earthing Switch is locked in earthed position:

- it cannot be moved to "disconnected" position (a shutter prevents insertion of the racking handle)
- it cannot be turned "OFF" (a shutter prevents access to the "OFF" pushbutton).

DB125561.eps

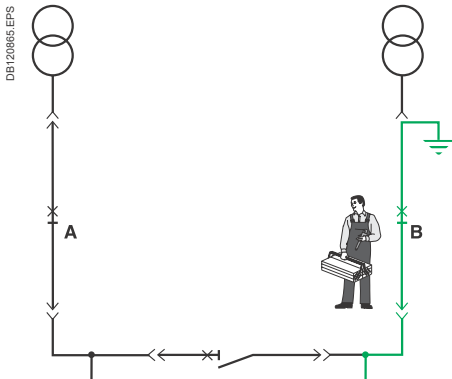


Typical applications

The earthing switch is used to protect maintenance personnel working on an installation against the risk of accidental connection of a parallel source or energisation by reverse power. Protection is provided by earthing the part of the installation that is to be worked on.

Application n°1

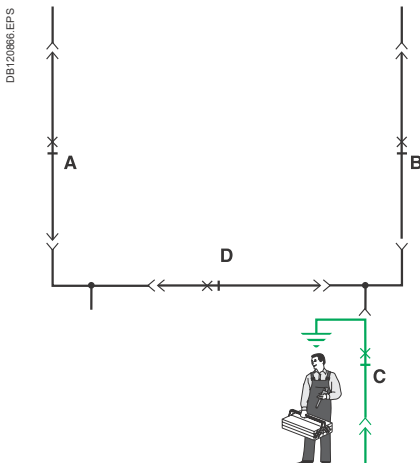
Earthing of one section of a coupled busbar arrangement



When working on section **B**, the bus coupler is normally open. To protect personnel in the event of accidental closing of this device, an earthing switch with the upstream terminals earthed is installed in place of the circuit breaker at **B**. In this way section **B** will remain at earth potential under all circumstances and the personnel can work in complete safety.

Application n°2

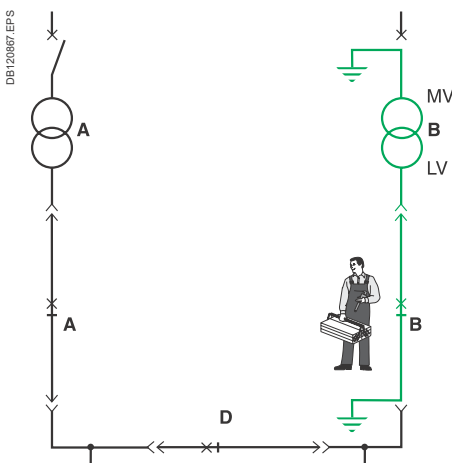
Earthing an outgoer



When working on outgoer **C**, installation of an earthing switch with the upstream terminals earthed (in place of the circuit breaker at **C**) ensures complete safety even if all the other devices on the installation are closed.

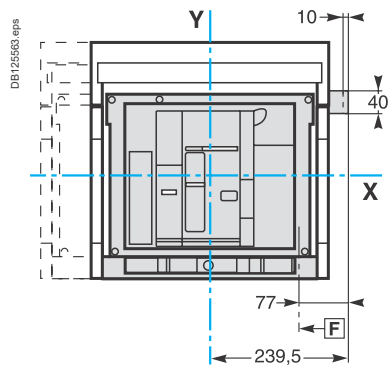
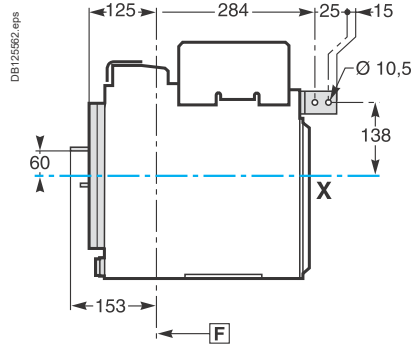
Application n°3

Earthing of an MV/LV transformer



When working on an MV/LV transformer, upstream earthing is carried out by means of the usual medium voltage and high voltage procedures. Installation of an earthing switch with the downstream terminals earthed (in place of the circuit breaker at **B**) maintains the part of the installation between the upstream MV circuit breaker and the downstream LV circuit breaker at earth potential. In this way, the personnel can work in complete safety even if the rest of the installation is energised.

Dimensions and connection



schneider-electric.com

This international site allows you to access all the Schneider Electric Solution and Product information via :

- comprehensive descriptions
- range data sheets
- a download area
- product selectors
- ...

You can also access the information dedicated to your business and get in touch with your Schneider Electric country support.

The screenshot displays the Schneider Electric website interface. At the top left is the Schneider Electric logo with the tagline "the global specialist in energy management". To the right is a search bar and a language selector set to "Global". Below the logo is a horizontal navigation menu with tabs for "Solutions", "Products and Services", "Support", "Your business", and "Company".

The "Solutions" tab is active, showing a grid of industry-specific solution cards with images and labels: Electric Utilities, Water & Wastewater, Marine, Oil & Gas, Mining, Mineral, Metals, Food & Beverage, Data Centres, Healthcare, Life Sciences, Hotels, Office Buildings, Retail, Energy Efficiency, and Machine Control Solutions.

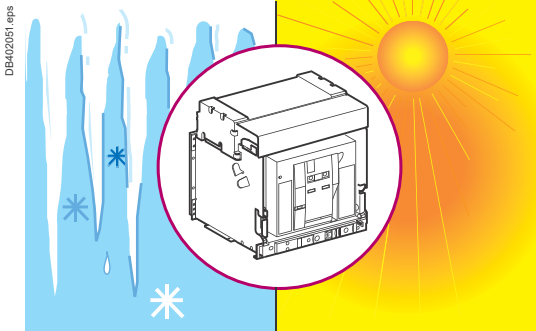
Below the industry solutions is a large banner for "EcoStruxure". Underneath this banner are five main product categories, each with a list of specific solutions:

- Power Management:**
 - Power Management Systems
 - High Density Metering
 - Energy Tariff Optimization
 - Power Quality Mitigation
 - Local LV/MV Protection & Control
 - Intelligent Power & Motor Control
 - Renewable Energy Conversion
 - EVlink charging solutions for electric vehicles
- Process & Machines Management:**
 - Process & Machines Management Systems
 - General Machines Control
 - Packaging Control
 - Material Handling Control
 - Hoisting Control
- IT / Server Room Management:**
 - IT / Server Room Management Systems
 - Rack Systems
 - Uninterruptible Power Supply
 - Cooling Control
 - Surveillance
- Building Management:**
 - Lighting Control
 - Outdoor Lighting Control
 - HVAC Control
 - Room Control
- Security Management:**
 - Security Management Systems
 - Access Control
 - Video Security
 - Fire & Life Safety
 - Intrusion Detection

At the bottom of the page is a footer with navigation links: Home | Solutions | Products and Services | Support | Your business | Company, and copyright information: © Schneider Electric | Privacy Policy.

<i>Presentation</i>	2
<i>Functions and characteristics</i>	A-1
Operating conditions	B-2
Installation in switchboard	B-4
Door interlock catch	B-6
Power connection	B-8
Recommended busbars drilling	
Masterpact NT06 to NT16	B-10
Masterpact NW08 to NW63	B-11
Busbar sizing	B-12
Temperature derating	
Power dissipation and input / output resistance	B-14
Derating in switchboards	B-15
Substitution kit	
Fixed / drawout devices 800 to 3200 A	B-22
Control wiring	B-23
Masterpact M Retrofit	B-24
<i>Dimensions and connections</i>	C-1
<i>Electrical diagrams</i>	D-1
<i>Additional characteristics</i>	E-1
<i>Catalogue numbers and order form</i>	F-1

Masterpact circuit breakers have been tested for operation in industrial atmospheres. It is recommended that the equipment be cooled or heated to the proper operating temperature and kept free of excessive vibration and dust.



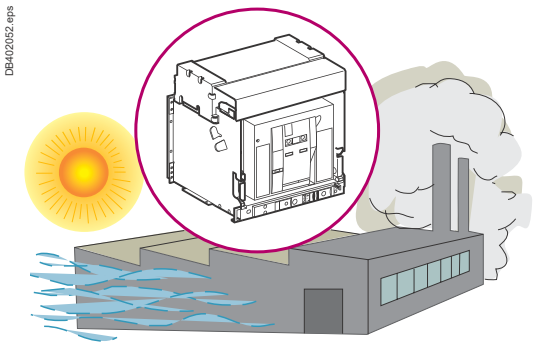
Ambient temperature

Masterpact devices can operate under the following temperature conditions:

- the electrical and mechanical characteristics are stipulated for an ambient temperature of -25 °C to +70 °C
- circuit breaker closing is guaranteed down to -35 °C by manual operation (push button).

Storage conditions are as follows:

- -40 to +85 °C for a Masterpact device without its control unit
- -25 °C to +85 °C for the control unit.



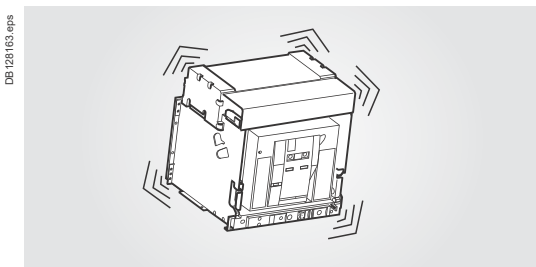
Extreme atmospheric conditions

Masterpact devices have successfully passed the tests defined by the following standards for extreme atmospheric conditions:

- IEC 60068-2-1: dry cold at -40 °C
- IEC 60068-2-2: dry heat at +85 °C
- IEC 60068-2-30: damp heat (temperature +55 °C, relative humidity 95 %)
- IEC 60068-2-52 level 2: salt mist.

Masterpact devices can operate in the industrial environments defined by standard IEC 60947 (pollution degree up to 4).

It is nonetheless advised to check that the devices are installed in suitably cooled switchboards without excessive dust.



Vibrations

Masterpact devices have successfully passed testing in compliance with IEC 60068-2-6 for the following vibration levels:

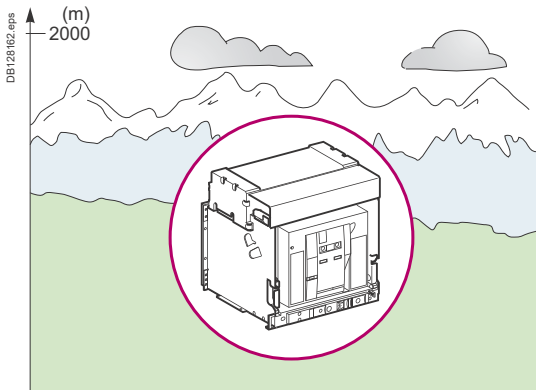
- 2 to 13.2 Hz: amplitude ± 1 mm
- 13.2 to 100 Hz: constant acceleration 0.7 g.

Vibration testing to these levels is required by merchant marine inspection organisations (Veritas, Lloyd's, etc).

Some applications have vibration profiles outside of this standard and require special attention during application design, installation, and use. Excessive vibration may cause unexpected tripping, damage to connections or to other mechanical parts. Please refer to the Masterpact maintenance guide (causes of accelerated ageing / operating conditions / vibrations) for additional information.

Examples of applications with high vibration profiles could include:

- wind turbines
- power frequency converters that are installed in the same switchboard or close proximity to the Masterpact circuit breaker
- emergency generators
- high vibration marine applications such as thrusters, anchor positioning systems, etc.

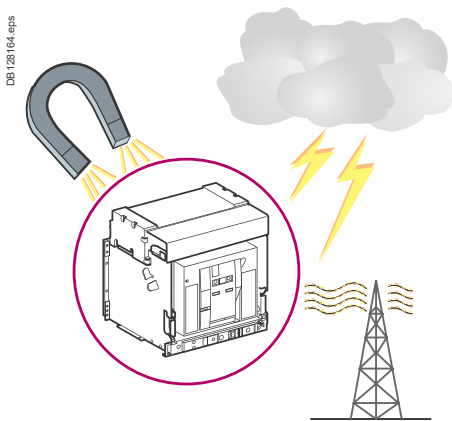


Altitude

At altitudes higher than 2000 metres, the modifications in the ambient air (electrical resistance, cooling capacity) lower the following characteristics as follows:

Altitude (m)	2000	3000	4000	5000
Impulse withstand voltage U_{imp} (kV)	12	11	10	8
Rated insulation voltage (U_i)	1000	900	780	700
Maximum rated operational voltage 50/60 Hz U_e (V)	NT, NW except H10	690	630	560
	NW H10	1000	890	795
Rated current 40 °C	1 x I_n	0.99 x I_n	0.96 x I_n	0.94 x I_n

Note: intermediate values may be obtained by interpolation.



Electromagnetic disturbances

Masterpact devices are protected against:

- overvoltages caused by devices that generate electromagnetic disturbances
- overvoltages caused by atmospheric disturbances or by a distribution-system outage (e.g. failure of a lighting system)
- devices emitting radio waves (radios, walkie-talkies, radar, etc.)
- electrostatic discharges produced by users.

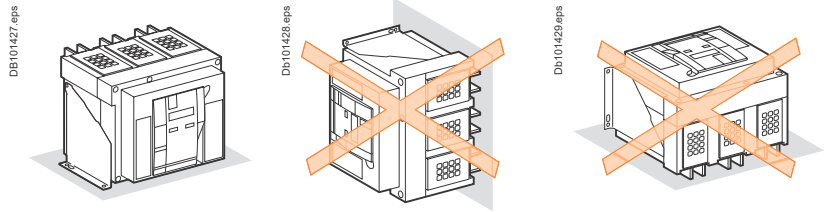
Masterpact devices have successfully passed the electromagnetic-compatibility tests (EMC) defined by the following international standards:

- IEC 60947-2, appendix F
- IEC 60947-2, appendix B (trip units with earth-leakage function).

The above tests guarantee that:

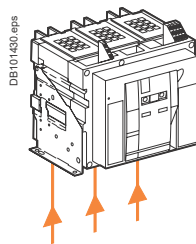
- no nuisance tripping occurs
- tripping times are respected.

Possible positions



Power supply

Masterpact devices can be supplied either from the top or from the bottom without reduction in performance, in order to facilitate connection when installed in a switchboard.

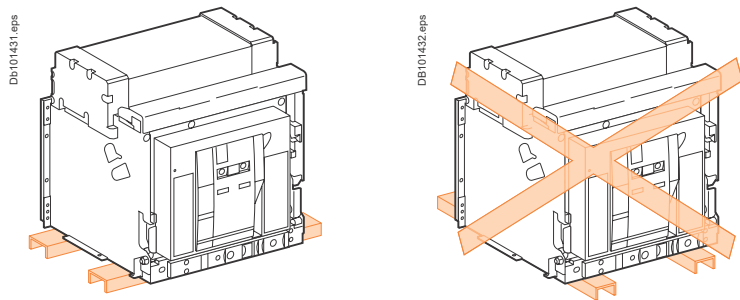


Mounting the circuit breaker

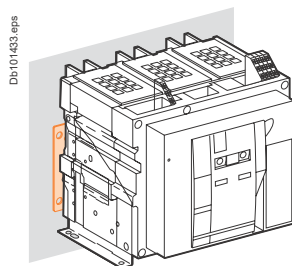
It is important to distribute the weight of the device uniformly over a rigid mounting surface such as rails or a base plate.

This mounting plane should be perfectly flat (tolerance on support flatness: 2 mm). This eliminates any risk of deformation which could interfere with correct operation of the circuit breaker.

Masterpact devices can also be mounted on a vertical plane using the special brackets.



Mounting on rails.

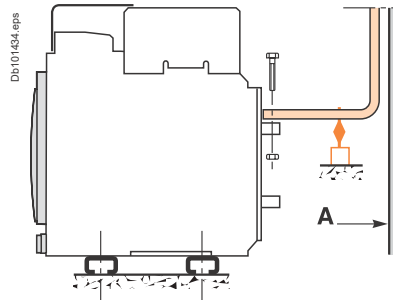


Mounting with vertical brackets.

Partitions

Sufficient openings must be provided in partitions to ensure good air circulation around the circuit breaker; Any partition between upstream and downstream connections of the device must be made of non-magnetic material.

For high currents, of 2500 A and upwards, the metal supports or barriers in the immediate vicinity of a conductor must be made of non-magnetic material **A**. Metal barriers through which a conductor passes must not form a magnetic loop.

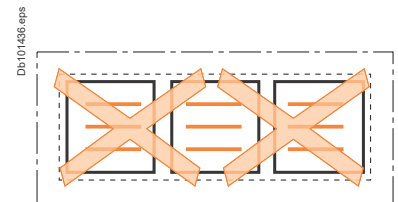
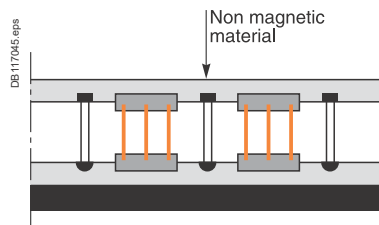


A : non magnetic material.



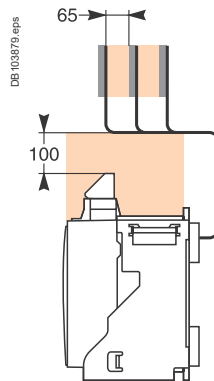
Busbars (NT, NW)

The mechanical connection must exclude the possibility of formation of a magnetic loop around a conductor.



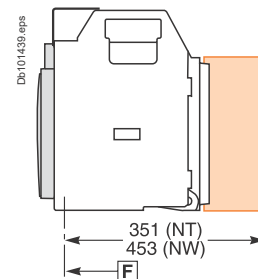
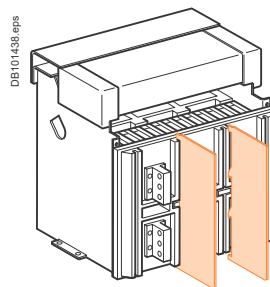
Busbars (NT)

For live busbars installed immediately above the circuit breaker (respecting the 100 mm safety clearance), the distance between bars must be 65 mm minimum. In a 1000 V system, the bars must be insulated.



Interphase barrier

If the insulation distance between phases is not sufficient (≤ 14 mm), it is advised to install phase barriers (taking into account the safety clearances). Mandatory for a Masterpact NT > 500 V.

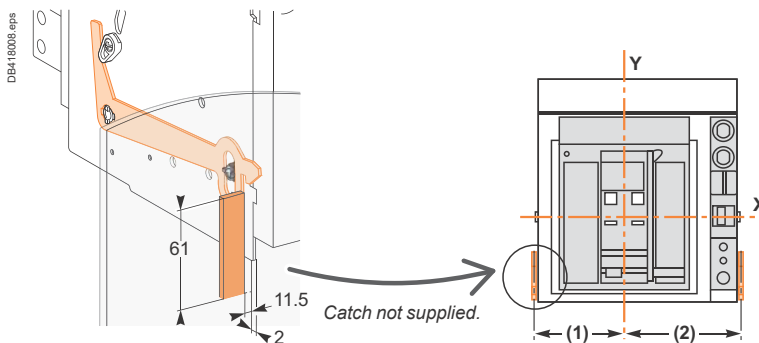


Door interlock VPEC

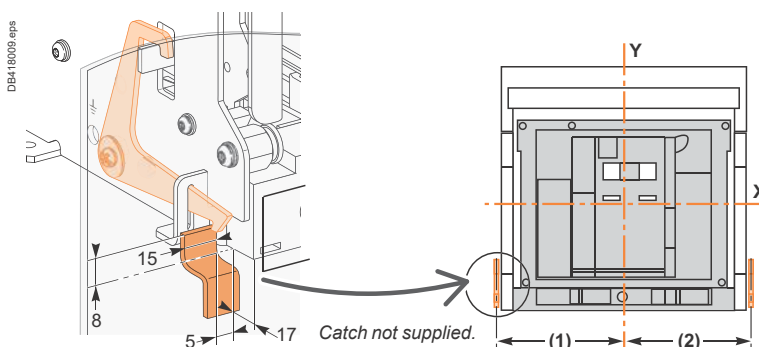
Mounted on the right or left-hand side of the chassis, this device inhibits opening of the cubicle door when the circuit breaker is in “connected” or “test” position. If the breaker is put in the “disconnected” position with the door open, the door may be closed without having to disconnect the circuit breaker.

Dimensions (mm)

Type	(1)	(2)
NT08-16 (3P)	135	168
NT08-16 (4P)	205	168
NW08-40 (3P)	215	215
NW08-40 (4P)	330	215
NW40b-63 (3P)	660	215
NW40b-63 (4P)	775	215



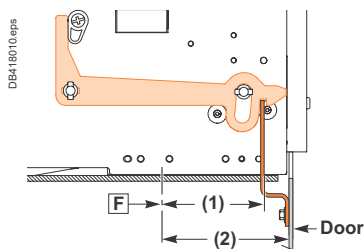
NT06-16.



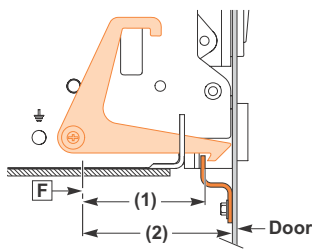
NT08-63.

Breaker in “connected” or “test” position

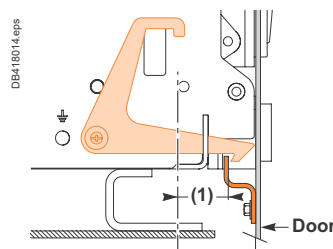
Door cannot be opened



NT06-16.



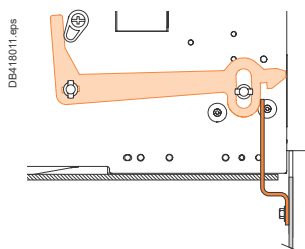
NW08-40.



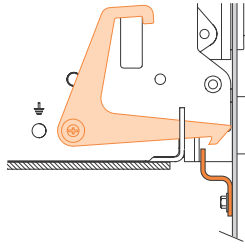
NW40b-63.

Breaker in “disconnected” position

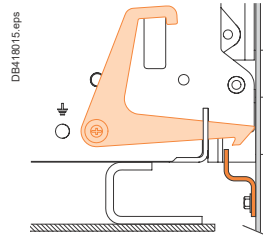
Door can be opened



NT06-16.



NW08-40.



NW40b-63.

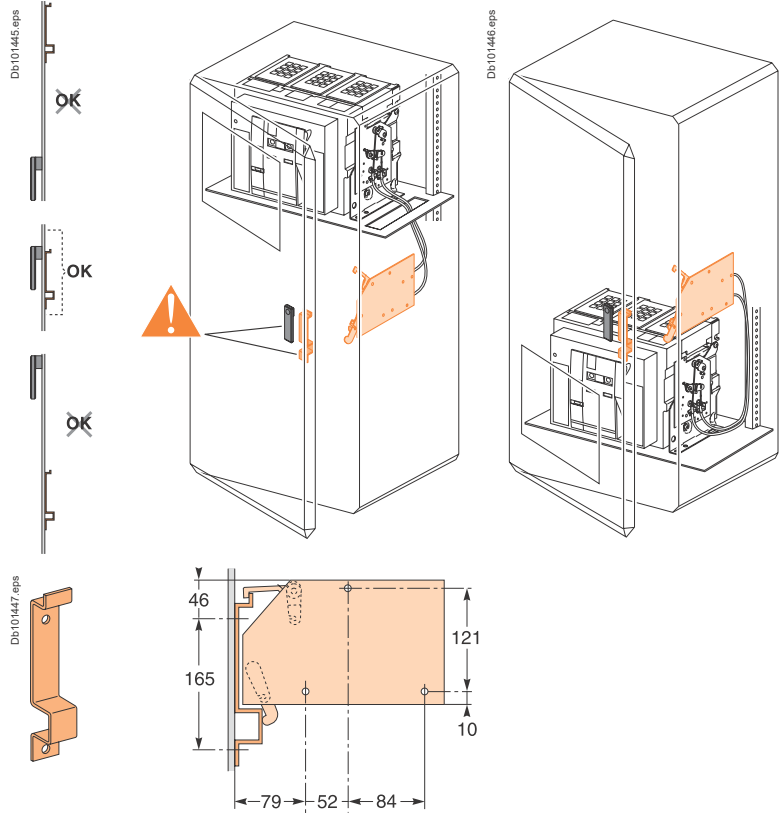
Dimensions (mm)

Type	(1)	(2)
NT	5	23
NW08-40	87	103
NW40b-63	37	53

Cable-type door interlock IPA

This option prevents door opening when the circuit breaker is closed and prevents circuit breaker closing when the door is open.

For this, a special plate associated with a lock and a cable is mounted on the right side of the circuit breaker. With this interlock installed, the source changeover function cannot be implemented.



Note: the door interlock can either be mounted on the right side or the left side of the breaker.

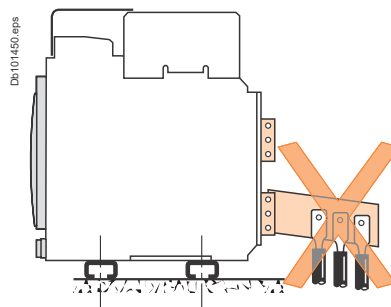
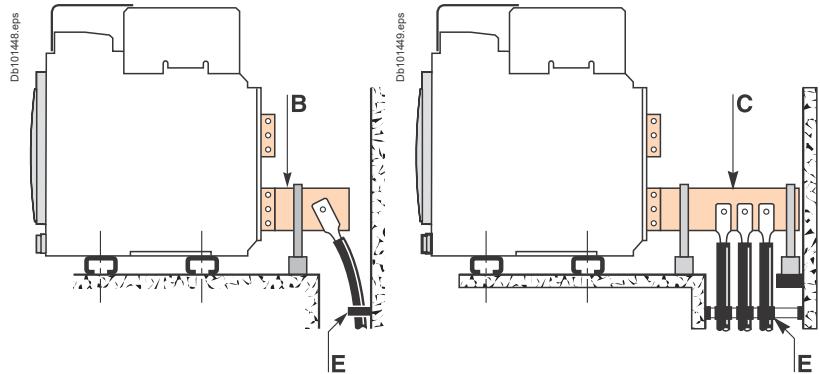
F : datum.

Cables connections

If cables are used for the power connections, make sure that they do not apply excessive mechanical forces to the circuit breaker terminals.

For this, make the connections as follows:

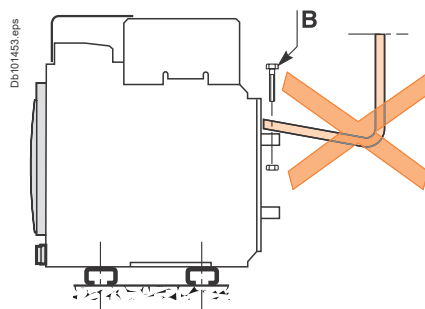
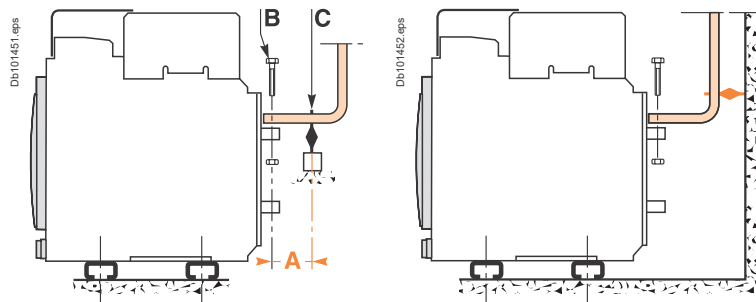
- extend the circuit breaker terminals using short bars designed and installed according to the recommendations for bar-type power connections:
 - for a single cable, use solution **B** opposite
 - for multiple cables, use solution **C** opposite
- in all cases, follow the general rules for connections to busbars:
 - position the cable lugs before inserting the bolts
 - the cables should firmly secured to the framework **E**.



Busbars connections

The busbars should be suitably adjusted to ensure that the connection points are positioned on the terminals before the bolts are inserted **B**.

The connections are held by the support which is solidly fixed to the framework of the switchboard, such that the circuit breaker terminals do not have to support its weight **C** (this support should be placed close to the terminals).

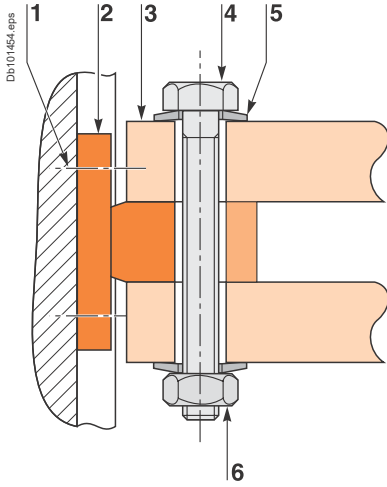


Electrodynamic stresses

The first busbar support or spacer shall be situated within a maximum distance from the connection point of the breaker (see table below). This distance must be respected so that the connection can withstand the electrodynamic stresses between phases in the event of a short circuit.

Maximum distance A between busbar to circuit breaker connection and the first busbar support or spacer with respect to the value of the prospective short-circuit current.

Isc (kA)	30	50	65	80	100	150
Distance A (mm)	350	300	250	150	150	150



- 1 Terminal screw factory-tightened to 16 Nm (NW), 13 Nm (NT).
- 2 Breaker terminal.
- 3 Busbar.
- 4 Bolt.
- 5 Washer.
- 6 Nut.

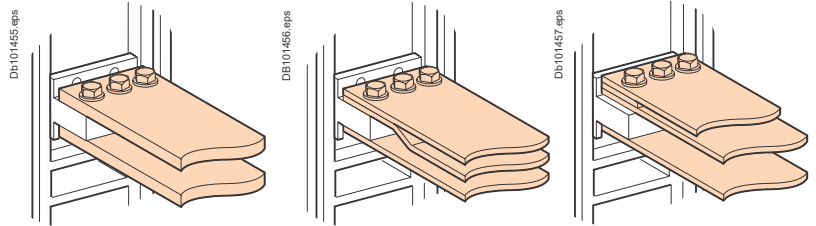
Clamping

Correct clamping of busbars depends amongst other things, on the tightening torques used for the nuts and bolts. Over-tightening may have the same consequences as under-tightening.

For connecting busbars (Cu ETP-NFA51-100) to the circuit breaker, the tightening torques to be used are shown in the table below.

These values are for use with copper busbars and steel nuts and bolts, class 8.8. The same torques can be used with AGS-T52 quality aluminium bars (French standard NFA 02-104 or American National Standard H-35-1).

Examples

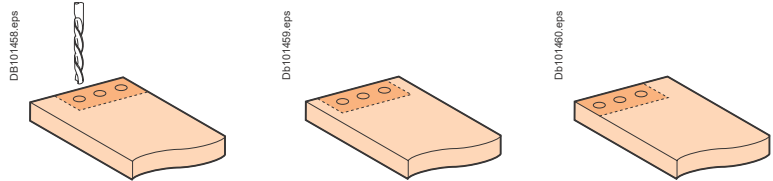


Tightening torques

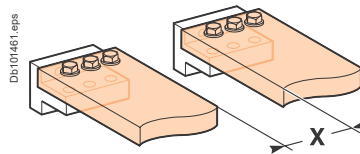
Ø (mm) Nominal	Ø (mm) Drilling	Tightening torques (Nm) with grower or flat washers	Tightening torques (Nm) with contact or corrugate washers
10	11	37.5	50

Busbar drilling

Examples



Isolation distance

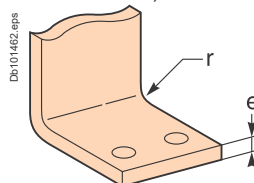


Dimensions (mm)

Ui	X min
600 V	8 mm
1000 V	14 mm

Busbar bending

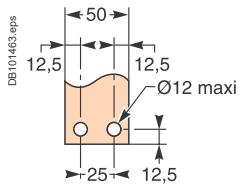
When bending busbars maintain the radius indicated below (a smaller radius would cause cracks).



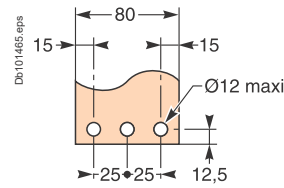
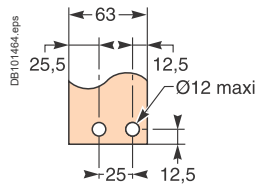
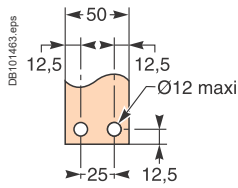
Dimensions (mm)

e	Radius of curvature r Min	Recommended
5	5	7.5
10	15	18 to 20

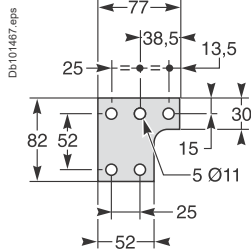
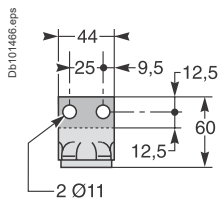
Rear connection



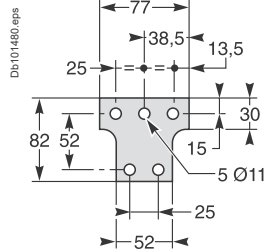
Rear connection with spreaders



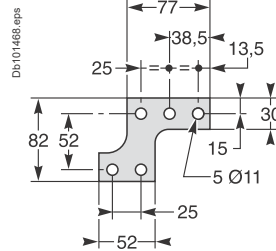
Middle left or middle right spreader for 4P



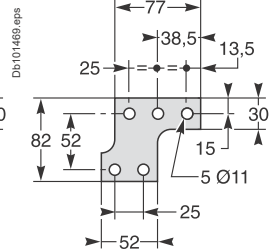
Middle spreader for 3P



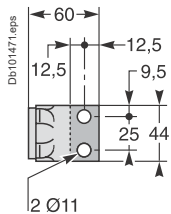
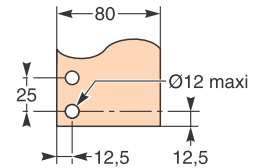
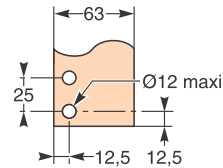
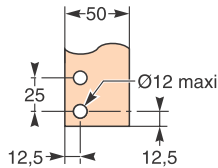
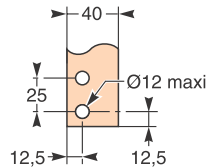
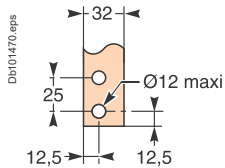
Left or right spreader for 4P



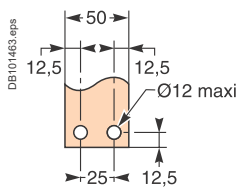
Left or right spreader for 3P



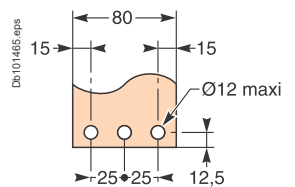
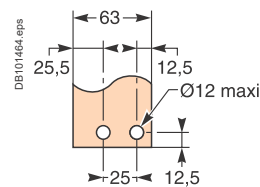
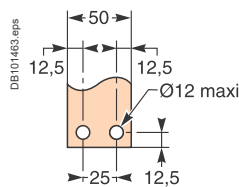
Vertical rear connection



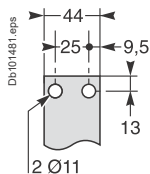
Front connection



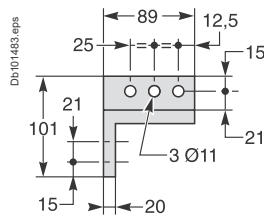
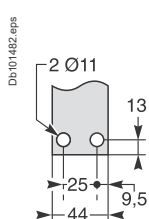
Front connection via vertical connection adapters



Top connection

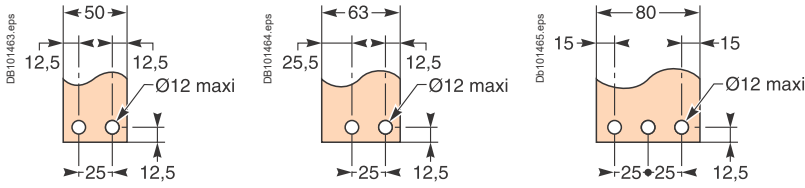


Bottom connection

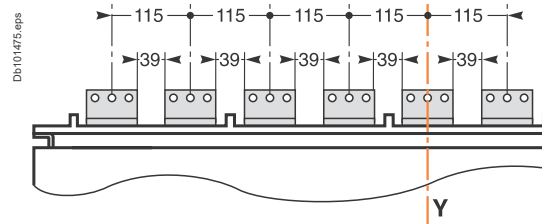
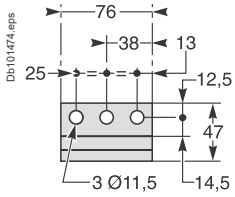
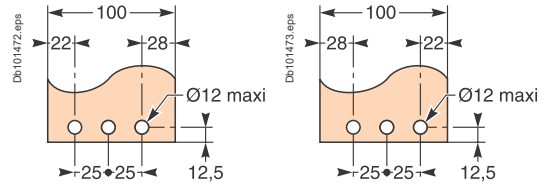


Masterpact NW08 to NW63

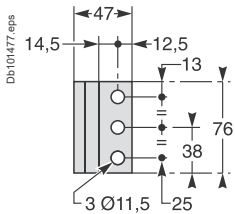
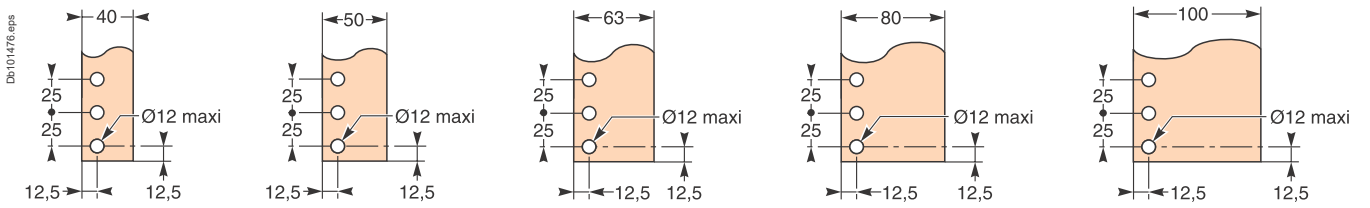
Horizontal rear connection NW08 to NW32



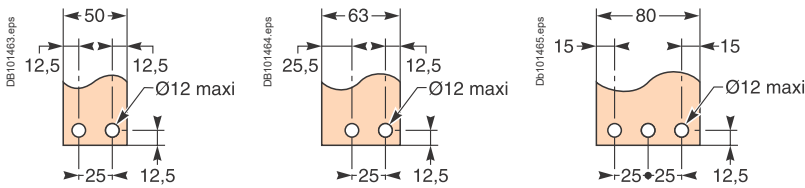
NW40b to NW50



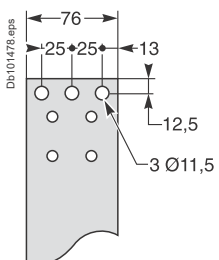
Vertical rear connection NW08 to NW32, NW40b to NW50



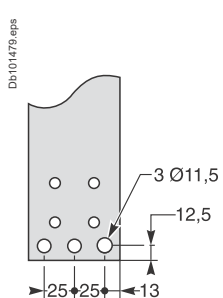
Front connection NW08 to NW32



Top connection



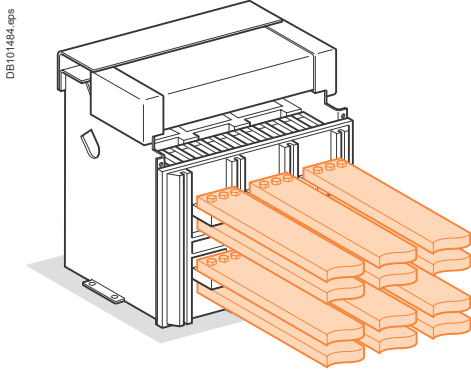
Bottom connection



Basis of tables:

- maximum permissible busbars temperature: 100 °C
- Ti: temperature around the circuit breaker and its connection
- busbar material is unpainted copper.

Front or rear horizontal connection



Masterpact	Maximum service current	Ti : 40 °C		Ti : 50 °C		Ti : 60 °C	
		No. of 5 mm thick bars	No. of 10 mm thick bars	No. of 5 mm thick bars	No. of 10 mm thick bars	No. of 5 mm thick bars	No. of 10 mm thick bars
NT06	400	2b.30 x 5	1b.30 x 10	2b.30 x 5	1b.30 x 10	2b.30 x 5	1b.30 x 10
NT06	630	2b.40 x 5	1b.40 x 10	2b.40 x 5	1b.40 x 10	2b.40 x 5	1b.40 x 10
NT08 or NW08	800	2b.50 x 5	1b.50 x 10	2b.50 x 5	1b.50 x 10	2b.50 x 5	1b.63 x 10
NT10 or NW10	1000	3b.50 x 5	1b.63 x 10	3b.50 x 5	2b.50 x 10	3b.63 x 5	2b.50 x 10
NT12 or NW12	1250	3b.50 x 5	2b.40 x 10	3b.50 x 5	2b.50 x 10	3b.63 x 5	2b.50 x 10
		2b.80 x 5	2b.40 x 10	2b.80 x 5			
NT16 or NW16	1400	3b.63 x 5	2b.40 x 10	3b.63 x 5	2b.50 x 10	3b.80 x 5	2b.63 x 10
NT16 or NW16	1600	3b.80 x 5	2b.63 x 10	3b.80 x 5	2b.63 x 10	3b.80 x 5	3b.50 x 10
NW20	1800	3b.80 x 5	2b.63 x 10	3b.80 x 5	2b.63 x 10	3b.100 x 5	2b.80 x 10
NW20	2000	3b.100 x 5	2b.80 x 10	3b.100 x 5	2b.80 x 10	3b.100 x 5	3b.63 x 10
NW25	2200	4b.100 x 5	2b.80 x 10	4b.100 x 5	2b.80 x 10	4b.100 x 5	2b.100 x 10
NW25	2500	4b.100 x 5	2b.100 x 10	4b.100 x 5	2b.100 x 10	4b.100 x 5	3b.80 x 10
NW32	2800	4b.100 x 5	3b.80 x 10	4b.100 x 5	3b.80 x 10	5b.100 x 5	3b.100 x 10
NW32	3000	5b.100 x 5	3b.80 x 10	6b.100 x 5	3b.100 x 10	8b.100 x 5	4b.80 x 10
NW32	3200	6b.100 x 5	3b.100 x 10	8b.100 x 5	3b.100 x 10		4b.100 x 10
NW40	3800		4b.100 x 10		5b.100 x 10		5b.100 x 10
NW40	4000		5b.100 x 10		5b.100 x 10		6b.100 x 10
NW50	4500		6b.100 x 10		6b.100 x 10		7b.100 x 10
NW50	5000		7b.100 x 10		7b.100 x 10		

With Masterpact NT, it is recommended to use 50 mm wideness bars (see "Recommended busbars drilling").

Example

Conditions:

- drawout version
- horizontal busbars
- Ti: 50 °C
- service current: 1800 A.

Solution:

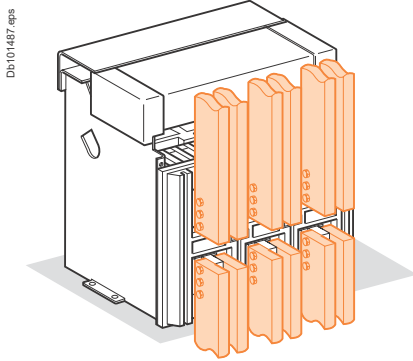
For Ti = 50 °C, use an NW20 which can be connected with three 80 x 5 mm bars or two 63 x 10 mm bars.

Note: the values indicated in these tables have been extrapolated from test data and theoretical calculations. These tables are only intended as a guide and cannot replace industrial experience or a temperature rise test.

Basis of tables:

- maximum permissible busbars temperature: 100 °C
- Ti: temperature around the circuit breaker and its connection
- busbar material is unpainted copper.

Rear vertical connection



Masterpact	Maximum service current	Ti : 40 °C		Ti : 50 °C		Ti : 60 °C	
		No. of 5 mm thick bars	No. of 10 mm thick bars	No. of 5 mm thick bars	No. of 10 mm thick bars	No. of 5 mm thick bars	No. of 10 mm thick bars
NT06	400	2b.30 x 5	1b.30 x 10	2b.30 x 5	1b.30 x 10	2b.30 x 5	1b.30 x 10
NT06	630	2b.40 x 5	1b.40 x 10	2b.40 x 5	1b.40 x 10	2b.40 x 5	1b.40 x 10
NT08 or NW08	800	2b.50 x 5	1b.50 x 10	2b.50 x 5	1b.50 x 10	2b.50 x 5	1b.50 x 10
NT10 or NW10	1000	2b.50 x 5	1b.50 x 10	2b.50 x 5	1b.50 x 10	2b.63 x 5	1b.63 x 10
NT12 or NW12	1250	2b.63 x 5	1b.63 x 10	3b.50 x 5	2b.40 x 10	3b.50 x 5	2b.40 x 10
NT16 or NW16	1400	2b.80 x 5	1b.80 x 10	2b.80 x 5	2b.50 x 10	3b.63 x 5	2b.50 x 10
NT16 or NW16	1600	3b.63 x 5	2b.50 x 10	3b.63 x 5	2b.50 x 10	3b.80 x 5	2b.63 x 10
NW20	1800	2b.100 x 5	1b.80 x 10	2b.100 x 5	2b.50 x 10	3b.80 x 5	2b.63 x 10
NW20	2000	3b.100 x 5	2b.63 x 10	3b.100 x 5	2b.63 x 10	3b.100 x 5	2b.80 x 10
NW25	2200	3b.100 x 5	2b.63 x 10	3b.100 x 5	2b.63 x 10	3b.100 x 5	2b.80 x 10
NW25	2500	4b.100 x 5	2b.80 x 10	4b.100 x 5	2b.80 x 10	4b.100 x 5	3b.80 x 10
NW32	2800	4b.100 x 5	2b.100 x 10	4b.100 x 5	2b.100 x 10	4b.100 x 5	3b.80 x 10
NW32	3000	5b.100 x 5	3b.80 x 10	6b.100 x 5	3b.100 x 10	5b.100 x 5	4b.80 x 10
NW32	3200	6b.100 x 5	3b.100 x 10	6b.100 x 5	3b.100 x 10		4b.100 x 10
NW40	3800		4b.100 x 10		4b.100 x 10		4b.100 x 10
NW40	4000		4b.100 x 10		4b.100 x 10		4b.100 x 10
NW50	4500		5b.100 x 10		5b.100 x 10		6b.100 x 10
NW50	5000		5b.100 x 10		6b.100 x 10		7b.100 x 10
NW63	5700		7b.100 x 10		7b.100 x 10		8b.100 x 10
NW63	6300		8b.100 x 10		8b.100 x 10		

Example

Conditions:

- drawout version
- vertical connections
- Ti: 40 °C
- service current: 1100 A.

Solution :

For Ti = 40 °C use an NT12 or NW12 which can be connected with two 63 x 5 mm bars or with one 63 x 10 mm bar.

Note: the values indicated in these tables have been extrapolated from test data and theoretical calculations. These tables are only intended as a guide and cannot replace industrial experience or a temperature rise test.

Temperature derating Power dissipation and input / output resistance

Temperature derating

The table below indicates the maximum current rating, for each connection type, as a function of T_i around the circuit breaker and the busbars.

Circuit breakers with mixed connections have the same derating as horizontally connected breakers.

For T_i greater than 60 °C, consult us.

T_i : temperature around the circuit breaker and its connection.

Version Connection Temp. T_i	Drawout													
	Front or rear horizontal							Rear vertical						
	40	45	50	55	60	65	70	40	45	50	55	60	65	70
NT06 H1/H2/L1	630							630						
NT08 H1/H2/L1	800							800						
NT10 H1/H2/L1	1000							1000						
NT12 H1/H2	1250			1200				1140						
NT16 H1/H2	1600	1560	1520	1480	1440	1400	1360	1600			1560	1520	1480	1440
NW08 N/H/L	800							800						
NW10 N/H/L	1000							1000						
NW12 N/H/L	1250							1250						
NW16 N/H/L	1600							1600						
NW20 H1/H2/H3	2000			1900				1830				1750		
NW20 L1	2000							2000						
NW25 H1/H2/H3	2500			2450				2370						
NW32 H1/H2/H3	3200		3100		3030		2950		2880		2800		3100	
NW40 H1/H2/H3	4000	3900	3800	3700	3600	3500	3400	4000			3900	3800	3700	3600
NW40b H1/H2	4000							4000						
NW50 H1/H2	5000							5000						
NW63 H1/H2	-							6300						

Version Connection Temp. T_i	Fixed													
	Front or rear horizontal							Rear vertical						
	40	45	50	55	60	65	70	40	45	50	55	60	65	70
NT06 H1/H2/L1	630							630						
NT08 H1/H2/L1	800							800						
NT10 H1/H2/L1	1000							1000						
NT12 H1/H2	1250							1250						
NT16 H1/H2	1600			1560				1520				1480		
NW08 N/H/L	800							800						
NW10 N/H/L	1000							1000						
NW12 N/H/L	1250							1250						
NW16 N/H/L	1600							1600						
NW20 H1/H2/H3	2000			1920				1850				1770		
NW20 L1	-							-						
NW25 H1/H2/H3	2500							2500						
NW32 H1/H2/H3	3200		3140		3050		2960		3200		3100		3000	
NW40 H1/H2/H3	4000			3900	3800	3700	3600	4000				3900	3800	
NW40b H1/H2	4000							4000						
NW50 H1/H2	5000							5000						
NW63 H1/H2	-							6300						

Power dissipation

Total power dissipation is the value measured at I_n , 50/60 Hz, for a 3 pole or 4 pole breaker, warm steady state temperature as per IEC 60947.

Version	Drawout	Fixed
	Power dissipation (Watts)	Power dissipation (Watts)
NT06 H1/H2/L1	55/115 (H1/L1)	30/45
NT08 H1/H2/L1	90/140 (H1/L1)	50/80
NT10 H1/H2/L1	150/230 (H1/L1)	80/110
NT12 H1/H2	250	130
NT16 H1/H2	460	220
NW08 N1	137	62
NW08 H/L	100	42
NW10 N1	220	100
NW10 H/L	150	70
NW12 N1	330	150
NW12 H/L	230	100
NW16 N1	480	220
NW16 H/L	390	170
NW20 H/L	470	250
NW25 H1/H2/H3	600	260
NW32 H1/H2/H3	670	420
NW40 H1/H2/H3	900	650
NW40b H1/H2	550	390
NW50 H1/H2	950	660
NW63 H1/H2	1200	1050

Derating in switchboards

Factors affecting switchboard design

The temperature around the circuit breaker and its connections:

This is used to define the type of circuit breaker to be used and its connection arrangement.

Vents at the top and bottom of the cubicles:

Vents considerably reduce the temperature inside the switchboard, but must be designed so as to respect the degree of protection provided by the enclosure. For weatherproof heavy-duty cubicles, a forced ventilation system may be required.

The heat dissipated by the devices installed in the switchboard:

This is the heat dissipated by the circuit breakers under normal conditions (service current).

The size of the enclosure:

This determines the volume for cooling calculations.

Switchboard installation mode:

Free-standing, against a wall, etc.

Horizontal partitions:

Partitions can obstruct air circulation within the enclosure.

Basis of tables

- switchboard dimensions
- number of circuit breakers installed
- type of breaker connections
- drawout versions
- ambient temperature outside of the switchboard: T_a (IEC 60439-1).

Masterpact NT06-16 H1/H2/L1 (switchboard 2000 x 400 x 400) - area of outlet vents: 150 cm²

Type	NT06 H1/H2/L1		NT08 H1/H2/L1		NT10 H1/H2/L1		NT12 H1/H2		NT16 H1/H2		
Switchboard composition											
Connection type	≡		≡		≡		≡		≡		
Busbar dimensions (mm)	2b. 40 x 5		2b. 50 x 5		3b. 63 x 5		3b. 63 x 5 3b. 50 x 5		3b. 80 x 5 3b. 63 x 5		
Ventilated switchboard (→ IP31)					H1/L1	H1/L1					
$T_a = 35^\circ\text{C}$	4										
	3	630	630	800	800	1000/1000	1000/1000	1250	1250	1400	1520
	2										
$T_a = 45^\circ\text{C}$	4										
	3	630	630	800	800	1000/950	1000/1000	1250	1250	1330	1440
	2										
$T_a = 55^\circ\text{C}$	4										
	3	630	630	800	800	1000/890	1000/960	1200	1250	1250	1340
	2										
	1										
Non ventilated switchboard (→ IP54)											
$T_a = 35^\circ\text{C}$	4										
	3	630	630	800	800	1000/960	1000/1000	1250	1250	1330	1400
	2										
$T_a = 45^\circ\text{C}$	4										
	3	630	630	800	800	1000/910	1000/980	1220	1250	1260	1330
	2										
$T_a = 55^\circ\text{C}$	4										
	3	630	630	800	800	1000/860	1000/930	1150	1230	1200	1260
	2										
	1										

(1) Area of outlet vents: 150 cm².

(2) Area of inlet vents: 150 cm².

Note: the values indicated in these tables have been extrapolated from test data and theoretical calculations. These tables are only intended as a guide and cannot replace industrial experience or a temperature rise test.

The values indicated for the cross-sectional area of the vents should be considered as general indications only given that the thermal performance of a switchboard with natural ventilation depends on many parameters, e.g. shape, porosity and location of vents and air flow within the switchboard.

Masterpact NT06-08 H1/H2/L1 (switchboard 2300 x 1100 x 500) - area of outlet vents: 300 cm²

Type	NT06 H1/H2/L1						NT08 H1/H2/L1				
Switchboard composition											
Connection type											
Busbar dimensions (mm)	2b. 40 x 5						2b. 50 x 5				

Ventilated switchboard (→ IP31)

T _a = 35 °C	NT06						NT08				
	5	4	3	2	1	5	4	3	2	1	
5						630	630				800
4						630	630	630			800
3						630	630	630	630		800
2	630	630	630	630	630	630	630	800	800	800	800
1						630					800
T _a = 45 °C	[Values are identical to the 35 °C row]										
T _a = 55 °C	[Values are identical to the 35 °C row]										

(1) Area of outlet vents: 300 cm².
(2) Area of inlet vents: 300 cm².

Non ventilated switchboard (→ IP54)

T _a = 35 °C	NT06						NT08				
	5	4	3	2	1	5	4	3	2	1	
5						630	630				800
4						630	630	630			800
3						630	630	630	630		800
2	630	630	630	630	630	630	630	800	800	800	800
1						630					800
T _a = 45 °C	[Values are identical to the 35 °C row]										
T _a = 55 °C	[Values are identical to the 35 °C row]										

Note: the values indicated in these tables have been extrapolated from test data and theoretical calculations. These tables are only intended as a guide and cannot replace industrial experience or a temperature rise test.
The values indicated for the cross-sectional area of the vents should be considered as general indications only given that the thermal performance of a switchboard with natural ventilation depends on many parameters, e.g. shape, porosity and location of vents and air flow within the switchboard.

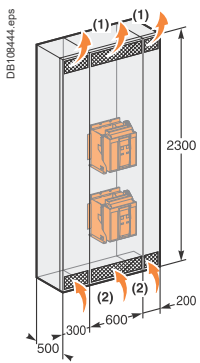
Masterpact NT10-16 H1/H2/L1 (switchboard 2300 x 1100 x 500) - area of outlet vents: 300 cm²

Type	NT10 H1/H2/L1				NT12 H1/H2				NT16 H1/H2			
Switchboard composition												

Connection type											
-----------------	--	--	--	--	--	--	--	--	--	--	--

Busbar dimensions (mm)	3b. 63 x 5				3b. 63 x 5				3b. 80 x 5		
	2b. 63 x 5				3b. 50 x 5				3b. 63 x 5		

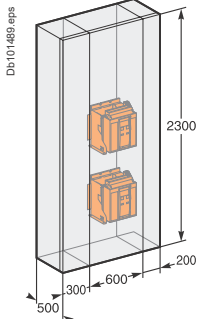
Ventilated switchboard (→ IP31)	5 H1/L1	H1/L1	H1/L1	H1/L1								
$T_a = 35\text{ °C}$	4	1000/1000				1250						
	3	1000/1000 1000/1000				1250 1250		1250 1250		1500		
	2	1000/1000	1000/1000	1000/1000	1000/1000	1250	1250	1250	1250	1460	1600	1550
	1											
	5											
$T_a = 45\text{ °C}$	4	1000/1000				1250						
	3	1000/1000 1000/1000				1250 1250		1250 1250		1420		
	2	1000/960	1000/1000	1000/1000	1000/1000	1250	1250	1250	1250	1400	1500	1480
	1											
	5											
$T_a = 55\text{ °C}$	4	1000/920				1250						
	3	1000/950 1000/930				1250 1250		1250 1250		1330		
	2	1000/900	1000/1000	1000/970	1000/950	1250	1250	1250	1250	1300	1400	1370
	1											
	5											



(1) Area of outlet vents: 300 cm².

(2) Area of inlet vents: 300 cm².

Non ventilated switchboard (→ IP54)	5											
$T_a = 35\text{ °C}$	4	1000/950				1250						
	3	1000/1000 1000/960				1250 1250		1250 1250		1370		
	2	1000/1000	1000/1000	1000/1000	1000/970	1250	1250	1250	1250	1400	1500	1400
	1											
	5											
$T_a = 45\text{ °C}$	4	1000/900				1180						
	3	1000/950 1000/910				1250 1190		1250 1190		1300		
	2	1000/950	1000/1000	1000/960	1000/930	1250	1250	1250	1220	1350	1430	1320
	1											
	5											
$T_a = 55\text{ °C}$	4	1000/850				1120						
	3	1000/900 1000/860				1200 1130		1200 1130		1210		
	2	1000/880	1000/970	1000/910	1000/870	1210	1250	1210	1150	1250	1350	1250
	1											
	5											



Note: the values indicated in these tables have been extrapolated from test data and theoretical calculations. These tables are only intended as a guide and cannot replace industrial experience or a temperature rise test.

The values indicated for the cross-sectional area of the vents should be considered as general indications only given that the thermal performance of a switchboard with natural ventilation depends on many parameters, e.g. shape, porosity and location of vents and air flow within the switchboard.

Masterpact NW08-10 N/H/L (switchboard 2300 x 800 x 900) - area of outlet vents: 350 cm²

Type	NW08 N/H/L					NW10 N/H/L			
Switchboard composition									
Connection type									
Busbar dimensions (mm)	2b. 50 x 5					3b. 63 x 5 2b. 63 x 5			

Ventilated switchboard (→ IP31)		NW08					NW10				
	$T_a = 35\text{ °C}$	4									
		3									
		2		800	800	800	800			1000	1000
		1	800	800	800	800	800	1000	1000	1000	1000
	$T_a = 45\text{ °C}$	4									
		3									
		2		800	800	800	800			1000	1000
		1	800	800	800	800	800	1000	1000	1000	1000
	$T_a = 55\text{ °C}$	4									
		3									
		2		800	800	800	800			1000	1000
		1	800	800	800	800	800	1000	1000	1000	1000

(1) Area of outlet vents: 350 cm².
(2) Area of inlet vents: 350 cm².

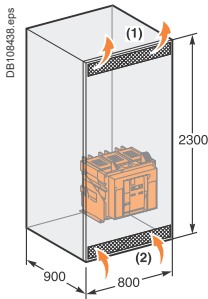
Non ventilated switchboard (→ IP54)		NW08					NW10				
	$T_a = 35\text{ °C}$	4									
		3									
		2		800	800	800	800			1000	1000
		1	800	800	800	800	800	1000	1000	1000	1000
	$T_a = 45\text{ °C}$	4									
		3									
		2		800	800	800	800			1000	1000
		1	800	800	800	800	800	1000	1000	1000	1000
	$T_a = 55\text{ °C}$	4									
		3									
		2		800	800	800	800			1000	1000
		1	800	800	800	800	800	1000	1000	1000	1000

Note: the values indicated in these tables have been extrapolated from test data and theoretical calculations. These tables are only intended as a guide and cannot replace industrial experience or a temperature rise test.
The values indicated for the cross-sectional area of the vents should be considered as general indications only given that the thermal performance of a switchboard with natural ventilation depends on many parameters, e.g. shape, porosity and location of vents and air flow within the switchboard.

Masterpact NW12-16 N/H/L (switchboard 2300 x 800 x 900) - area of outlet vents: 350 cm²

Type	NW12 N1	NW12 H/L	NW16 N1	NW16 H/L
Switchboard composition				
Connection type				
Busbar dimensions (mm)	3b. 63 x 5 3b. 50 x 5	3b. 63 x 5 3b. 50 x 5	3b. 80 x 5 3b. 63 x 5	3b. 80 x 5 3b. 63 x 5

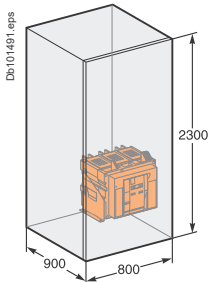
Ventilated switchboard (→ IP31)



Temperature (T _a)	Level	Module 1	Module 2	Module 3	Module 4	Module 5	Module 6	Module 7	Module 8	Module 9	Module 10	Module 11	Module 12
35 °C	4												
	3			1250						1250			
	2			1250	1250				1250	1250		1600	
	1	1250	1250	1250	1250		1250	1250	1250	1250	1550	1600	1600
45 °C	4												
	3			1250									
	2			1250	1250				1250	1250		1500	
	1	1250	1250	1250	1250		1250	1250	1250	1250	1470	1600	1600
55 °C	4												
	3			1250									
	2			1250	1250				1250	1250		1380	
	1	1250	1250	1250	1250		1250	1250	1250	1250	1380	1500	1500

- (1) Area of outlet vents: 350 cm².
- (2) Area of inlet vents: 350 cm².

Non ventilated switchboard (→ IP54)



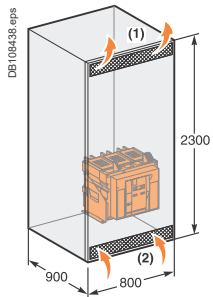
Temperature (T _a)	Level	Module 1	Module 2	Module 3	Module 4	Module 5	Module 6	Module 7	Module 8	Module 9	Module 10	Module 11	Module 12
35 °C	4												
	3			1240								1250	
	2			1250	1250						1425		1600
	1	1250	1250	1250	1250		1250	1250	1250	1250	1440	1550	1550
45 °C	4												
	3			1170								1250	
	2			1210	1210				1250	1250		1360	
	1	1200	1250	1250	1250		1250	1250	1250	1250	1360	1470	1470
55 °C	4												
	3			1100								1250	
	2			1140	1170				1250	1250		1280	
	1	1130	1200	1200	1200		1250	1250	1250	1250	1280	1380	1380

Note: the values indicated in these tables have been extrapolated from test data and theoretical calculations. These tables are only intended as a guide and cannot replace industrial experience or a temperature rise test.
The values indicated for the cross-sectional area of the vents should be considered as general indications only given that the thermal performance of a switchboard with natural ventilation depends on many parameters, e.g. shape, porosity and location of vents and air flow within the switchboard.

Masterpact NW20-40 N/H/L (switchboard 2300 x 800 x 900) - area of outlet vents: 350 cm²

Type	NW20 H1/H2/H3	NW20 L1	NW25 H1/2/3	NW32 H1/2/3	NW40 H1/2/3
Switchboard composition					
Connection type					
Busbar dimensions (mm)	3b. 100 x 5	3b. 100 x 5	4b. 100 x 5	3b. 100 x 10	4b. 100 x 10

Ventilated switchboard (→ IP31)

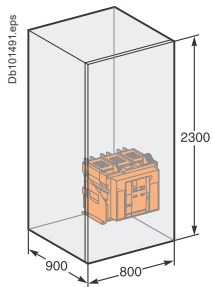


$T_a = 35\text{ °C}$	4												
	3		2000				1830						
	2	2000	2000	2000	2000	2000	2000	2375	2500	3040	3200	3320	3700
	1												
$T_a = 45\text{ °C}$	4												
	3		2000				1750						
	2	2000	2000	2000	1810	1960	1920	2250	2380	2880	3100	3160	3500
	1												
$T_a = 55\text{ °C}$	4												
	3		2000				1640						
	2	2000	2000	2000	1700	1850	1800	2100	2250	2690	2900	2960	3280
	1												

(1) Area of outlet vents: 350 cm².

(2) Area of inlet vents: 350 cm².

Non ventilated switchboard (→ IP54)

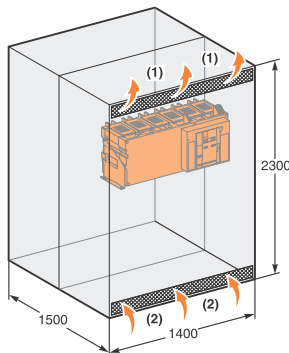
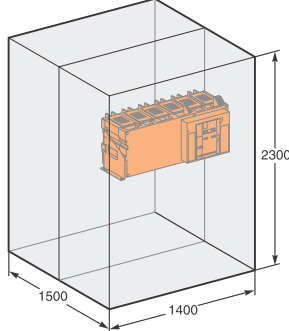


$T_a = 35\text{ °C}$	4												
	3		2000				1750						
	2	2000	2000	2000	1800	1900	1890	2125	2275	2650	2850	3040	3320
	1												
$T_a = 45\text{ °C}$	4												
	3		1900				1660						
	2	1900	1960	1960	1680	1810	1800	2000	2150	2550	2700	2880	3120
	1												
$T_a = 55\text{ °C}$	4												
	3		1780				1550						
	2	1800	1920	1920	1590	1700	1700	1900	2020	2370	2530	2720	2960
	1												

Note: the values indicated in these tables have been extrapolated from test data and theoretical calculations. These tables are only intended as a guide and cannot replace industrial experience or a temperature rise test.

The values indicated for the cross-sectional area of the vents should be considered as general indications only given that the thermal performance of a switchboard with natural ventilation depends on many parameters, e.g. shape, porosity and location of vents and air flow within the switchboard.

Masterpact NW40b-63 H1/H2 (switchboard 2300 x 1400 x 1500) - area of outlet vents: 500 cm²

Type	NW40b H1/H2	NW50 H1/H2	NW63 H1/H2																						
Switchboard composition																									
Connection type																									
Busbar dimensions (mm)	5b. 100 x 10	7b. 100 x 10	8b. 100 x 10																						
Ventilated switchboard (→ IP31)																									
	<table border="1"> <tr><td>4</td><td></td><td></td><td></td><td></td></tr> <tr><td>3</td><td></td><td></td><td></td><td></td></tr> <tr><td>2</td><td>4000</td><td>4000</td><td>4700</td><td>5000</td><td>5850</td></tr> <tr><td>1</td><td></td><td></td><td></td><td></td><td></td></tr> </table>			4					3					2	4000	4000	4700	5000	5850	1					
4																									
3																									
2	4000	4000	4700	5000	5850																				
1																									
	<table border="1"> <tr><td>4</td><td></td><td></td><td></td><td></td></tr> <tr><td>3</td><td></td><td></td><td></td><td></td></tr> <tr><td>2</td><td>4000</td><td>4000</td><td>4450</td><td>4850</td><td>5670</td></tr> <tr><td>1</td><td></td><td></td><td></td><td></td><td></td></tr> </table>			4					3					2	4000	4000	4450	4850	5670	1					
4																									
3																									
2	4000	4000	4450	4850	5670																				
1																									
	<table border="1"> <tr><td>4</td><td></td><td></td><td></td><td></td></tr> <tr><td>3</td><td></td><td></td><td></td><td></td></tr> <tr><td>2</td><td>4000</td><td>4000</td><td>4200</td><td>4600</td><td>5350</td></tr> <tr><td>1</td><td></td><td></td><td></td><td></td><td></td></tr> </table>			4					3					2	4000	4000	4200	4600	5350	1					
4																									
3																									
2	4000	4000	4200	4600	5350																				
1																									
	<p><i>T_a = 35 °C</i></p> <p><i>T_a = 45 °C</i></p> <p><i>T_a = 55 °C</i></p>																								
	<p>(1) Area of outlet vents: 500 cm². (2) Area of inlet vents: 500 cm².</p>																								
Non ventilated switchboard (→ IP54)																									
	<table border="1"> <tr><td>4</td><td></td><td></td><td></td><td></td></tr> <tr><td>3</td><td></td><td></td><td></td><td></td></tr> <tr><td>2</td><td>4000</td><td>4000</td><td>4350</td><td>4650</td><td>5290</td></tr> <tr><td>1</td><td></td><td></td><td></td><td></td><td></td></tr> </table>			4					3					2	4000	4000	4350	4650	5290	1					
4																									
3																									
2	4000	4000	4350	4650	5290																				
1																									
	<table border="1"> <tr><td>4</td><td></td><td></td><td></td><td></td></tr> <tr><td>3</td><td></td><td></td><td></td><td></td></tr> <tr><td>2</td><td>4000</td><td>4000</td><td>4100</td><td>4400</td><td>5040</td></tr> <tr><td>1</td><td></td><td></td><td></td><td></td><td></td></tr> </table>			4					3					2	4000	4000	4100	4400	5040	1					
4																									
3																									
2	4000	4000	4100	4400	5040																				
1																									
	<table border="1"> <tr><td>4</td><td></td><td></td><td></td><td></td></tr> <tr><td>3</td><td></td><td></td><td></td><td></td></tr> <tr><td>2</td><td>3840</td><td>3840</td><td>3850</td><td>4150</td><td>4730</td></tr> <tr><td>1</td><td></td><td></td><td></td><td></td><td></td></tr> </table>			4					3					2	3840	3840	3850	4150	4730	1					
4																									
3																									
2	3840	3840	3850	4150	4730																				
1																									
	<p><i>T_a = 35 °C</i></p> <p><i>T_a = 45 °C</i></p> <p><i>T_a = 55 °C</i></p>																								

Note: the values indicated in these tables have been extrapolated from test data and theoretical calculations. These tables are only intended as a guide and cannot replace industrial experience or a temperature rise test.

The values indicated for the cross-sectional area of the vents should be considered as general indications only given that the thermal performance of a switchboard with natural ventilation depends on many parameters, e.g. shape, porosity and location of vents and air flow within the switchboard.

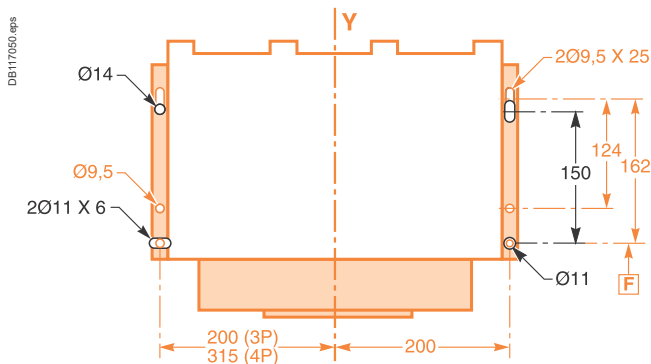
It is possible to replace a **Masterpact (M08 to M32)** with a new **Masterpact (NW08 to NW32)** with the same power rating.

Substitution is possible for the following types of circuit breakers:

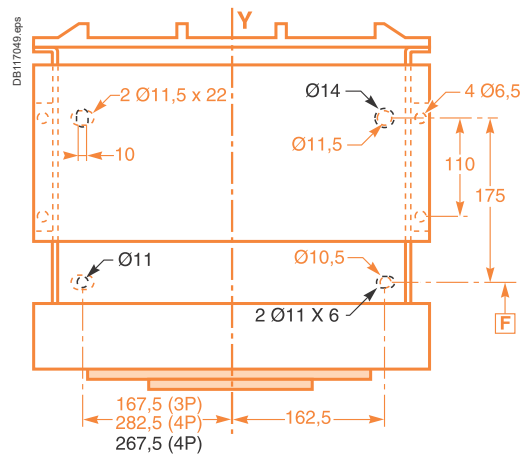
- N1, H1, H2 for both fixed and drawout versions
- L1 for drawout versions up to 2000 A.

Mounting diagram

Fixed version



Drawout version



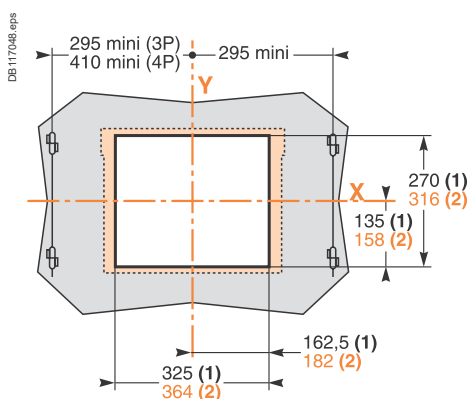
— : Masterpact NW
— : Masterpact M

Fixing points are identical for Masterpact (M08 to M32) and Masterpact (NW08 to NW32), except for the four-pole chassis.

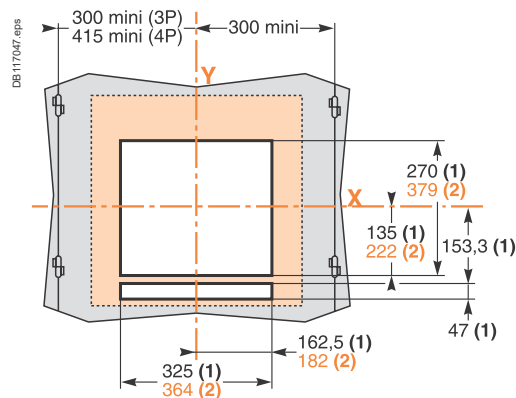
Door cut-out

- Without an escutcheon, the cut-out is identical (270 x 325 mm).
- With the former escutcheon, the cut-out is identical (270 x 325 mm).
- With the new escutcheon, the cut-out is different.

Fixed version



Drawout version



Power connection

Select a set of retrofit connectors to replace the standard connectors and avoid any modifications to the busbars (see the retrofit section in "orders and quotations").

Note:

- (1) Without escutcheon.
- (2) With escutcheon.

References X and Y represent the symmetry planes for three-pole devices.

Control wiring

Wiring of voltage releases

During pick-up, the power consumed is approximately 150 to 200 VA. For low control voltages (12, 24, 48 V), maximum cable lengths are imposed by the voltage and the cross-sectional area of cables.

Recommended maximum cable lengths (meter).

		12 V		24 V		48 V	
		2.5 mm ²	1.5 mm ²	2.5 mm ²	1.5 mm ²	2.5 mm ²	1.5 mm ²
MN	U source 100 %	–	–	58	35	280	165
	U source 85 %	–	–	16	10	75	45
MX-XF	U source 100 %	21	12	115	70	550	330
	U source 85 %	10	6	75	44	350	210

Note: the indicated length is that of each of the two wires.

24 V DC power-supply module

External 24 V DC power-supply module for Micrologic (F1-, F2+)

- It is recommended to use the AD power supply due to its low stray primary-secondary capacitance. Good operation of the Micrologic Trip Unit in noisy environment is not guaranteed with other power supplies.
- The dedicated AD power supplies shall be used only for the Micrologic trip units. If the COM option is used, a second dedicated power supply shall be used.
- M2C and M6C modules can be supplied by Micrologic external AD power supply.
- The consumption of a Micrologic Trip Unit is approximately 100mA.
- The consumption of M2C and M6C modules is approximately 100mA.
- A number of 5 devices (Micrologic control units with M2C or M6C) can be connected to the same AD power supply. Add other AD power supply for more than 5 devices.
- For Micrologics control units alone, a number of 10 devices can be connected to the same AD power supply. Add other AD power supply for more than 10 Micrologics.
- If the installation is shared between several panels, one AD power supply shall be added for each panel.
- AD power supply dedicated to Micrologics trip units shall not be connected to earth. (F1-, F2+).

External 24 V DC power supply for Communication bus

- A dedicated 24 V DC power supply shall be used for the communication devices.
- Do not connect the positive terminal (E1) to earth.
- The negative terminal (E2) can be connected to earth.
- A number of communication modules (BCM, IFE, IFM, I/O, FDM...) can be connected to the same 24 V DC power supply. Refer below the devices consumption table to avoid exceeding the maximum current delivered by the 24 V DC power supply.

ULP module consumption

The table below lists the ULP module consumption.

Module	Typical Consumption (24 V DC at 20 °C / 68 °F)	Maximum Consumption (19.2 V DC at 60 °C / 140 °F)
BCM ULP for Masterpact and Compact NS	40 mA	65 mA
Micrologic 5 or 6 trip unit for Compact NSX circuit breakers	30 mA	55 mA
BSCM for Compact NSX circuit breakers	9 mA	15 mA
2-wire RS 485 isolated repeater	15 mA	19 mA
FDM121 display for LV circuit breaker	21 mA	30 mA
IFM Modbus-SL interface for LV circuit breaker	21 mA	30 mA
IFE Ethernet interface for LV circuit breaker	120 mA	3 A (with gateway)
I/O input/output interface module for LV circuit breaker	165 mA	420 mA
Maintenance module	0 mA (the maintenance module has its own power supply)	0 mA (the maintenance module has its own power supply)

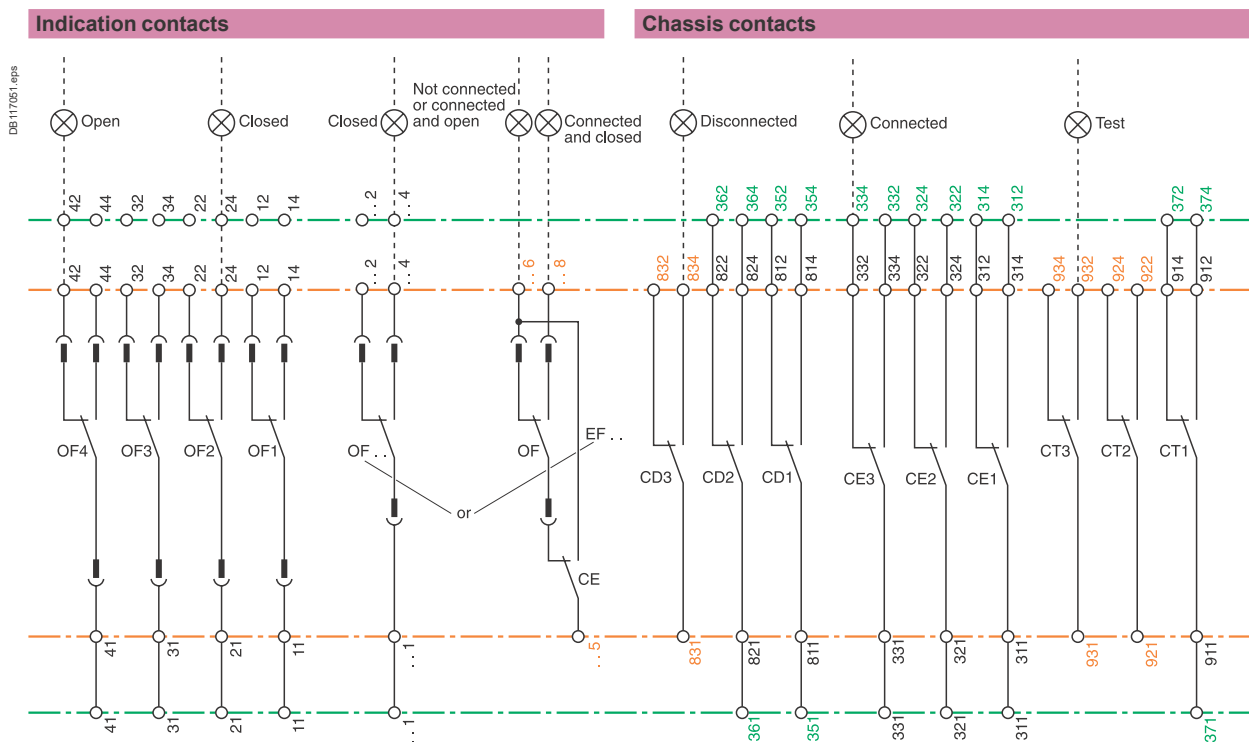
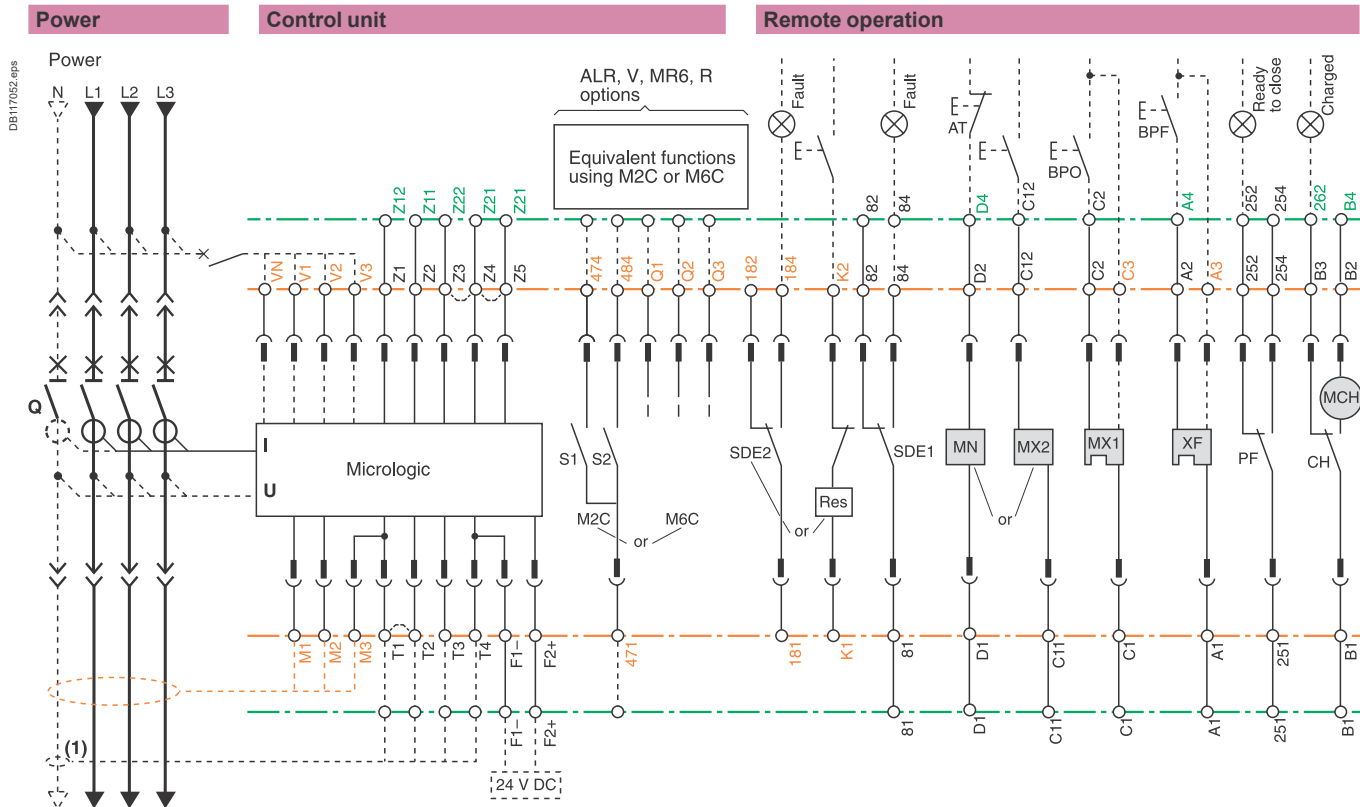
Installation recommendation

- The 24 V DC wires (output of the 24 V DC power supply) shall be twist together.
- The 24 V DC wires (output of the 24 V DC power supply) must cross all power cables perpendicularly.
- The technical characteristics of the external 24 V DC power-supply module for Micrologic control units are indicated on [page A-28](#).

Note: wiring of ZSI: it is recommended to use twisted shielded cable. The shield must be connected to earth at both ends.

Masterpact M Retrofitting: electrical diagrams

Correspondences between Masterpact NW and Masterpact M terminal blocks.



Identical to Masterpact M.

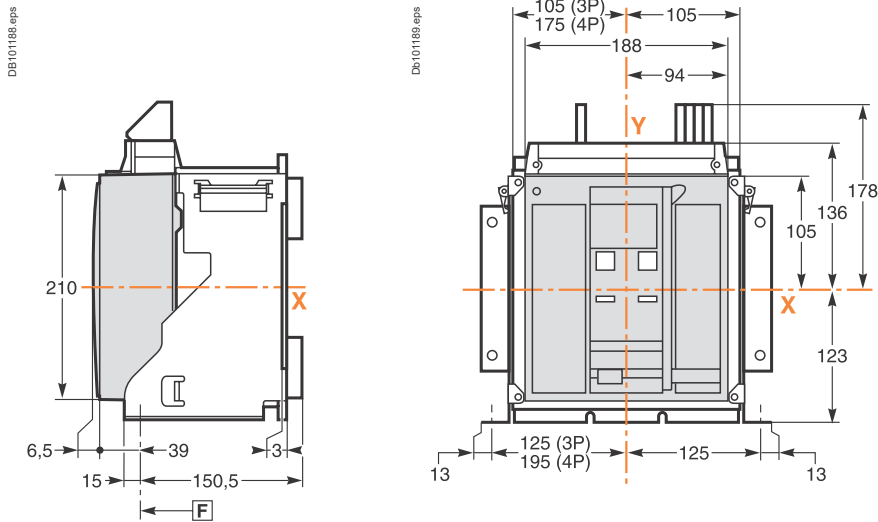
Different than Masterpact M.

New or additional functions.

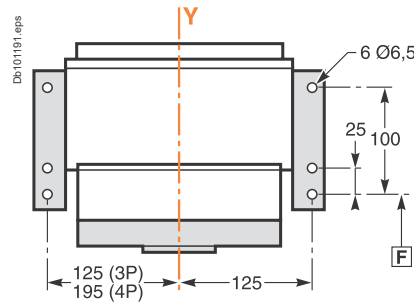
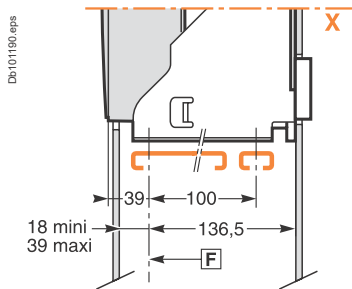
(1) The current transformer for the external neutral must be replaced.

<i>Presentation</i>	2
<i>Functions and characteristics</i>	A-1
<i>Installation recommendations</i>	B-1
NT06 to NT16 circuit breakers	
Fixed 3/4-poles device	C-2
Drawout 3/4-poles device	C-6
NW08 to NW32 circuit breakers	
Fixed 3/4-poles device	C-10
Drawout 3/4-poles device	C-12
NW40 circuit breakers	
Fixed 3/4-poles device	C-14
Drawout 3/4-poles device	C-16
NW40b to NW63 circuit breakers	
Fixed 3/4-poles device	C-18
Drawout 3/4-poles device	C-20
NT/NW accessories	C-22
NT/NW external modules	C-24
FDM121 switchboard display	C-29
FDM128 switchboard display	C-30
<i>Electrical diagrams</i>	D-1
<i>Additional characteristics</i>	E-1
<i>Catalogue numbers and order form</i>	F-1

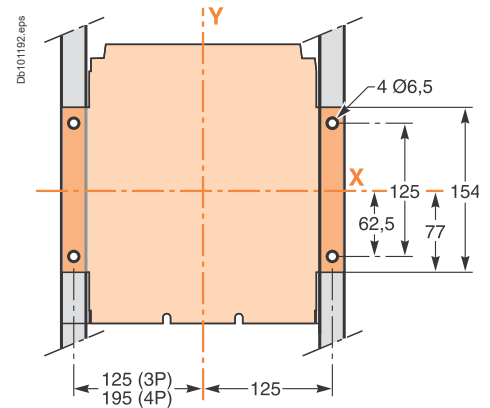
Dimensions



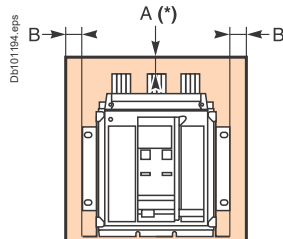
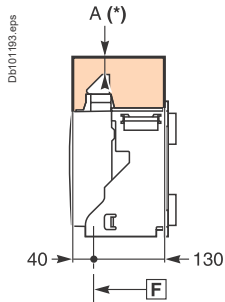
Bottom mounting (on base plate or rails)



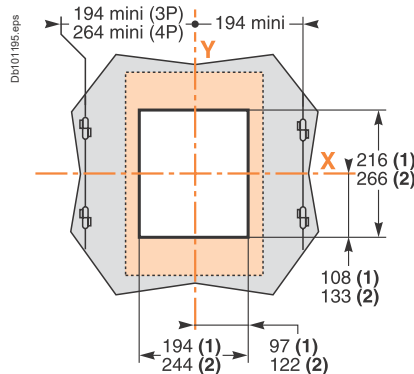
Rear mounting detail (on upright or backplate)



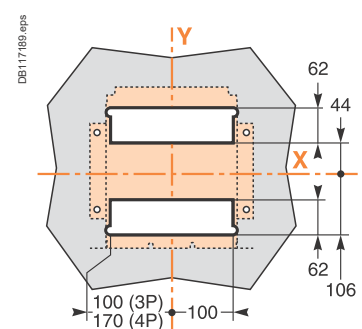
Safety clearances



Door cutout



Rear panel cutout



For voltages < 690 V

	Parts Insulated	Metal	Energised
A	0	0	100
B	0	0	60

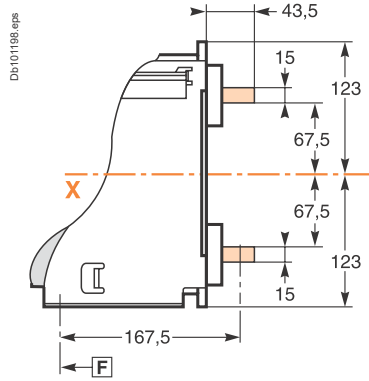
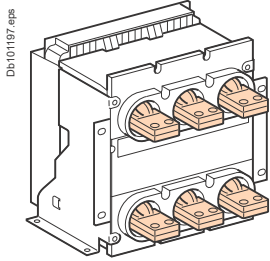
F : datum.

(1) Without escutcheon.
(2) With escutcheon.

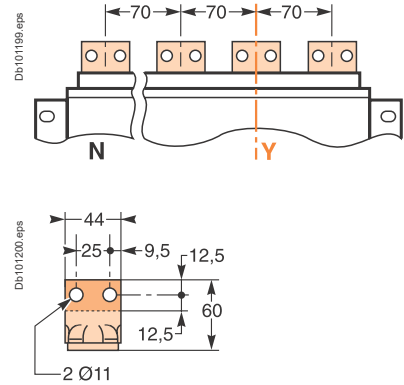
Note: X and Y are the symmetry planes for a 3-pole device.
A(*) An overhead clearance of 50 mm is required to remove the arc chutes.
An overhead clearance of 20 mm is required to remove the terminal block.

Connections

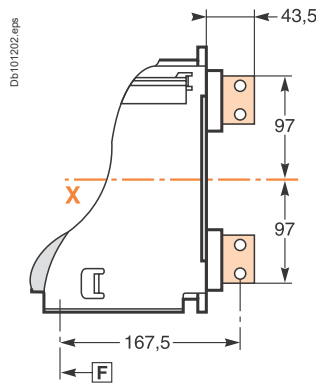
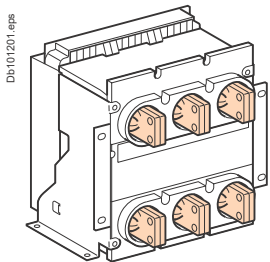
Horizontal rear connection



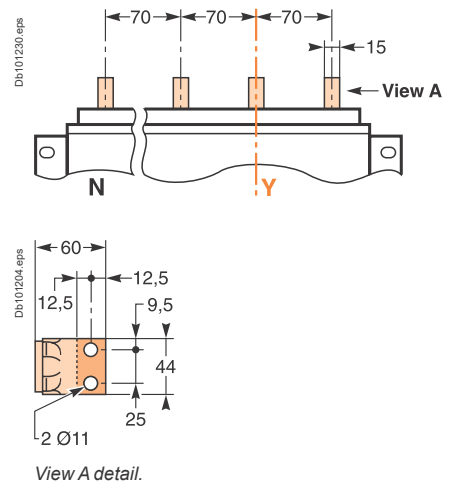
Detail



Vertical rear connection

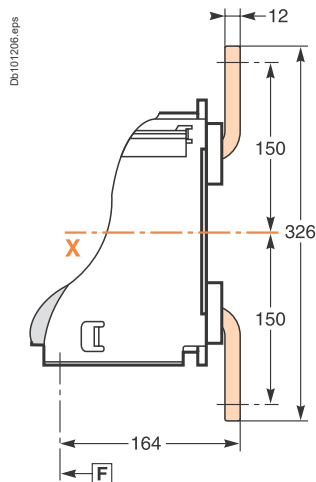
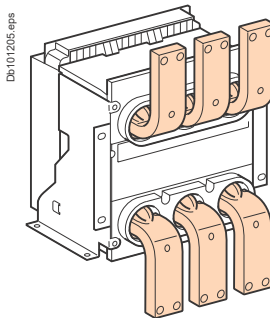


Detail

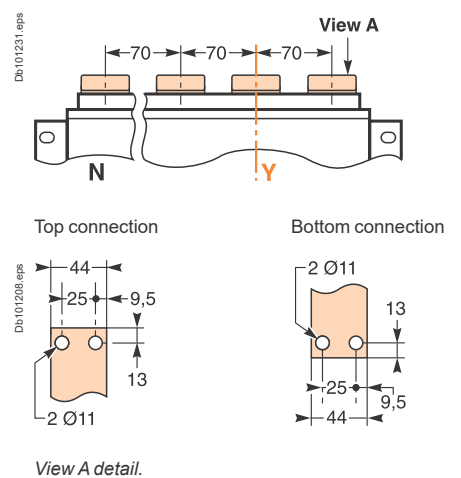


View A detail.

Front connection



Detail



Top connection

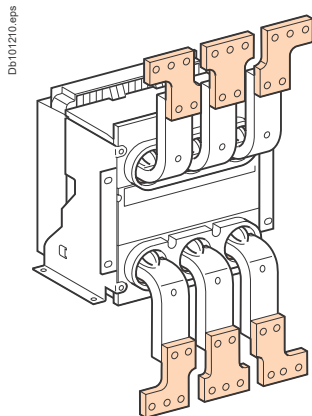
Bottom connection

View A detail.

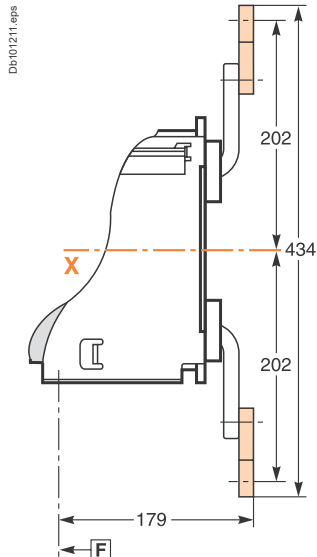
Note: recommended connection screws: **M10** class 8.8.
Tightening torque: **50 Nm** with contact washer.

Connections

Front connection with spreaders

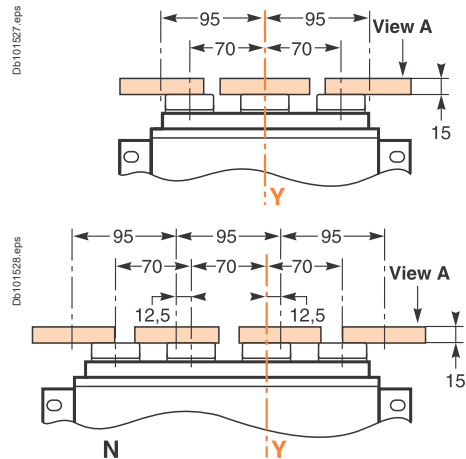


Db101210.eps



Db101211.eps

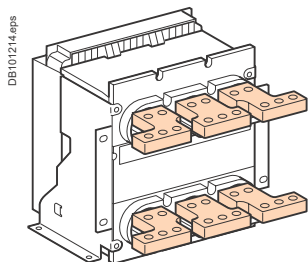
Detail



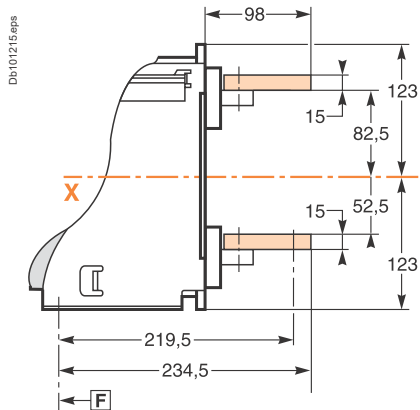
Db101527.eps

Db101528.eps

Rear connection with spreaders

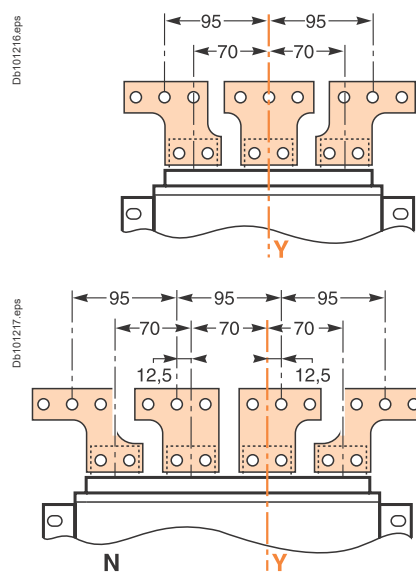


Db101214.eps



Db101215.eps

Detail

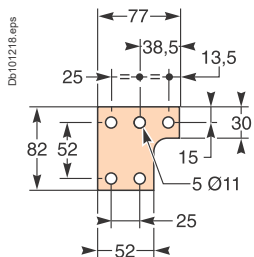


Db101216.eps

Db101217.eps

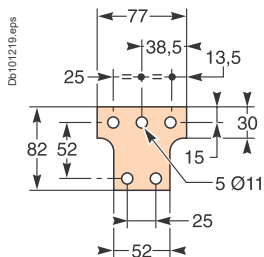
Spreader detail

Middle left or middle right spreader for 4P.



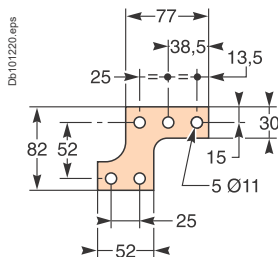
Db101218.eps

Middle spreader for 3P.



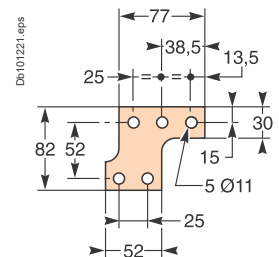
Db101219.eps

Left or right spreader for 4P.



Db101220.eps

Left or right spreader for 3P.



Db101221.eps

View A detail.

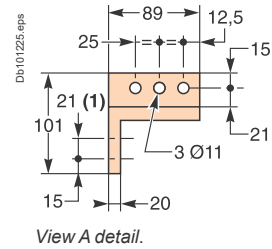
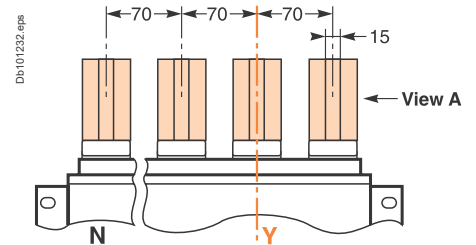
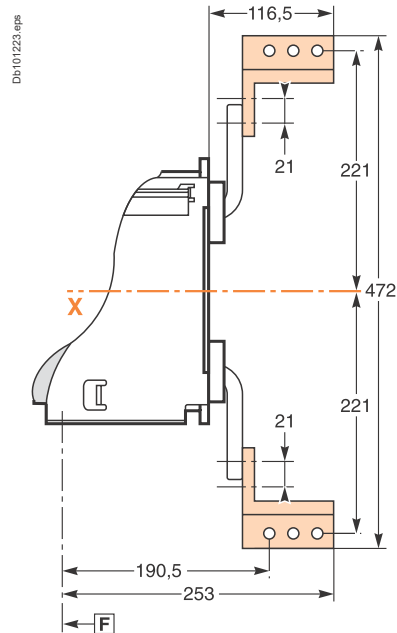
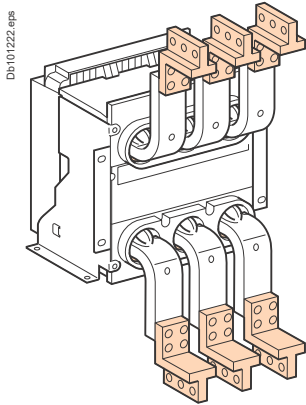
F : datum.

Note: X and Y are the symmetry planes for a 3-pole device.

Connections

Front connection via vertical connection adapters

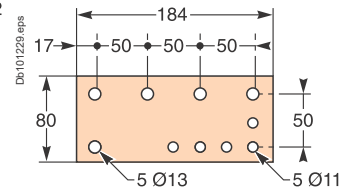
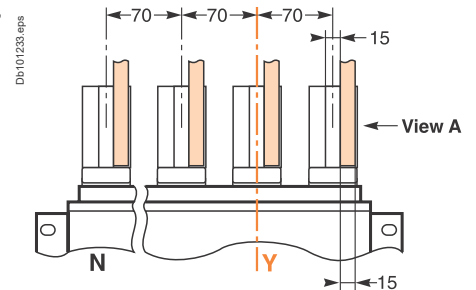
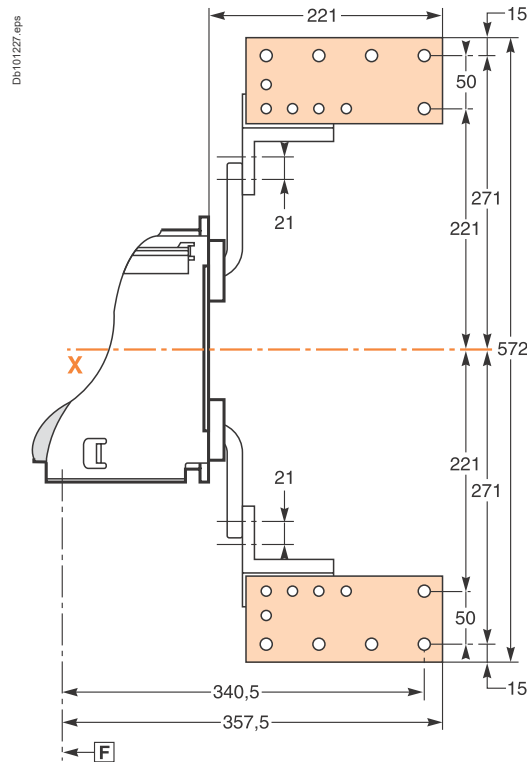
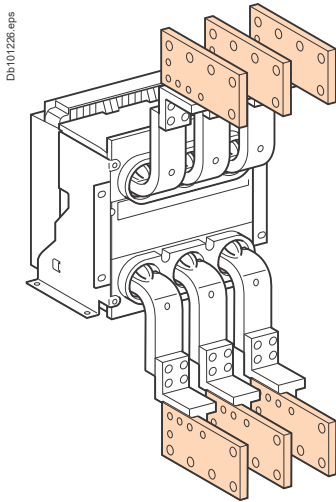
Detail



View A detail.

Front connection via vertical connection adapters fitted with cable-lug adapters

Detail

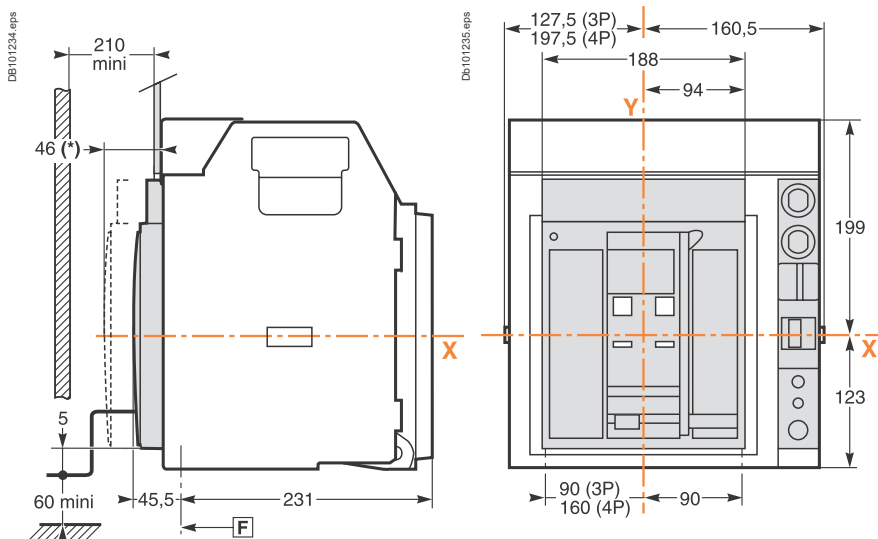


View A detail.

Note: recommended connection screws: **M10** class 8.8.
Tightening torque: **50 Nm** with contact washer.

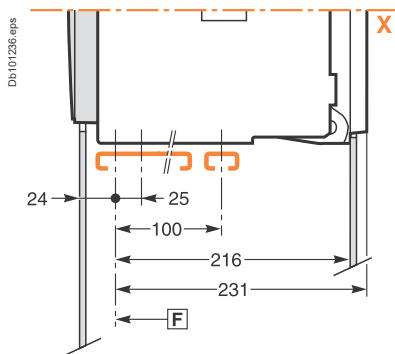
(1) 2 connection possibilities on vertical connection adapters (21 mm between centres).

Dimensions

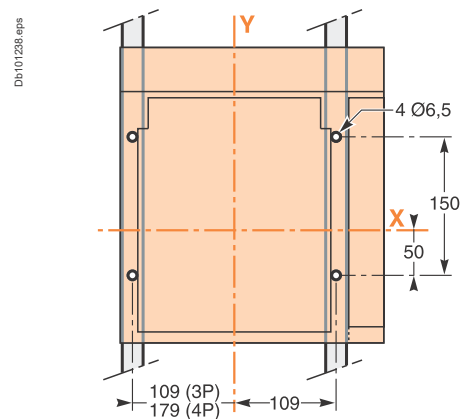
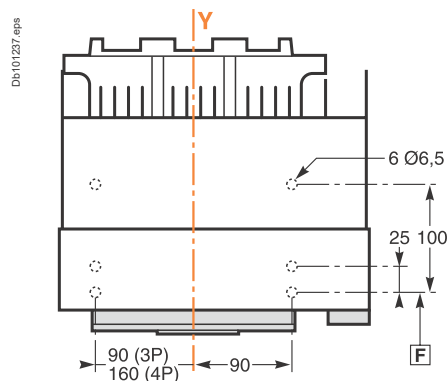


(*) Disconnected position.

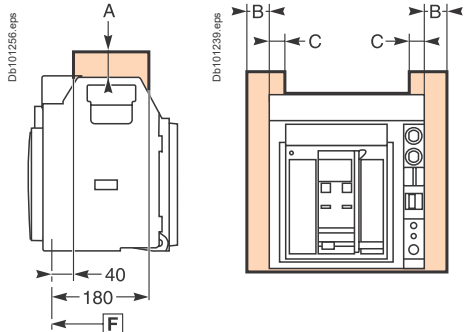
Bottom mounting (on base plate or rails)



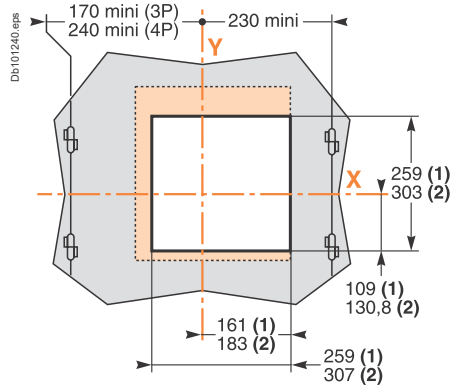
Rear mounting detail (on upright or backplate)



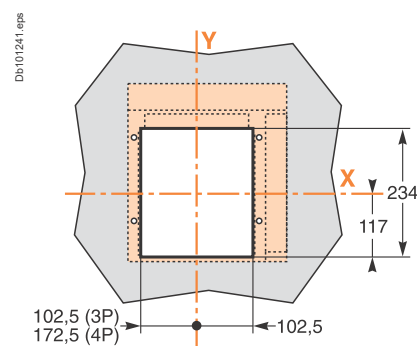
Safety clearances



Door cutout



Rear panel cutout



For voltages ≤ 690 V

	Parts		
	Insulated	Metal	Energised
A	0	0	30
B	10	10	60
C	0	0	30

F : datum.

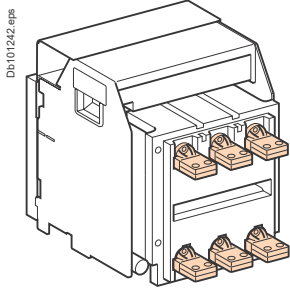
(1) Without escutcheon.

(2) With escutcheon.

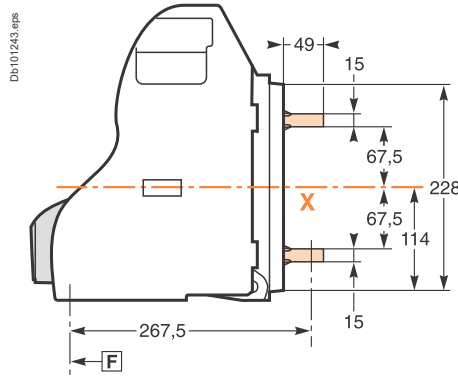
Note: X and Y are the symmetry planes for a 3-pole device.

Connections

Horizontal rear connection

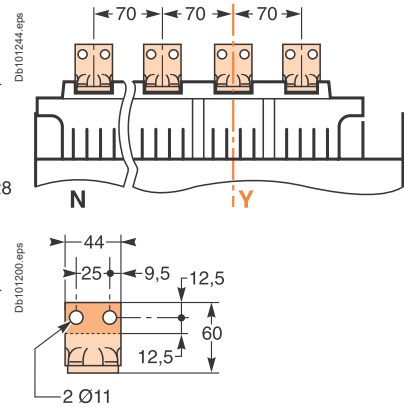


Db101242.eps



Db101243.eps

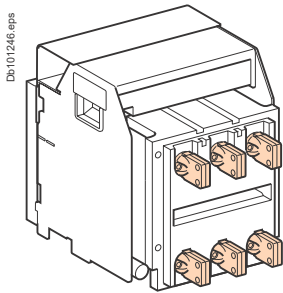
Detail



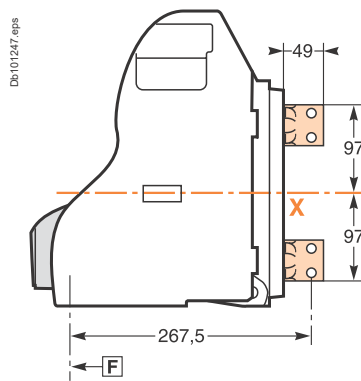
Db101244.eps

Db101200.eps

Vertical rear connection

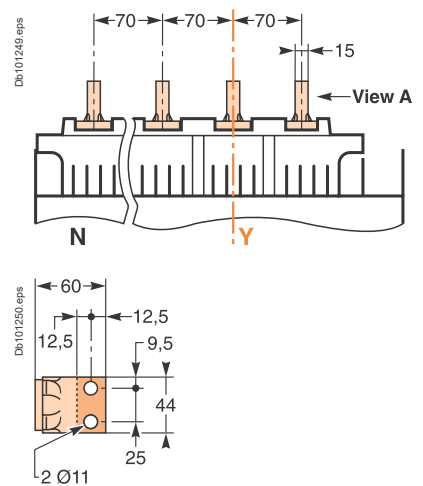


Db101246.eps



Db101247.eps

Detail

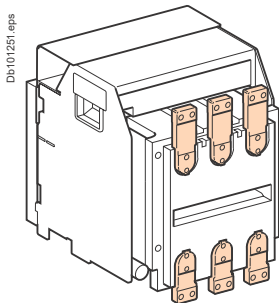


Db101249.eps

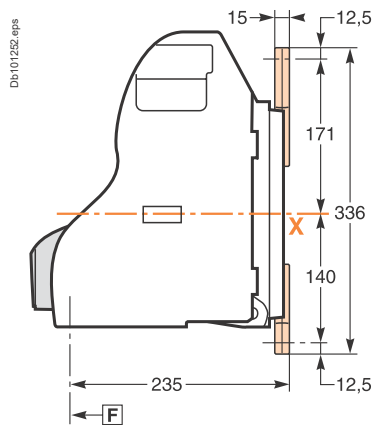
Db101250.eps

View A detail.

Front connection

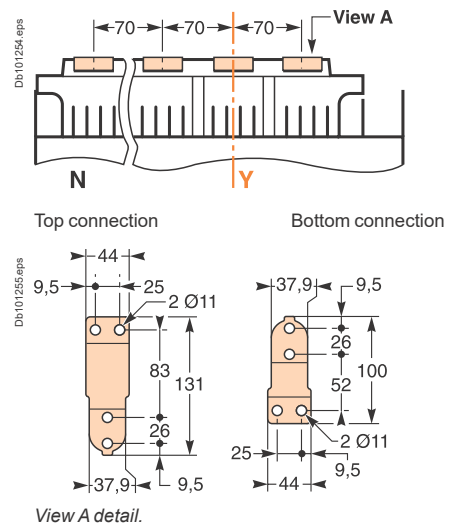


Db101251.eps



Db101252.eps

Detail



Db101254.eps

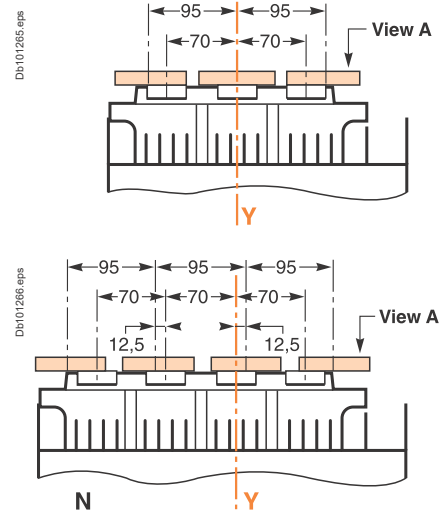
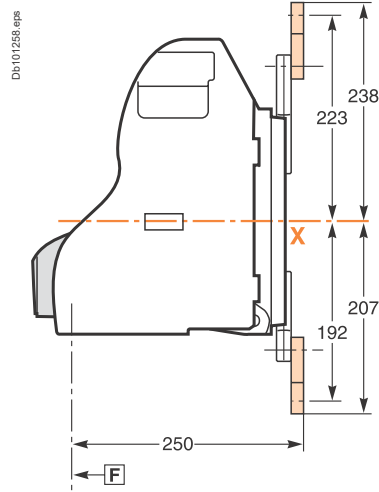
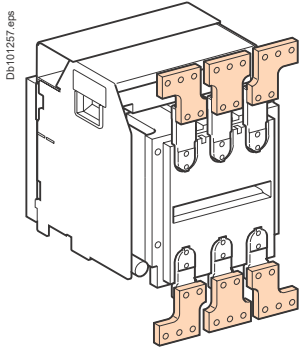
Db101255.eps

View A detail.

Note: recommended connection screws: **M10** class 8.8.
Tightening torque: **50 Nm** with contact washer.

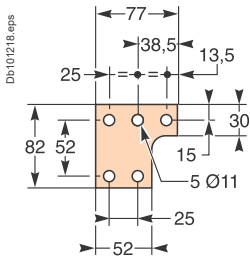
Connections

Front connection with spreaders

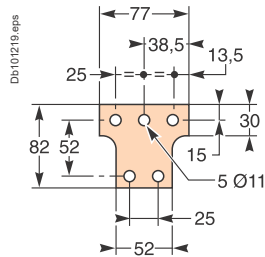


Spreader detail

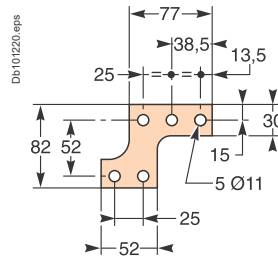
Middle left or middle right spreader for 4P.



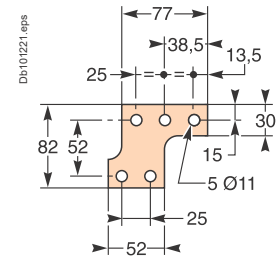
Middle spreader for 3P.



Left or right spreader for 4P.



Left or right spreader for 3P.

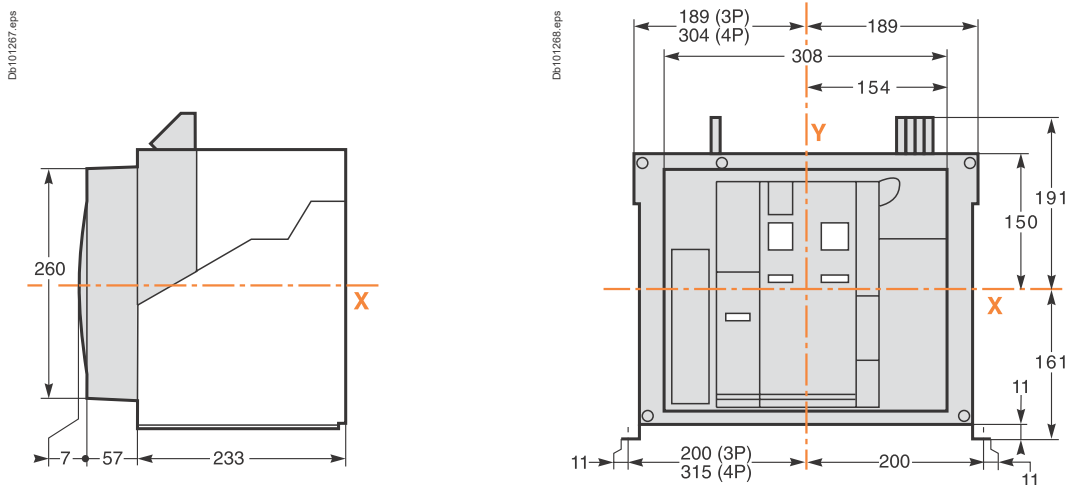


View A detail.

F : datum.

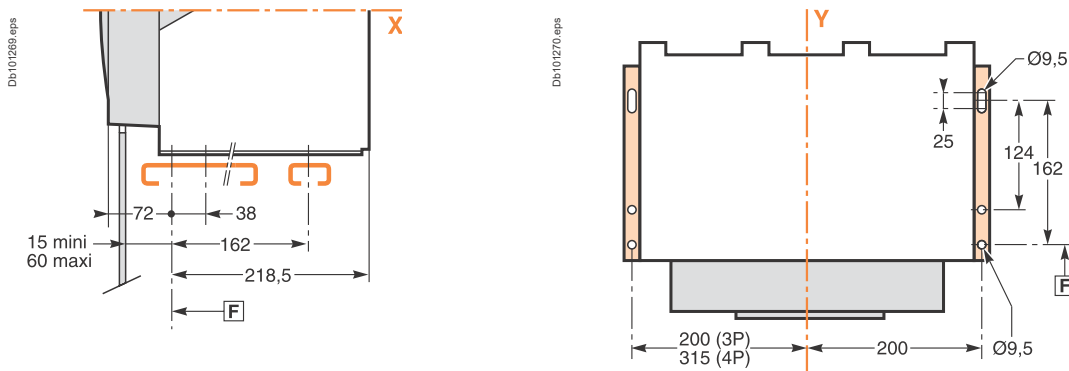
Note: X and Y are the symmetry planes for a 3-pole device.

Dimensions



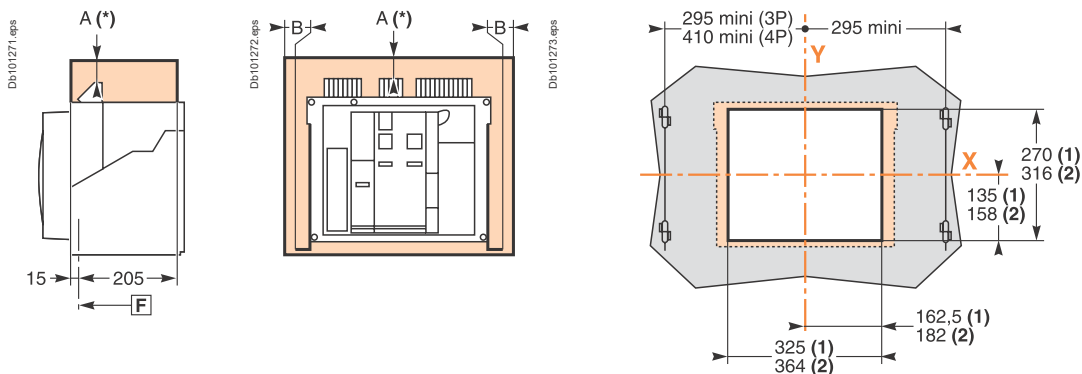
Mounting on base plate or rails

Mounting detail



Safety clearances

Door cutout



	Insulated parts	Metal parts	Energised parts
A	0	0	100
B	0	0	60

(1) Without escutcheon.

(2) With escutcheon.

Note: X and Y are the symmetry planes for a 3-pole device.

A(*) An overhead clearance of 50 mm is required to remove the arc chutes.

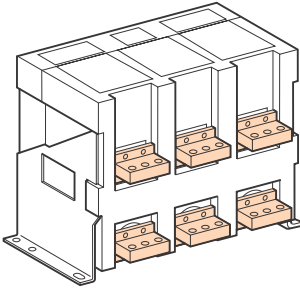
An overhead clearance of 20 mm is required to remove the terminal block.

F : datum.

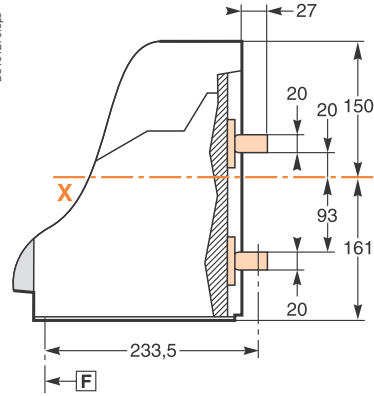
Connections

Horizontal rear connection

Db:101274.eps

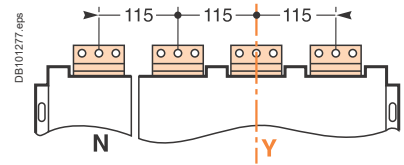


Db:101276.eps

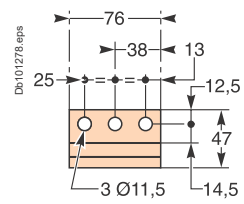


Detail

Db:101277.eps

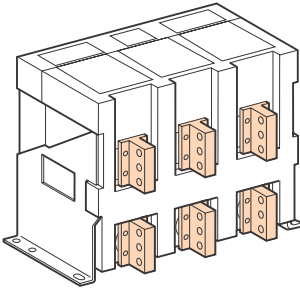


Db:101278.eps

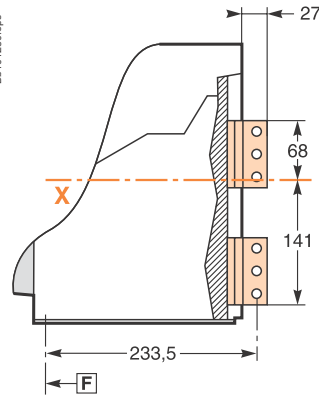


Vertical rear connection

Db:101279.eps

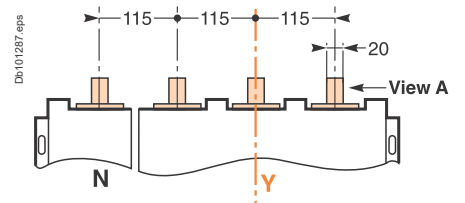


Db:101280.eps

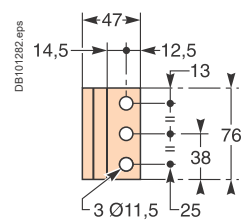


Detail

Db:101281.eps



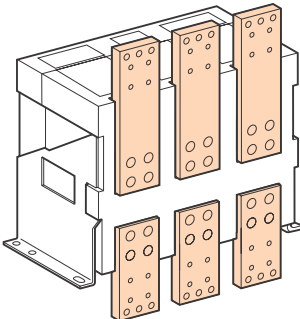
Db:101282.eps



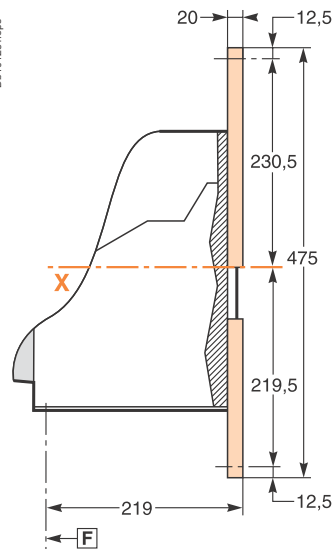
View A detail.

Front connection

Db:101283.eps

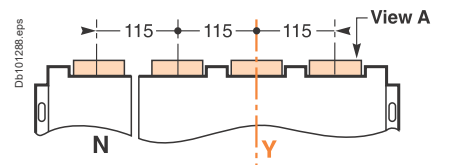


Db:101284.eps



Detail

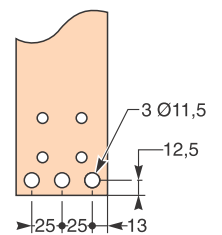
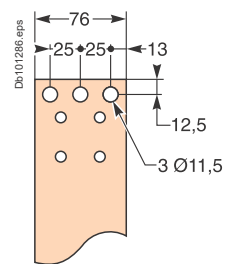
Db:101285.eps



Top connection

Bottom connection

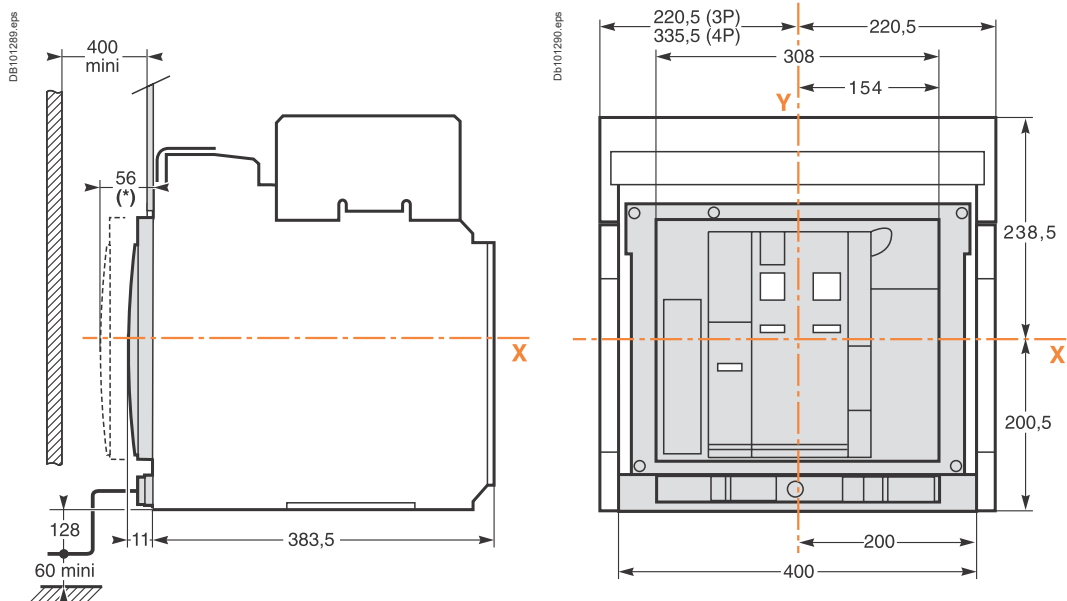
Db:101286.eps



View A detail.

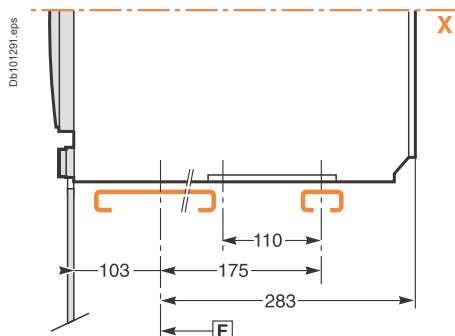
Note: recommended connection screws: **M10** class 8.8.
Tightening torque: **50 Nm** with contact washer.

Dimensions

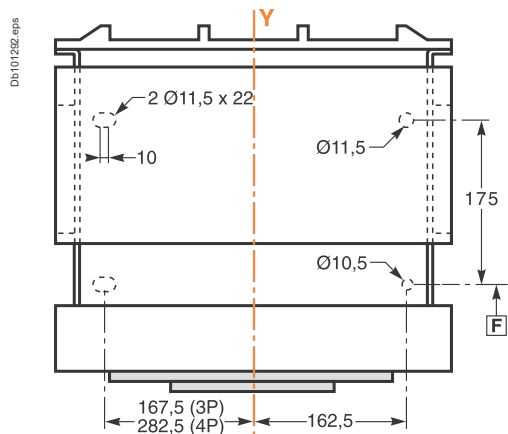


(*) Disconnected position.

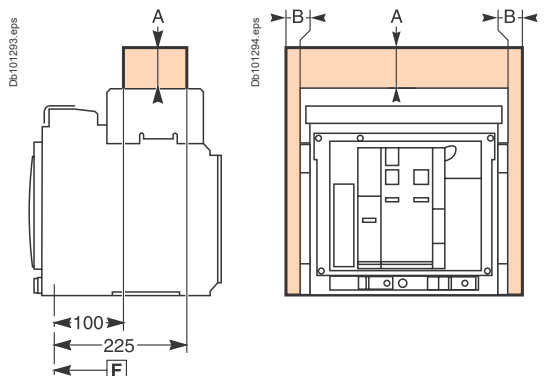
Mounting on base plate or rails



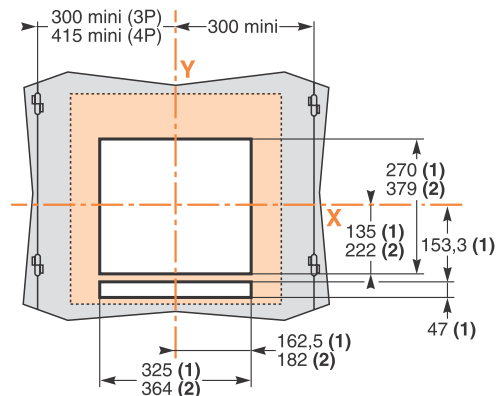
Mounting detail



Safety clearances



Door cutout



	Insulated parts	Metal parts	Energised parts
A	0	0	0
B	0	0	60

(1) Without escutcheon.

(2) With escutcheon.

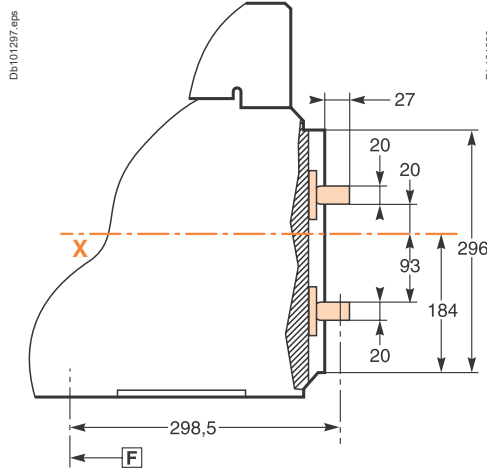
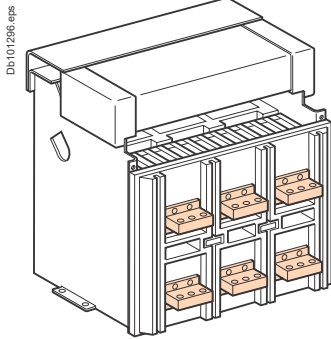
The safety clearances take into account the space required to remove the arc chutes.

Note: X and Y are the symmetry planes for a 3-pole device.

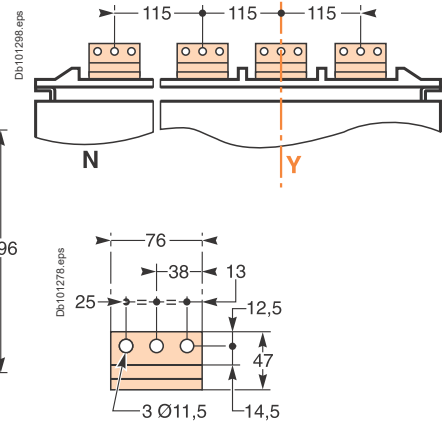
F : datum.

Connections

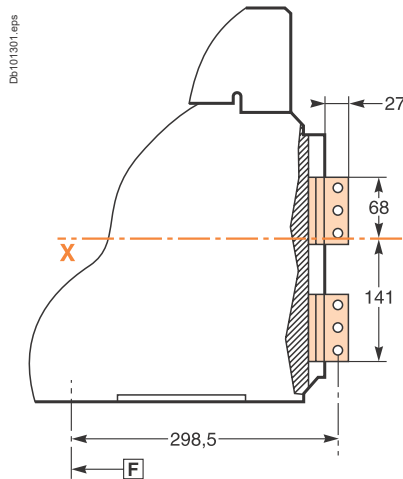
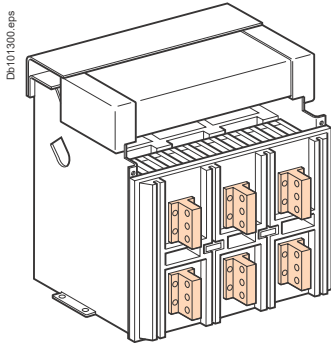
Horizontal rear connection



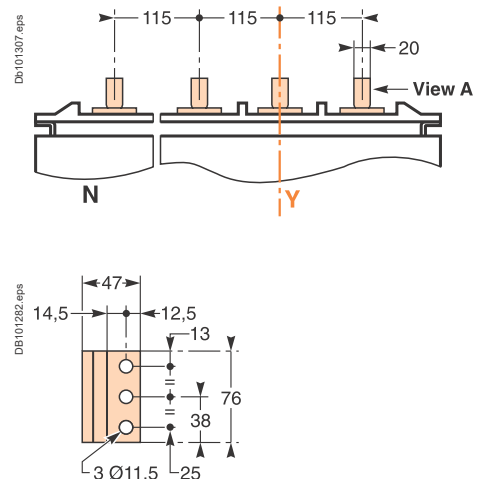
Detail



Vertical rear connection

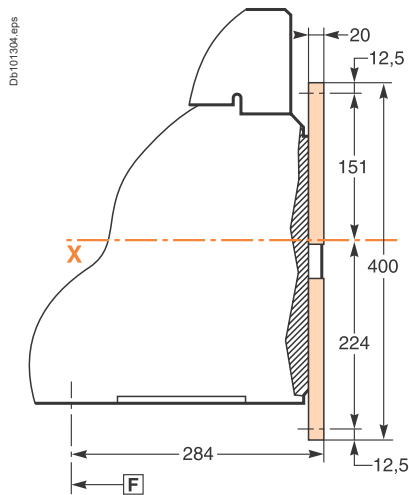
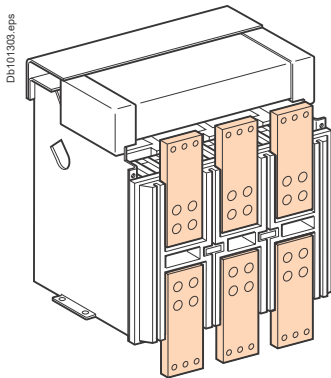


Detail

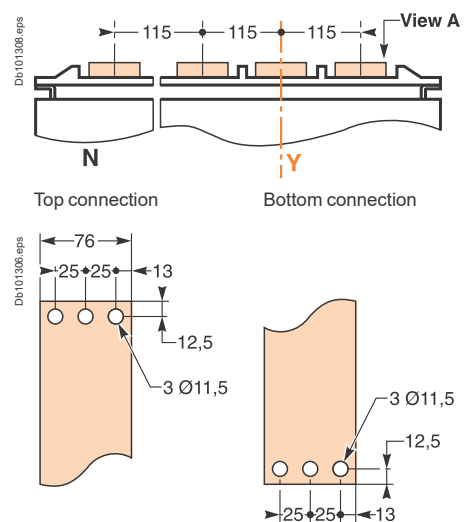


View A detail.

Front connection



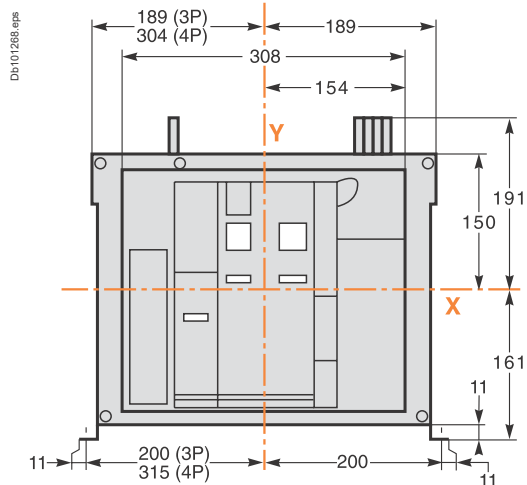
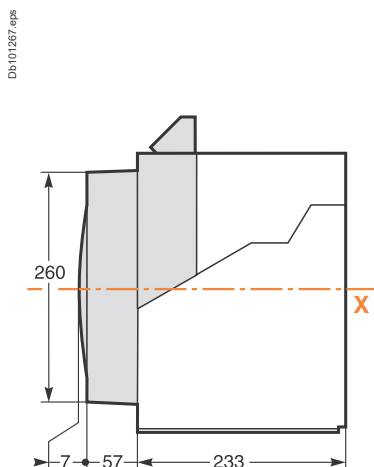
Detail



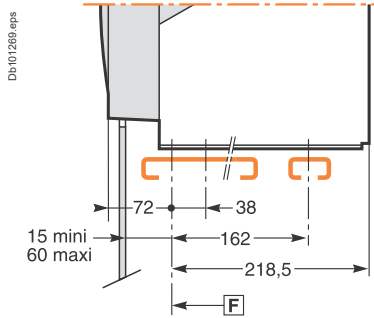
View A detail.

Note: recommended connection screws: **M10** class 8.8.
Tightening torque: **50 Nm** with contact washer.

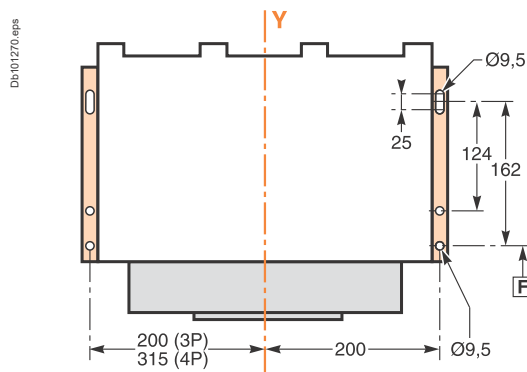
Dimensions



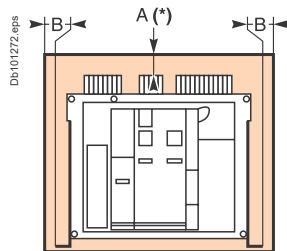
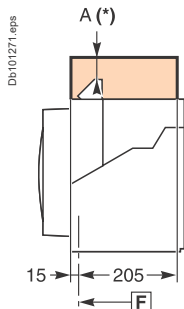
Mounting on base plate or rails



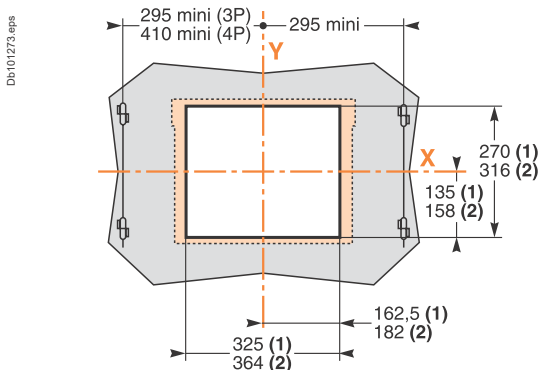
Mounting detail



Safety clearances



Door cutout



	Insulated parts	Metal parts	Energised parts
A	0	0	100
B	0	0	60

F: datum.

(1) Without escutcheon.

(2) With escutcheon.

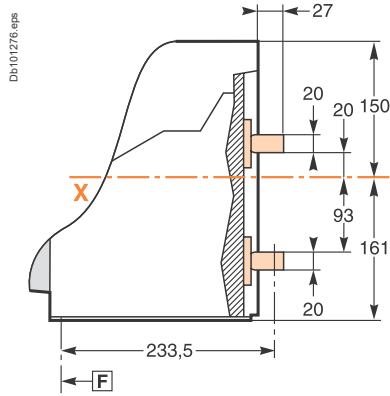
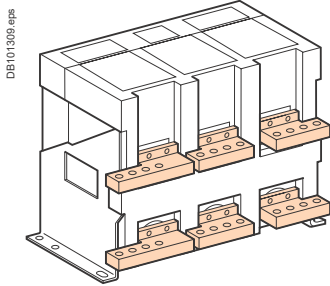
Note: X and Y are the symmetry planes for a 3-pole device.

A(*) An overhead clearance of 110 mm is required to remove the arc chutes.

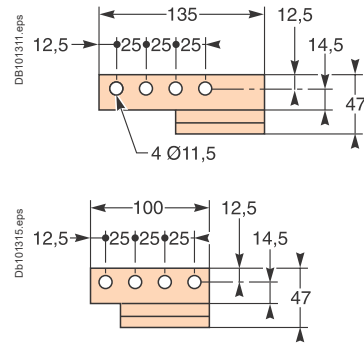
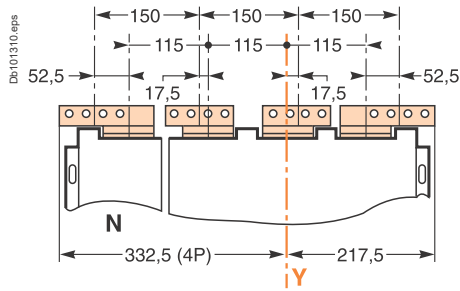
An overhead clearance of 20 mm is required to remove the terminal block.

Connections

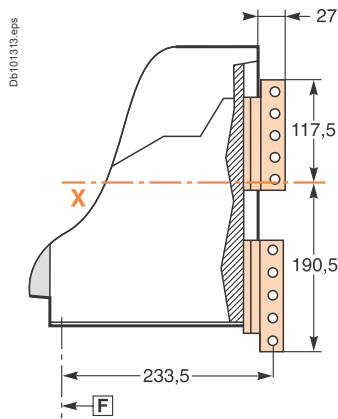
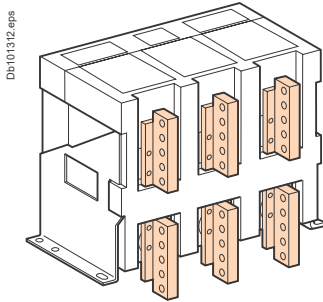
Horizontal rear connection



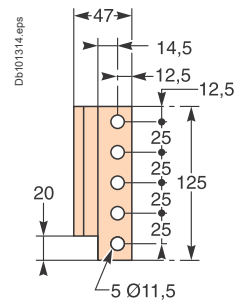
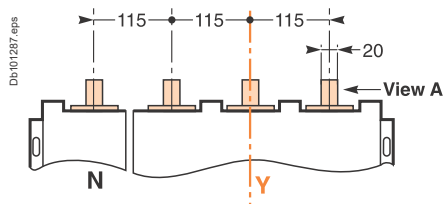
Detail



Vertical rear connection



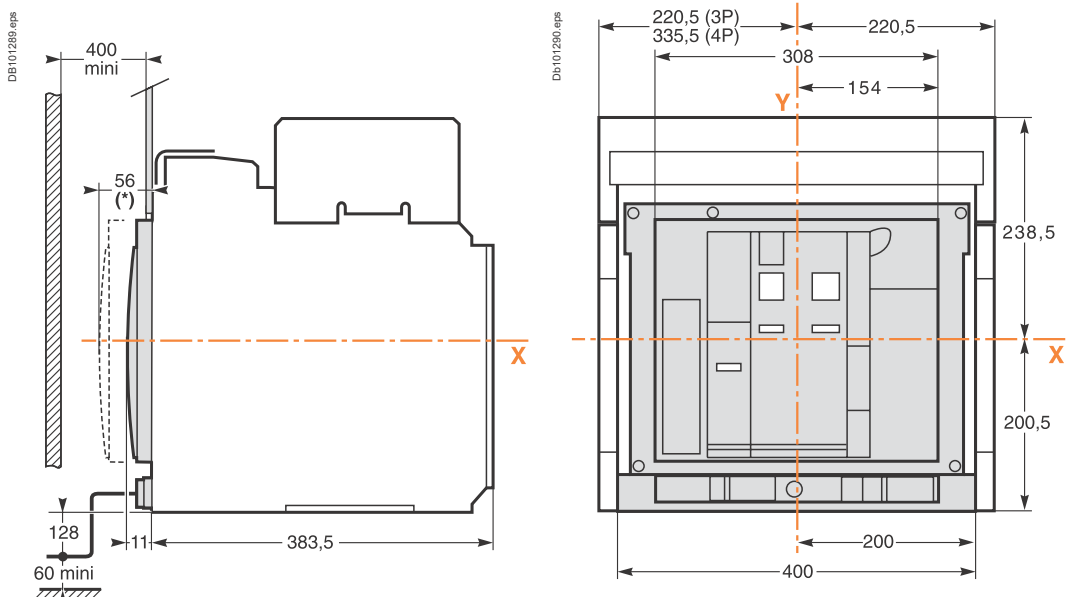
Detail



View A detail.

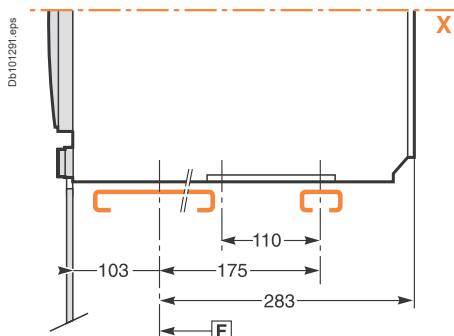
Note: recommended connection screws: **M10** class 8.8.
Tightening torque: **50 Nm** with contact washer.

Dimensions

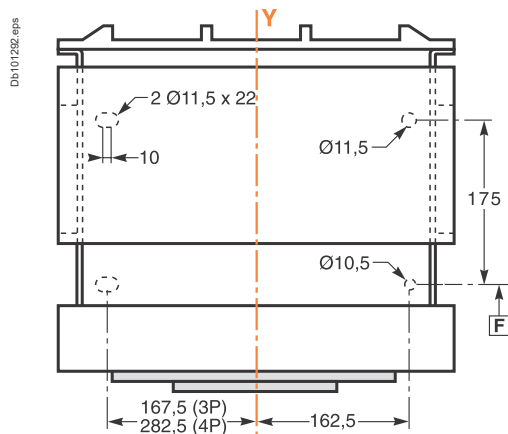


(*) Disconnected position.

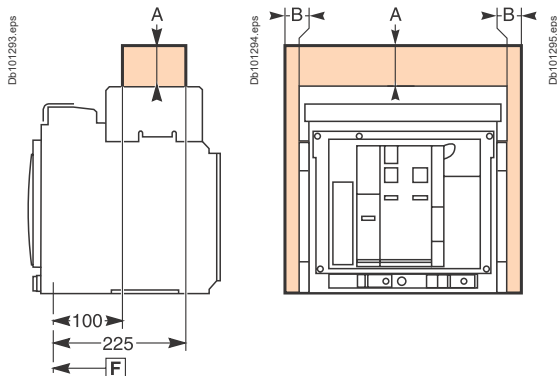
Mounting on base plate or rails



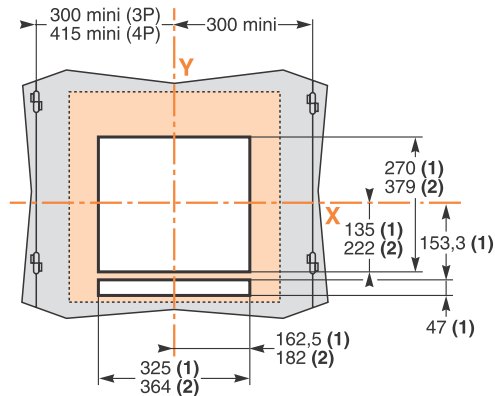
Mounting detail



Safety clearances



Door cutout



	Insulated parts	Metal parts	Energised parts
A	0	0	0
B	0	0	60

F : datum.

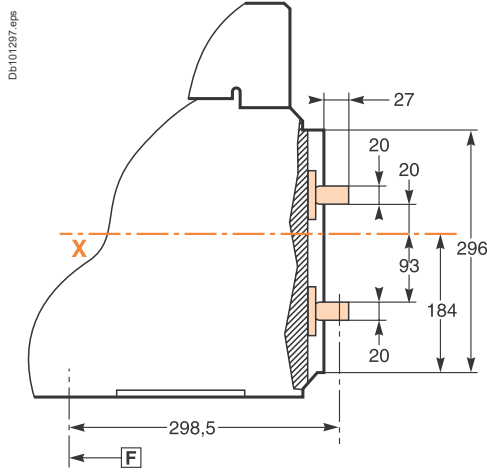
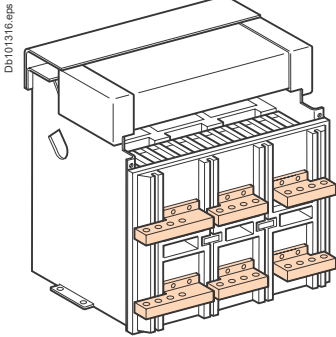
(1) Without escutcheon.

(2) With escutcheon.

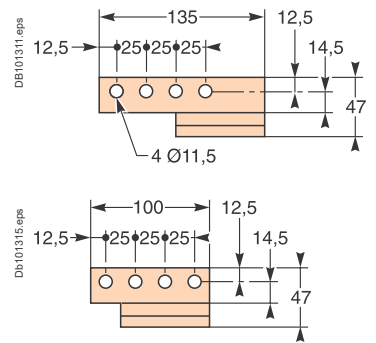
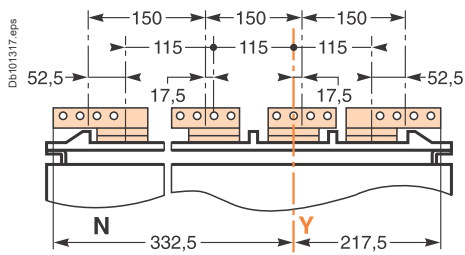
Note: X and Y are the symmetry planes for a 3-pole device.

Connections

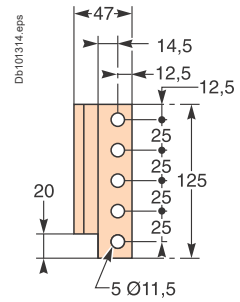
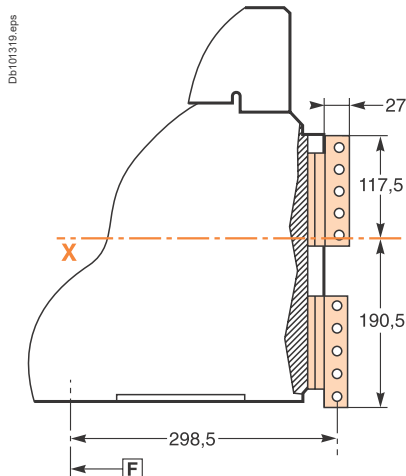
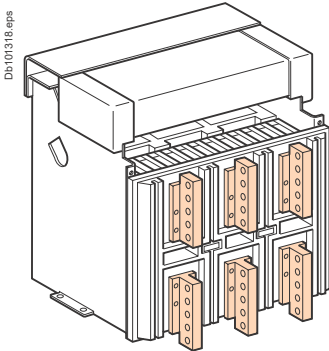
Horizontal rear connection



Detail

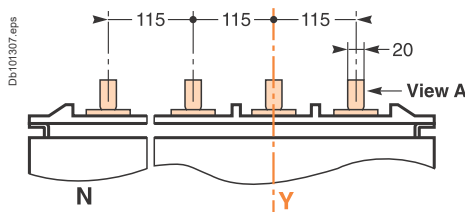


Vertical rear connection



View A detail.

Detail

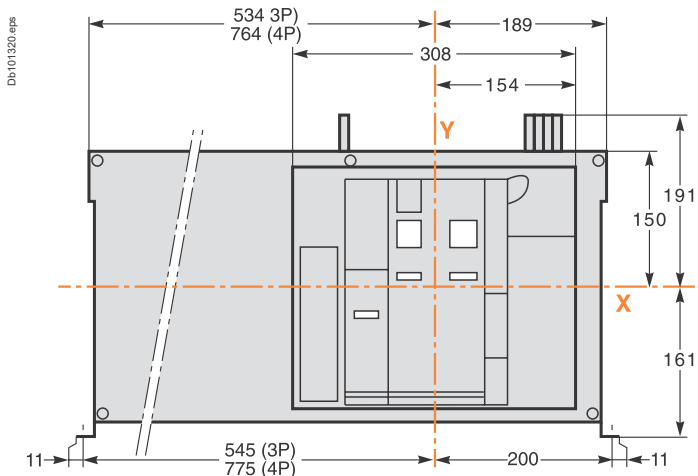
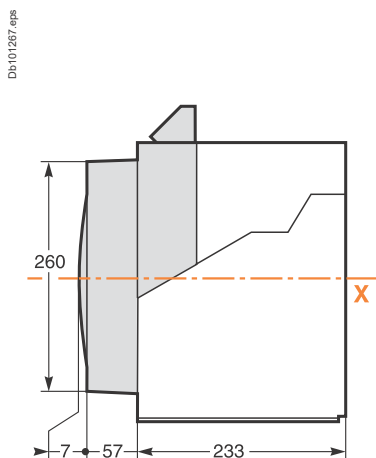


Note: recommended connection screws: **M10** class 8.8.
Tightening torque: **50 Nm** with contact washer.

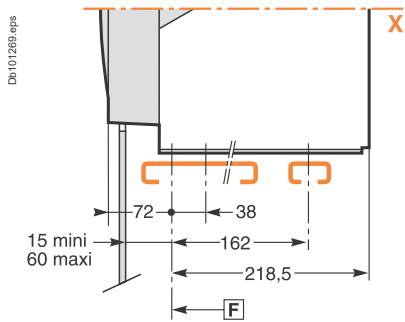
NW40b to NW63 circuit breakers

Fixed 3/4-poles device

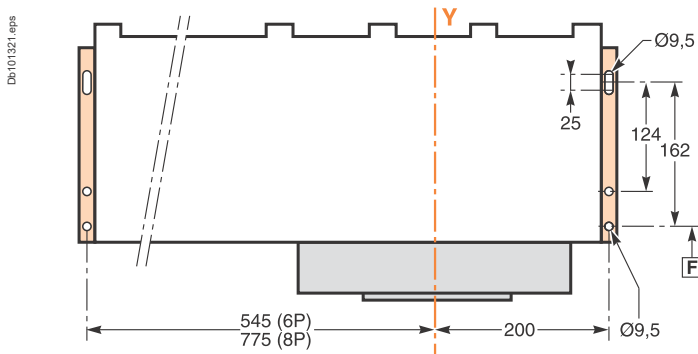
Dimensions



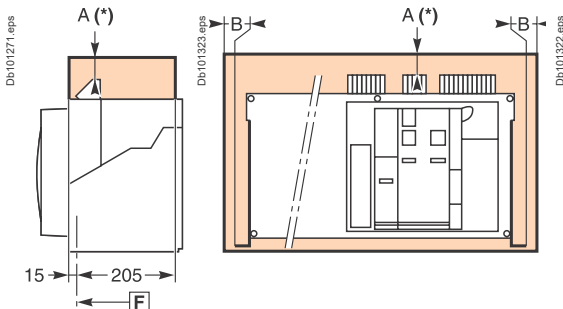
Mounting on base plate or rails



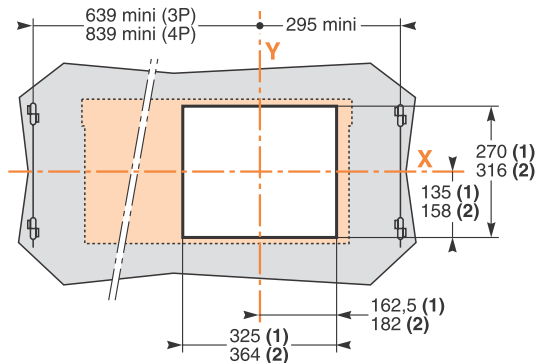
Mounting detail



Safety clearances



Door cutout



	Insulated parts	Metal parts	Energised parts
A	0	0	100
B	0	0	60

(1) Without escutcheon.
(2) With escutcheon.

Note: X and Y are the symmetry planes for a 3-pole device.

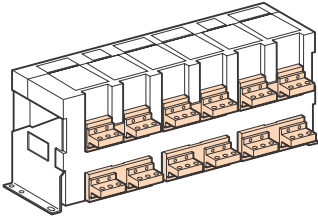
A(*) An overhead clearance of 110 mm is required to remove the arc chutes.
An overhead clearance of 20 mm is required to remove the terminal block.

F: datum.

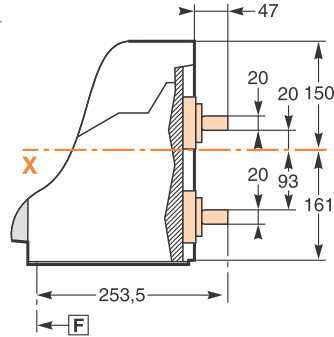
Connections

Horizontal rear connection

Dh101332.eps

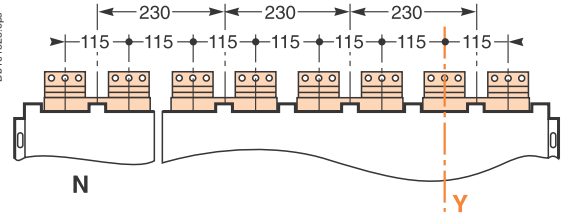


Dh101324.eps

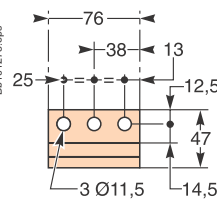


Detail

Dh101325.eps

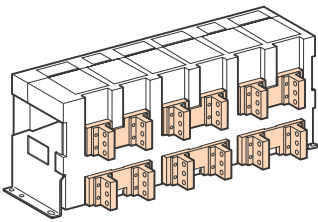


Dh101278.eps

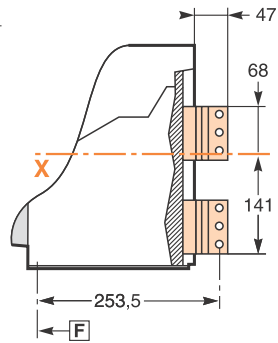


Vertical rear connection

Dh101327.eps

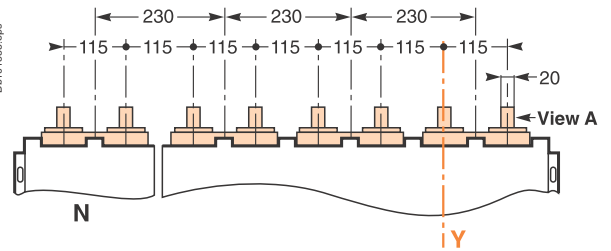


Dh101328.eps

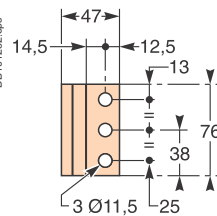


Detail

Dh101333.eps



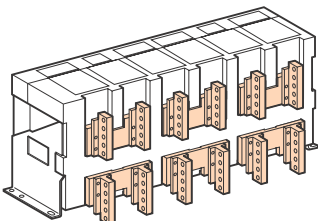
Dh101282.eps



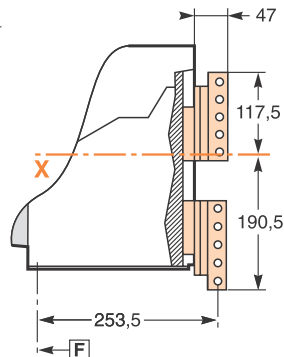
View A detail.

Front connection

Dh101330.eps

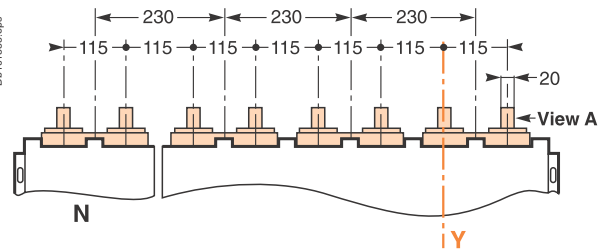


Dh101331.eps

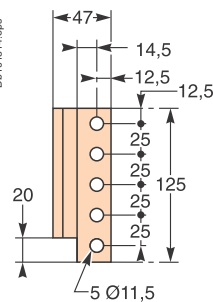


Detail

Dh101333.eps



Dh101314.eps



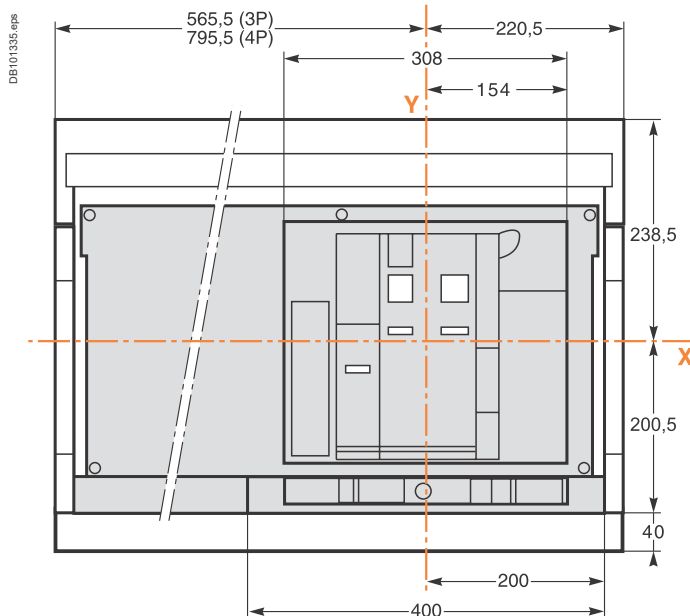
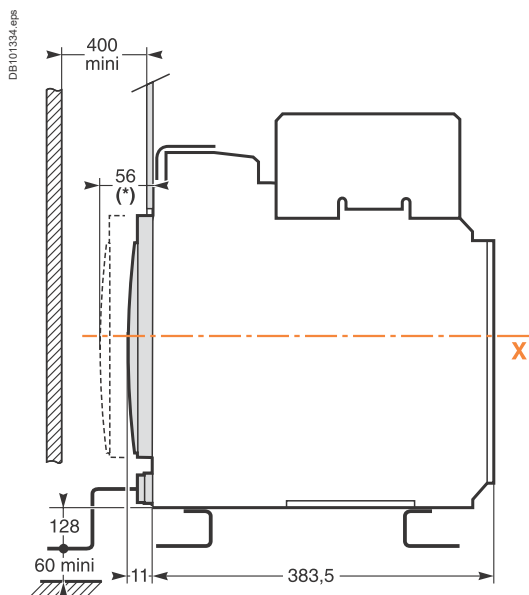
View A detail.

Note: recommended connection screws: **M10** class 8.8.
Tightening torque: **50 Nm** with contact washer.

NW40b to NW63 circuit breakers

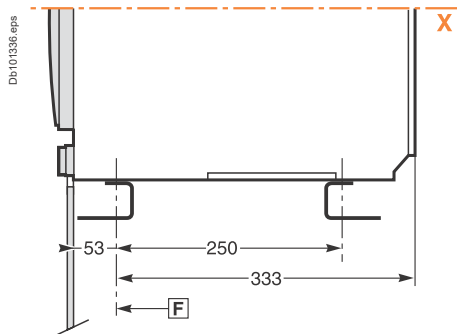
Drawout 3/4-poles device

Dimensions

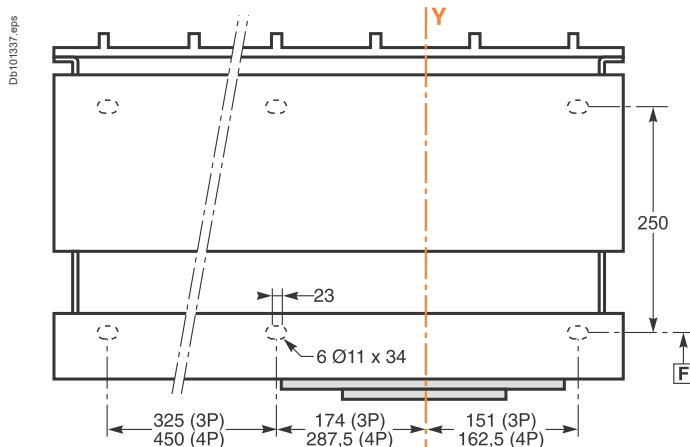


(*) Disconnected position.

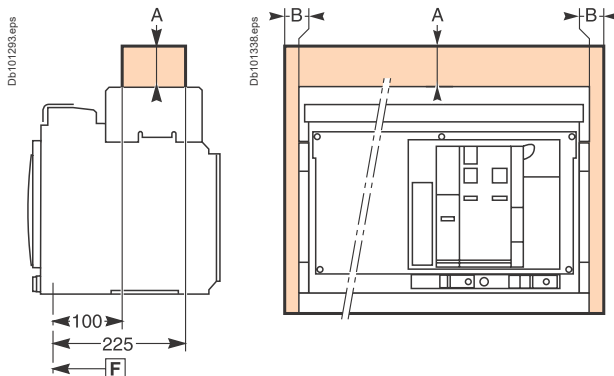
Mounting on base plate or rails



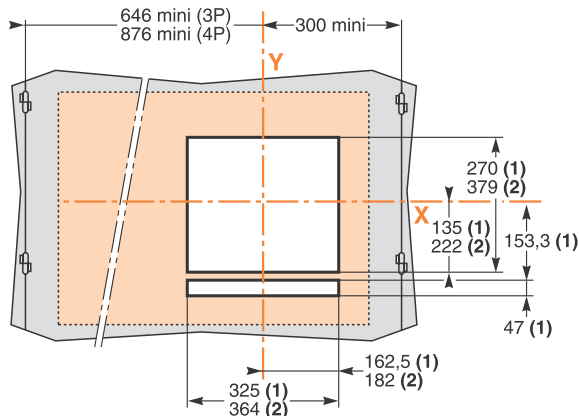
Mounting detail



Safety clearances



Door cutout



	Insulated parts	Metal parts	Energised parts
A	0	0	0
B	0	0	60

(1) Without escutcheon.

(2) With escutcheon.

The safety clearances take into account the space required to remove the arc chutes.

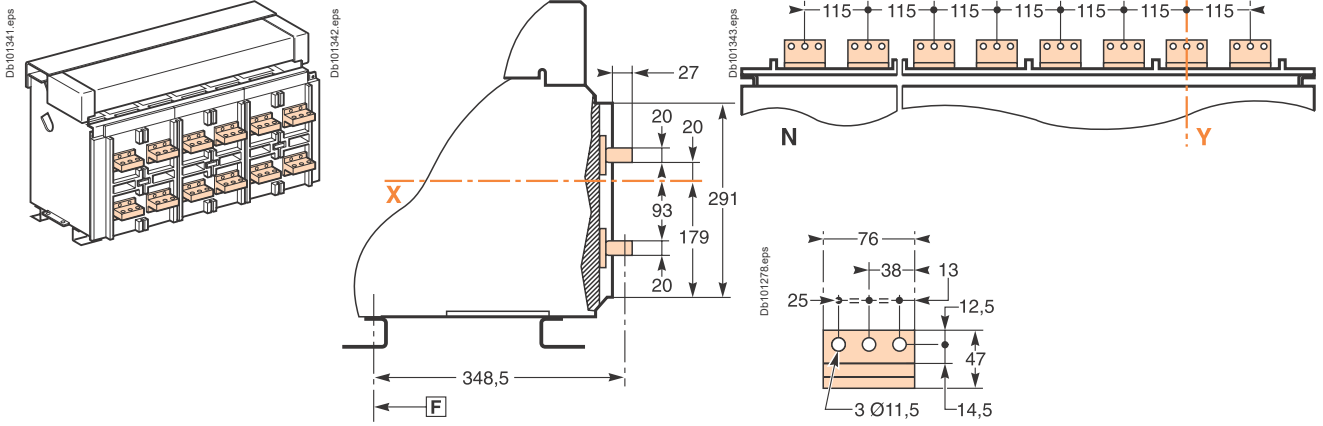
Note: X and Y are the symmetry planes for a 3-pole device.

F: datum.

Connections

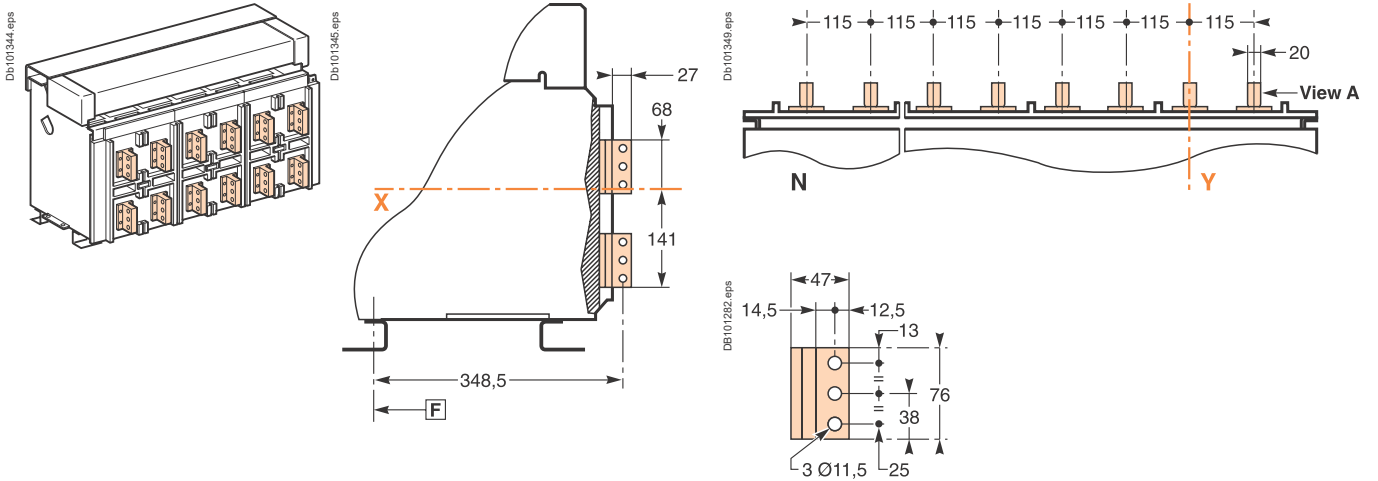
Horizontal rear connection (NW40b - NW50)

Detail



Vertical rear connection (NW40b - NW50)

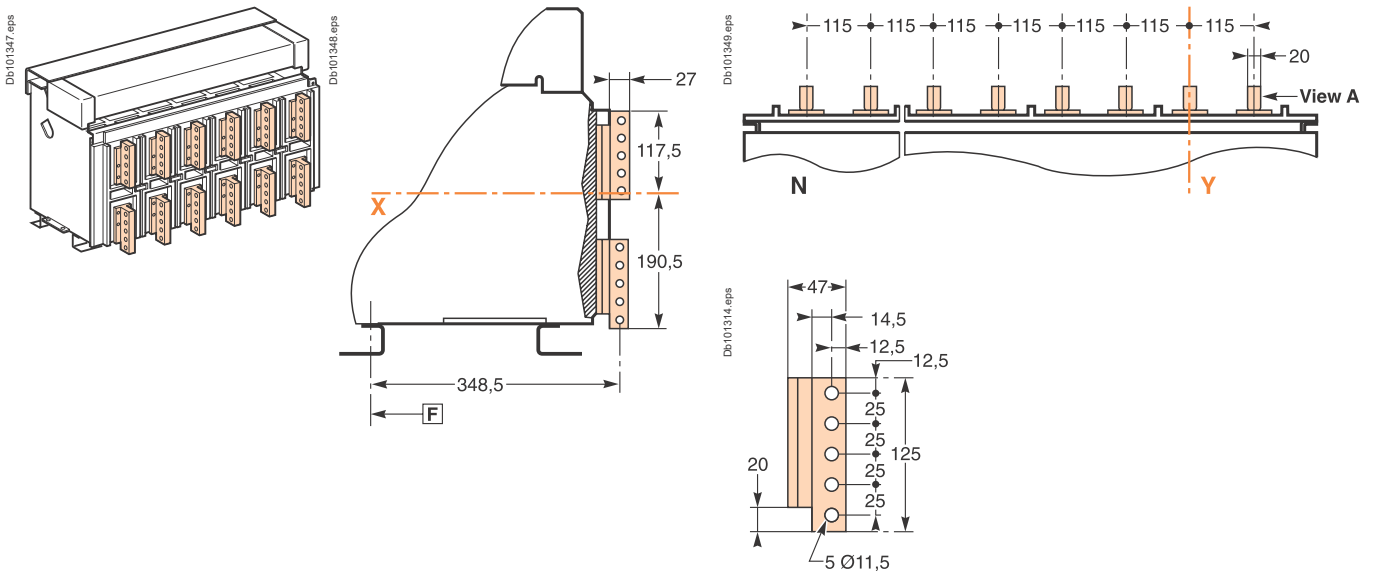
Detail



View A detail.

Vertical rear connection (NW63)

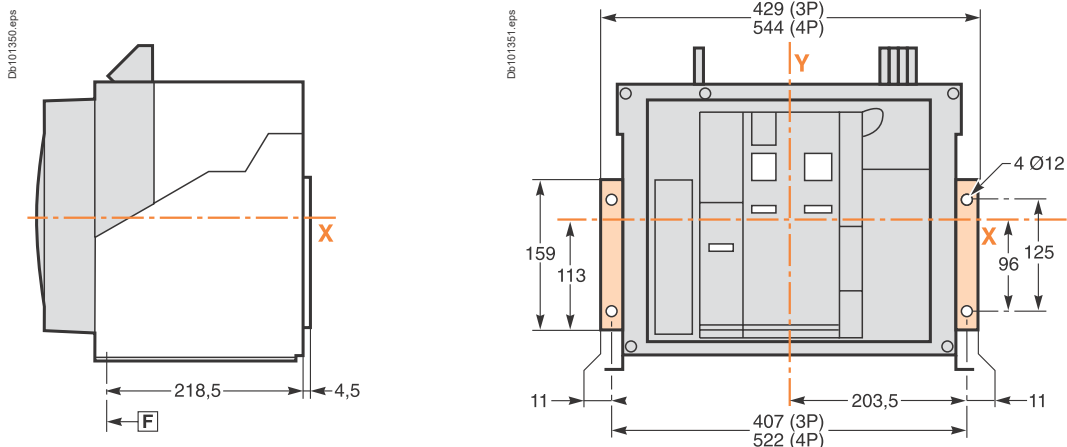
Detail



View A detail.

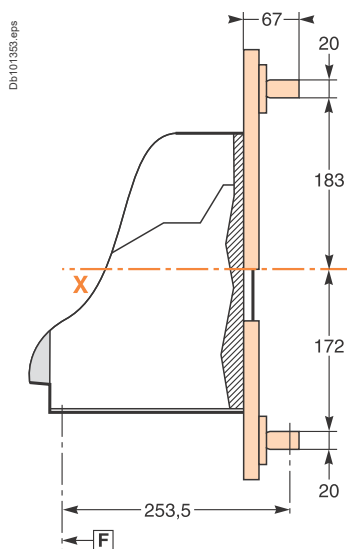
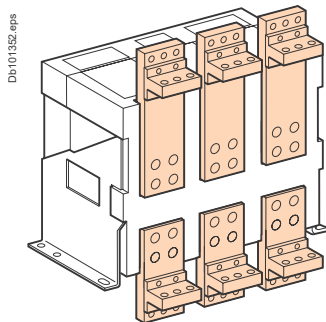
Note: recommended connection screws: **M10** s/s class A4 80.
Tightening torque: **50 Nm** with contact washer.

Mounting on backplate with special brackets (Masterpact NW08 to 32 fixed)

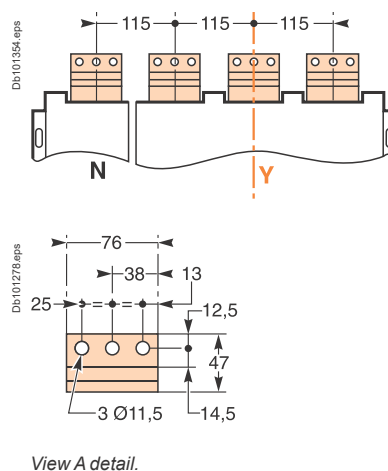


Disconnectable front-connection adapter (Masterpact NW08 to 32 fixed)

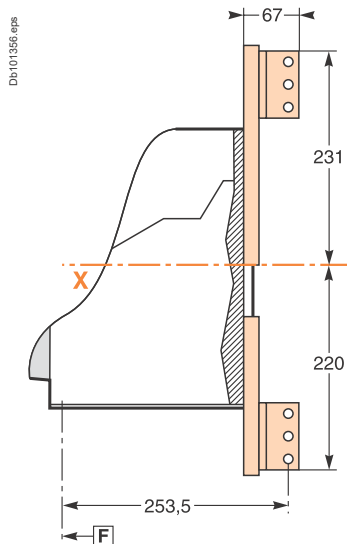
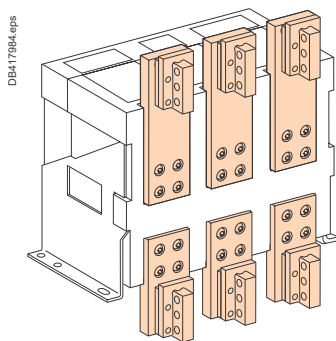
Horizontal rear connection



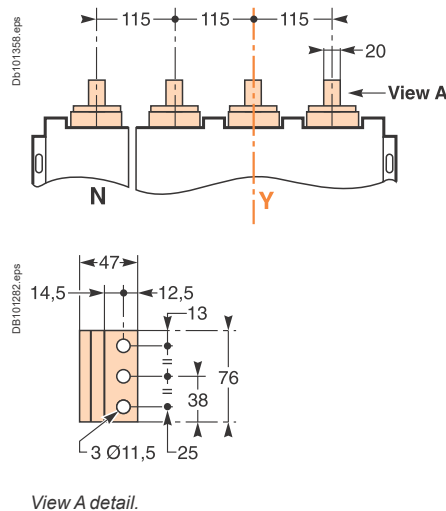
Detail



Vertical rear connection



Detail



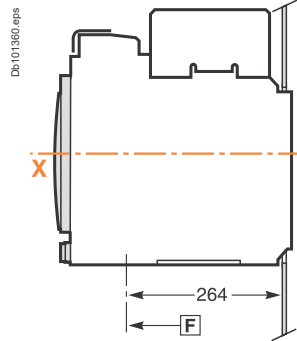
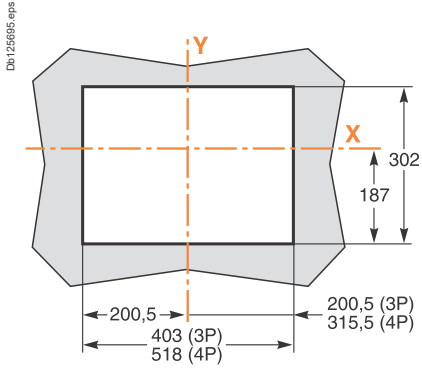
Note: recommended connection screws: **M10** class 8.8.
Tightening torque: **50 Nm** with contact washer.

F: datum.

Rear panel cutout (drawout devices)

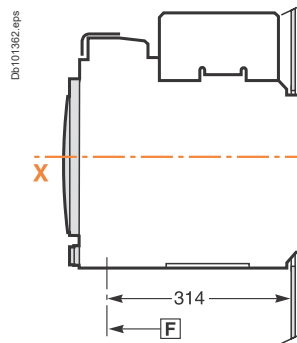
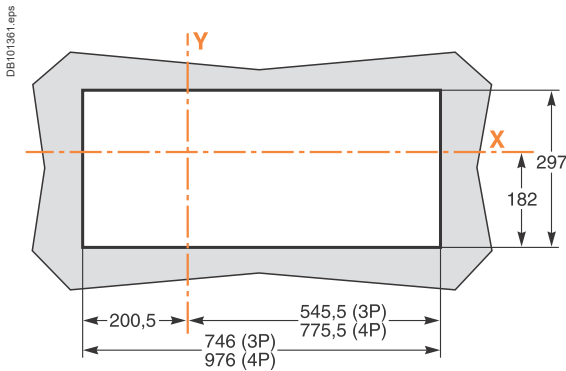
NW08 to NW40

Rear view



NW40b to NW63

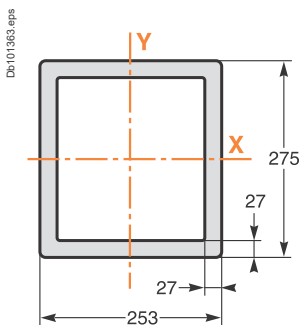
Rear view



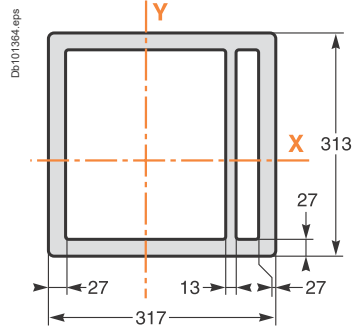
Escutcheon

Masterpact NT

Fixed device

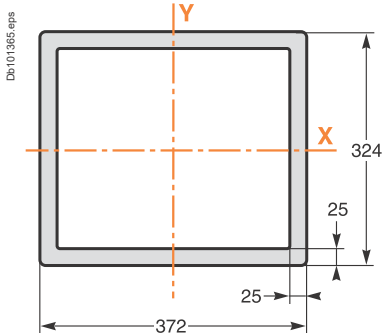


Drawout device

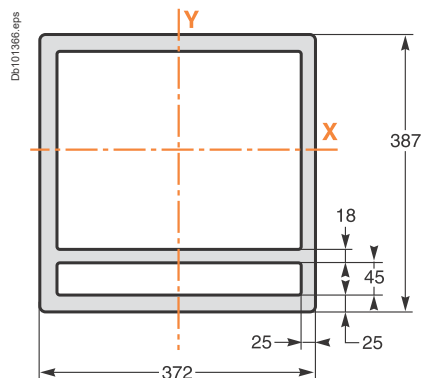


Masterpact NW

Fixed device



Drawout device

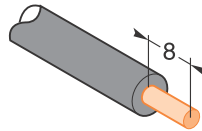


F: datum.

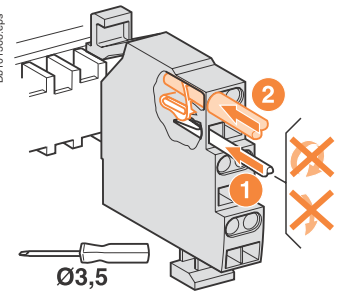
Connection of auxiliary wiring to terminal block

DB101367.eps

-  S : 0,6 mm²
-  S : 2,5 mm²



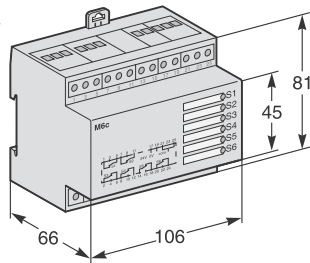
DB101368.eps



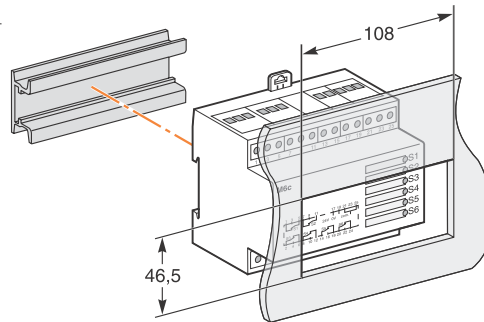
One conductor only per connection point.

M6C relay module

DB102199.eps

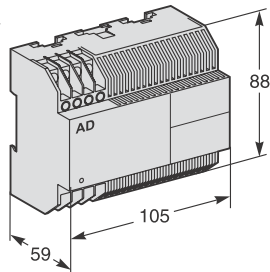


DB117026.eps

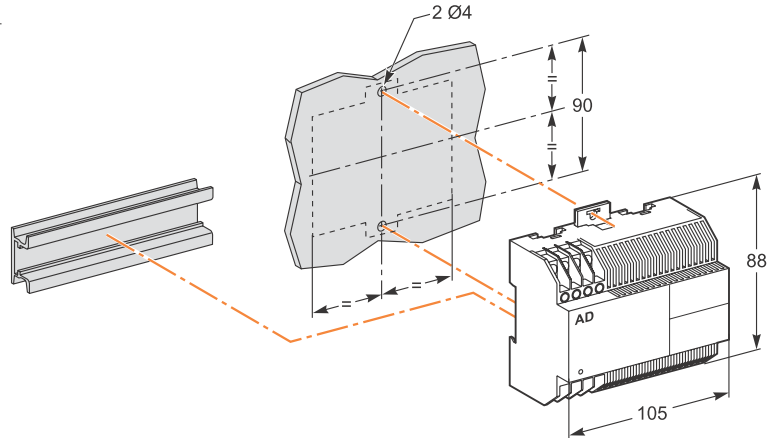


External power supply module (AD)

DB102077.eps



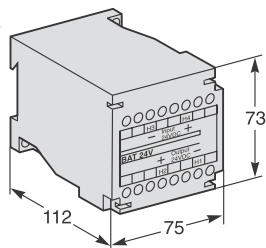
DB102078.eps



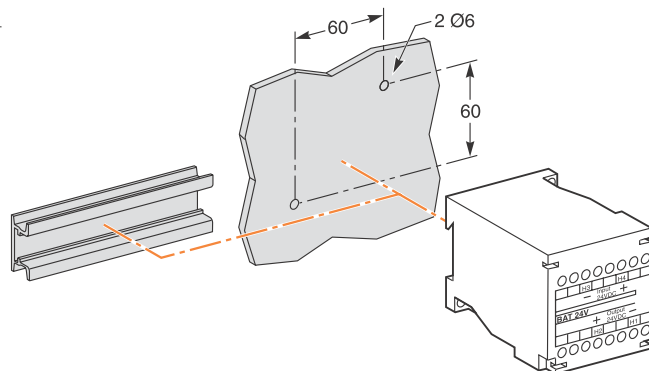
Battery module (BAT)

Mounting

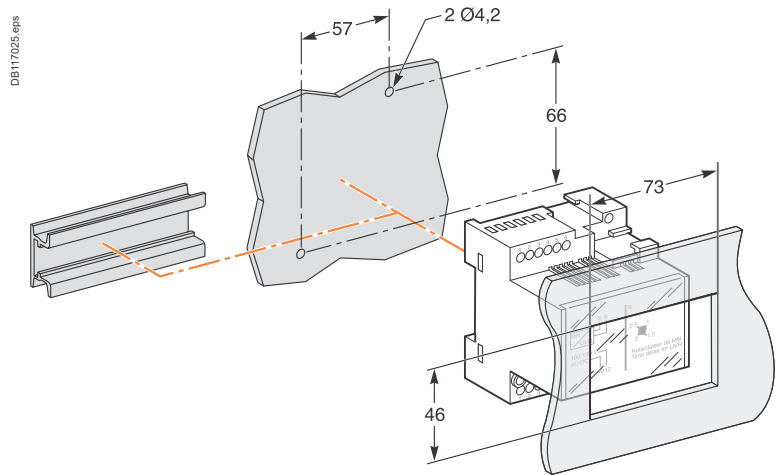
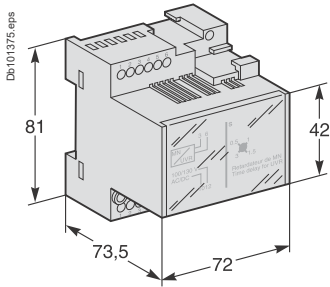
DB101373.eps



DB101374.eps



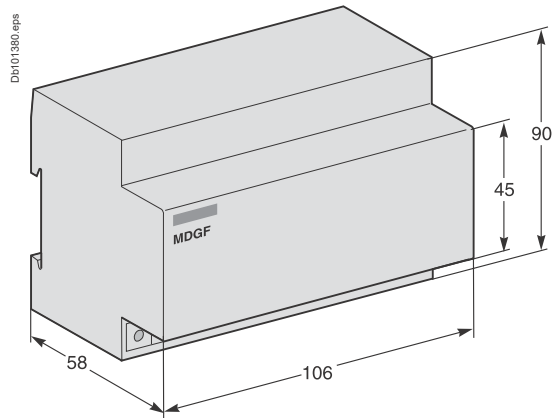
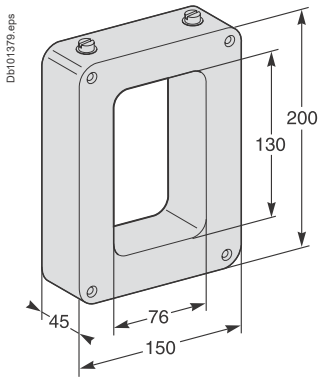
Delay unit for MN release



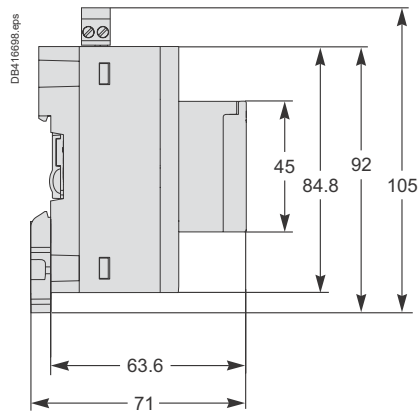
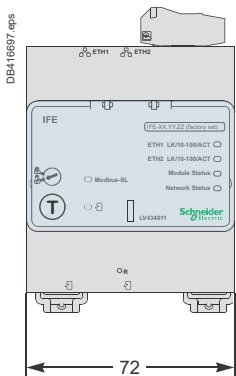
External sensor for source ground return (SGR) protection

Sensor

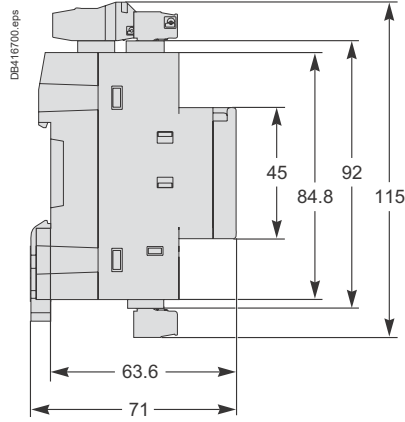
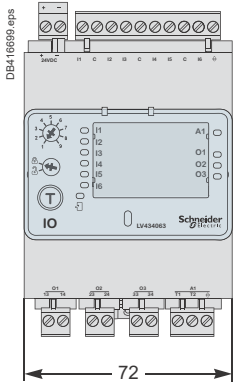
"MGDF summer" module



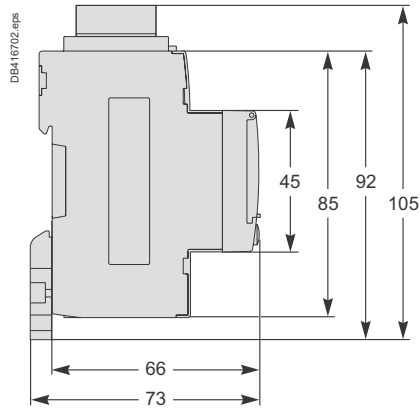
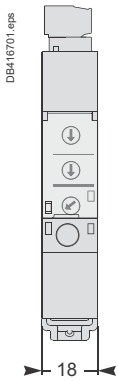
IFE - Ethernet interface



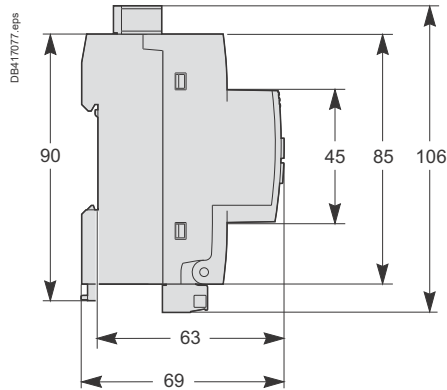
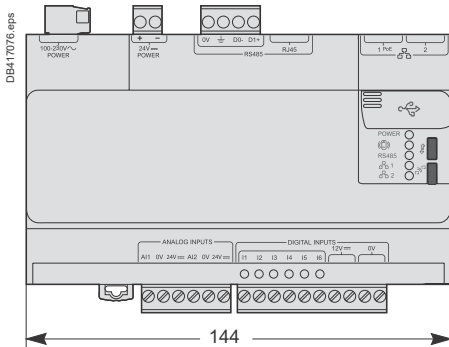
I/O (Input/Output) application module



IFM - Modbus-SL interface



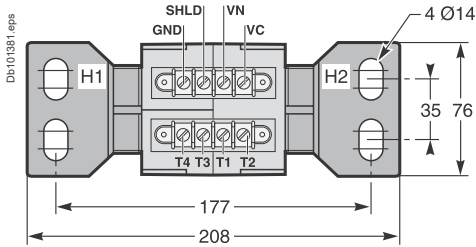
Com'X 200



External sensor for external neutral

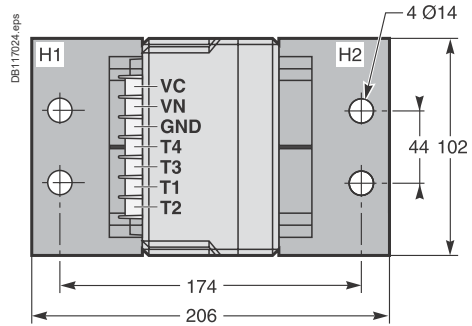
Dimensions

400/1600 A (NT06 to NT16)



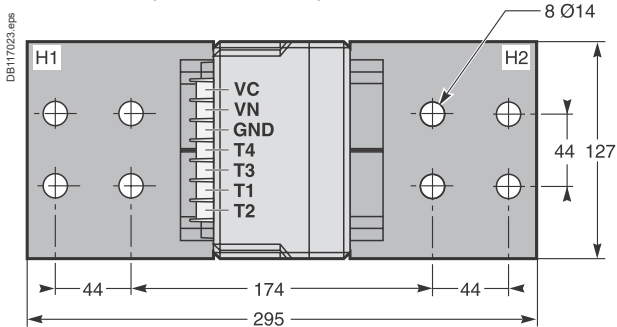
High: 137 mm.

400/2000 A (NW08 to NW20)



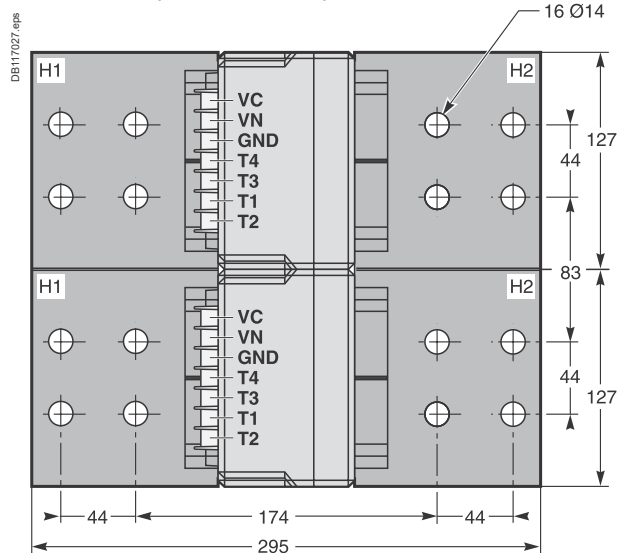
High: 162 mm.

1000/4000 A (NW025 to NW40)



High: 162 mm.

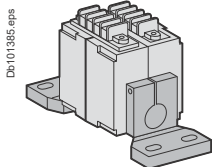
4000/6300 A (NW40b to NW63)



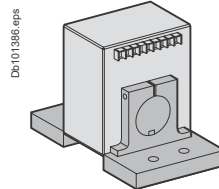
High: 168 mm.

Installation

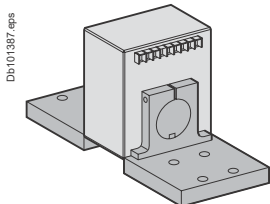
400/1600 A (NT06 to NT16)



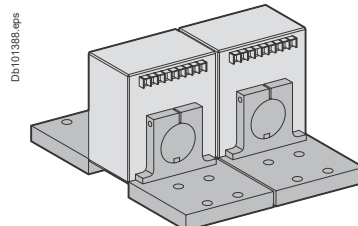
400/2000 A (NW08 to NW20)



1000/4000 A (NW025 to NW40)

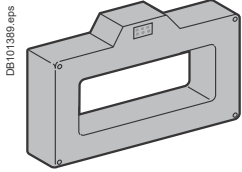


4000/6300 A (NW40b to NW63)

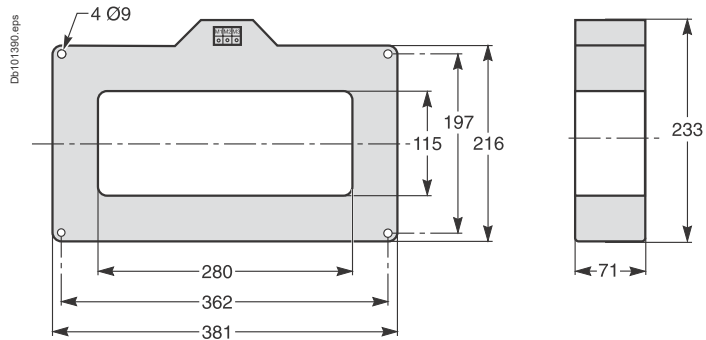


Rectangular sensor for earth leakage protection (Vigi)

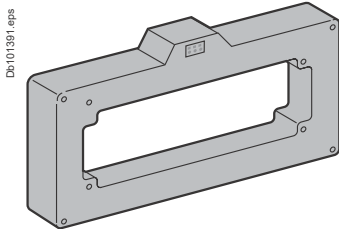
280 x 115 mm window



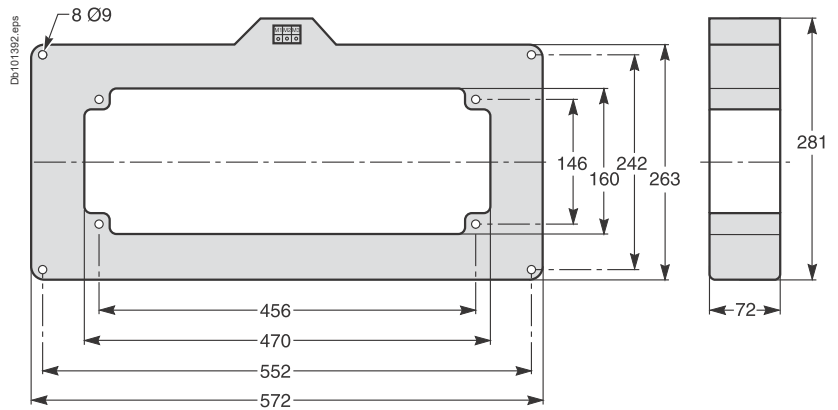
DB101390.eps



470 x 160 mm window



DB101391.eps

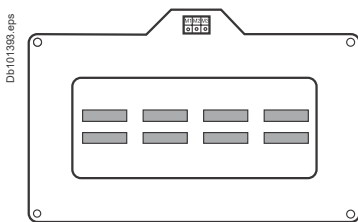


Busbars	I ≤ 1600 A	I ≤ 3200
Window (mm)	280 x 115	470 x 160
Weight (kg)	14	18

Busbars path

280 x 115 mm window

Busbars spaced 70 mm centre-to-centre

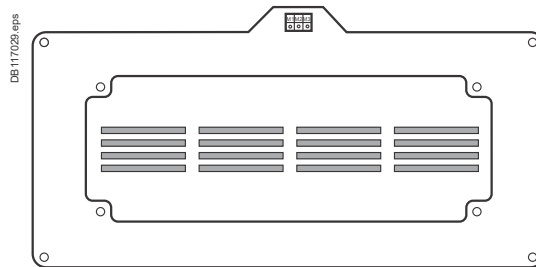


DB101389.eps

2 bars 50 x 10.

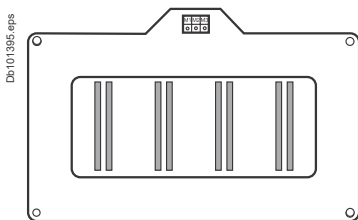
470 x 160 mm window

Busbars spaced 115 mm centre-to-centre



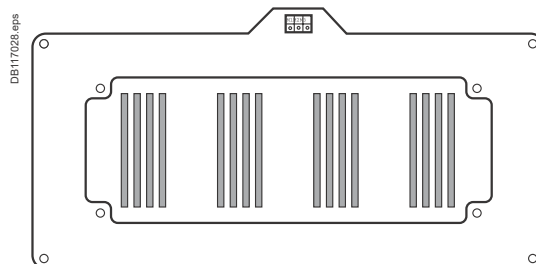
DB117029.eps

4 bars 100 x 5.



DB101395.eps

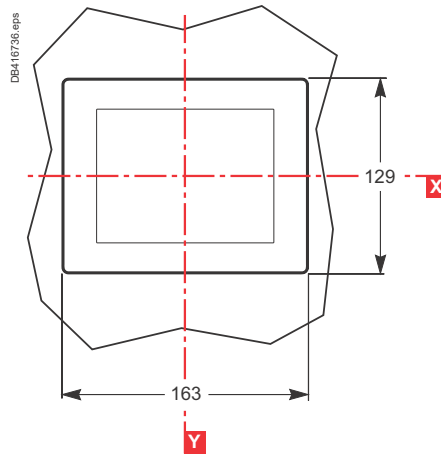
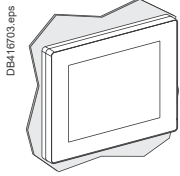
2 bars 100 x 5.



DB117028.eps

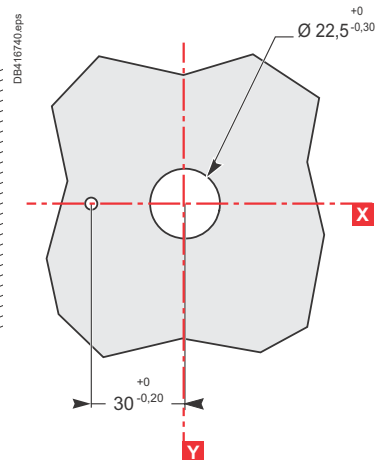
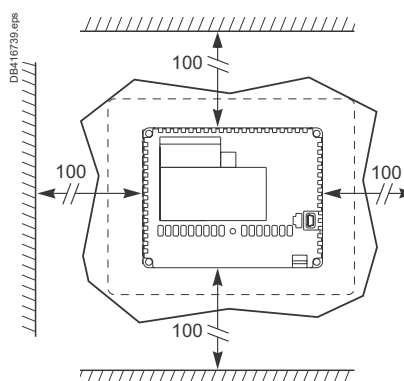
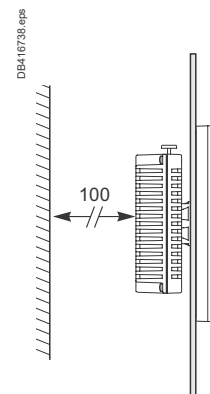
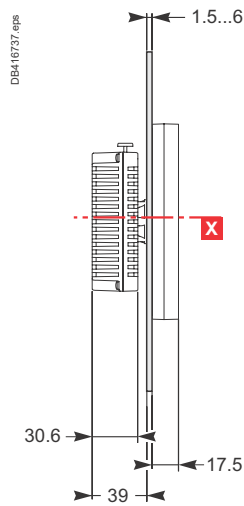
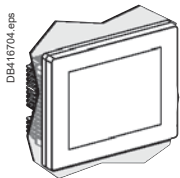
4 bars 125 x 5.

Dimensions



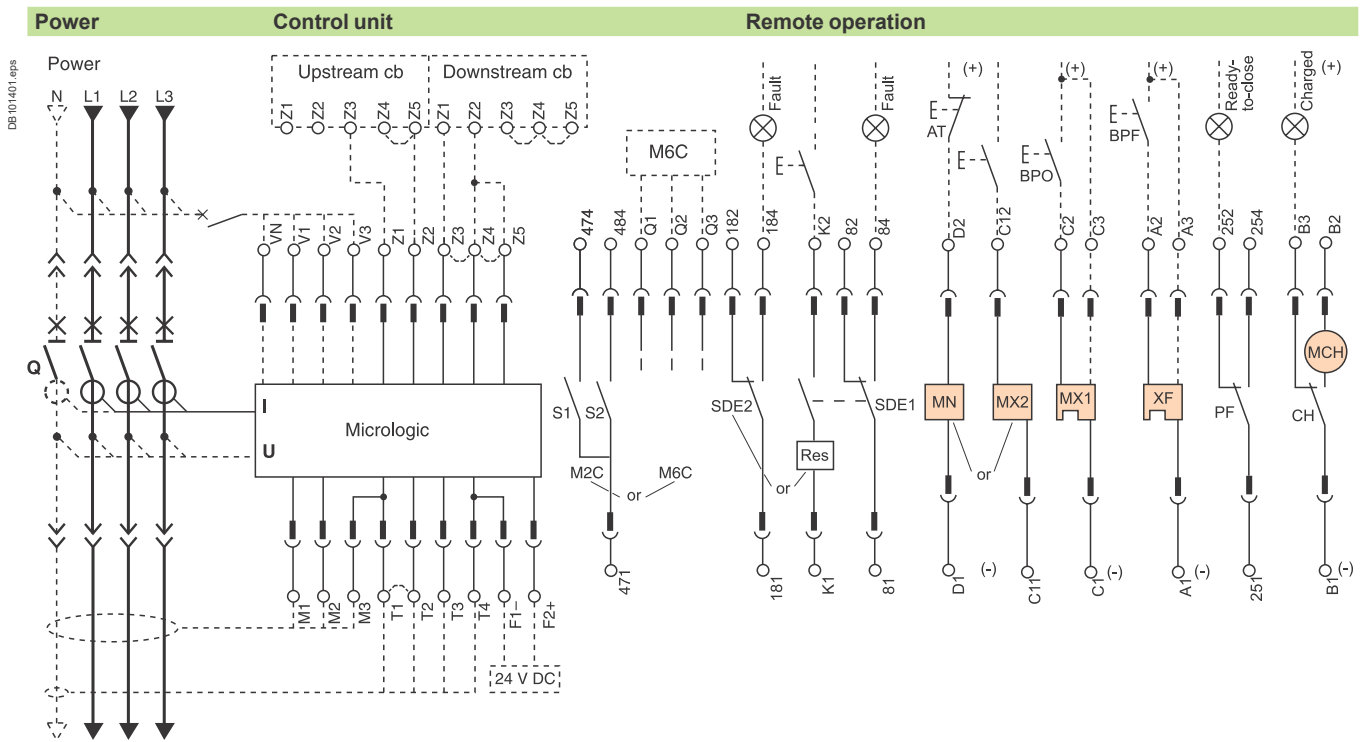
Mounting

On panel



<i>Presentation</i>	2
<i>Functions and characteristics</i>	A-1
<i>Installation recommendations</i>	B-1
<i>Dimensions and connections</i>	C-1
Masterpact NT06 to NT16	
Fixed and drawout devices	D-2
Masterpact NW08 to NW63	
Fixed and drawout devices	D-4
Masterpact NT and NW	
Earth-fault and earth-leakage protection	
Neutral protection	
Zone selective interlocking	D-6
Communication	D-8
Fixed, electrically operated Masterpact NT and NW	
Connection to the communication interface module	D-9
Withdrawable Masterpact NT and NW	
Connection to the I/O and communication interface module	D-10
Masterpact NT and NW	
24 V DC external power supply AD module	D-11
<i>Additional characteristics</i>	E-1
<i>Catalogue numbers and order form</i>	F-1

The diagram is shown with circuits de-energised, all devices open, connected and charged and relays in normal position.



Terminal block marking	Control unit										
	Com	UC1	UC2	UC3	UC4 / M2C / M6C	UC4 / M2C / M6C	UC4 / M2C / M6C	UC4 / M2C / M6C	UC4 / M2C / M6C	UC4 / M2C / M6C	UC4 / M2C / M6C
E5 E6	Z5 M1	M2 M3	F2+	V3 / 484 / Q3							
E3 E4	Z3 Z4	T3 T4	VN	V2 / 474 / Q2							
E1 E2	Z1 Z2	T1 T2	F1-	V1 / 471 / Q1							

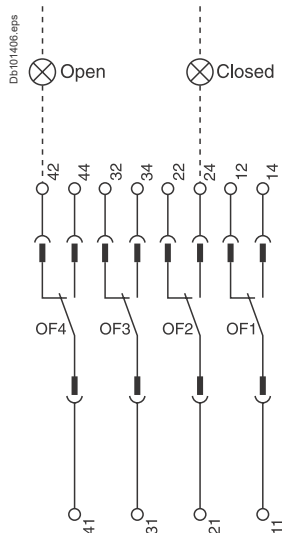
Remote operation									
SDE2 / Res	SDE1	MN / MX2	MX1	XF	PF	MCH			
184 / K2	84	D2 / C12	C2	A2	254	B2			
182	82		C3	A3	252	B3			
181 / K1	81	D1 / C11	C1	A1	251	B1			

A	E	P	H	Control unit
■	■	■	■	Com : E1-E6 communication
■	■	■	■	UC1 : Z1-Z5 zone selective interlocking Z1 = ZSI OUT SOURCE Z2 = ZSI OUT ; Z3 = ZSI IN SOURCE Z4 = ZSI IN ST (short time) Z5 = ZSI IN GF (earth fault) M1 = Vigi module input (Micrologic 7)
■	■	■	■	UC2 : T1, T2, T3, T4 = external neutral M2, M3 = Vigi module input (Micrologic 7)
■	■	■	■	UC3 : F2+, F1- external 24 V DC power supply VN external voltage connector (must be connected to the neutral with a 3P circuit breaker)
■	■	■	■	UC4 : External Voltage Connector (PTE option) or M2C : 2 programmable contacts (external relay) ext. 24 V DC power supply required. or M6C : 6 programmable contacts to be connected to the external module M6C) ext. 24 V DC power supply required.

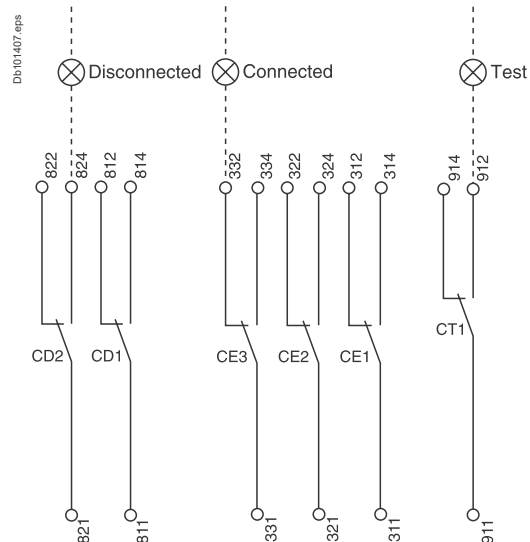
Remote operation									
SDE2 : fault-trip indication contact or Res : remote reset									
SDE1 : fault-trip indication contact (supplied as standard)									
MN : undervoltage release or MX2 : shunt release									
MX1 : shunt release (standard or communicating)									
XF : closing release (standard or communicating)									
PF : ready-to-close contact									
MCH : electric motor									
<i>Note: when communicating MX or XF releases are used, the third wire (C3,A3) must be connected even if the communication module is not installed.</i>									

A : digital ammeter. P : A + power meter + additional protection.
E : energy. H : P + harmonics.

Indication contacts



Chassis contacts



Indication contacts

OF4	OF3	OF2	OF1
44	34	24	14
42	32	22	12
41	31	21	11

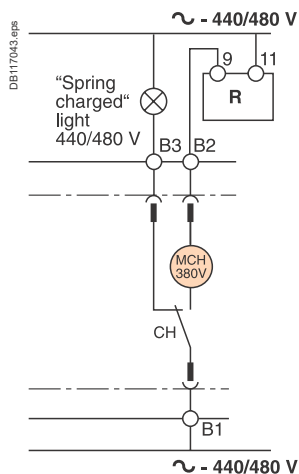
Chassis contacts

CD2	CD1	CE3	CE2	CE1	CT1
824	814	334	324	314	914
822	812	332	322	312	912
821	811	331	321	311	911

Indication contacts

OF4 / OF3 / OF2 / OF1 : ON/OFF indication contacts.

(*) Spring charging motor 440/480 V AC
(380 V motor + additional resistor).



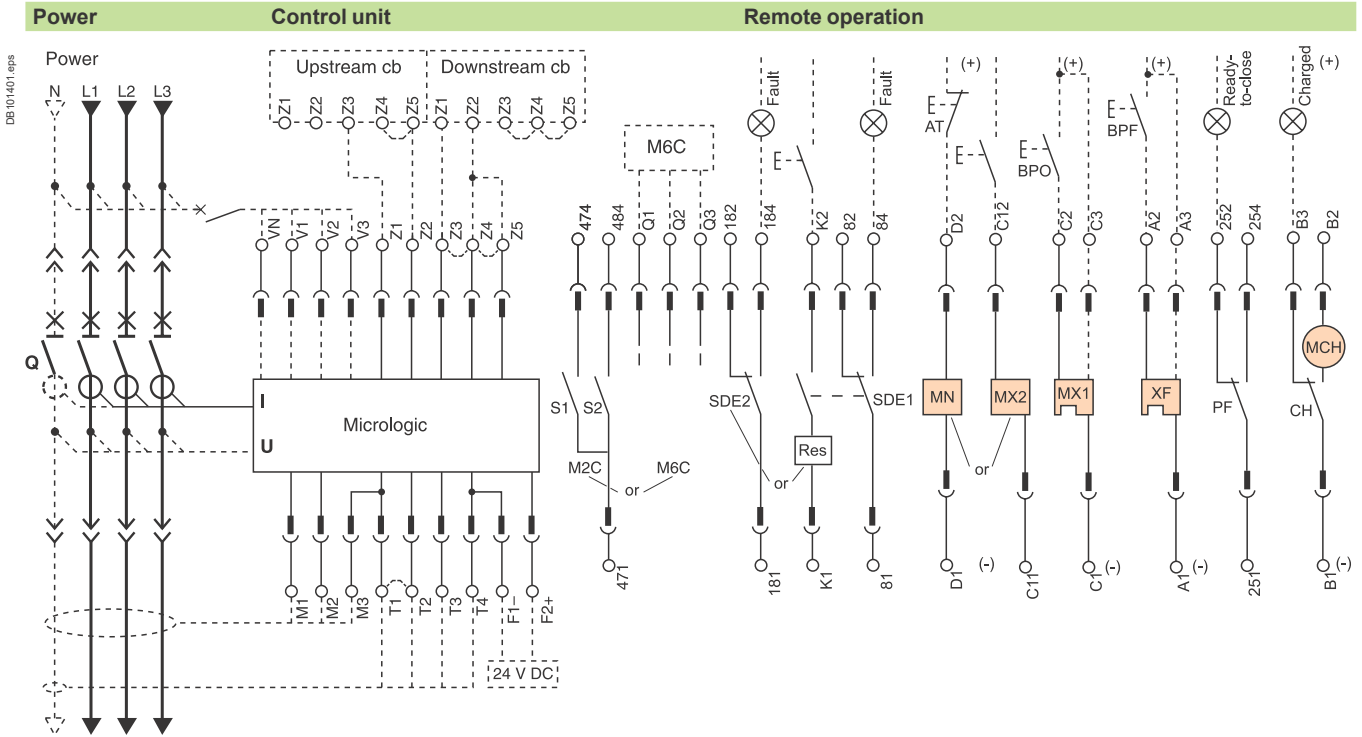
Chassis contacts

CD2 : disconnected position contacts CE3 : connected position contacts CT1 : test position contacts

Key:

- drawout device only.
- SDE1, OF1, OF2, OF3, OF4 supplied as standard.
- interconnected connections (only one wire per connection point).

The diagram is shown with circuits de-energised, all devices open, connected and charged and relays in normal position.



Terminal block marking	Control unit					
	Com	UC1	UC2	UC3	UC4	M2C / M6C
E5 E6	Z5 M1	M2 M3	F2+	V3	484 / Q3	
E3 E4	Z3 Z4	T3 T4	VN	V2	474 / Q2	
E1 E2	Z1 Z2	T1 T2	F1-	V1	471 / Q1	

Remote operation						
SDE2 / Res	SDE1	MN / MX2	MX1	XF	PF	MCH
184 / K2	84	D2 / C12	C2	A2	254	B2
182	82		C3	A3	252	B3
181 / K1	81	D1 / C11	C1	A1	251	B1

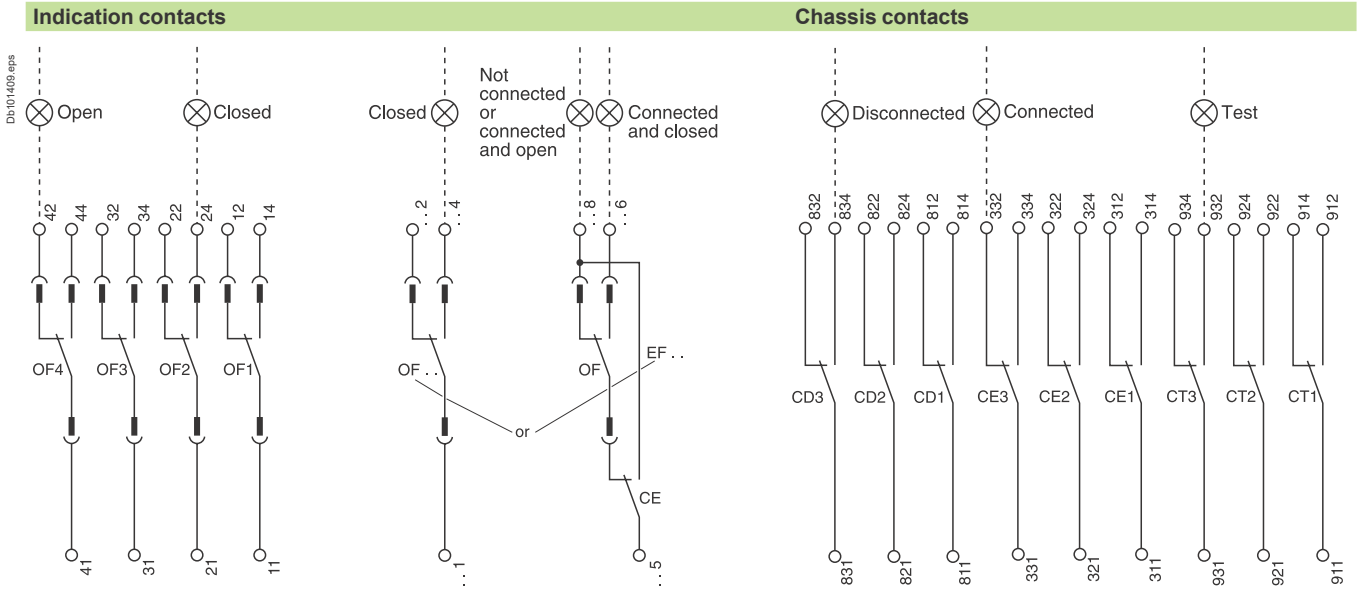
A	E	P	H	Control unit
■	■	■	■	Com : E1-E6 communication
■	■	■	■	UC1 : Z1-Z5 zone selective interlocking Z1 = ZSI OUT SOURCE Z2 = ZSI OUT ; Z3 = ZSI IN SOURCE Z4 = ZSI IN ST (short time) Z5 = ZSI IN GF (earth fault)
■	■	■	■	M1 = Vigi module input (Micrologic 7)
■	■	■	■	UC2 : T1, T2, T3, T4 = external neutral M2, M3 = Vigi module input (Micrologic 7)
■	■	■	■	UC3 : F2+, F1- external 24 V DC power supply VN external voltage connector (must be connected to the neutral with a 3P circuit breaker)
■	■	■	■	UC4 : External Voltage Connector (PTE option)
■	■	■	■	M2C : 2 programmable contacts (internal relay) ext. 24 V DC power supply required
				or
				M6C : 6 programmable contacts (to be connected to the external module M6C) ext. 24 V DC power supply required

Remote operation						
SDE2 : fault-trip indication contact						
or						
Res : remote reset						
SDE1 : fault-trip indication contact (supplied as standard)						
MN : undervoltage release						
or						
MX2 : shunt release						
MX1 : shunt release (standard or communicating)						
XF : closing release (standard or communicating)						
PF : ready-to-close contact						
MCH : electric motor						

Note: when communicating MX or XF releases are used, the third wire (C3,A3) must be connected even if the communication module is not installed.

A : digital ammeter. P : A + power meter + additional protection.
E : energy. H : P + harmonics.

(1) The PTE option with Micrologic E is not compatible with an external potential CT.



Indication contacts															
OF4	OF3	OF2	OF1	OF24	OF23	OF22	OF21	OF14	OF13	OF12	OF11				
44	34	24	14	244	234	224	214	144	134	124	114				
42	32	22	12	242	232	222	212	142	132	122	112				
41	31	21	11	241	231	221	211	141	131	121	111				
or								EF24	EF23	EF22	EF21	EF14	EF13	EF12	EF11
248	238	228	218	148	138	128	118								
246	236	226	216	146	136	126	116								
245	235	225	215	145	135	125	115								

Chassis contacts								
CD3	CD2	CD1	CE3	CE2	CE1	CT3	CT2	CT1
834	824	814	334	324	314	934	924	914
832	822	812	332	322	312	932	922	912
831	821	811	331	321	311	931	921	911
or						or		
CE6	CE5	CE4				CE9	CE8	CE7
364	354	344				394	384	374
362	352	342				392	382	372
361	351	341				391	381	371

Indication contacts		
OF4 :	ON/OFF indication contacts	OF24 or EF24
OF3		OF23 or EF23
OF2		OF22 or EF22
OF1		OF21 or EF21
		OF14 or EF14
		OF13 or EF13
		OF12 or EF12
		OF11 or EF11
		Combined "connected-deconnected" indication contacts

Chassis contacts		
CD3	disconnected position contacts	CE3
CD2		CE2
CD1		CE1
		CT3
		CT2
		CT1
or		
CE6	connected position contacts	CE9
CE5		CE8
CE4		CE7
or		
CD6	disconnected position contacts	CD5
CD4		CD4

Key:

drawout device only.

SDE1, OF1, OF2, OF3, OF4 supplied as standard.

interconnected connections (only one wire per connection point).

Masterpact NT and NW

Earth-fault and earth-leakage protection

Neutral protection

Zone selective interlocking

External sensor (CT) for residual earth-fault protection

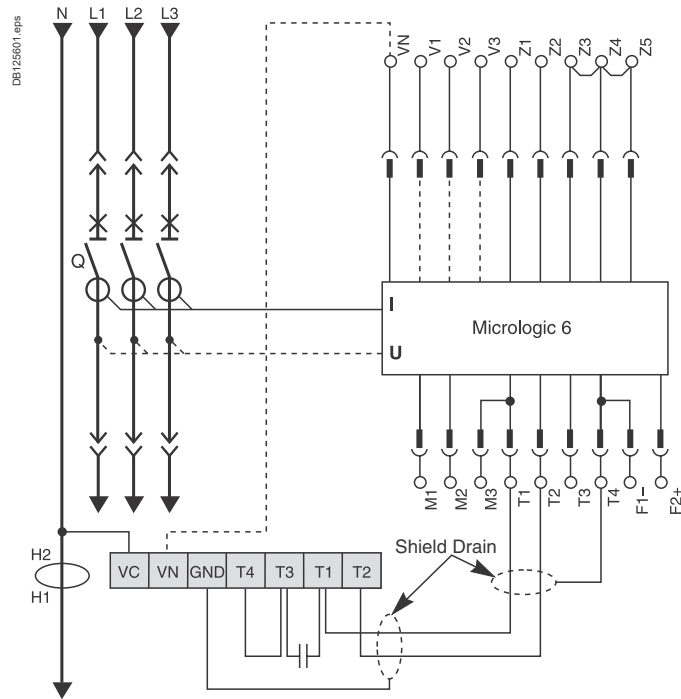
Connection of current-transformer secondary circuit for external neutral

Masterpact equipped with a Micrologic 6 A/E/P/H:

- shielded cable with 2 twisted pairs
 - T1 twisted with T2
 - maximum length 4 meters
 - cable cross-sectional area 0.4 to 1.5 mm²
 - recommended cable: Belden 9552 or equivalent.
- For proper wiring of neutral CT, refer to instruction Bulletin 48041-082-03 shipped with it.
Do not remove Micrologic factory-installed jumper between T1 and T2 unless neutral CT is connected.
If supply is via the top, follow the schematics.
If supply is via the bottom, control wiring is identical; for the power wiring, H1 is connected to the source side, H2 to the load side.

For four-pole versions, for residual earth-fault protection, the current transformer for the external neutral is not necessary.

Connection for signal VN is required only for power measurements (3 Ø, 4 wires, 4CTs).

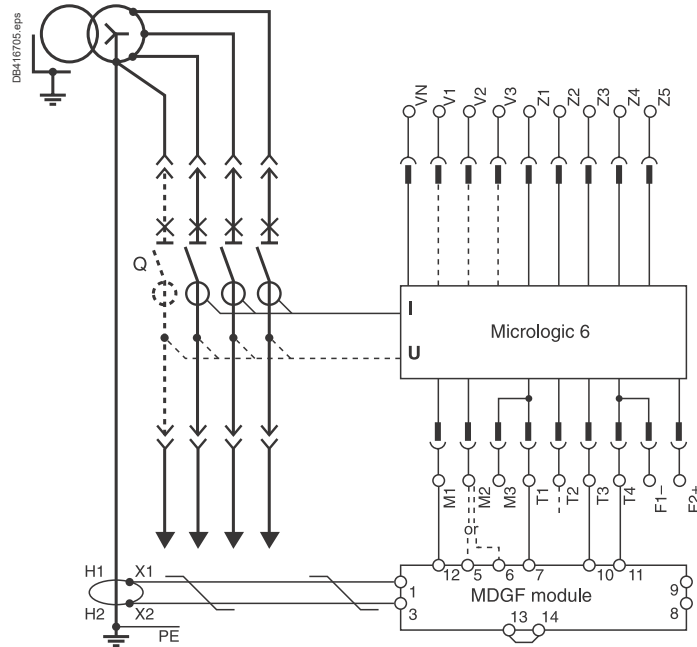


External transformer for source ground return (SGR) earth-fault protection

Connection of the secondary circuit

Masterpact equipped with a Micrologic 6 A/E/P/H:

- unshielded cable with 1 twisted pair
- maximum length 150 meters
- cable cross-sectional area 0.4 to 1.5 mm²
- terminals 5 and 6 may not be used at the same time
- use terminal 5 for NW08 to 40
- use terminal 6 for NW40b to 63
- recommended cable: Belden 9409 or equivalent.



Masterpact NT and NW

Earth-fault and earth-leakage protection

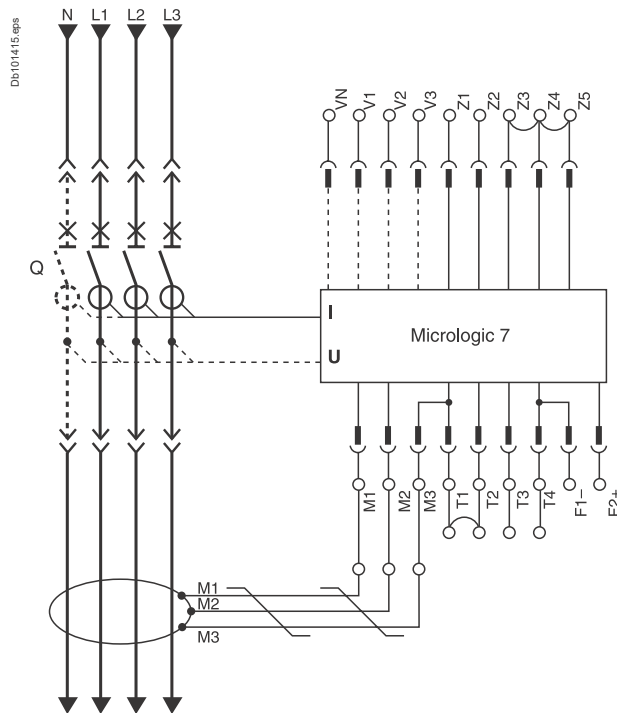
Neutral protection

Zone selective interlocking

Earth-leakage protection

Connection of the rectangular-sensor secondary circuit

Use the cable shipped with the rectangular sensor.



Neutral protection

- Three pole circuit breaker:
 - neutral protection is impossible with Micrologic A, E
 - Masterpact equipped with Micrologic P or H
 - the current transformer for external neutral is necessary (the wiring diagram is identical to the one used for the residual earth-fault protection)
- Four pole circuit breaker:
 - Masterpact equipped with Micrologic A, E, P or H
 - the current transformer for external neutral is not necessary.

Zone selective interlocking

Zone-selective interlocking is used to reduce the electrodynamic forces exerted on the installation by shortening the time required to clear faults, while maintaining time discrimination between the various devices.

A pilot wire interconnects a number of circuit breakers equipped with Micrologic A/E/P/H control units, as illustrated in the diagram above.

The control unit detecting a fault sends a signal upstream and checks for a signal arriving from downstream. If there is a signal from downstream, the circuit breaker remains closed for the full duration of its tripping delay. If there is no signal from downstream, the circuit breaker opens immediately, regardless of the tripping-delay setting.

Fault 1.

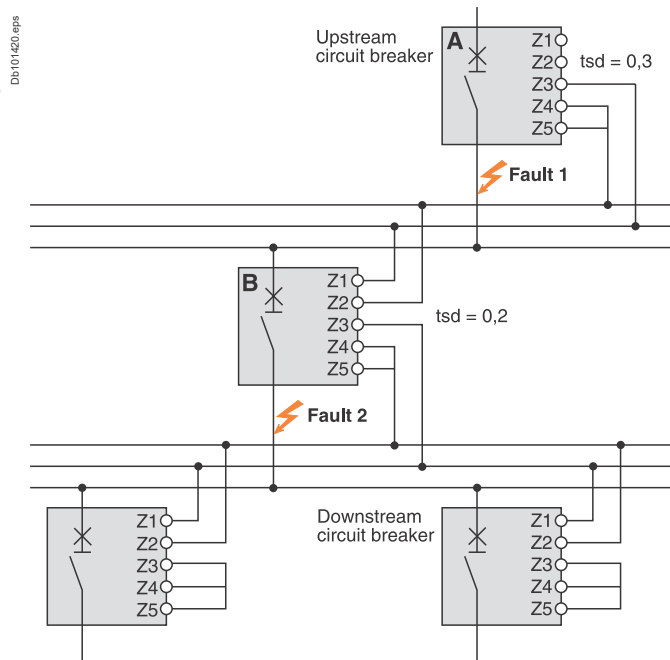
Only circuit breaker A detects the fault. Because it receives no signal from downstream, it opens immediately, regardless of its tripping delay set to 0.3.

Fault 2.

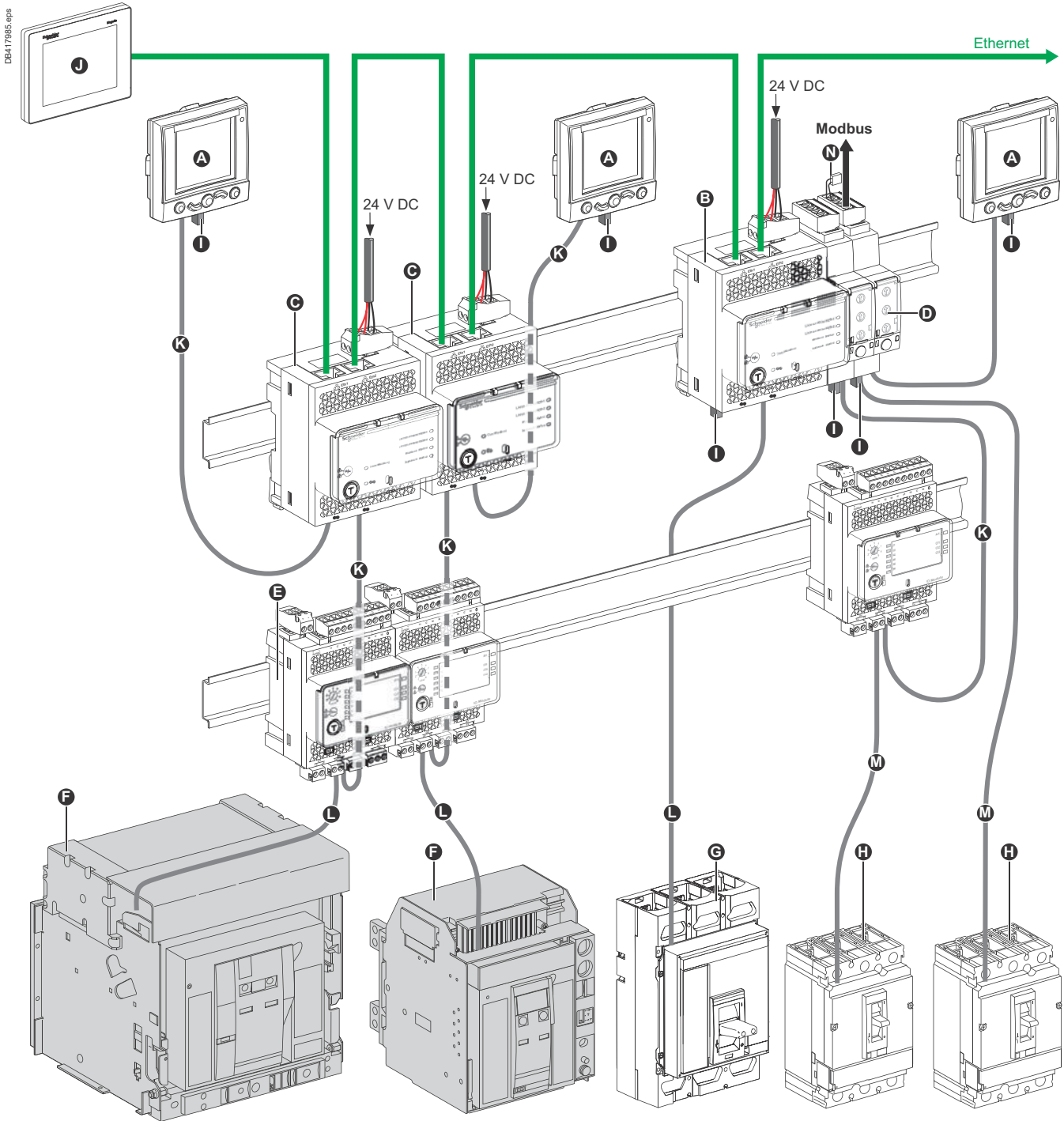
Circuit breakers A and B detect the fault. Circuit breaker A receives a signal from B and remains closed for the full duration of its tripping delay set to 0.3. Circuit breaker B does not receive a signal from downstream and opens immediately, in spite of its tripping delay set to 0.2.

Wiring

- Maximum impedance: 2.7 Ω / 300 m.
- Capacity of connectors: 0.4 to 2.5 mm².
- Wires: single or multicore.
- Maximum length: 3000 m.
- Limits to device interconnection:
 - the common ZSI - OUT (Z1) and the output ZSI - OUT (Z2) can be connected to a maximum of 10 upstream device
 - a maximum of 100 downstream devices may be connected to the common ZSI - IN (Z3) and to an input ZSI - IN CR (Z4) or GF (Z5).



Communication architecture



- A** FDM121 (TRV00121)
- B** IFE master (LV434011)
- C** IFE (LV434010)
- D** IFM (TRV00210)
- E** I/O application module (LV434063)
- F** Masterpact NT/NW
- G** Compact NS630b-3200
- H** Compact NSX
- I** ULP termination (TRV00880)
- J** FDM128 (LV434128)
- N** Modbus Termination⁽¹⁾ (VW3A8306DRC)

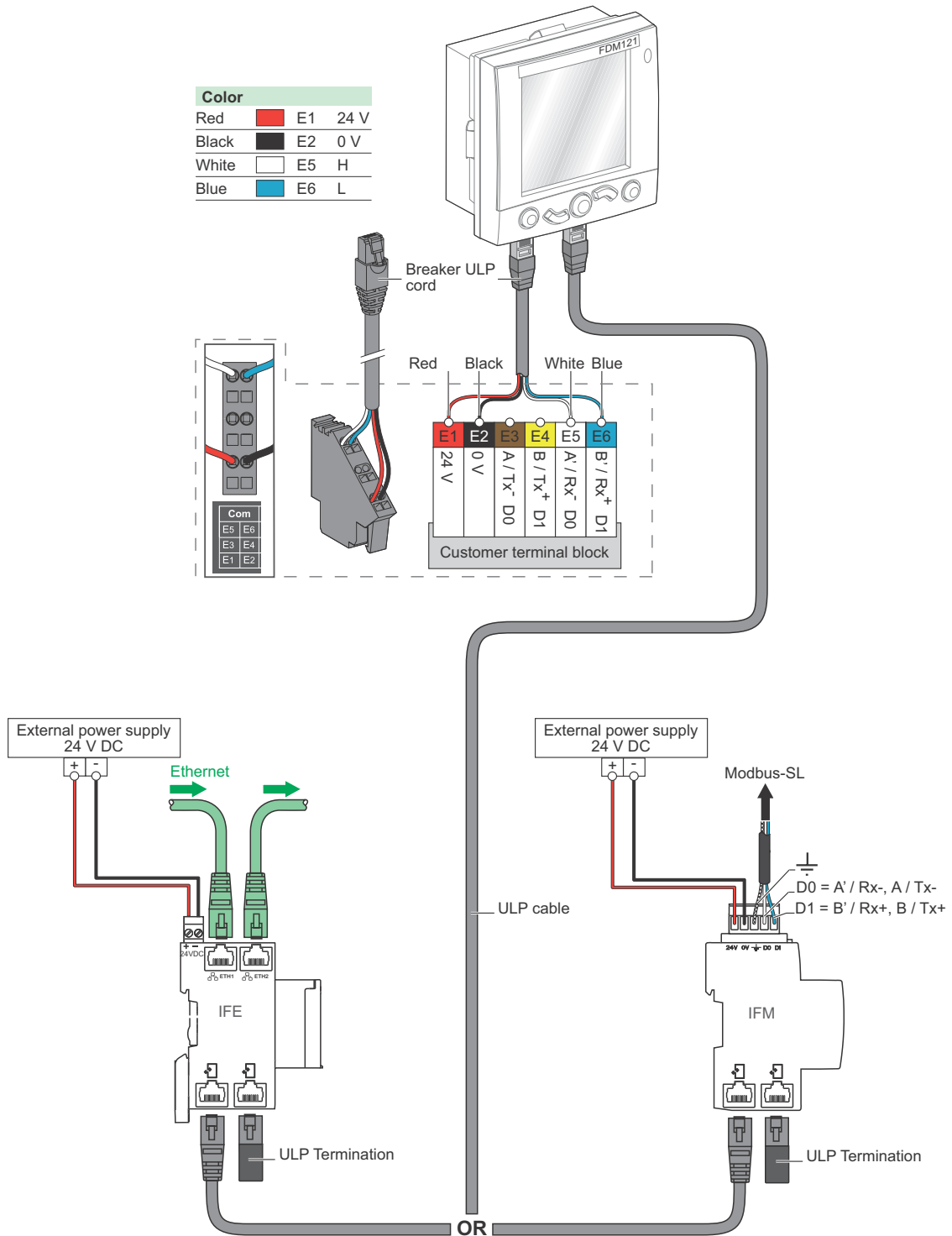
- K** ULP cable
- L** Breaker ULP cord
- M** NSX cord
- Ethernet
- Modbus

⁽¹⁾ Modbus termination is mandatory, see ULP system user guide TRV99101.

Fixed, electrically operated Masterpact NT and NW

Connection to the communication interface module

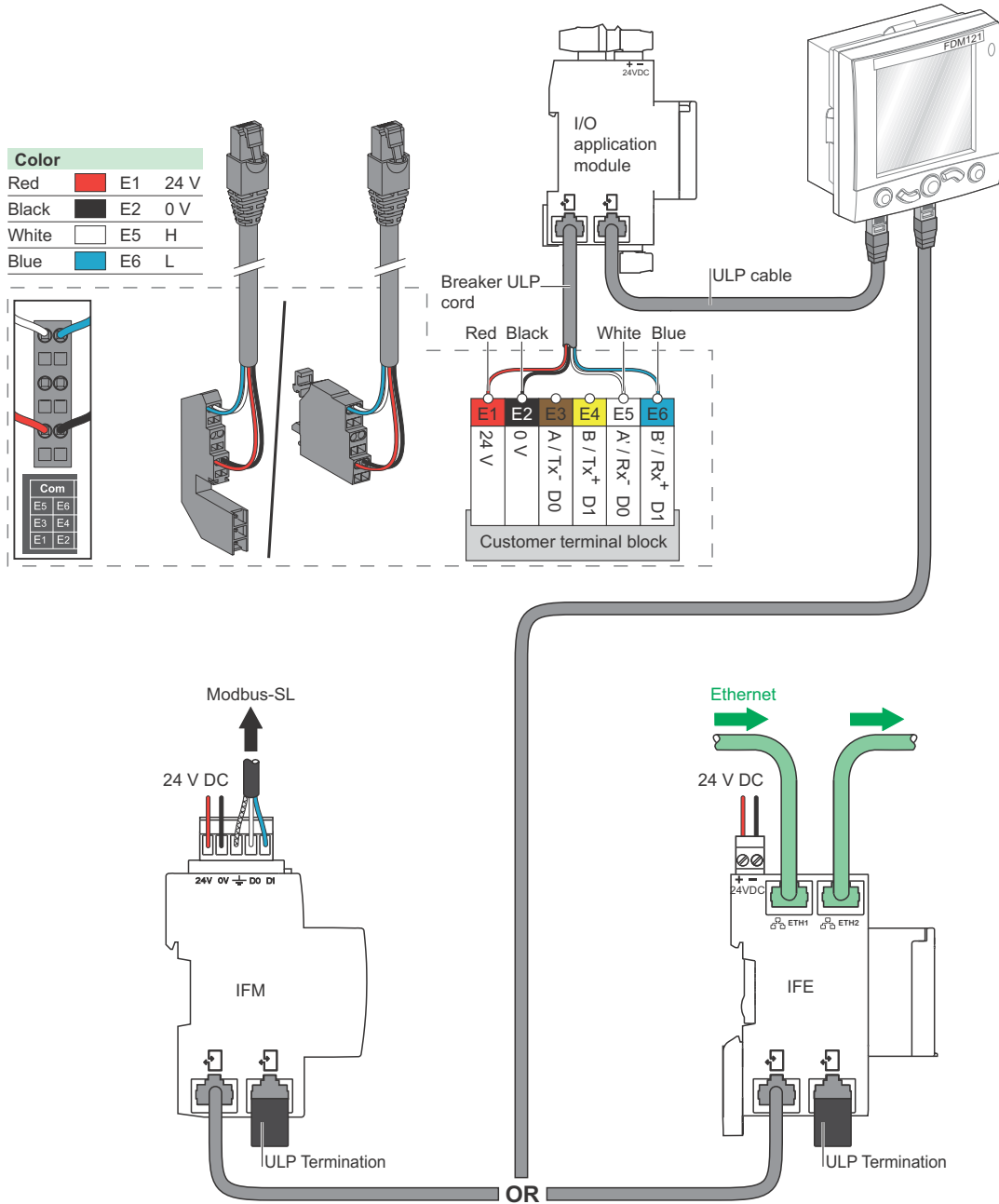
DB416707 eps



Withdrawable Masterpact NT and NW

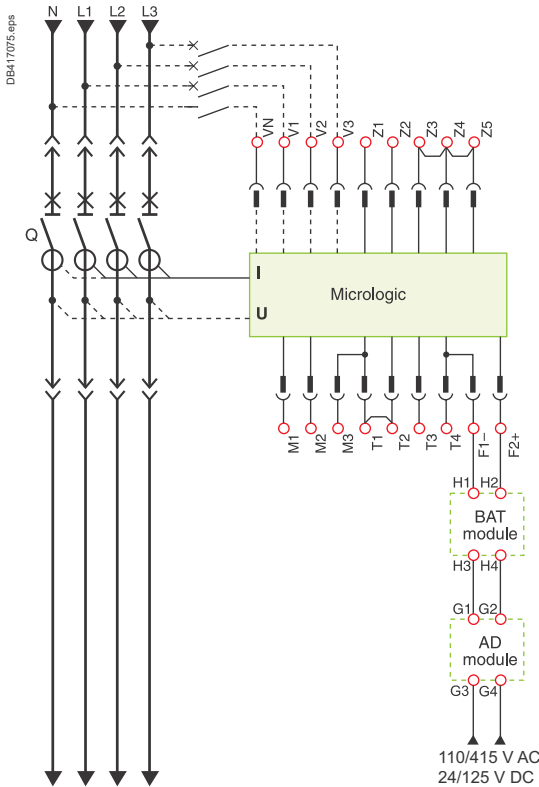
Connection to the I/O and communication interface module

DBA16378.eps



Masterpact NT and NW

24 V DC external power supply AD module



- The 24 V DC external power-supply (AD module) for the Micrologic control unit (F1- F2+) is not required for basic protections LSIG.
- The 24 V DC external power-supply (AD module) for the programmable contact M2C/M6C is required.
- The 24 V DC external power-supply for the BCM ULP communication module (E1-E2) is required. The same 24 V DC external power supply can be used for the communication devices (IFE, IFM, I/O, FDM).
- If the 24 V DC external power supply (AD module) is used to supply Micrologic control unit, this power supply shall be used only for supplying Micrologic control units and M2C/M6C.
- The dedicated AD power supplies shall be used only for the Micrologic trip units. If the COM option is used, a second dedicated 24 V DC external power supply shall be used.
- With Micrologic A/E, it is recommended to connect 24 V DC external power-supply (AD module) to the Micrologic control unit (F1- F2+) in order to keep available the display and the energy metering, even if Current < 20 % In.

Note: in case of using the 24 V DC external power supply (AD module), maximum cable length between 24 V DC (G1, G2) and the control unit (F1-, F2+) must not exceed 10 meters.

The BAT battery module, mounted in series upstream of the AD module, ensures an uninterrupted supply of power if the AD module power supply fails.

The internal voltage taps are connected to the bottom side of the circuit breaker.

With Micrologic P/H, external voltage taps are possible using the PTE option.

With this option, the internal voltage taps are disconnected and the voltage taps are connected to terminals VN, V1, V2, V3.

The PTE option is required for voltages less than 220 V and greater than 690 V (in which case a voltage transformer is compulsory). For three-pole devices, the system is supplied with terminal VN connected only to the control unit (Micrologic P).

When the PTE option is implemented, the voltage measurement input must be protected against short-circuits. Installed as close as possible to the busbars, this protection function is ensured by a P25M circuit breaker (1 A rating) with an auxiliary contact (cat. no. 21104 and 21117).

This voltage measurement input is reserved exclusively for the control unit and must not ever be used to supply other circuits outside the switchboard.

Connection

The maximum length for each conductor supplying power to the trip unit or M6C module is 10 m.

Do not ground F2+, F1-, or power supply output:

- the positive terminal (F2+) on the trip unit must not be connected to earth ground
- the negative terminal (F1-) on the trip unit must not be connected to earth ground
- the output terminals (- and +) of the 24 V DC power supply must not be grounded.

Reduce electromagnetic interference:

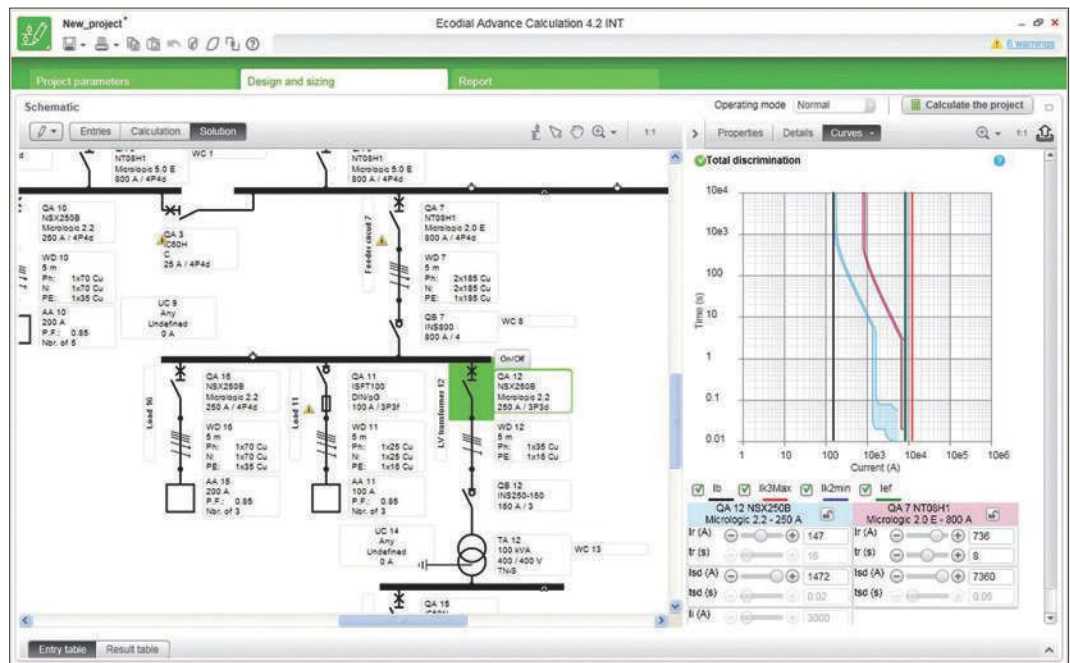
- the input and output wires of the 24 V DC power supply must be physically separated as much as possible
- the 24 V DC wires (output of the 24 V DC power supply) shall be twisted together.
- the 24 V DC wires (output of the 24 V DC power supply) must cross all power cables perpendicularly
- power supply conductors must be cut to length. Do not loop excess conductor.

Ecodial

Ecodial software is dedicated to LV electrical installation calculation in accordance with the IEC60364 international standard or national standards.

This 4th generation, "Ecodial Advance Calculation 4", offers a new ergonomic and new features:

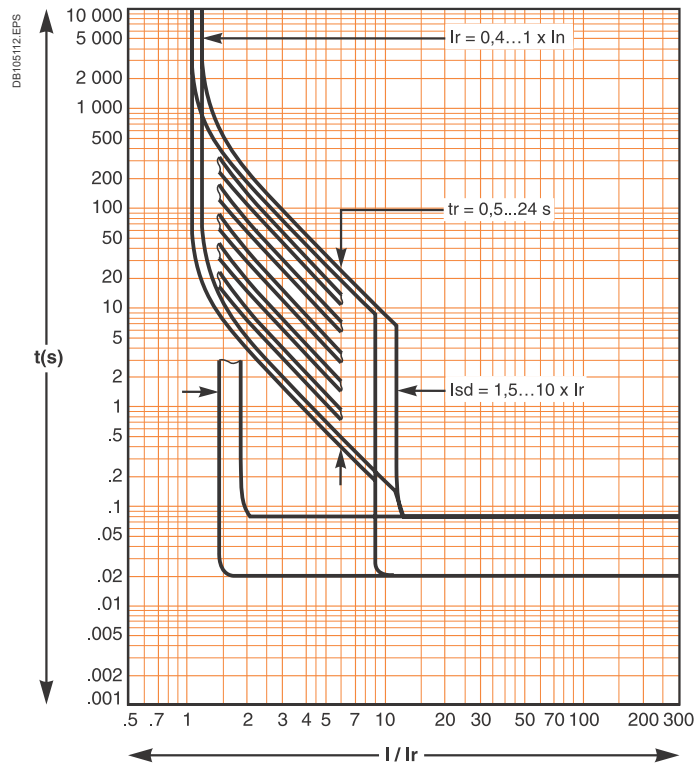
- operating mode that allows easy calculation in case of installation with different type of sources (parallel transformers, back-up generators...)
- discrimination analysis associating curves checking and discrimination tables
- direct access to protection settings including residual current protections
- easy selection of alternate solutions or manual selection of a product.



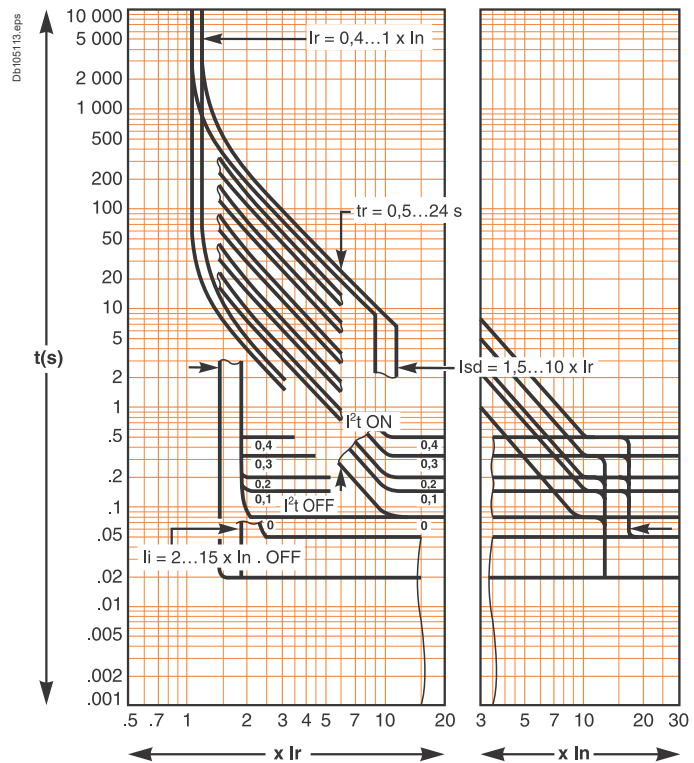
<i>Presentation</i>	2
<i>Functions and characteristics</i>	A-1
<i>Installation recommendations</i>	B-1
<i>Dimensions and connections</i>	C-1
<i>Electrical diagrams</i>	D-1
Tripping curves	E-2
Limitation curves	
Current limiting	E-4
Energy limiting	E-5
<i>Catalogue numbers and order form</i>	F-1

Tripping curves

Micrologic 2.0

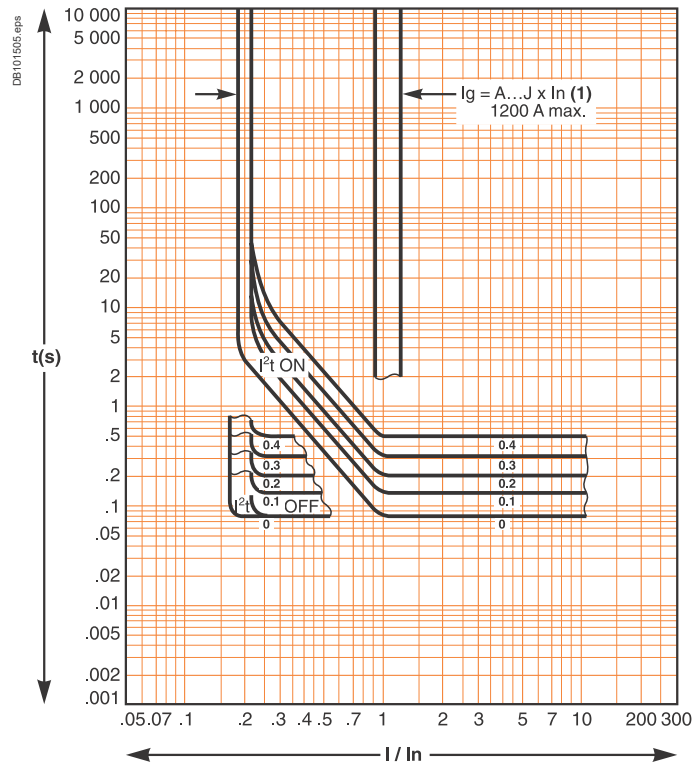


Micrologic 5.0, 6.0, 7.0



Tripping curves

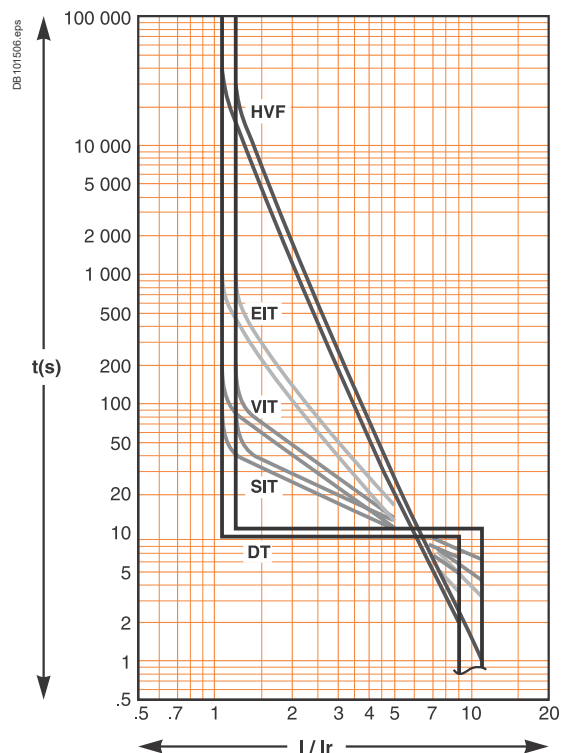
Earth fault protection (Micrologic 6.0)



(1)

$I_g = I_n \times \dots$	A	B	C	D	E	F	G	H	I
$I_n < 400 \text{ A}$	0.3	0.3	0.4	0.5	0.6	0.7	0.8	0.9	1
$400 \text{ A} \leq I_n \leq 1200 \text{ A}$	0.2	0.3	0.4	0.5	0.6	0.7	0.8	0.9	1
$I_n > 1200 \text{ A}$	500	640	720	800	880	960	1040	1120	1200

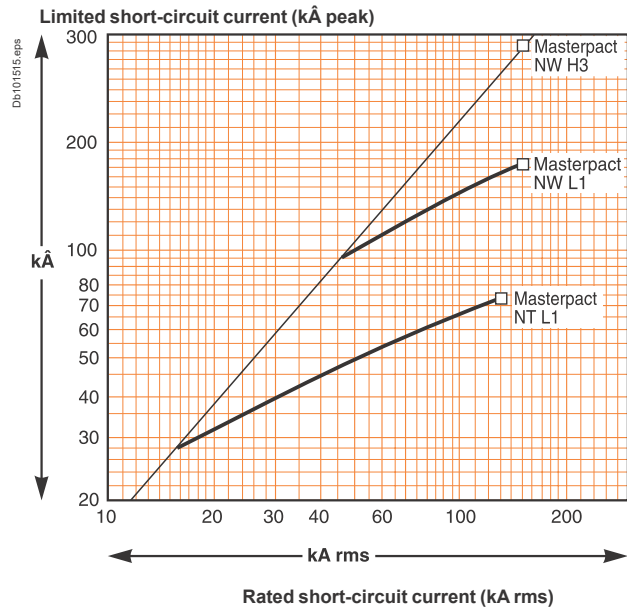
IDMTL curve (Micrologic P and H)



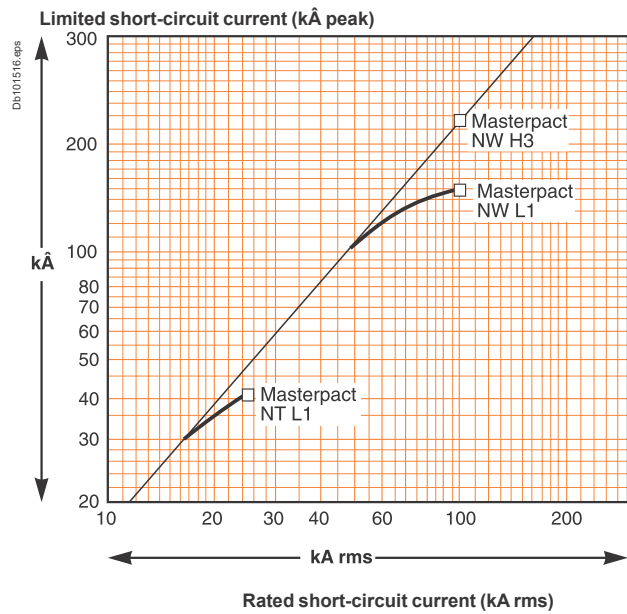
Limitation curves

Current limiting

Voltage 380/415/440 V AC



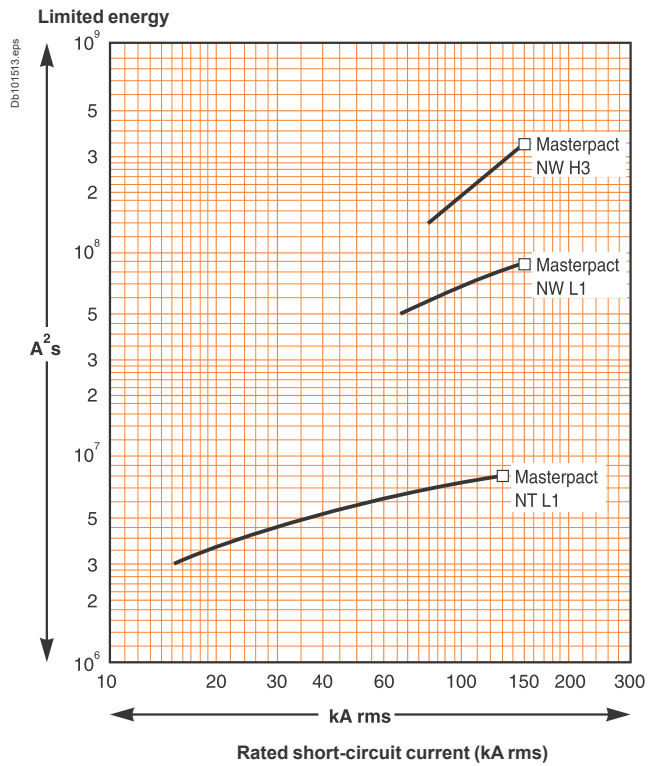
Voltage 660/690 V AC



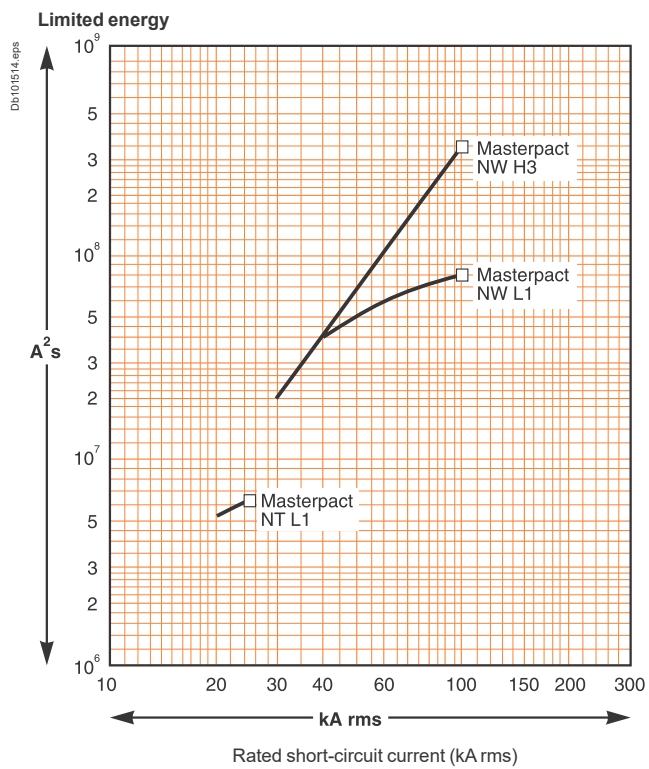
Limitation curves

Energy limiting

Voltage 380/415/440 V AC



Voltage 660/690 V AC



schneider-electric.com

This international site allows you to access all the Schneider Electric Solution and Product information via :

- comprehensive descriptions
- range data sheets
- a download area
- product selectors
- ...

You can also access the information dedicated to your business and get in touch with your Schneider Electric country support.

The screenshot displays the Schneider Electric website interface. At the top left is the Schneider Electric logo with the tagline "the global specialist in energy management". To the right is a search bar and navigation links for "Global", "Home", "Site map", "Contact", and "Français". Below the logo is a horizontal menu with tabs for "Solutions", "Products and Services", "Support", "Your business", and "Company". The "Solutions" tab is active, showing a grid of industry-specific icons: Electric Utilities, Water & Wastewater, Marine, Oil & Gas, Mining, Mineral, Metals, Food & Beverage, Data Centres, Healthcare, Life Sciences, Hotels, Office Buildings, Retail, Energy Efficiency, and Machine Control Solutions. Below this grid is the "EcoStruxure" logo. Underneath, five main solution categories are listed with icons: Power Management, Process & Machines Management, IT / Server Room Management, Building Management, and Security Management. Each category has a list of sub-solutions:

- Power Management**
 - Power Management Systems
 - High Density Metering
 - Energy Tariff Optimization
 - Power Quality Mitigation
 - Local LV/MV Protection & Control
 - Intelligent Power & Motor Control
 - Renewable Energy Conversion
 - EVlink charging solutions for electric vehicles
- Process & Machines Management**
 - Process & Machines Management Systems
 - General Machines Control
 - Packaging Control
 - Material Handling Control
 - Hoisting Control
- IT / Server Room Management**
 - IT / Server Room Management Systems
 - Rack Systems
 - Uninterruptible Power Supply
 - Cooling Control
 - Surveillance
- Building Management**
 - Lighting Control
 - Outdoor Lighting Control
 - HVAC Control
 - Room Control
- Security Management**
 - Security Management Systems
 - Access Control
 - Video Security
 - Fire & Life Safety
 - Intrusion Detection

At the bottom of the page, there is a footer with navigation links: "Home | Solutions | Products and Services | Support | Your business | Company" and copyright information: "© Schneider Electric | Privacy Policy".

<i>Presentation</i>	2
<i>Functions and characteristics</i>	A-1
<i>Dimensions and connections</i>	C-1
<i>Installation recommendations</i>	B-1
<i>Electrical diagrams</i>	D-1
<i>Additional characteristics</i>	E-1
Retrofit solutions (*)	
Connections for fixed devices	F-2
Connections for drawout devices	F-3
Masterpact NT	
Connection	F-4
Micrologic control unit, communication option, accessories	F-5
Remote operation	F-6
Chassis locking and accessories	F-7
Clusters	F-8
Circuit breaker locking and accessories	F-9
Mechanical interlocking for source changeover	F-10
Indication contacts	F-11
Instructions	F-12
Communication, monitoring and control, for NT/NW	F-13
Masterpact NW	
Connection	F-14
Micrologic control unit, communication option, accessories	F-15
Remote operation	F-16
Chassis locking and accessories	F-17
Clusters	F-18
Circuit breaker locking and accessories	F-19
Mechanical interlocking for source changeover	F-20
Indication contacts	F-21
Instructions	F-22
Communication, monitoring and control	F-23
Masterpact NT and NW	F-24

To replace a Masterpact M with a Masterpact NW, order a retrofit device (without connections) and select a set of connectors corresponding to the replaced device.

The Masterpact NW is installed in exactly the same place as the old Masterpact M device, without any modifications required on the switchboard.

Horizontal rear connection

Device to be replaced		Connection to be ordered	
Masterpact M08 to M12			
Type N1/NI			
		3P	4P
Top	3 x	EF548951	4 x EF548951
Bottom	3 x	EF548964	4 x EF548964
Type H1/H2/HI/HF			
Top	3 x	EF548954	4 x EF548954
Bottom	3 x	EF548965	4 x EF548965
Masterpact M16			
Type N1/NI/H1/H2/HI/HF			
Top	3 x	EF548954	4 x EF548954
Bottom	3 x	EF548965	4 x EF548965
Masterpact M20 and M25			
Type N1/NI/H1/H2/HI/HF			
Top	3 x	EF548957	4 x EF548957
Bottom	3 x	EF548958	4 x EF548958
Masterpact M32			
Type H1/H2/HI/HF			
Top	1 x	EF548962	1 x EF548960
Bottom	1 x	EF548961	1 x EF548960

Vertical rear connection

Device to be replaced		Connection to be ordered	
Masterpact M08 to M12			
Type N1/NI			
		3P	4P
Top	3 x	EF548952	4 x EF548952
Bottom	3 x	EF548952	4 x EF548952
Type H1/H2/HI/HF			
Top	3 x	EF548953	4 x EF548953
Bottom	3 x	EF548953	4 x EF548953
Masterpact M16			
Type N1/NI/H1/H2/HI/HF			
Top	3 x	EF548953	4 x EF548953
Bottom	3 x	EF548953	4 x EF548953
Masterpact M20 and M25			
Type N1/NI/H1/H2/HI/HF			
Top	3 x	EF548956	4 x EF548956
Bottom	3 x	EF548956	4 x EF548956
Masterpact M32			
Type H1/H2/HI/HF			
Top	1 x	EF548959	1 x EF548963
Bottom	1 x	EF548959	1 x EF548963

Installation kits

Device to be replaced		kit to be ordered	
Masterpact M08 to M12			
Type N1/NI/H1/H2/HI/HF			
		3P	4P
	1 x	EF548927	1 x EF548927

Power isolation kits (optional)

Device to be replaced		kit to be ordered	
Masterpact M08 to M12			
Type N1/NI/H1/H2/HI/HF			
		3P	4P
	1 x	EF548928	1 x EF548928

Auxiliaries wires strand

Device to be replaced		kit to be ordered	
Masterpact M08 to M12			
Type N1/NI/H1/H2/HI/HF			
		3P	4P
	1 x	EF548930	1 x EF548930

(*) For higher ratings (4000-6300 A) or for other Retrofit solutions, please contact Schneider Electric services.

To replace a Masterpact M with a Masterpact NW, order a retrofit device (without connections) and select a set of connectors corresponding to the replaced device.

The Masterpact NW is installed in exactly the same place as the old Masterpact M device, without any modifications required on the switchboard.

Horizontal rear connection

Device to be replaced		Connection to be ordered	
Masterpact M08 to M12			
Type N1/NI			
		3P	4P
Top	3 x	EF548951	4 x EF548951
Bottom	3 x	EF548964	4 x EF548964
Type H1/H2/HI/HF/L1			
Top	3 x	EF548954	4 x EF548954
Bottom	3 x	EF548965	4 x EF548965
Masterpact M16			
Type N1/NI/H1/H2/HI/HF/L1			
Top	3 x	EF548954	4 x EF548954
Bottom	3 x	EF548965	4 x EF548965
Masterpact M20 and M25			
Type N1/NI/H1/H2/HI/HF			
Top	3 x	EF548957	4 x EF548957
Bottom	3 x	EF548958	4 x EF548958
Masterpact M32 neutral on left-hand side			
Type H1/H2/HI/HF/M20/L1			
Top	1 x	EF548973	1 x EF548976
Bottom	1 x	EF548973	1 x EF548977
Masterpact M32 neutral on right-hand side			
Type H1/H2/HI/HF/M20/L1			
Top	1 x	EF548973	1 x EF548977
Bottom	1 x	EF548973	1 x EF548976

Vertical rear connection

Device to be replaced		Connection to be ordered	
Masterpact M08 to M12			
Type N1/NI			
		3P	4P
Top	3 x	EF548966	4 x EF548966
Bottom	3 x	EF548966	4 x EF548966
Type H1/H2/HI/HF/L1			
Top	3 x	EF548969	4 x EF548969
Bottom	3 x	EF548969	4 x EF548969
Masterpact M16			
Type N1/NI/H1/H2/HI/HF/L1			
Top	3 x	EF548969	4 x EF548969
Bottom	3 x	EF548969	4 x EF548969
Masterpact M20 and M25			
Type N1/NI/H1/H2/HI/HF			
Top	3 x	EF548970	4 x EF548970
Bottom	3 x	EF548970	4 x EF548970
Masterpact M32 and M20L1			
Type H1/H2/HI/HF			
Top	1 x	EF548974	1 x EF548978
Bottom	1 x	EF548974	1 x EF548978

Installation kits

Device to be replaced		kit to be ordered	
Masterpact M08 to M32			
Type N1/NI/H1/H2/HI/HF			
		3P	4P
	1 x	EF548927	1 x EF548927




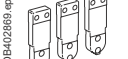



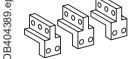
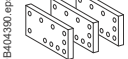
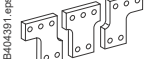
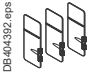
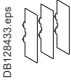

Power isolation kits (optional)

Device to be replaced		kit to be ordered	
Masterpact M08 to M32			
Type N1/NI/H1/H2/HI/HF			
		3P	4P
	1 x	EF548928	1 x EF548928

Auxiliaries wires strand

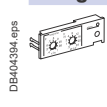
Device to be replaced		kit to be ordered	
Masterpact M08 to M32			
Type N1/NI/H1/H2/HI/HF			
		3P	4P
	1 x	EF548930	1 x EF548930
	1 x	EF548929	1 x EF548929

(*) For higher ratings (4000-6300 A) or for other Retrofit solutions, please contact Schneider Electric services.

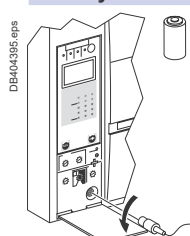
Connection		3P	4P	
Fixed circuit breakers				
Front connection / Replacement kit (3 or 4 parts)				
	Top or bottom	250/630-1600 A	47069	47070
	Installation manual		47102	
Rear connection (vertical or horizontal mounting) / Replacement kit (3 or 4 parts)				
 		250/630-1600 A	33584	33585
	Vert. mounting.	Horiz. mounting.	Installation manual	
			47102	
Drawout circuit breakers				
Front connection / Replacement kit (6 or 8 parts)				
 	Top and bottom	250/630-1600 A	33588	33589
	Installation manual		47102	
Rear connection (vertical or horizontal mounting) / Replacement kit (3 or 4 parts)				
 		250/630-1600 A	33586	33587
	Vert. mounting.	Horiz. mounting.	Installation manual	
			47102	
Connection accessories				
Vertical connection adapters 250/630-1600 A / Replacement kit (3 or 4 parts)				
	For fixed and drawout front-connected circuit breakers		33642	33643
	Installation manual		47102	
Cable lug adapters 250/630-1600 A / Replacement kit (3 or 4 parts)				
	For fixed and drawout front-connected circuit breakers		33644	33645
	Installation manual		47102	
Spreaders / Replacement kit 250/630-1600 A (3 or 4 parts)				
	For fixed and drawout front and rear-connected circuit breakers		33622	33623
	Installation manual		47102	
Interphase barriers / Replacement kit (3 or 4 parts)				
	For fixed and drawout front and rear-connected circuit breakers		33648	33648
	For drawout rear-connected circuit breakers		33768	33768
	Installation manual		47102	
Arc chute screen (1 part)				
	For fixed front-connected circuit breakers		47335	47336
	Installation manual		47102	

Replacement parts for Micrologic control units

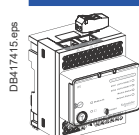
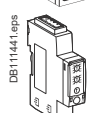
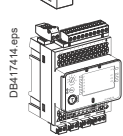
Long-time rating plug (limits setting range for higher accuracy) / 1 part

	Standard	0.4 at 1 x Ir	33542
	Low-setting option	0.4 at 0.8 x Ir	33543
	High-setting option	0.8 at 1 x Ir	33544
	Without long-time protection	off	33545

Battery + cover

	Battery (1 part)		33593
	Cover (1 part)	For Micrologic A, E	33592
		For Micrologic P and H	47067

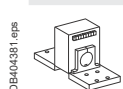
Communication option

	IFE	Ethernet interface LV breaker	LV434010
		Ethernet interface for LV breakers and gateway	LV434011
		IFM Modbus-SL interface module	TRV00210
		I/O application module	LV434063
		6 wires terminals drawout (1 part)	33099
		6 wires terminals fixed (1 part)	47075
		User guide IFE	DOCA0084EN-00
		User guide I/O application module	DOCA0055EN-00


Accessories

External sensors

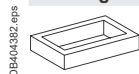
External sensor for earth-fault protection (TCE) / 1 part

	Sensor rating	400/1600 A	33576
---	---------------	------------	-------

Source ground return (SGR) earth-fault protection / 1 part

	External sensor (SGR)		33579
	MDGF summing module		48891

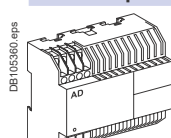
Rectangular sensor for earth-leakage protection + Vigi cable / 1 part

	280 mm x 115 mm		33573
---	-----------------	--	-------

Vigi cable or external voltage cable / 1 part

Vigi cable or external voltage cable (1 part)	47090
---	-------


External power supply module (AD) / 1 part

	24-30 V DC	54440
	48-60 V DC	54441
	100-125 V DC	54442
	110-130 V AC	54443
	200-240 V AC	54444
	380-415 V AC	54445

Battery module (BAT) / 1 part

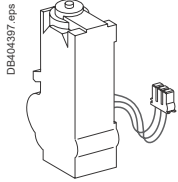
	1 battery	24 V DC	54446
---	-----------	---------	-------

Test equipments / 1 part

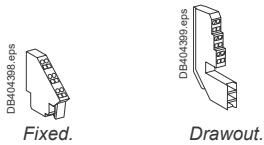
	Hand held test kit (HHTK)	33594
	Full function test kit (FFTK)	33595
	Test report edition come from FFTK	34559
	FFTK test cable 2 pin for STR trip unit	34560
	FFTK test cable 7 pin for Micrologic trip unit	33590

Remote operation

Gear motor



MCH (1 part)			
AC 50/60 Hz	48 V		33186
	100/130 V		33176
	200/240 V		33177
	277/415 V		33179
	440/480 V		33179
	+ resistor		33193
DC	24/30 V		33185
	48/60 V		33186
	100/125 V		33187
	200/250 V		33188
Terminal block (1 part)	For fixed circuit breaker		47074
	For drawout circuit breaker		33098

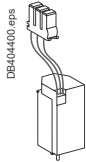


Fixed.

Drawout.

Installation manual			47103
---------------------	--	--	-------

Closing and opening release (XF or MX)



Standard coil (1 part)			
AC 50/60 Hz	12 V DC		33658
	24/30 V DC, 24 V AC		33659
	48/60 V DC, 48 V AC		33660
	100/130 V AC/DC		33661
	200/250 V AC/DC		33662
	277 V AC		33663
DC	380/480 V AC		33664
Communicating coil (1 part)			
AC 50/60 Hz	12 V DC		33032
	24/30 V DC, 24 V AC		33033
	48/60 V DC, 48 V AC		33034
	100/130 V AC/DC		33035
	200/250 V AC/DC		33036
	277 V AC		33037
DC	380/480 V AC		33038
Terminal block (1 part)	For fixed circuit breaker		47074
	For drawout circuit breaker		33098

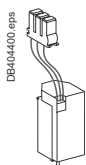


Fixed.

Drawout.

Installation manual			47103
---------------------	--	--	-------

Undervoltage release MN



Undervoltage release (1 part)			
AC 50/60 Hz	24/30 V DC, 24 V AC		33668
	48/60 V DC, 48 V AC		33669
	100/130 V AC/DC		33670
	200/250 V AC/DC		33671
	380/480 V AC		33673
DC			
Terminal block (1 part)	For fixed circuit breaker		47074
	For drawout circuit breaker		33098

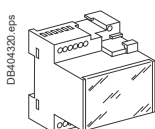


Fixed.

Drawout.

Installation manual			47103
---------------------	--	--	-------

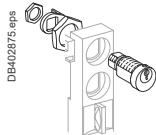
MN delay unit



MN delay unit (1 part)			
AC 50/60 Hz	48/60 V AC/DC	R (non-adjustable)	Rr (adjustable)
		33684	33681
		33685	33682
DC	100/130 V AC/DC		33683
DC	200/250 V AC/DC		33683
DC	380/480 V AC/DC		33683
Installation manual			47103

Chassis locking

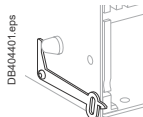
"Disconnected" position locking / 1 part



DB402875.eps

By padlocks		
	VCPO	Standard
By Profalux keylocks		
Profalux	1 lock with 1 key + adaptation kit	64909
	2 locks 1 key + adaptation kit	64910
	2 locks 2 different keys + adaptation kit	64911
1 keylock Profalux (without adaptation kit):	identical key not identified combination	33173
	identical key identified 215470 combination	33174
	identical key identified 215471 combination	33175
By Ronis keylocks		
Ronis	1 lock with 1 key + adaptation kit	64912
	2 locks 1 key + adaptation kit	64913
	2 locks 2 different keys + adaptation kit	64914
1 keylock Ronis (without adaptation kit):	identical key not identified combination	33189
	identical key identified EL24135 combination	33190
	identical key identified EL24153 combination	33191
	identical key identified EL24315 combination	33192
Adaptation kit (without keylock):	adaptation kit Profalux	33769
	adaptation kit Ronis	33770
	adaptation kit Castell	33771
	adaptation kit Kirk	33772
Installation manual		47104

Door interlock / 1 part



DB404401.eps

Right and left-hand side of chassis (VPECD or VPECG)	33172
Installation manual	47104

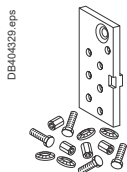
Racking interlock / 1 part



DB404402.eps

Racking interlock (VPOC)	33788
Installation manual	47104

Breaker mismatch protection / 1 part

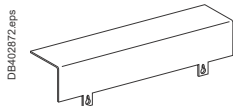


DB404529.eps

Breaker mismatch protection (VDC)	33767
Installation manual	47104

Chassis accessories

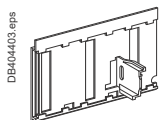
Auxiliary terminal shield (CB) / 1 part



DB402872.eps

Terminal shield	3P	33763
	4P	33764
Installation manual		47104

Safety shutters + locking / 1 part

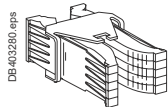


DB404403.eps

Safety shutters (VO)	3P	33765
	4P	33766
Installation manual		47104

Note: the locking of safety shutters is integrated.

Clusters



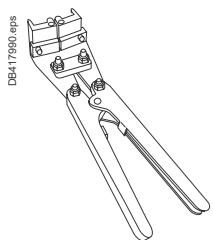
1 disconnecting contact cluster for chassis (see table below) 1 part

64906

Table : number of clusters required for the different chassis models

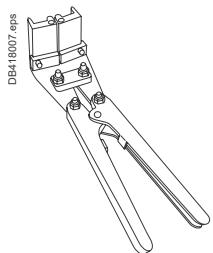
Chassis rating (A)	Masterpact NT	
	3P	4P
250	12	18
630	12	18
800	12	18
1000	12	18
1250	12	18
1600	18	24

Note: the minimum order is 6 parts.

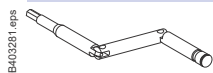


Set of 2 clusters fitters for 2 and 3 clusters

47554



Racking handle / 1 part



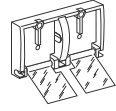
Racking handle

47098

Circuit breaker locking

Pushbutton locking device / 1 part

DB404337.eps

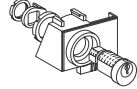


By padlocks 33897

Installation manual 47103

OFF position locking / 1 part

DB402862.eps



By padlocks + BPFE support 47514

By Profalux keylocks + BPFE support

Profalux 1 lock with 1 key + adaptation kit 64918

2 locks 1 key + adaptation kit 64919

1 keylock Profalux (without adaptation kit): identical key not identified combination 33173

identical key identified 215470 combination 33174

identical key identified 215471 combination 33175

By Ronis keylocks + BPFE support

Ronis 1 lock with 1 key + adaptation kit 64920

2 locks 1 key + adaptation kit 64921

1 keylock Ronis (without adaptation kit): identical key not identified combination 33189

identical key identified EL24135 combination 33190

identical key identified EL24153 combination 33191

identical key identified EL24315 combination 33192

Adaptation kit (without keylock): adaptation kit Profalux 47515

adaptation kit Ronis 47516

adaptation kit Kirk 47517

adaptation kit Castell 47518

Installation manual 47103

Other circuit breaker accessories

Mechanical operation counter / 1 part

DB125817.eps

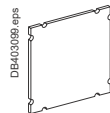
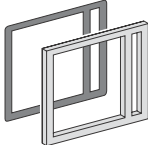


Operation counter CDM 33895

Installation manual 47103

Escutcheon and accessories / 1 part

DB403097.eps

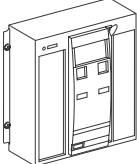


	Fixed	Drawout
Escutcheon	33718	33857
Transparent cover (IP54)		33859
Escutcheon blanking plate		33858

Escutcheon Cover Blanking plate Installation manual 47103

Front cover (3P / 4P) / 1 part

DB404404.eps



Front cover 47094

Installation manual 47103

Spring charging handle / 1 part

DB404405.eps

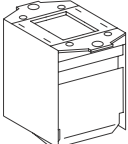


Spring charging handle 47092

Installation manual 47103

Arc chute for Masterpact NT / 1 part

DB404406.eps



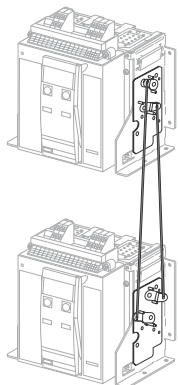
	3P		4P	
Type H1/H2/HA	3 x	LV846737SP	4 x	LV846737SP
Type L1	3 x	47095	4 x	47095

Installation manual 47103

Mechanical interlocking for source changeover

Interlocking using connecting rods

DB40407.eps



Complete assembly with 2 adaptation fixtures + rods

2 Masterpact NT fixed devices

33912

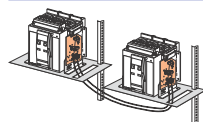
2 Masterpact NT drawout devices

33913

Note: the installation manual is enclosed.

Interlocking using cables ⁽¹⁾

DE418840.eps



Choose 2 adaptation fixtures (1 for each breaker) + 1 set of cables

1 adaptation fixture for Masterpact NT fixed devices

33200

1 adaptation fixture for Masterpact NT drawout devices

33201

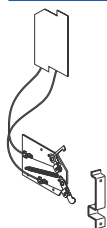
1 set of 2 cables

33209

(1) Can be used with any combination of NT or NW, fixed or drawout devices.

Cable-type door interlock

DB402887.eps



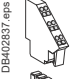






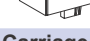


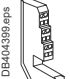

1 complete assembly for Masterpact NT fixed devices

33920

1 complete assembly for Masterpact NT drawout devices

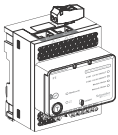
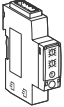

33921

Note: the installation manual is enclosed.

Indication contacts			
ON/OFF indication contacts (OF) / 1 part			
 	Changeover contacts (6 A - 240 V)	47076	
	1 low-level OF to replace 1 standard OF (4 max.)	47077	
	Wiring	47074	
		For fixed circuit breaker	33098
		For drawout circuit breaker	47103
“Fault trip” indication contacts (SDE) / 1 part			
 	1 additional SDE (6 A - 240 V)	47078	
	1 additional low-level SDE	47079	
	Wiring	47074	
		For fixed circuit breaker	33098
		For drawout circuit breaker	47103
“Ready to close” contact (1 max.) / 1 part			
 	1 changeover contact (6 A - 240 V)	PF	
	1 low-level changeover contact	47080	
	Wiring	47081	
		For fixed circuit breaker	47074
		For drawout circuit breaker	33098
	Installation manual	47103	
Electrical closing pushbutton / 1 part			
 	1 pushbutton	BPFE	
		64917	
	Installation manual	47103	
Carriage switches (connected / disconnected / test position) / 1 part			
 	Changeover contacts (6 A - 240 V)		
	1 connected position contact (3 max.)	33170	
	1 test position contact (1 max.)	33170	
	1 disconnected position contact (2 max.)	33170	
	And/or low-level changeover contacts		
	1 connected position contact (3 max.)	33171	
	1 test position contact (1 max.)	33171	
	1 disconnected position contact (2 max.)	33171	
Auxiliary terminals for chassis alone			
 	3 wire terminal (1 part), terminal block (1 part)	33098	
	Jumpers (10 parts)	47900	
	Installation manual	47104	

Instructions		
Chassis accessories		47104
Circuit breaker accessories		47103
Fixed and drawout circuit breaker		47102
Micrologic user manual	20/50 (French)	33076
	20/50 (English)	33077
	2A/7A (French)	33079
	2A/7A (English)	33080
	2E/6E (French)	33079
	2E/6E (English)	33080
	5P/7P (French)	33082
	5P/7P (English)	33083
	5H/7H (French)	33085
	5H/7H (English)	33086
NT user manual	French	47106
	English	47107
Modbus communication notice for manual		33088

Communication option

DB417415.eps 	IFE	Ethernet interface for LV breaker	LV434010
		Ethernet interface for LV breakers and gateway	LV434011
DB11441.eps 	IFM Modbus-SL interface module		TRV00210
	I/O application module		LV434063
DB417414.eps 	6 wires terminals drawout (1 part)		47850
	6 wires terminals fixed (1 part)		47075
	User guide IFE		DOCA0084EN-00
	User guide I/O application module		DOCA0055EN-00

Monitoring and control




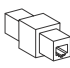
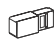
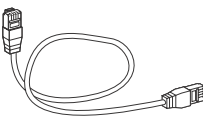
ULP display module ⁽¹⁾

DB11440.eps 	Switchboard front display module FDM121		TRV00121
	FDM mounting accessory (diameter 22 mm)		TRV00128

Ethernet display module

DB417489.eps 	Switchboard front display module FDM128		LV434128
--	---	--	----------

ULP wiring accessories

DB127385.eps 	Breaker ULP cord L = 0.35 m		LV434195
	Breaker ULP cord L = 1.3 m		LV434196
	Breaker ULP cord L = 3 m		LV434197
DB115921.eps 	10 stacking connectors for communication interface modules		TRV00217
DB111440.eps 	10 Modbus line terminators		VW3A8306DRC ⁽²⁾
DB115923.eps 	5 RJ45 connectors female/female		TRV00870
DB11444.eps 	10 ULP line terminators		TRV00880
DB111445.eps 	10 RJ45/RJ45 male cord L = 0.3 m		TRV00803
	10 RJ45/RJ45 male cord L = 0.6 m		TRV00806
	5 RJ45/RJ45 male cord L = 1 m		TRV00810
	5 RJ45/RJ45 male cord L = 2 m		TRV00820
	5 RJ45/RJ45 male cord L = 3 m		TRV00830
	1 RJ45/RJ45 male cord L = 5 m		TRV00850

⁽¹⁾ For measurement display with Micrologic A, E, P and H.

⁽²⁾ See Telemecanique catalogue.

Connection

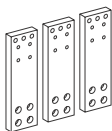
3P

4P

Fixed circuit breakers

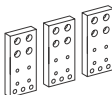
Front connection / Replacement kit (3 or 4 parts)

DB404375.eps



800-1600 A	Top	47990	47991
2000/3200 A	Top	47992	47993

DB404408.eps

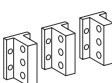


800-1600 A	Bottom	47932	47933
2000/3200 A	Bottom	47942	47943

Installation manual		47950	
---------------------	--	-------	--

Rear connection (vertical or horizontal mounting) / Replacement kit (3 or 4 parts)

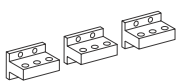
DB404366.eps



800-2000 A	Vertical	47964	47965
	Horizontal	47964	47965
2500/3200 A	Vertical	47966	47967
	Horizontal	47966	47967

Vertical mounting

DB404367.eps



4000 A	Vertical	47968	47969
	Horizontal	47970	47971
4000b/5000 A	Vertical	2x 47966	2x 47967
	Horizontal	2x 47966	2x 47967

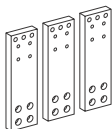
Horizontal mounting

6300 A	Vertical	2x 47968	2x 47969
Installation manual		47950	

Drawout circuit breakers

Front connection / Replacement kit (3 or 4 parts)

DB404373.eps

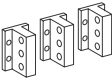


800-1600 A	Top or bottom	47960	47961
2000/3200 A	Top or bottom	47962	47963

Installation manual		47950	
---------------------	--	-------	--

Rear connection (vertical or horizontal mounting) / Replacement kit (3 or 4 parts)

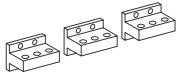
DB404366.eps



800-2000 A types N1/H1/H2	Vertical	47964	47965
	Horizontal	47964	47965
800-1600 A types H3/L1	Vertical	47966	47967
	Horizontal	47966	47967

Vertical mounting

DB404367.eps



2000/3200 A types H1/H2	Vertical	47966	47967
	Horizontal	47966	47967
4000 A	Vertical	47968	47969
	Horizontal	47970	47971

Horizontal mounting

4000b/5000 A	Vertical	2x 47966	2x 47967
	Horizontal	2x 47966	2x 47967
6300 A	Vertical	2x 47968	2x 47969
Installation manual		47950	

Connection accessories

3P

4P

Disconnectable front-connection adapter for fixed circuit breaker (3 or 4 parts)

DB404408.eps



DB418156.eps



1600 A	48464	48466
2000/3200 A	48465	48467

Installation manual	Notice inside the kit
---------------------	-----------------------

Interphase barriers / Replacement kit (3 parts)

DB404368.eps



For fixed rear-connected circuit breaker	48599	48599
For drawout rear-connected circuit breaker	48600	48600

Installation manual	47950
---------------------	-------

Additional support brackets for mounting on a backplate

DB404389.eps



For fixed rear-connected circuit breaker (2 parts)	47829
--	-------

Grounding kit KTM

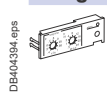
DB414775.eps



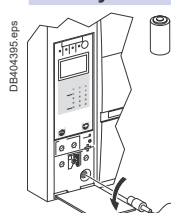
Grounding kit for Masterpact NW fixed	Side plate kit	48556
	Device earthing kit	48557
	Grounding kit for Masterpact NW drawout	48557

Replacement parts for Micrologic control units


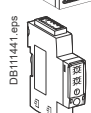
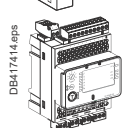
Long-time rating plug (limits setting range for higher accuracy) / 1 part

	Standard	0.4 at 1 x Ir	33542
	Low-setting option	0.4 at 0.8 x Ir	33543
	High-setting option	0.8 at 1 x Ir	33544
	Without long-time protection	off	33545

Battery + cover

	Battery (1 part)		33593
	Cover (1 part)	For Micrologic A, E	33592
		For Micrologic P and H	47067


Communication option

	IFE	Ethernet interface for LV breaker	LV434010
		Ethernet interface for LV breakers and gateway	LV434011
	IFM Modbus-SL interface module		TRV00210
	I/O application module		LV434063
	User guide IFE		DOCA0084EN-00
	User guide I/O application module		DOCA0055EN-00


Accessories

External sensors


External sensor for earth-fault protection (TCE) / 1 part

	Sensor rating	400/2000 A	34035
		1000/4000 A	34036
		4000/6300 A	48182

Source ground return (SGR) earth-fault protection / 1 part

	External sensor (SGR)		33579
	MDGF summing module		48891

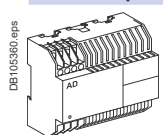
Rectangular sensor for earth-leakage protection + Vigi cable / 1 part (up to 3200 A)

	280 mm x 115 mm		33573
	470 mm x 160 mm		33574

Vigi cable or external voltage cable / 1 part

Vigi cable or external voltage cable	47090
--------------------------------------	-------

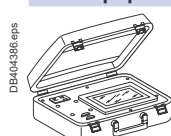
External power supply module (AD) / 1 part

	24-30 V DC	54440
	48-60 V DC	54441
	100-125 V DC	54442
	110-130 V AC	54443
	200-240 V AC	54444
	380-415 V AC	54445

Battery module (BAT) / 1 part

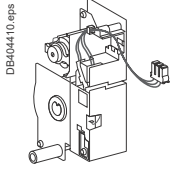
	1 battery	24 V DC	54446
---	-----------	---------	-------

Test equipments / 1 part

	Hand held test kit (HHTK)	33594
	Full function test kit (FFTK)	33595
	Test report edition come from FFTK	34559
	FFTK test cable 2 pin for STR trip unit	34560
	FFTK test cable 7 pin for Micrologic trip unit	33590

Remote operation

Gear motor

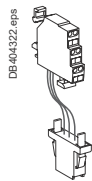


MCH (1 part)

AC 50/60 Hz	48 V	47889
	100/130 V	47893
	200/240 V	47894
	250/277 V	47895
	380/415 V	47896
	440/480 V	47897
DC	24/30 V	47888
	48/60 V	47889
	100/125 V	47890
	200/250 V	47891
Terminal block (1 part)	For fixed circuit breaker	47074
	For drawout circuit breaker	47849



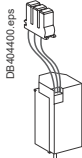
Fixed.



Drawout.

Installation manual	47951
---------------------	-------

Closing and opening release (XF or MX)



Standard coil (1 part)

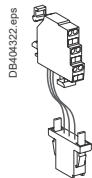
AC 50/60 Hz	12 V DC	33658
	24/30 V DC, 24 V AC	33659
DC	48/60 V DC, 48 V AC	33660
	100/130 V AC/DC	33661
	200/250 V AC/DC	33662
	277 V AC	33663
	380/480 V AC	33664

Communicating coil (1 part)

AC 50/60 Hz	12 V DC	33032
	24/30 V DC, 24 V AC	33033
DC	48/60 V DC, 48 V AC	33034
	100/130 V AC/DC	33035
	200/250 V AC/DC	33036
	277 V AC	33037
	380/480 V AC	33038
	Terminal block (1 part)	For fixed circuit breaker
	For drawout circuit breaker	47849



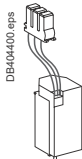
Fixed.



Drawout.

Installation manual	47951
---------------------	-------

Undervoltage release MN

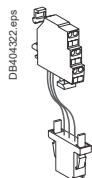


Undervoltage release (1 part)

AC 50/60 Hz	24/30 V DC, 24 V AC	33668
	48/60 V DC, 48 V AC	33669
DC	100/130 V AC/DC	33670
	200/250 V AC/DC	33671
	380/480 V AC	33673
	Terminal block (1 part)	For fixed circuit breaker
	For drawout circuit breaker	47849



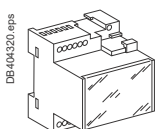
Fixed.



Drawout.

Installation manual	47951
---------------------	-------

MN delay unit



MN delay unit (1 part)

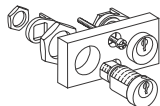
		R (non-adjustable)	Rr (adjustable)
AC 50/60 Hz	48/60 V AC/DC		33680
	100/130 V AC/DC	33684	33681
DC	200/250 V AC/DC	33685	33682
	380/480 V AC/DC		33683

Installation manual	47951
---------------------	-------

Chassis locking

"Disconnected" position locking / 1 part

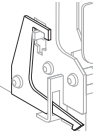
DB404325 eps



By padlocks		
	VCPO	Standard
By Profalux keylocks		
Profalux	1 lock with 1 key + adaptation kit	64934
	2 locks 1 key + adaptation kit	64935
	2 locks 2 different keys + adaptation kit	64936
1 keylock Profalux (without adaptation kit):	identical key not identified combination	33173
	identical key identified 215470 combination	33174
	identical key identified 215471 combination	33175
By Ronis keylocks		
Ronis	1 lock with 1 key + adaptation kit	64937
	2 locks 1 key + adaptation kit	64938
	2 locks 2 different keys + adaptation kit	64939
1 keylock Ronis (without adaptation kit):	identical key not identified combination	33189
	identical key identified EL24135 combination	33190
	identical key identified EL24153 combination	33191
	identical key identified EL24315 combination	33192
Adaptation kit (without keylock):	adaptation kit Profalux / Ronis	48564
	adaptation kit Kirk	48565
	adaptation kit Castell	48566
Installation manual		47952

Door interlock / 1 part

DB404326 eps

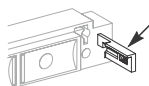


Right and left-hand side of chassis (VPECD or VPECG)	47914
--	-------

Installation manual	47952
---------------------	-------

Racking interlock

DB404327 eps

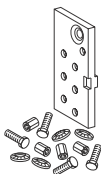


5 parts	64940
---------	-------

Installation manual	47952
---------------------	-------

Breaker mismatch protection / 1 part

DB404329 eps



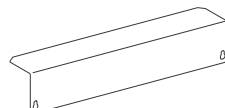
Breaker mismatch protection (VDC)	33767
-----------------------------------	-------

Installation manual	47952
---------------------	-------

Chassis accessories

Auxiliary terminal shield (CB) / 1 part

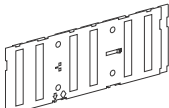
DB404331 eps



800/4000 A	3P	64942
	4P	48596
4000b/6300 A	3P	48597
	4P	48598

Safety shutters + locking block / 1 part

DB404332 eps



800/4000 A	3P	48721
	4P	48723
4000b/6300 A	3P	48722
	4P	48724
Installation manual		47952

Shutter locking block (for replacement) / 1 part

DB404333 eps



2 parts for 800/4000 A	48591
------------------------	-------

Installation manual	47952
---------------------	-------

Earthing kit for chassis

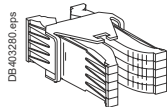
3P	4P
----	----

Types for N1/H1/NA/HA

48433	48434
-------	-------

Note: the installation manual is enclosed.

Clusters



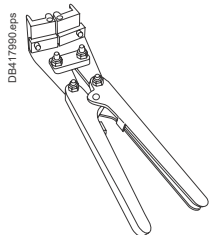
1 disconnecting contact cluster for chassis (see table below) (part 1)

64906

Table : number of clusters required for the different chassis models

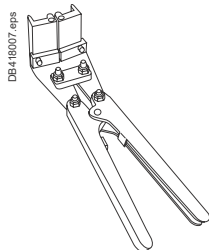
Chassis rating (A)	Masterpact NW 3P				Masterpact NW 4P			
	N1	H1/H2	H3	L1	N1	H1/H2	H3	L1
250		12 (H1)						
630	6	12		24	8	16		32
800	6	12		24	8	16		32
1000	6	12		24	8	16		32
1250	6	12		24	8	16		32
1600	12	12		24	16	16		32
2000		24	24	42		32	32	56
2500		24	24			32	32	
3200		36	36			48	48	
4000		42	42			56	56	
4000b		72				96		
5000		72				96		
6300		72				96		

Note: the minimum order is 6 parts.

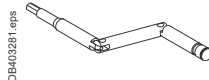


Set of 2 clusters fitters for 2 and 3 clusters

47554



Racking handle

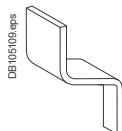


Racking handle

47944

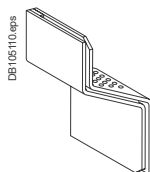
DC rear connection

Serial connection kit



For NW10/20 DC

48642



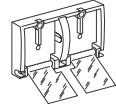
For NW40 DC

48643

Circuit breaker locking

Pushbutton locking device / 1 part

DB40437.eps

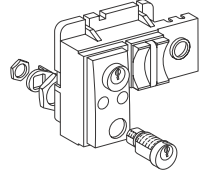


By padlocks 48536

Installation manual 47951

OFF position locking / 1 part

DB40411.eps



By padlocks 48539

By Profalux keylocks

Profalux	1 lock with 1 key + adaptation kit	64928
	2 locks 1 key + adaptation kit	64929
	2 locks 2 different keys + adaptation kit	64930
1 keylock Profalux (without adaptation kit):	identical key not identified combination	33173
	identical key identified 215470 combination	33174
	identical key identified 215471 combination	33175

By Ronis keylocks

Ronis	1 lock with 1 key + adaptation kit	64931
	2 locks 1 key + adaptation kit	64932
	2 locks 2 different keys + adaptation kit	64933
1 keylock Ronis (without adaptation kit):	identical key not identified combination	33189
	identical key identified EL24135 combination	33190
	identical key identified EL24153 combination	33191
	identical key identified EL24315 combination	33192
Adaptation kit (without keylock):	adaptation kit Profalux / Ronis	64925
	adaptation kit Kirk	64926
	adaptation kit Castell	64927
Installation manual		47951

Other circuit breaker accessories

Mechanical operation counter / 1 part

DB12617.eps

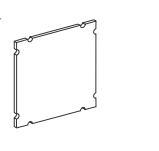
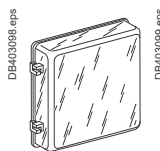
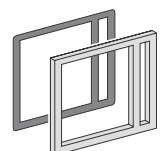


Operation counter CDM 48535

Installation manual 47951

Escutcheon and accessories / 1 part

DB40397.eps

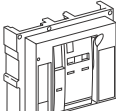


	Fixed	Drawout
Escutcheon	48601	48603
Transparent cover (IP 54)		48604
Escutcheon blanking plate	48605	48605

Escutcheon Cover Blanking plate Installation manual 47951

Front cover (3P / 4P) / 1 part

DB40412.eps



Front cover 47939

Installation manual 47951

Spring charging handle / 1 part

DB40413.eps

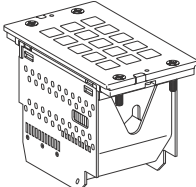


Spring charging handle 47940

Installation manual 47951

Arc chute for Masterpact NW / 1 part

DB40414.eps

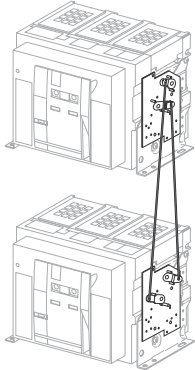


		3P	4P
Type N1/NA/HF	3 x	47935	4 x 47935
Type H1/H2/HA (NW08 to NW40)	3 x	47935	4 x 47935
Type H1/H2/HA (NW40b to NW63)	6 x	47936	8 x 47936
Type H3/H10/HA10	3 x	47936	4 x 47936
Type L1	3 x	47937	4 x 47937
Type NW DC	3 x	47934	4 x 47934
Installation manual			47951

Mechanical interlocking for source changeover

Interlocking of 2 devices using connecting rods

DB404310.eps



Complete assembly with 2 adaptation fixtures + rods

2 Masterpact NW fixed devices

48612

2 Masterpact NW drawout devices

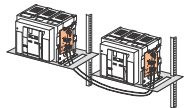
48612

Can be used with 1 NW fixed + 1 NW drawout.

Note: the installation manual is enclosed.

Interlocking of 2 devices using cables (*)

DB416746.eps



Choose 2 adaptation sets (1 for each device + 1 set of cables)

1 adaptation fixture for Masterpact NW fixed devices

47926

1 adaptation fixture for Masterpact NW drawout devices

47926

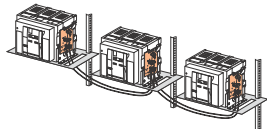
1 set of 2 cables

33209

(*) Can be used with any combination of NT or NW, fixed or drawout devices.

Interlocking of 3 devices using cables

DB416748.eps



Choose 3 adaptation (including 3 adaptation fixtures + cables)

3 sources, only 1 device closed, fixed or drawout devices

48610

2 sources + 1 coupling, fixed or drawout devices

48609

2 normal + 1 replacement source, fixed or drawout devices

48608

Cable-type door interlock

1 complete assembly for Masterpact NW fixed or drawout device

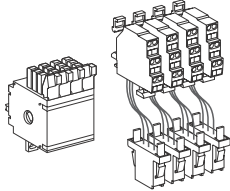
48614

Note: the installation manual is enclosed.

Indication contacts

ON/OFF indication contacts (OF) / 12 parts

DB404321.eps

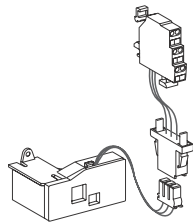


1 additional block of 4 contacts	64922
Wiring	For fixed circuit breaker 47074 For drawout circuit breaker 47849

Installation manual	47951
---------------------	-------

"Fault trip" indication contacts (SDE) / 1 part

DB404323.eps

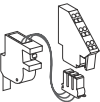


Changeover contact (SDE)	6 A - 240 V Low-level	47915 47916
Wiring	For fixed circuit breaker For drawout circuit breaker	47074 47849

Installation manual	47951
---------------------	-------

"Ready to close" contact (1 max.) / 1 part

DB404415.eps

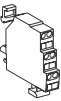


1 changeover contact (5 A - 240 V)	47080	
1 low-level changeover contact	47081	
Wiring	For fixed circuit breaker For drawout circuit breaker	47074 47849

Installation manual	47951
---------------------	-------

"Connected, disconnected, test position" indication contact (carriage switches) / 1 part

DB404524.eps



Changeover contacts	6 A - 240 V	33170
CE, CD, CT	Low-level	33171

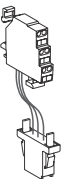
Installation manual	47952
---------------------	-------

Set of additional actuators for carriage switches / 1 set

1 set	48560
-------	-------

Combined closed / connected contacts for use with 1 auxiliary contact / 1 part

DB404522.eps

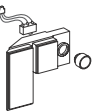


1 contact (5 A - 240 V)	48477
or 1 low-level contact	48478

Installation manual	47952
---------------------	-------

Electrical closing pushbutton / 1 part

DB404319.eps



1 pushbutton	BPFE 48534
--------------	---------------

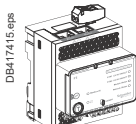
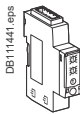

Installation manual	47951
---------------------	-------

Auxiliary terminals for chassis alone

3 wire terminal (1 part)	47849
6 wire terminal (1 part)	47850
Jumpers (10 parts)	47900

Instructions		
Chassis accessories		47952
Circuit breaker accessories		47951
Fixed and drawout circuit breaker		47950
User manual	NW AC (French)	47954
	NW AC (English)	47955
	NW DC (French)	64923
	NW DC (English)	64924
Micrologic user manual	20/50 (French)	33076
	20/50 (English)	33077
	2A/7A (French)	33079
	2A/7A (English)	33080
	2E/6E (French)	33079
	2E/6E (English)	33080
	5P/7P (French)	33082
	5P/7P (English)	33083
	5H/7H (French)	33085
	5H/7H (English)	33086
Modbus communication notice for manual		33088

Communication option

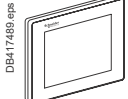
 DB417415.eps	IFE	Ethernet interface for LV breaker	LV434010
		Ethernet interface for LV breakers and gateway	LV434011
 DB11441.eps	IFM Modbus-SL interface module		TRV00210
	I/O application module		LV434063
 DB417414.eps	User guide IFE		DOCA0084EN-00
	User guide I/O application module		DOCA0055EN-00

Monitoring and control


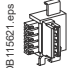

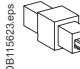
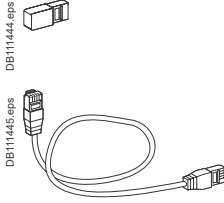
ULP display module ⁽¹⁾

 DB11440.eps	Switchboard front display module FDM121		TRV00121
	FDM mounting accessory (diameter 22 mm)		TRV00128

Ethernet display module

 DB417489.eps	Switchboard front display module FDM128		LV434128
---	---	--	----------

ULP wiring accessories

 DB127985.eps	Breaker ULP cord L = 0.35 m		LV434195
	Breaker ULP cord L = 1.3 m		LV434196
	Breaker ULP cord L = 3 m		LV434197
 DB11521.eps	10 stacking connectors for communication interface modules		TRV00217
	10 Modbus line terminators		VW3A8306DRC ⁽²⁾
 DB11443.eps	5 RJ45 connectors female/female		TRV00870
 DB11523.eps	10 ULP line terminators		TRV00880
 DB11445.eps	10 RJ45/RJ45 male cord L = 0.3 m		TRV00803
	10 RJ45/RJ45 male cord L = 0.6 m		TRV00806
	5 RJ45/RJ45 male cord L = 1 m		TRV00810
	5 RJ45/RJ45 male cord L = 2 m		TRV00820
	5 RJ45/RJ45 male cord L = 3 m		TRV00830
	1 RJ45/RJ45 male cord L = 5 m		TRV00850

⁽¹⁾ For measurement display with Micrologic A, E, P and H.

⁽²⁾ See Telemecanique catalogue.

To indicate your choice, check the applicable square boxes

and enter the appropriate information in the rectangles

Circuit breaker or switch-disconnector Qty

Masterpact type	NT <input type="checkbox"/>	NW <input type="checkbox"/>
Rating	A <input type="checkbox"/>	
Sensor rating	A <input type="checkbox"/>	
Circuit breaker	N1, H1, H2, H3, L1 <input type="checkbox"/>	
Special circuit breaker	H2 anticorrosion, H10 (NW) <input type="checkbox"/>	
Special circuit breaker	NW16/32 H1T, NT16 H2T <input type="checkbox"/>	
Switch-disconnector	NA, HA, HF, ES, HA10 (NW) <input type="checkbox"/>	
Number of poles	3 or 4 <input type="checkbox"/>	
Brand	Schneider Electric <input checked="" type="checkbox"/>	
Option: neutral on right side (NW)	<input type="checkbox"/>	
Type of equipment	Fixed <input type="checkbox"/>	
	Drawout with chassis <input type="checkbox"/>	
	Drawout without chassis (moving part only) <input type="checkbox"/>	
	Chassis alone <input type="checkbox"/>	
Earthing switch kit for chassis	<input type="checkbox"/>	

Micrologic control unit

A - ammeter	2.0 <input type="checkbox"/>	5.0 <input type="checkbox"/>	6.0 <input type="checkbox"/>	7.0 <input type="checkbox"/>
E - energy	2.0 <input type="checkbox"/>	5.0 <input type="checkbox"/>	6.0 <input type="checkbox"/>	
P - power meter		5.0 <input type="checkbox"/>	6.0 <input type="checkbox"/>	7.0 <input type="checkbox"/>
H - harmonic meter		5.0 <input type="checkbox"/>	6.0 <input type="checkbox"/>	7.0 <input type="checkbox"/>
LR - long-time rating plug	Standard 0.4 to 1 Ir <input type="checkbox"/>			
	Low setting 0.4 to 0.8 Ir <input type="checkbox"/>			
	High setting 0.8 to 1 Ir <input type="checkbox"/>			
	LR OFF <input type="checkbox"/>			

AD - external power-supply module V

BAT - battery module

TCE - external sensor (CT) for neutral and residual earth-fault protection

TCE - external sensor (CT) for over sized neutral (3P - Micrologic P / H) and residual earth-fault protection

TCW - external sensor for SGR protection

Rectangular sensor NT (280 x 115 mm)
for earth-leakage protection NW (470 x 160 mm)

PTE - external voltage connector

Communication

COM module

Device (BCM-ULP)	<input type="checkbox"/>	with Ethernet interface <input type="checkbox"/>	Cradle management <input type="checkbox"/>
		with Ethernet interface + Gateway <input type="checkbox"/>	with I/O application module (Chassis) <input type="checkbox"/>
		with Modbus interface <input type="checkbox"/>	

Eco COM module

Device (BCM-ULP)	<input type="checkbox"/>	with Ethernet interface <input type="checkbox"/>
		with Ethernet interface + Gateway <input type="checkbox"/>
		with Modbus interface <input type="checkbox"/>

Front Display Module Mounting accessories
(FDM121)

Breaker ULP	L = 0.35 m <input type="checkbox"/>
Cord	L = 1.3 m <input type="checkbox"/>
	L = 3 m <input type="checkbox"/>

Connection

Horizontal	Top <input type="checkbox"/>	Bottom <input type="checkbox"/>
Vertical	Top <input type="checkbox"/>	Bottom <input type="checkbox"/>
Front	Top <input type="checkbox"/>	Bottom <input type="checkbox"/>
Vertical-connection adapters	NT - FC fixed, draw. <input type="checkbox"/>	
Cable-lug adapters	NT - FC fixed, draw. <input type="checkbox"/>	
Arc chute screen	NT - FC fixed <input type="checkbox"/>	
Interphase barriers	NT, NW fixed, drawout <input type="checkbox"/>	
Spreaders	NT fixed, drawout <input type="checkbox"/>	
Disconnectable	NW fixed <input type="checkbox"/>	
front connection adapter	<input type="checkbox"/>	
Lugs for 240 ² or 300 ² cables	NT fixed, drawout <input type="checkbox"/>	

Indication contacts

OF - ON/OFF indication contacts

Standard	4 OF 6 A-240 V AC (10 A-240 V AC and low-level for NW)	
Alternate	1 OF low-level for NT	Max. 4 qty <input type="checkbox"/>
Additional	1 block of 4 OF for NW	Max. 2 qty <input type="checkbox"/>

EF - combined "connected/closed" contacts

	1 EF 6 A-240 V AC for NW	Max. 8 qty <input type="checkbox"/>
	1 EF low-level for NW	Max. 8 qty <input type="checkbox"/>

SDE - "fault-trip" indication contact

Standard	1 SDE 6 A-240 V AC <input type="checkbox"/>	
Additional	1 SDE 6 A-240 V AC <input type="checkbox"/>	1 SDE low level <input type="checkbox"/>

Programmable contacts

	2 M2C contacts <input type="checkbox"/>	6 M6C contacts <input type="checkbox"/>
--	---	---

Carriage switches Low level 6 A-240 V AC

CE - "connected" position Max. 3 for NW/NT qty

CD - "disconnected" position Max. 3 for NW - 2 for NT qty

CT - "test" position Max. 3 for NW - 1 for NT qty

AC - NW actuator for 6 CE - 3 CD - 0 CT additional carriage switches qty

Remote operation

Remote ON/OFF MCH - gear motor V

XF - closing voltage release V

MX - opening voltage release V

PF - "ready to close" contact Low level 6 A-240 V AC

BPFE - electrical closing pushbutton V

RES - electrical reset option V

RAR - automatic reset option

Remote tripping

MN - undervoltage release V

R - delay unit (non-adjustable)

Rr - adjustable delay unit

2nd MX - shunt release V

Locking

VBP - ON/OFF pushbutton locking (by transparent cover + padlocks)

OFF position locking:

VCPO - by padlocks

VSPD - by keylocks Keylock kit (w/o keylock) Profalux Ronis

1 keylock Profalux Ronis

2 identical keylocks, 1 key Profalux Ronis

2 keylocks, different keys (NW) Profalux Ronis

Chassis locking in "disconnected" position:

VSPD - by keylocks Keylock kit (w/o keylock) Profalux Ronis

1 keylock Profalux Ronis

2 identical keylocks, 1 key Profalux Ronis

2 keylocks, different keys Profalux Ronis

Optional connected/disconnected/test position lock

VPEC - door interlock On right-hand side chassis

On left-hand side chassis

VPOC - racking interlock

IPA - cable-type door interlock

VDC - mismatch protection

VIVC - shutter position indication and locking for NW

IBPO - racking interlock between crank and OFF pushbutton for NW

DAE - automatic spring discharge before breaker removal for NW

Accessories

VO - safety shutters on chassis for NT and NW

CDM - mechanical operation counter NT, NW

CB - auxiliary terminal shield for chassis NT, NW

CC - arc chute cover for fixed NT

CDP - escutcheon NT, NW

CP - transparent cover for escutcheon NT, NW

OP - blanking plate for escutcheon NT, NW

KMT - Grounding kit NW

Brackets for mounting NW fixed On backplates

Test kits Mini test kit Portable test kit

Micrologic control unit functions:

2.0 : basic protection (long time + inst.)

5.0 : selective protection (long time + short time + inst.)

6.0 : selective + earth-fault protection

(long time + short time + inst. + earth-fault)

7.0 : selective + earth-leakage protection

(long time + short time + inst. + earth-leakage)

Schneider Electric Industries SAS

35, rue Joseph Monier
CS 30323
92506 Rueil Malmaison Cedex
France

RCS Nanterre 954 503 439
Capital social 896 313 776 €
www.schneider-electric.com

As standards, specifications and designs change from time to time, please ask for confirmation of the information given in this publication.

Publication: Schneider Electric Industries SAS
Photos: Schneider Electric
Publishing: Altavia St Etienne



This document has been printed on ecological paper.

ART.834783 © 2016 - Schneider Electric - All rights reserved.