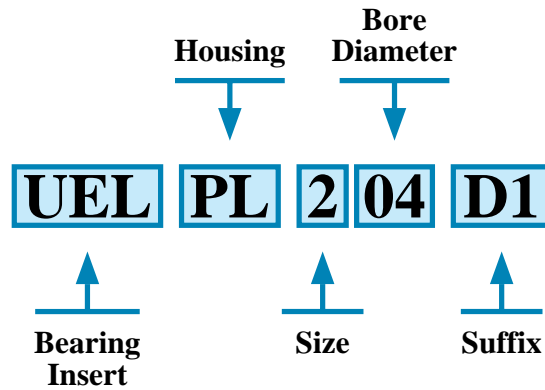
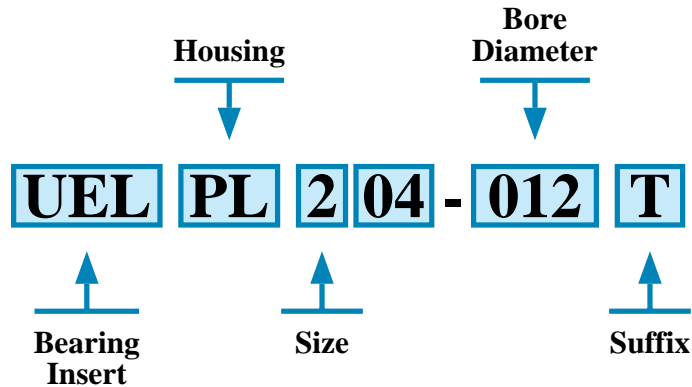




Metric Series



Inch Series



1. BEARING INSERTS*

AEL:	Narrow inner ring, locking collar
AR:	Narrow inner ring, set screw type
AS:	Narrow inner ring, set screw type
JEL:	Narrow inner ring, locking collar
REL:	Wide inner ring, locking collar
UR:	Wide inner ring, set screw type
UC:	Wide inner ring, set screw type, with flinger
UEL:	Wide inner ring, locking collar, with flinger
UK:	Tapered bore, with flinger

HP:	Pillow Block, cast housing, high center height
P:	Pillow Block, cast housing
PL:	Pillow Block, cast housing, low center height
PP:	Pillow Block, pressed steel housing
RPP:	Pillow Block, pressed steel housing with rubber ring
UP:	Pillow Block, cast housing
C:	Cylindrical cartridge unit
HB:	Hanger unit, cast housing
PT:	Mini stretcher
T:	Take-up unit, cast housing

2. HOUSINGS

F:	Flanged unit, cast housing
FA:	Flanged unit, cast housing
FC:	Flanged piloted unit, cast housing
FD:	Flanged unit, cast housing
FH:	Flanged unit, cast housing
FL:	Flanged unit, cast housing
FS:	Flanged piloted unit, cast housing
FU:	Flanged unit, cast housing
PF:	Flanged unit, pressed steel housing
PFL:	Flanged unit, pressed steel housing
RPF:	Flanged unit, pressed steel housing with rubber ring

3. SIZE

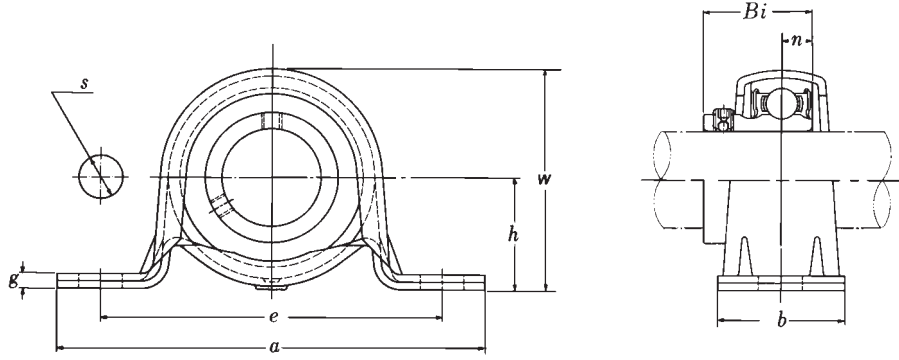
2:	Light
X:	Medium
3:	Heavy

4. SUFFIX

D1:	Relube type
T:	Relube type

* To order a bearing with a cylindrical O.D., add S to the part number (example: JELS).

Units: Millimeters
INCHES

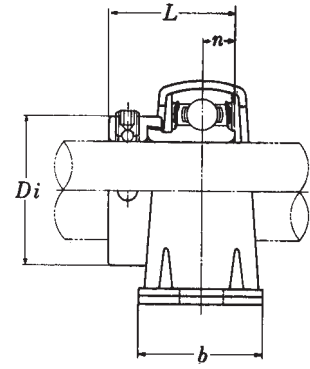
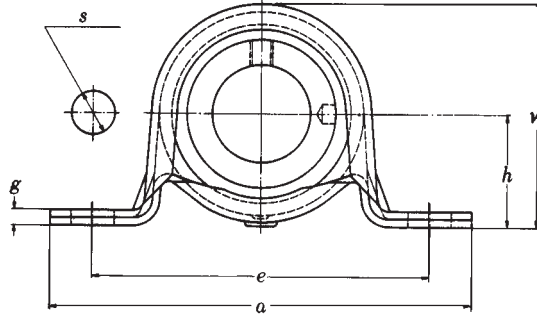


PILLOW BLOCKS - PRESSED STEEL HOUSING																
Shaft Dia.	Complete Pillow Block Number	Nominal Dimensions									Bolt Size	Housing Number	Bearing Number	Basic Load Ratings (lbs)		Max. Radial Load ^① (lbs)
		<i>h</i>	<i>a</i>	<i>e</i>	<i>b</i>	<i>s</i>	<i>g</i>	<i>w</i>	<i>Bi</i>	<i>n</i>				Dynamic <i>C</i>	Static <i>C₀</i>	
12 ½	ASPP201 ASPP201-008	22.2 ⅞	86 3 ⅜	68 2 11/16	25 3 1/32	9.5 ⅜	3.2 .126	43.8 1 23/32	22 .866	6 .236	M8 ⅝	PP203 PP203	AS201 AS201-008	2,160	1,040	440
15 ¾ 5/8	ASPP202 ASPP202-009 ASPP202-010	22.2 ⅞	86 3 ⅜	68 2 11/16	25 3 1/32	9.5 ⅜	3.2 .126	43.8 1 23/32	22 .866	6 .236	M8 ⅝	PP203 PP203 PP203	AS202 AS202-009 AS202-010	2,160	1,040	440
17 1 1/16	ASPP203 *ASPP203-011	22.2 ⅞	86 3 ⅜	68 2 11/16	25 3 1/32	9.5 ⅜	3.2 .126	43.8 1 23/32	22 .866	6 .236	M8 ⅝	PP203 PP203	AS203 AS203-011	2,160	1,040	440
20 ¾	ASPP204 ASPP204-012	25.4 1	98 3 27/32	76 3	32 1 ¼	9.5 ⅜	3.2 .126	50.5 2	25 .984	7 .276	M8 ⅝	PP204 PP204	AS204 AS204-012	2,890	1,500	550
25 1 3/16 7/8 1 1/8 1	ASPP205 ASPP205-013 ASPP205-014 ASPP205-015 ASPP205-100	28.6 1 1/8	108 4 ¼	86 3 ⅜	32 1 ¼	11 7/16	4 .157	56.6 2 7/32	27 1.063	7.5 .295	M10 ⅝	PP205 PP205 PP205 PP205 PP205	AS205 AS205-013 AS205-014 AS205-015 AS205-100	3,150	1,770	770
30 1 1/16 1 1/8 1 3/16 1 ¼	ASPP206 ASPP206-101 ASPP206-102 ASPP206-103 *ASPP206-104	33.3 1 5/16	117 4 19/32	95 3 ¾	38 1 ½	11 7/16	4 .157	66.3 2 5/8	29 1.142	8 .315	M10 ⅝	PP206 PP206 PP206 PP206 PP206	AS206 AS206-101 AS206-102 AS206-103 AS206-104	4,400	2,540	880
35 1 ¼ 1 5/16 1 ¾ 1 7/16	ASPP207 ASPP207-104 ASPP207-105 ASPP207-106 *ASPP207-107	39.7 1 9/16	129 5 3/32	106 4 3/16	42 1 21/32	11 7/16	4.6 .181	78 3 1/16	34 1.339	8.5 .335	M10 ⅝	PP207 PP207 PP207 PP207 PP207	AS207 AS207-104 AS207-105 AS207-106 AS207-107	5,750	3,440	990

① Axial load should be less than 1/3 of radial load.
* Unit with notched set screw as standard.

NTN
SERIES
AELPP2
ECCENTRIC
LOCKING
COLLAR
TYPE

Units: Millimeters
 INCHES

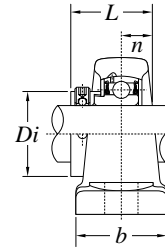
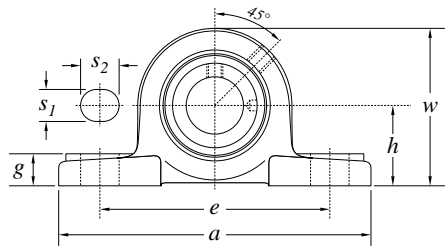


PILLOW BLOCKS - PRESSED STEEL HOUSING

Shaft Dia.	Complete Pillow Block Number	Nominal Dimensions									Bolt Size	Housing Number	Bearing Number	Basic Load Ratings (lbs)		Max. Radial Load ^① (lbs)
		h	a	e	b	s	g	w	L	n				Dynamic C	Static C_o	
12 ½	AELPP201 AELPP201-008	22.2 ⅞	86 3 ⅜	68 2 11/16	25 3 1/2	9.5 ⅜	3.2 .126	43.8 1 23/32	28.6 1.126	6.5 .256	M8 5/16	PP203 PP203	AEL201 AEL201-008	2,160	1,040	440
15 9/16 5/8	AELPP202 AELPP202-009 AELPP202-010	22.2 ⅞	86 3 ⅜	68 2 11/16	25 3 1/2	9.5 ⅜	3.2 .126	43.8 1 23/32	28.6 1.126	6.5 .256	M8 5/16	PP203 PP203 PP203	AEL202 AEL202-009 AEL202-010	2,160	1,040	440
17 1 1/16	AELPP203 AELPP203-011	22.2 7/8	86 3 ⅜	68 2 11/16	25 3 1/2	9.5 ⅜	3.2 .126	43.8 1 23/32	28.6 1.126	6.5 .256	M8 5/16	PP203 PP203	AEL203 AEL203-011	2,160	1,040	440
20 ¾	AELPP204 AELPP204-012	25.4 1	98 3 27/32	76 3	32 1 ¼	9.5 ⅜	3.2 .126	50.5 2	31 1.220	7.5 .295	M8 5/16	PP204 PP204	AEL204 AEL204-012	2,890	1,500	550
25 1 3/16 7/8 1 1/8 1 1/4	AELPP205 AELPP205-013 AELPP205-014 AELPP205-015 AELPP205-100	28.6 1 ⅞	108 4 ¼	86 3 ⅜	32 1 ¼	11 7/16	4 .157	56.6 2 7/32	31 1.220	7.5 .295	M10 ¾	PP205 PP205 PP205 PP205	AEL205 AEL205-013 AEL205-014 AEL205-015 AEL205-100	3,150	1,770	770
30 1 1/16 1 1/8 1 3/16 1 ¼	AELPP206 AELPP206-101 AELPP206-102 AELPP206-103 AELPP206-104	33.3 1 5/16	117 4 19/32	95 3 3/4	38 1 ½	11 7/16	4 .157	66.3 2 5/8	35.7 1.406	9 .354	M10 ¾	PP206 PP206 PP206 PP206 PP206	AEL206 AEL206-101 AEL206-102 AEL206-103 AEL206-104	4,400	2,540	880
35 1 ¼ 1 5/16 1 ¾ 1 7/16	AELPP207 AELPP207-104 AELPP207-105 AELPP207-106 AELPP207-107	39.7 1 9/16	129 5 3/32	106 4 3/16	42 1 21/32	11 7/16	4.6 .181	78 3 1/16	38.9 1.531	9.5 .374	M10 ¾	PP207 PP207 PP207 PP207	AEL207 AEL207-104 AEL207-105 AEL207-106 AEL207-107	5,750	3,440	990

① Axial load should be less than 1/3 of radial load.

Units: **Millimeters**
INCHES

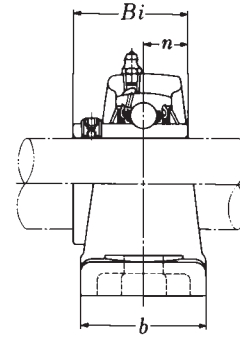
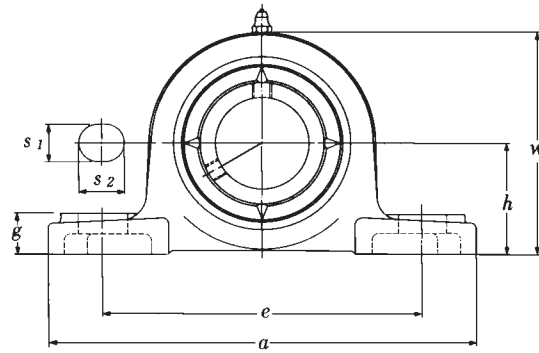


PILLOW BLOCKS - CAST HOUSING

Shaft Dia.	Complete Pillow Block Number	Nominal Dimensions											Bolt Size	Bearing Number	Basic Load Ratings (lbs)	
		<i>h</i>	<i>a</i>	<i>e</i>	<i>b</i>	<i>s</i> ₁	<i>s</i> ₂	<i>g</i>	<i>w</i>	<i>Di</i>	<i>L</i>	<i>n</i>			<i>C</i> _{dynamic}	<i>C</i> _{static}
20 ¾	JELP204D1 JELP204-012T	33.3 1 5/16	127 5	95 3 ¾	38 1 ½	13 ½	16 5/8	14 9/16	65 2 5/16	33.3 1.31	43.7 1.720	17.1 0.673	M10 ¾	JEL204D1 JEL204-012D1	2,890	1,500
25 1 3/16 7/8 1 5/16 1	JELP205D1 JELP205-013T JELP205-014T JELP205-015T JELP205-100T	36.5 1 7/16	140 5 ½	105 4 1/8	38 1 ½	13 ½	16 5/8	15 1 1/2	71 2 25/32	38.1 1.50	44.4 1.748	17.5 0.689	M10 ¾	JEL205D1 JEL205-013D1 JEL205-014D1 JEL205-015D1 JEL205-100D1	3,150	1,770
30 1 1/16 1 1/8 1 3/16 1 1/4	JELP206D1 JELP206-101T JELP206-102T JELP206-103T JELP206-104T	42.9 1 11/16	165 6 ½	121 4 ¾	48 1 7/8	17 2 1/32	20 25/32	17 2 1/32	83 3 3/32	44.5 1.75	48.4 1.906	18.3 0.720	M14 ½	JEL206D1 JEL206-101D1 JEL206-102D1 JEL206-103D1 JEL206-104D1	4,400	2,540
35 1 1/4 1 5/16 1 3/8 1 7/16	JELP207D1 JELP207-104T JELP207-105T JELP207-106T JELP207-107T	47.6 1 7/8	167 6 9/16	127 5	48 1 7/8	17 2 1/32	20 25/32	18 2 3/32	93 3 2 1/32	55.6 2.19	51.1 2.012	18.8 0.740	M14 ½	JEL207D1 JEL207-104D1 JEL207-105D1 JEL207-106D1 JEL207-107D1	5,750	3,450
40 1 ½ 1 9/16	JELP208D1 JELP208-108T JELP208-109T	49.2 1 15/16	184 7 ¼	137 5 13/32	54 2 1/8	17 2 1/32	20 25/32	18 2 3/32	98 3 27/32	60.2 2.37	56.3 2.217	21.4 0.843	M14 ½	JEL208D1 JEL208-108D1 JEL208-109D1	6,550	4,000
45 1 5/8 1 11/16 1 ¾	JELP209D1 JELP209-110T JELP209-111T JELP209-112T	54 2 1/8	190 7 15/32	146 5 ¾	54 2 1/8	17 2 1/32	20 25/32	20 25/32	106 4 3/16	63.5 2.50	56.3 2.217	21.4 0.843	M14 ½	JEL209D1 JEL209-110D1 JEL209-111D1 JEL209-112D1	7,380	4,580
50 1 13/16 1 7/8 1 15/16 2	JELP210D1 JELP210-113T JELP210-114T JELP210-115T JELP210-200T	57.2 2 ¼	206 8 1/8	159 6 ¼	60 2 ¾	20 25/32	23 29/32	21 1 3/16	114 4 ½	69.9 2.75	62.7 2.469	24.6 0.969	M16 5/8	JEL210D1 JEL210-113D1 JEL210-114D1 JEL210-115D1 JEL210-200D1	7,930	5,220
55 2 2 1/16 2 1/8 2 3/16	JELP211D1 JELP211-200T JELP211-201T JELP211-202T JELP211-203T	63.5 2 ½	219 8 5/8	171 6 23/32	60 2 ¾	20 25/32	23 29/32	23 29/32	126 4 3 1/32	76.2 3.00	71.4 2.811	27.8 1.094	M16 5/8	JEL211D1 JEL211-200D1 JEL211-201D1 JEL211-202D1 JEL211-203D1	9,810	6,570
60 2 ¼ 2 ¾ 2 7/16	JELP212D1 JELP212-204T JELP212-206T JELP212-207T	69.8 2 ¾	241 9 ½	184 7 ¼	70 2 ¾	20 25/32	23 29/32	25 3 1/32	138 5 7/16	84.1 3.31	77.8 3.063	31 1.220	M16 5/8	JEL212D1 JEL212-204D1 JEL212-206D1 JEL212-207D1	11,800	8,150



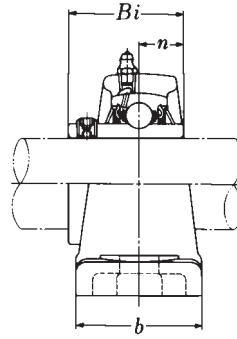
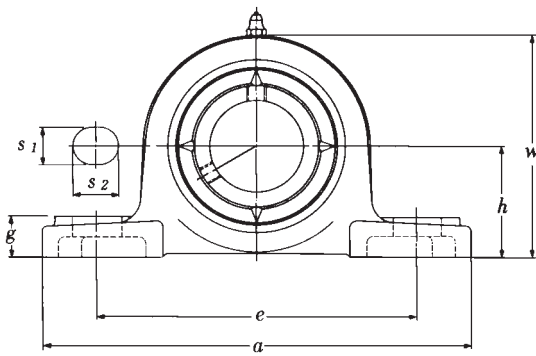
Units: **Millimeters**
INCHES



PILLOW BLOCKS - CAST HOUSING																
Shaft Dia.	Complete Pillow Block Number	Nominal Dimensions										Bolt Size	Housing Number	Bearing Number	Basic Load Ratings (lbs)	
		<i>h</i>	<i>a</i>	<i>e</i>	<i>b</i>	<i>s</i> ₁	<i>s</i> ₂	<i>g</i>	<i>w</i>	<i>Bi</i>	<i>n</i>				Dynamic <i>C</i>	Static <i>C</i> ₀
12 ½	UCP201D1 UCP201-008T	30.2 1 ¾	127 5	95 3 ¾	38 1 ½	13 ½	16 ⅝	14 ⅞	62 2 ⅞	31 1.220	12.7 .500	M10 ¾	P203D1 P203T	UC201D1 UC201-008D1	2,890	1,500
15 ⅞ ⅝	UCP202D1 UCP202-009T UCP202-010T	30.2 1 ¾	127 5	95 3 ¾	38 1 ½	13 ½	16 ⅝	14 ⅞	62 2 ⅞	31 1.220	12.7 .500	M10 ¾	P203D1 P203T P203T	UC202D1 UC202-099D1 UC202-010D1	2,890	1,500
17 1 ¼	UCP203D1 UCP203-011T	30.2 1 ¾	127 5	95 3 ¾	38 1 ½	13 ½	16 ⅝	14 ⅞	62 2 ⅞	31 1.220	12.7 .500	M10 ¾	P203D1 P203T	UC203D1 UC203-011D1	2,890	1,500
20 ¾	UCP204D1 UCP204-012T	33.3 1 ⅝	127 5	95 3 ¾	38 1 ½	13 ½	16 ⅝	14 ⅞	65 2 ⅞	31 1.220	12.7 .500	M10 ¾	P204D1 P204T	UC204D1 UC204-012D1	2,890	1,500
25 1 ¾ ⅞ 1 ⅝ 1	UCP205D1 UCP205-013T UCP205-014T UCP205-015T UCP205-100T	36.5 1 ⅞	140 5 ½	105 4 ⅞	38 1 ½	13 ½	16 ⅝	15 1 ½	71 2 ⅝	34 1.339	14.3 .563	M10 ¾	P205D1 P205T P205T P205T P205T	UC205D1 UC205-013D1 UC205-014D1 UC205-015D1 UC205-100D1	3,150	1,770
30 1 ¼ 1 ½ 1 ¾ 1 ⅝ 1 ¼	UCP206D1 UCP206-101T UCP206-102T UCP206-103T *UCP206-104T	42.9 1 1 ⅞	165 6 ½	121 4 ¾	48 1 ⅞	17 2 ½	20 2 ⅝	17 2 ½	83 3 ⅞	38.1 1.500	15.9 .626	M14 ½	P206D1 P206T P206T P206T P206T	UC206D1 UC206-101D1 UC206-102D1 UC206-103D1 UC206-104D1	4,400	2,540
35 1 ¼ 1 ⅝ 1 ¾ 1 ⅞	UCP207D1 UCP207-104T UCP207-105T UCP207-106T *UCP207-107T	47.6 1 ⅞	167 6 ⅞	127 5	48 1 ⅞	17 2 ½	20 2 ⅝	18 2 ¾	93 3 2 ½	42.9 1.689	17.5 .689	M14 ½	P207D1 P207T P207T P207T P207T	UC207D1 UC207-104D1 UC207-105D1 UC207-106D1 UC207-107D1	5,750	3,440
40 1 ½ 1 ⅞	UCP208D1 UCP208-108T UCP208-109T	49.2 1 1 ⅞	184 7 ¼	137 5 1 ½	54 2 ⅞	17 2 ½	20 2 ⅝	18 2 ¾	98 3 2 ⅞	49.2 1.937	19 .748	M14 ½	P208D1 P208T P208T	UC208D1 UC208-108D1 UC208-109D1	6,550	4,000
45 1 ⅝ 1 1 ¼ 1 ¾	UCP209D1 UCP209-110T UCP209-111T UCP209-112T	54 2 ⅞	190 7 1 ½	146 5 ¾	54 2 ⅞	17 2 ½	20 2 ⅝	20 2 ⅝	106 4 ⅞	49.2 1.937	19 .748	M14 ½	P209D1 P209T P209T P209T	UC209D1 UC209-110D1 UC209-111D1 UC209-112D1	7,350	4,590
50 1 1 ¾ 1 ⅞ 1 1 ⅝ 2	UCP210D1 UCP210-113T UCP210-114T UCP210-115T UCP210-200T	57.2 2 ¼	206 8 ⅞	159 6 ¼	60 2 ¾	20 2 ⅝	23 2 ⅞	21 1 ¾	114 4 ½	51.6 2.031	19 .748	M16 ⅝	P210D1 P210T P210T P210T P210T	UC210D1 UC210-113D1 UC210-114D1 UC210-115D1 UC210-200D1	7,900	5,220
55 2 2 1 ¼ 2 ½ 2 ¾	UCP211D1 UCP211-200T UCP211-201T UCP211-202T UCP211-203T	63.5 2 ½	219 8 ⅞	171 6 2 ⅞	60 2 ¾	20 2 ⅝	23 2 ⅞	23 2 ⅞	126 4 3 ⅞	55.6 2.189	22.2 .874	M16 ⅝	P211D1 P211T P211T P211T P211T	UC211D1 UC211-200D1 UC211-201D1 UC211-202D1 UC211-203D1	9,750	6,570
60 2 ¼ 2 ¾ 2 ⅞	UCP212D1 UCP212-204T UCP212-206T *UCP212-207T	69.8 2 ¾	241 9 ½	184 7 ¼	70 2 ¾	20 2 ⅝	23 2 ⅞	25 2 ⅞	138 5 ⅞	65.1 2.563	25.4 1.000	M16 ⅝	P212D1 P212T P212T P212T	UC212D1 UC212-204D1 UC212-206D1 UC212-207D1	11,800	8,100

* Unit with notched set screw as standard.

Continued next page ...



Units: **Millimeters**
INCHES



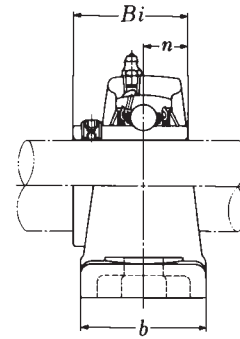
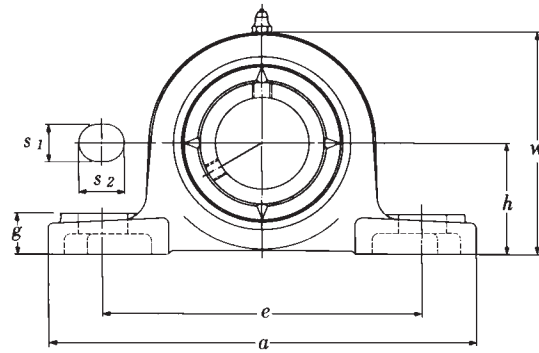
PILLOW BLOCKS - CAST HOUSING

Shaft Dia.	Complete Pillow Block Number	Nominal Dimensions										Bolt Size	Housing Number	Bearing Number	Basic Load Ratings (lbs)	
		<i>h</i>	<i>a</i>	<i>e</i>	<i>b</i>	<i>s</i> ₁	<i>s</i> ₂	<i>g</i>	<i>w</i>	<i>Bi</i>	<i>n</i>				Dynamic <i>C</i>	Static <i>C</i> ₀
65 2 1/2	UCP213D1 UCP213-208T	76.2 3	265 10 7/16	203 8	70 2 3/4	25 3 1/2	28 1 3/8	27 1 1/16	151 5 15/16	65.1 2.563	25.4 1.000	M20 3/4	P213D1 P213T	UC213D1 UC213-208D1	12,900	9,000
70 2 15/16 2 3/4	UCP214D1 UCP214-211T UCP214-212T	79.4 3 1/8	266 10 15/32	210 8 9/32	72 2 27/32	25 3 1/2	28 1 3/8	27 1 1/16	157 6 3/16	74.6 2.937	30.2 1.189	M20 3/4	P214D1 P214T P214T	UC214D1 UC214-211D1 UC214-211D1	14,000	9,900
75 2 15/16 3	UCP215D1 UCP215-215T UCP215-300T	82.6 3 1/4	275 10 13/16	217 8 17/32	74 2 29/32	25 3 1/2	28 1 3/8	28 1 3/8	163 6 13/32	77.8 3.063	33.3 1.311	M20 3/4	P215D1 P215T P215T	UC215D1 UC215-215D1 UC215-300D1	14,900	11,100
80 3 1/8	UCP216D1 UCP216-302T	88.9 3 1/2	292 11 1/2	232 9 1/8	78 3 1/16	25 3 1/2	28 1 3/8	30 1 3/16	175 6 7/8	82.6 3.252	33.3 1.311	M20 3/4	P216D1 P216T	UC216D1 UC216-302D1	16,300	11,900
85 3 1/4	UCP217D1 UCP217-304T	95.2 3 3/4	310 12 7/32	247 9 23/32	83 3 9/32	25 3 1/2	28 1 3/8	32 1 1/4	187 7 3/8	85.7 3.374	34.1 1.343	M20 3/4	P217D1 P217T	UC217D1 UC217-304D1	18,700	14,400
90 3 1/2	UCP218D1 UCP218-308T	101.6 4	327 12 7/8	262 10 5/16	88 3 15/32	27 1 1/16	30 1 3/16	33 1 5/16	200 7 7/8	96 3.780	39.7 1.563	M22 7/8	P218D1 P218T	UC218D1 UC218-308D1	21,600	16,100

* Unit with notched set screw as standard.



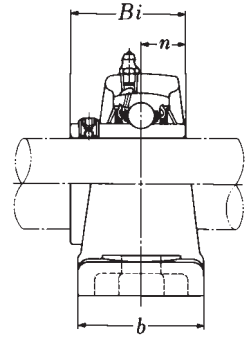
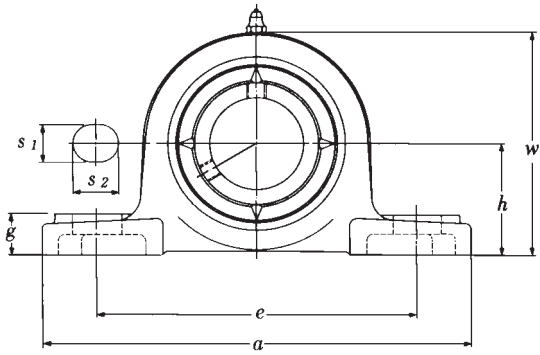
Units: **Millimeters**
INCHES



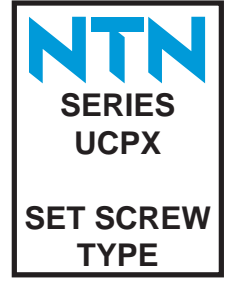
PILLOW BLOCKS - CAST HOUSING

Shaft Dia.	Complete Pillow Block Number	Nominal Dimensions										Bolt Size	Housing Number	Bearing Number	Basic Load Ratings (lbs)	
		<i>h</i>	<i>a</i>	<i>e</i>	<i>b</i>	<i>s₁</i>	<i>s₂</i>	<i>g</i>	<i>w</i>	<i>Bi</i>	<i>n</i>				Dynamic <i>C</i>	Static <i>C₀</i>
25 1 3/16 7/8 15/16 1	UCPX05D1 UCPX05-013T UCPX05-014T UCPX05-015T UCPX05-100T	44.4 1 3/4	159 6 1/4	119 4 11/16	51 2	17 21/32	20 25/32	18 23/32	85 3 1/2	38.1 1.500	15.9 0.626	M14 1/2	PX05D1 PX05T PX05T PX05T PX05T	UCX05D1 UCX05-013D1 UCX05-014D1 UCX05-015D1 UCX05-100D1	4,390	2,540
30 1 1/16 1 1/8 1 3/16 1 1/4	UCPX06D1 UCPX06-101T UCPX06-102T UCPX06-103T UCPX06-104T	47.6 1 7/8	175 6 7/8	127 5	57 2 1/4	17 21/32	20 25/32	20 25/32	93 3 21/32	42.9 1.689	17.5 0.689	M14 1/2	PX06D1 PX06T PX06T PX06T PX06T	UCX06D1 UCX06-101D1 UCX06-102D1 UCX06-103D1 UC207-104D1	5,780	3,440
35 1 3/16 1 3/8 1 7/16	UCPX07D1 UCPX07-105T UCPX07-106T UCPX07-107T	54 2 1/8	203 8	144 5 11/16	57 2 1/4	17 21/32	20 25/32	21 13/16	105 4 1/8	49.2 1.937	19 0.748	M14 1/2	PX07D1 PX07T PX07T PX07T	UCX07D1 UCX07-105D1 UCX07-106D1 UCX07-107D1	6,550	4,000
40 1 1/2 1 9/16	UCPX08D1 UCPX08-108T UCPX08-109T	58.7 2 5/16	222 8 3/4	156 6 1/8	67 2 5/8	20 25/32	23 29/32	26 1 1/32	111 4 3/8	49.2 1.937	19 0.748	M16 5/8	PX08D1 PX08T PX08T	UCX08D1 UCX08-108D1 UCX08-109D1	7,310	4,590
45 1 5/8 1 11/16 1 3/4 1 13/16	UCPX09D1 UCPX09-110T UCPX09-111T UCPX09-112T UCPX09-113T	58.7 2 5/16	222 8 3/4	156 6 1/8	67 2 5/8	20 25/32	23 29/32	26 1 1/32	116 4 9/16	51.6 2.031	19 0.748	M16 5/8	PX09D1 PX09T PX09T PX09T PX09T	UCX09D1 UCX09-110D1 UCX09-111D1 UCX09-112D1 UC210-113D1	7,870	5,220
50 1 7/8 1 15/16 2	UCPX10D1 UCPX10-114T UCPX10-115T UCPX10-200T	63.5 2 1/2	241 9 1/2	171 6 3/4	73 2 7/8	20 25/32	23 29/32	27 1 1/16	126 4 3/32	55.6 2.189	22.2 0.874	M16 5/8	PX10D1 PX10T PX10T PX10T	UCX10D1 UCX10-114D1 UCX10-115D1 UC211-200D1	9,780	6,570
55 2 1/16 2 1/8 2 3/16 2 1/4 2 5/16	UCPX11D1 UCPX11-201T UCPX11-202T UCPX11-203T UCPX11-204T UCPX11-205T	69.8 2 3/4	260 10 1/4	184 7 1/4	79 3 1/8	25 31/32	28 1 3/32	30 1 3/16	137 5 13/32	65.1 2.563	25.4 1.000	M20 3/4	PX11D1 PX11T PX11T PX11T PX11T PX11T	UCX11D1 UCX11-201D1 UCX11-202D1 UCX11-203D1 UC212-204D1 UC212-205D1	11,810	8,100
60 2 3/8 2 7/16	UCPX12D1 UCPX12-206T UCPX12-207T	76.2 3	286 11 1/4	203 8	83 3 1/4	25 31/32	28 1 3/32	33 1 5/16	151 5 15/16	65.1 2.563	25.4 1.000	M20 3/4	PX12D1 PX12T PX12T	UCX12D1 UCX12-206D1 UCX12-207D1	12,930	9,000
65 2 1/2 2 9/16	UCPX13D1 UCPX13-208T UCPX13-209T	76.2 3	286 11 1/4	203 8	83 3 1/4	25 31/32	28 1 3/32	33 1 5/16	154 6 1/16	74.6 2.937	30.2 1.189	M20 3/4	PX13D1 PX13T PX13T	UCX13D1 UCX13-208D1 UCX13-209D1	13,940	9,900
70 2 5/8 2 11/16 2 3/4	UCPX14D1 UCPX14-210T UCPX14-211T UCPX14-212T	88.9 3 1/2	330 13	229 9	89 3 1/2	27 1 1/16	30 1 3/16	35 1 3/8	170 6 11/16	77.8 3.063	33.3 1.311	M22 7/8	PX14D1 PX14T PX14T PX14T	UCX14D1 UCX14-210D1 UCX14-211D1 UCX14-212D1	14,840	11,130
75 2 13/16 2 7/8 2 15/16 3	UCPX15D1 UCPX15-213T UCPX15-214T UCPX15-215T UCPX15-300T	88.9 3 1/2	330 13	229 9	89 3 1/2	27 1 1/16	30 1 3/16	35 1 3/8	175 6 7/8	82.6 3.252	33.3 1.311	M22 7/8	PX15D1 PX15T PX15T PX15T PX15T	UCX15D1 UCX15-213D1 UCX15-214D1 UCX15-215D1 UCX15-300D1	16,310	11,920

Continued next page ...



Units: **Millimeters**
INCHES

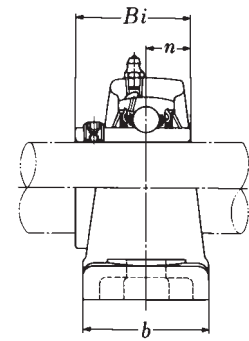
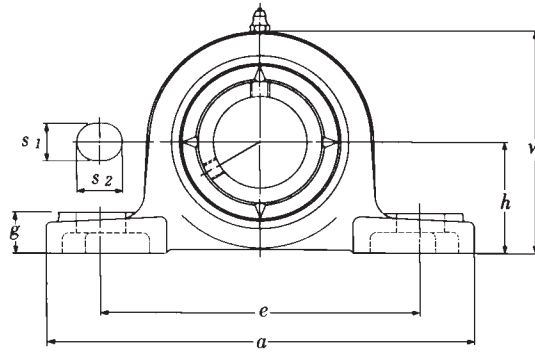


PILLOW BLOCKS - CAST HOUSING

Shaft Dia.	Complete Pillow Block Number	Nominal Dimensions										Bolt Size	Housing Number	Bearing Number	Basic Load Ratings (lbs)	
		h	a	e	b	s_1	s_2	g	w	B_i	n				Dynamic C	Static C_o
80 3 1/8 3 7/16 3 1/4	UCPX16D1 UCPX16-302T UCPX16-303T UCPX16-304T	101.6 4	381 15	283 11 1/8	102 4	27 1 1/16	30 1 3/16	40 1 9/16	194 7 5/8	85.7 3.374	34.1 1.343	M22 7/8	PX16D1 PX16T PX16T PX16T	UCX16D1 UCX16-302D1 UCX16-303D1 UC217-304D1	18,780	14,390
85 3 5/16 3 7/16	UCPX17D1 UCPX17-305T UCPX17-307T	101.6 4	381 15	283 11 1/8	102 4	27 1 1/16	30 1 3/16	40 1 9/16	200 7 7/8	96 3.780	39.7 1.563	M22 7/8	PX17D1 PX17T PX17T	UCX17D1 UCX17-305D1 UCX17-307D1	21,590	16,080
90 3 1/2	UCPX18D1 UCPX18-308T	101.6 4	381 15	283 11 1/8	111 4 3/8	27 1 1/16	30 1 3/16	40 1 9/16	206 8 1/8	104 4.094	42.9 1.689	M22 7/8	PX18D1 PX18T	UCX18D1 UCX18-308D1	24,520	18,440
100 3 7/8 3 15/16 4	UCPX20D1 UCPX20-314T UCPX20-315T UCPX20-400T	127 5	432 17	337 13 1/4	121 4 3/4	33 1 5/16	36 1 13/32	45 1 25/32	244 9 19/32	117.5 4.626	49.2 1.937	M27 1	PX20D1 PX20T PX20T	UCX20D1 UCX20-314D1 UCX20-315D1 UCX20-400D1	29,910	23,620

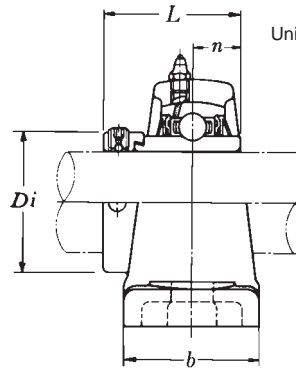
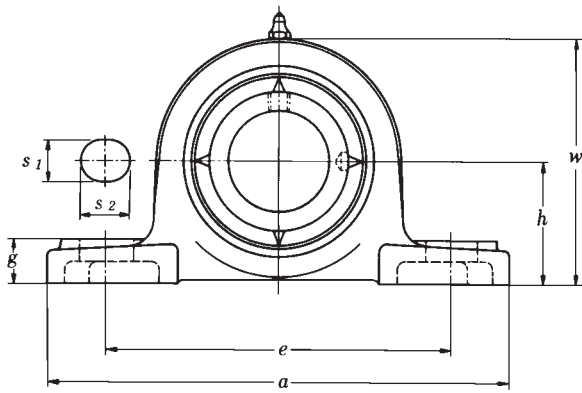


Units: Millimeters
INCHES



PILLOW BLOCKS - CAST HOUSING

Shaft Dia.	Complete Pillow Block Number	Nominal Dimensions										Bolt Size	Housing Number	Bearing Number	Basic Load Ratings (lbs)	
		<i>h</i>	<i>a</i>	<i>e</i>	<i>b</i>	<i>s₁</i>	<i>s₂</i>	<i>g</i>	<i>w</i>	<i>Bi</i>	<i>n</i>				Dynamic <i>C</i>	Static <i>C₀</i>
25 7/8 1 1/16 1	UCP305D1 UCP305-014T UCP305-015T UCP305-100T	45 1 25/32	175 6 7/8	132 5 3/16	45 1 25/32	17 2 1/32	20 2 5/32	15 1 9/32	85 3 1 1/2	38 1.496	15 .591	M14 1/2	P305D1 P305T P305T P305T	UC305D1 UC305-014D1 UC305-015D1 UC305-100D1	4,750	2,460
30 1 1/8 1 3/16	UCP306D1 UCP306-102T UCP306-103T	50 1 31/32	180 7 3/32	140 5 1/2	50 1 31/32	17 2 1/32	20 2 5/32	18 2 3/32	95 3 3/4	43 1.693	17 .669	M14 1/2	P306D1 P306T P306T	UC306D1 UC306-102D1 UC306-102D1	6,000	3,400
35 1 1/4 1 5/16 1 3/8 1 7/16	UCP307D1 UCP307-104T UCP307-105T UCP307-106T UCP307-107T	56 2 7/32	210 8 9/32	160 6 5/16	56 2 7/32	17 2 1/32	25 3 1/32	20 2 5/32	106 4 3/16	48 1.890	19 .748	M14 1/2	P307D1 P307T P307T P307T P307T	UC307D1 UC307-104D1 UC307-105D1 UC307-106D1 UC307-107D1	7,500	4,300
40 1 1/2	UCP308D1 UCP308-108T	60 2 3/8	220 8 27/32	170 6 1 1/16	60 2 3/8	17 2 1/32	27 1 1/16	22 7/8	116 4 9/16	52 2.047	19 .748	M14 1/2	P308D1 P308T	UC308D1 UC308-108D1	9,150	5,400
45 1 7/8 1 1 1/16 1 3/4	UCP309D1 UCP309-110T UCP309-111T UCP309-112T	67 2 5/8	245 9 21/32	190 7 1 9/32	67 2 5/8	20 2 5/32	30 1 3/16	24 1 9/16	129 5 3/32	57 2.244	22 .866	M16 5/8	P309D1 P309T P309T P309T	UC309D1 UC309-110D1 UC309-111D1 UC309-112D1	11,900	7,200
50 1 7/8 1 1 5/16	UCP310D1 UCP310-114T UCP310-115T	75 2 1 5/16	275 10 1 1/16	212 8 1 1/32	75 2 1 5/16	20 2 5/32	35 1 3/8	27 1 1/16	143 5 5/8	61 2.402	22 .866	M16 5/8	P310D1 P310T P310T	UC310D1 UC310-114D1 UC310-115D1	13,900	8,660
55 2 2 1/8 2 3/16	UCP311D1 UCP311-200T UCP311-202T UCP311-203T	80 3 3/32	310 12 7/32	236 9 9/32	80 3 5/32	20 2 5/32	38 1 1/2	30 1 3/16	154 6 1/16	66 2.598	25 .984	M16 5/8	P311D1 P311T P311T P311T	UC311D1 UC311-200D1 UC311-202D1 UC311-203D1	16,100	10,100
60 2 1/4 2 3/8 2 7/16	UCP312D1 UCP312-204T UCP312-206T UCP312-207T	85 3 1 1/32	330 13	250 9 27/32	85 3 1 1/32	25 3 1/32	38 1 1/2	32 1 1/4	165 6 1/2	71 2.795	26 1.024	M20 3/4	P312D1 P312T P312T P312T	UC312D1 UC312-204D1 UC312-206D1 UC312-207D1	18,400	11,700
65 2 1/2	UCP313D1 UCP313-208T	90 3 1 7/32	340 13 3/8	260 10 1/4	90 3 1 7/32	25 3 1/32	38 1 1/2	33 1 5/16	176 6 1 5/16	75 2.953	30 1.181	M20 3/4	P313D1 P313T	UC313D1 UC313-208D1	20,800	13,400
70 2 1 1/16 2 3/4	UCP314D1 UCP314-211T UCP314-212T	95 3 3/4	360 14 3/16	280 11 1/32	90 3 1 7/32	27 1 1/16	40 1 9/16	35 1 3/8	187 7 3/8	78 3.071	33 1.299	M22 7/8	P314D1 P314T P314T	UC314D1 UC314-211D1 UC314-212D1	23,400	15,300
75 2 1 5/16 3	UCP315D1 UCP315-215T UCP315-300T	100 3 1 5/16	380 14 3 1/32	290 11 1 3/32	100 3 1 5/16	27 1 1/16	40 1 9/16	35 1 3/8	198 7 2 5/32	82 3.228	32 1.260	M22 7/8	P315D1 P315T P315T	UC315D1 UC315-215D1 UC315-215D1	25,500	17,400
80 3 1/8 3 3/16	UCP316D1 UCP316-302T UCP316-303T	106 4 3/16	400 15 3/4	300 11 1 3/16	110 4 1 1/32	27 1 1/16	40 1 9/16	40 1 9/16	210 8 9/32	86 3.386	34 1.339	M22 7/8	P316D1 P316T P316T	UC316D1 UC316-302D1 UC316-303D1	27,600	19,500
85 3 1/4	UCP317D1 UCP317-304T	112 4 1 9/32	420 16 1 7/32	320 12 1 9/32	110 4 1 1/32	33 1 5/16	45 1 2 5/32	40 1 9/16	220 8 2 1/32	96 3.780	40 1.575	M27 1	P317D1 P317T	UC317D1 UC317-304D1	29,800	21,800
90 3 7/16 3 1/2	UCP318D1 UCP318-307T UCP318-308T	118 4 2 1/32	430 16 1 5/16	330 13	110 4 1 1/32	33 1 5/16	45 1 2 5/32	45 1 2 5/32	235 9 1/4	96 3.780	40 1.575	M27 1	P318D1 P318T P318T	UC318D1 UC318-307D1 UC318-308D1	32,000	24,100
95 3 3/4	UCP319D1 UCP319-312T	125 4 2 9/32	470 18 1/2	360 14 3/16	120 4 2 3/32	36 1 1 9/32	50 1 3 1/32	45 1 2 5/32	250 9 2 7/32	103 4.055	41 1.614	M30 1 1/8	P319D1 P319T	UC319D1 UC319-312D1	34,500	26,600
100 3 1 5/16 4	UCP320D1 UCP320-315T UCP320-400T	140 5 1/2	490 19 9/32	380 14 3 1/32	120 4 2 3/32	36 1 1 9/32	50 1 3 1/32	50 1 3 1/32	275 10 1 13/16	108 4.252	42 1.654	M30 1 1/8	P320D1 P320T P320T	UC320D1 UC320-315D1 UC320-400D1	39,000	31,500
105	UCP321D1	140	490	380	120	36	50	50	280	112	44	M30	P321D1	UC321D1	41,400	34,500
110	UCP322D1	150	520	400	140	40	55	55	300	117	46	M33	P322D1	UC322D1	46,100	40,500
120	UCP324D1	160	570	450	140	40	55	65	320	126	51	M33	P324D1	UC324D1	46,600	41,500
130	UCP326D1	180	600	480	140	40	55	75	355	135	54	M33	P326D1	UC326D1	51,500	48,000
140	UCP328D1	200	620	500	140	40	55	75	390	145	59	M33	P328D1	UC328D1	56,900	55,500



Units: Millimeters
INCHES

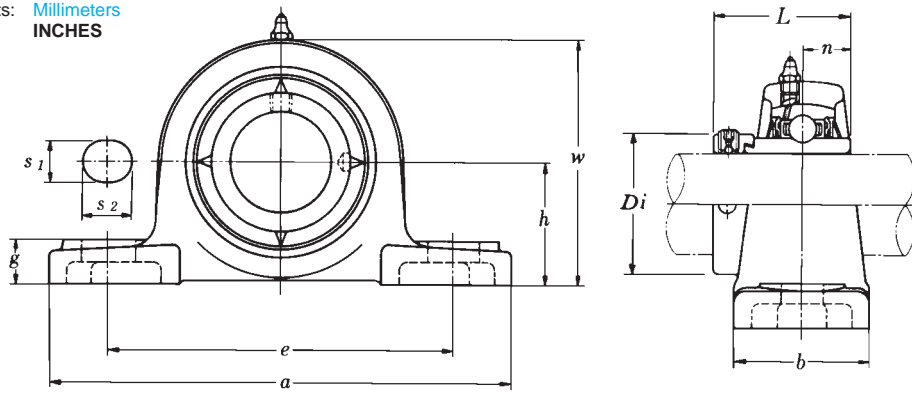


PILLOW BLOCKS - CAST HOUSING

Shaft Dia.	Complete Pillow Block Number	Nominal Dimensions											Bolt Size	Housing Number	Bearing Number	Basic Load Ratings (lbs)	
		<i>h</i>	<i>a</i>	<i>e</i>	<i>b</i>	<i>s₁</i>	<i>s₂</i>	<i>g</i>	<i>w</i>	<i>Di</i>	<i>L</i>	<i>n</i>				<i>C</i>	<i>C₀</i>
20 ¾	UEL204D1 UEL204-012T	33.3 1 ⅞	127 5	95 3 ¾	38 1 ½	13 ½	16 ⅝	14 ⅞	65 2 ⅞	33.3 1.31	43.7 1.720	17.1 .673	M10 ⅝	P204D1 P204T	UEL204D1 UEL204-012D1	2,890	1,500
25 1 ⅜ 7/8 1 ⅞ 1	UEL205D1 UEL205-013T UEL205-014T UEL205-015T UEL205-100T	36.5 1 7/16	140 5 ½	105 4 ⅞	38 1 ½	13 ½	16 ⅝	15 1 ⅜	71 2 5/8	38.1 1.50	44.4 1.748	17.5 .689	M10 ⅝	P205D1 P205T P205T P205T P205T	UEL205D1 UEL205-013D1 UEL205-014D1 UEL205-015D1 UEL205-100D1	3,150	1,770
30 1 1/8 1 1/8 1 3/16 1 1/4	UEL206D1 UEL206-101T UEL206-102T UEL206-103T UEL206-104T	42.9 1 11/16	165 6 ½	121 4 ¾	48 1 7/8	17 2 1/8	20 2 5/8	17 2 1/8	83 3 3/8	44.5 1.75	48.4 1.906	18.3 .720	M14 ½	P206D1 P206T P206T P206T P206T	UEL206D1 UEL206-101D1 UEL206-102D1 UEL206-103D1 UEL206-104D1	4,400	2,540
35 1 1/4 1 5/16 1 3/8 1 7/16	UEL207D1 UEL207-104T UEL207-105T UEL207-106T UEL207-107T	47.6 1 7/8	167 6 5/16	127 5	48 1 7/8	17 2 1/8	20 2 5/8	18 2 3/8	93 3 2 1/8	55.6 2.19	51.1 2.012	18.8 .740	M14 ½	P207D1 P207T P207T P207T P207T	UEL207D1 UEL207-104D1 UEL207-105D1 UEL207-106D1 UEL207-107D1	5,750	3,440
40 1 1/2 1 9/16	UEL208D1 UEL208-108T UEL208-109T	49.2 1 19/16	184 7 ¼	137 5 1 3/8	54 2 ½	17 2 1/8	20 2 5/8	18 2 3/8	98 3 2 7/8	60.2 2.37	56.3 2.217	21.4 .843	M14 ½	P208D1 P208T P208T	UEL208D1 UEL208-108D1 UEL208-109D1	6,550	4,000
45 1 5/8 1 1 1/16 1 3/4	UEL209D1 UEL209-110T UEL209-111T UEL209-112T	54 2 1/8	190 7 1 5/8	146 5 ¾	54 2 ½	17 2 1/8	20 2 5/8	20 2 5/8	106 4 1/4	63.5 2.50	56.3 2.217	21.4 .843	M14 ½	P209D1 P209T P209T P209T	UEL209D1 UEL209-110D1 UEL209-111D1 UEL209-112D1	7,350	4,590
50 1 1 3/16 1 7/8 1 1 1/16 2	UEL210D1 UEL210-113T UEL210-114T UEL210-115T UEL210-200T	57.2 2 ¼	206 8 1/8	159 6 ¼	60 2 ¾	20 2 5/8	23 2 9/8	21 1 3/4	114 4 ½	69.9 2.75	62.7 2.469	24.6 .969	M16 5/8	P210D1 P210T P210T P210T P210T	UEL210D1 UEL210-113D1 UEL210-114D1 UEL210-115D1 UEL210-200D1	7,900	5,220
55 2 2 1/16 2 1/8 2 3/16	UEL211D1 UEL211-200T UEL211-201T UEL211-202T UEL211-203T	63.5 2 ½	219 8 5/8	171 6 2 3/8	60 2 ¾	20 2 5/8	23 2 9/8	23 2 9/8	126 4 3/8	76.2 3.00	71.4 2.811	27.8 1.094	M16 5/8	P211D1 P211T P211T P211T P211T	UEL211D1 UEL211-200D1 UEL211-201D1 UEL211-202D1 UEL211-203D1	9,750	6,570
60 2 1/4 2 3/8 2 7/16	UEL212D1 UEL212-204T UEL212-206T UEL212-207T	69.8 2 ¾	241 9 ½	184 7 ¼	70 2 ¾	20 2 5/8	23 2 9/8	25 3 1/8	138 5 7/16	84.1 3.31	77.8 3.063	31 1.220	M16 5/8	P212D1 P212T P212T P212T	UEL212D1 UEL212-204D1 UEL212-206D1 UEL212-207D1	11,800	8,100
65 2 1/2	UEL213D1 UEL213-208T	76.2 3	265 10 7/16	203 8	70 2 ¾	25 3 1/8	28 1 3/8	27 1 1/16	151 5 1 1/16	97.0 3.82	85.7 3.374	34.15 1.344	M20 ¾	P213D1 P213T	UEL213D1 UEL213-208D1	12,900	9,000
70 2 1 1/16 2 3/4	UEL214D1 UEL214-211T UEL214-212T	79.4 3 1/8	266 10 1 5/8	210 8 3/8	72 2 7/8	25 3 1/8	28 1 3/8	27 1 1/16	157 6 3/16	97.0 3.82	85.7 3.374	34.15 1.344	M20 ¾	P214D1 P214T P214T	UEL214D1 UEL214-211D1 UEL214-212D1	14,000	9,900
75 2 1 5/16 3	UEL215D1 UEL215-215T UEL215-300T	82.6 3 ¼	275 10 1 3/16	217 8 1 7/8	74 2 2 9/8	25 3 1/8	28 1 3/8	28 1 3/8	163 6 1 3/8	97.0 3.82	92 3.622	37.3 1.469	M20 ¾	P215D1 P215T P215T	UEL215D1 UEL215-215D1 UEL215-300D1	14,900	11,130

NTN
SERIES
UELP3
ECCENTRIC
LOCKING
COLLAR
TYPE

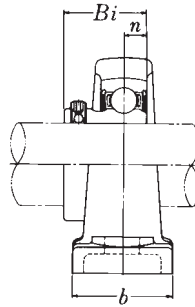
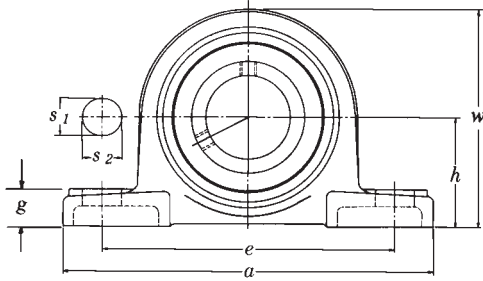
Units: **Millimeters**
INCHES



PILLOW BLOCKS - CAST HOUSING

Shaft Dia.	Complete Pillow Block Number	Nominal Dimensions											Bolt Size	Housing Number	Bearing Number	Basic Load Ratings (lbs)	
		<i>h</i>	<i>a</i>	<i>e</i>	<i>b</i>	<i>s₁</i>	<i>s₂</i>	<i>g</i>	<i>w</i>	<i>D_i</i>	<i>L</i>	<i>n</i>				Dynamic <i>C</i>	Static <i>C₀</i>
25 7/8 1 1/16 1	UEL305D1 UEL305-014T UEL305-015T UEL305-100T	45 1 25/32	175 6 7/8	132 5 3/16	45 1 25/32	17 2 1/32	20 25/32	15 18/32	85 3 1 1/2	42.8 1.69	46.8 1.843	16.7 .657	M14 1/2	P305D1 P305T P305T P305T	UEL305D1 UEL305-014D1 UEL305-015D1 UEL305-100D1	4,750	2,460
30 1 1/8 1 3/16	UEL306D1 UEL306-102T UEL306-103T	50 1 3 1/2	180 7 3/32	140 5 1/2	50 1 3 1/2	17 2 1/32	20 25/32	18 23/32	95 3 3/4	50 1.97	50 1.969	17.5 .689	M14 1/2	P306D1 P306T P306T	UEL306D1 UEL306-102D1 UEL306-103D1	6,000	3,400
35 1 1/4 1 5/16 1 3/8 1 7/16	UEL307D1 UEL307-104T UEL307-105T UEL307-106T UEL307-107T	56 2 7/32	210 8 9/32	160 6 9/16	56 2 7/32	17 2 1/32	25 3 1/32	20 25/32	106 4 3/16	55 2.17	51.6 2.031	18.3 .720	M14 1/2	P307D1 P307T P307T P307T P307T	UEL307D1 UEL307-104D1 UEL307-105D1 UEL307-106D1 UEL307-107D1	7,500	4,300
40 1 1/2	UEL308D1 UEL308-108T	60 2 3/8	220 8 2 1/2	170 6 1 1/16	60 2 3/8	17 2 1/32	27 1 1/16	22 7/8	116 4 9/16	63.5 2.50	57.1 2.248	19.8 .780	M14 1/2	P308D1 P308T	UEL308D1 UEL308-108D1	9,150	5,400
45 1 5/8 1 1 1/16 1 3/4	UEL309D1 UEL309-110T UEL309-111T UEL309-112T	67 2 5/8	245 9 2 1/2	190 7 1 5/32	67 2 5/8	20 25/32	30 1 3/16	24 1 5/16	129 5 3/32	70 2.76	58.7 2.311	19.8 .780	M16 5/8	P309D1 P309T P309T P309T	UEL309D1 UEL309-110D1 UEL309-111D1 UEL309-112D1	11,900	7,200
50 1 7/8 1 15/16	UEL310D1 UEL310-114T UEL310-115T	75 2 15/16	275 10 13/16	212 8 1 1/2	75 2 15/16	20 25/32	35 1 3/8	27 1 1/16	143 5 5/8	76.2 3.00	66.6 2.622	24.6 .969	M16 5/8	P310D1 P310T P310T	UEL310D1 UEL310-114D1 UEL310-115D1	13,900	8,600
55 2 2 1/8 2 3/16	UEL311D1 UEL311-200T UEL311-202T UEL311-203T	80 3 3/32	310 12 7/32	236 9 9/32	80 3 3/32	20 25/32	38 1 1/2	30 1 3/16	154 6 1/16	83 3.27	73 2.874	27.8 1.094	M16 5/8	P311D1 P311T P311T P311T	UEL311D1 UEL311-200D1 UEL311-202D1 UEL311-203D1	16,100	10,100
60 2 1/4 2 3/8 2 7/16	UEL312D1 UEL312-204T UEL312-206T UEL312-207T	85 3 1 1/2	330 13	250 9 27/32	85 3 1 1/2	25 3 1/32	38 1 1/2	32 1 1/4	165 6 1/2	89 3.50	79.4 3.126	30.95 1.219	M20 3/4	P312D1 P312T P312T P312T	UEL312D1 UEL312-204D1 UEL312-206D1 UEL312-207D1	18,400	11,700
65 2 1/2	UEL313D1 UEL313-208T	90 3 1 7/32	340 13 3/8	260 10 1/4	90 3 17/32	25 3 1/32	38 1 1/2	33 1 5/16	176 6 15/16	97 3.82	85.7 3.374	32.55 1.281	M20 3/4	P313D1 P313T	UEL313D1 UEL313-208D1	20,800	13,400
70 2 1 1/16 2 3/4	UEL314D1 UEL314-211T UEL314-212T	95 3 3/4	360 14 3/16	280 11 1/32	90 3 17/32	27 1 1/16	40 1 9/16	35 1 3/8	187 7 3/8	102 4.00	92.1 3.626	34.15 1.344	M22 7/8	P314D1 P314T P314T	UEL314D1 UEL314-211D1 UEL314-212D1	23,400	15,300
75 2 15/16 3	UEL315D1 UEL315-215T UEL315-300T	100 3 15/16	380 14 3 1/2	290 11 1 1/32	100 3 15/16	27 1 1/16	40 1 9/16	35 1 3/8	198 7 25/32	113 4.45	100 3.937	37.3 1.469	M22 7/8	P315D1 P315T P315T	UEL315D1 UEL315-215D1 UEL315-300D1	25,500	17,400
80 3 1/8 3 3/16	UEL316D1 UEL316-302T UEL316-303T	106 4 3/16	400 15 3/4	300 11 1 1/16	110 4 1 1/2	27 1 1/16	40 1 9/16	40 1 9/16	210 8 9/32	119 4.69	106.4 4.189	40.5 1.594	M22 7/8	P316D1 P316T P316T	UEL316D1 UEL316-302D1 UEL316-303D1	27,600	19,500
85 3 1/4	UEL317D1 UEL317-304T	112 4 1 3/32	420 16 17/32	320 12 1 9/32	110 4 1 1/2	33 1 5/16	45 1 25/32	40 1 9/16	220 8 2 1/2	127 5.00	109.5 4.311	42.05 1.656	M27 1	P317D1 P317T	UEL317D1 UEL317-304D1	29,800	21,800
90 3 7/16 3 1/2	UEL318D1 UEL318-307T UEL318-308T	118 4 2 1/2	430 16 1 1/16	330 13	110 4 1 1/2	33 1 9/16	45 1 25/32	45 1 25/32	235 9 1/4	133 5.24	115.9 4.563	43.65 1.719	M27 1	P318D1 P318T P318T	UEL318D1 UEL318-307D1 UEL318-308D1	32,000	24,100
95 3 3/4	UEL319D1 UEL319-312T	125 4 29/32	470 18 1/2	360 14 3/16	120 4 2 3/32	36 1 1 1/32	50 1 3 1/32	45 1 25/32	250 9 27/32	140 5.50	122.3 4.815	38.9 1.531	M30 1 1/8	P319D1 P319T	UEL319D1 UEL319-312D1	34,500	26,600
100 3 15/16 4	UEL320D1 UEL320-315T UEL320-400T	140 5 1/2	490 19 9/32	380 14 3 1/2	120 4 2 3/32	36 1 1 1/32	50 1 3 1/32	50 1 3 1/32	275 10 1 1/16	146 5.75	128.6 5.063	50 1.969	M30 1 1/8	P320D1 P320T P320T	UEL320D1 UEL320-315D1 UEL320-400D1	39,000	31,500
105	UEL321D1	140	490	380	120	36	50	50	280	157	139.7	48.4	M30	P321D1	UEL321D1	41,500	34,500
110	UEL322D1	150	520	400	140	40	55	55	300	168	141.3	49.2	M33	P322D1	UEL322D1	46,000	40,500

Units: Millimeters
INCHES



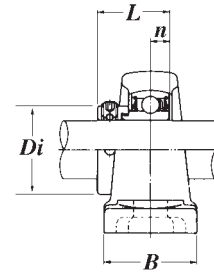
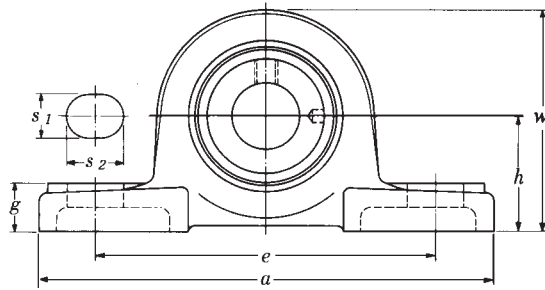
PILLOW BLOCKS - CAST HOUSING (LOW CENTER HEIGHT)

Shaft Dia.	Complete Pillow Block Number	Nominal Dimensions										Bolt Size	Housing Number	Bearing Number	Basic Load Ratings (lbs)	
		<i>h</i>	<i>a</i>	<i>e</i>	<i>b</i>	<i>s</i> ₁	<i>s</i> ₂	<i>g</i>	<i>w</i>	<i>Bi</i>	<i>n</i>				<i>C</i>	<i>C</i> ₀
12 ½	ASPL201 ASPL201-008	26.99 1 ¼	121 4 ¾	89 3 ½	35 1 ¾	11 7/16	14 9/16	13 ½	54 2 ½	22 .866	6 .236	M10 ¾	PL201 PL201	AS201 AS201-008	2,160	1,040
15 9/16 5/8	ASPL202 ASPL202-009 ASPL202-010	26.99 1 ¼	121 4 ¾	89 3 ½	35 1 ¾	11 7/16	14 9/16	13 ½	54 2 ½	22 .866	6 .236	M10 ¾	PL201 PL201 PL201	AS202 AS202-009 AS202-010	2,160	1,040
17 1 ¼	ASPL203 *ASPL203-011	26.99 1 ¼	121 4 ¾	89 3 ½	35 1 ¾	11 7/16	14 9/16	13 ½	54 2 ½	22 .866	6 .236	M10 ¾	PL201 PL201	AS203 AS203-011	2,160	1,040
20 ¾	ASPL204 ASPL204-012	31.75 1 ¼	127 5	95 3 ¾	38 1 ½	13 ½	16 5/8	14 9/16	64 2 17/32	25 .984	7 .276	M10 ¾	PL204 PL204	AS204 AS204-012	2,890	1,500
25 1 3/8 7/8 1 1/8 1	ASPL205 ASPL205-013 ASPL205-014 ASPL205-015 ASPL205-100	33.34 1 5/16	140 5 ½	105 4 1/8	38 1 ½	13 ½	16 5/8	15 19/32	68 2 11/16	27 1.063	7.5 .295	M10 ¾	PL205 PL205 PL205 PL205	AS205 AS205-013 AS205-014 AS205-015 AS205-100	3,150	1,770
30 1 1/8 1 1/8 1 3/8 1 1/4	ASPL206 ASPL206-101 ASPL206-102 ASPL206-103 *ASPL206-104	39.69 1 9/16	165 6 ½	121 4 ¾	48 1 7/8	17 2 1/8	20 2 5/8	17 2 1/8	80 3 5/8	29 1.142	8 .315	M14 ½	PL206 PL206 PL206 PL206	AS206 AS206-101 AS206-102 AS206-103 AS206-104	4,400	2,540
35 1 1/4 1 5/8 1 3/8 1 7/8	ASPL207 ASPL207-104 ASPL207-105 ASPL207-106 *ASPL207-107	46.04 1 1 3/8	167 6 9/16	127 5	48 1 7/8	17 2 1/8	20 2 5/8	18 2 3/8	91 3 1 9/32	34 1.339	8.5 .335	M14 ½	PL207 PL207 PL207 PL207	AS207 AS207-104 AS207-105 AS207-106 AS207-107	5,750	3,440

* Unit with notched set screw as standard.

NTN
SERIES
AELPL2
ECCENTRIC
LOCKING
COLLAR
TYPE

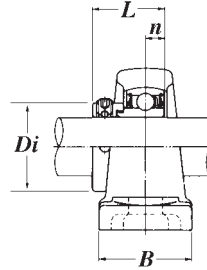
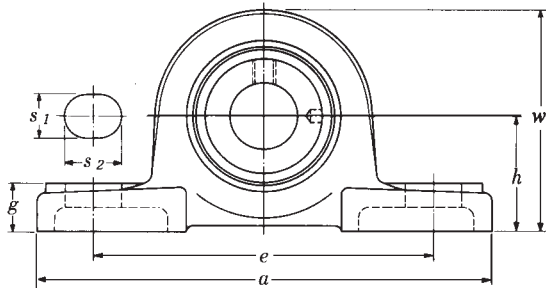
Units: **Millimeters**
INCHES



PILLOW BLOCKS - CAST HOUSING (LOW CENTER HEIGHT)

Shaft Dia.	Complete Pillow Block Number	Nominal Dimensions											Bolt Size	Housing Number	Bearing Number	Basic Load Ratings (lbs)	
		<i>h</i>	<i>a</i>	<i>e</i>	<i>b</i>	<i>s₁</i>	<i>s₂</i>	<i>g</i>	<i>w</i>	<i>Di</i>	<i>L</i>	<i>n</i>				<i>C</i>	<i>C_o</i>
12 ½	AELPL201 AELPL201-008	26.99 1 ⅙	121 4 ¾	89 3 ½	35 1 ⅜	11 7/16	14 9/16	13 ½	54 2 ½	29 1.14	28.6 1.126	6.5 .256	M10 ⅜	PL201 PL201	AEL201 AEL201-008	2,160	1,040
15 ⅝	AELPL202 AELPL202-009 AELPL202-010	26.99 1 ⅙	121 4 ¾	89 3 ½	35 1 ⅜	11 7/16	14 9/16	13 ½	54 2 ½	29 1.14	28.6 1.126	6.5 .256	M10 ⅜	PL201 PL201 PL201	AEL202 AEL202-009 AEL202-010	2,160	1,040
17 1 ⅙	AELPL203 AELPL203-011	26.99 1 ⅙	121 4 ¾	89 3 ½	35 1 ⅜	11 7/16	14 9/16	13 ½	54 2 ½	29 1.14	28.6 1.126	6.5 .256	M10 ⅜	PL201 PL201	AEL203 AEL203-011	2,160	1,040
20 ¾	AELPL204 AELPL204-012	31.75 1 ¼	127 5	95 3 ¾	38 1 ½	13 ½	16 ⅝	14 ⅞	64 2 17/32	33.3 1.31	31 1.220	7.5 .295	M10 ⅜	PL204 PL204	AEL204 AEL204-012	2,890	1,500
25 1 3/16 7/8 1 5/16 1	AELPL205 AELPL205-013 AELPL205-014 AELPL205-015 AELPL205-100	33.34 1 5/16	140 5 ½	105 4 ⅞	38 1 ½	13 ½	16 ⅝	15 1 1/32	68 2 1 1/16	38.1 1.50	31 1.220	7.5 .295	M10 ⅜	PL205 PL205 PL205 PL205 PL205	AEL205 AEL205-013 AEL205-014 AEL205-015 AEL205-100	3,150	1,770
30 1 1/16 1 1/8 1 3/16 1 ¼	AELPL206 AELPL206-101 AELPL206-102 AELPL206-103 AELPL206-104	39.69 1 5/16	165 6 ½	121 4 ¾	48 1 7/8	17 2 1/32	20 2 5/32	17 2 1/32	80 3 5/32	44.5 1.75	35.7 1.406	9 .354	M14 ½	PL206 PL206 PL206 PL206 PL206	AEL206 AEL206-101 AEL206-102 AEL206-103 AEL206-104	4,400	2,540
35 1 ¼ 1 5/16 1 3/8 1 7/16	AELPL207 AELPL207-104 AELPL207-105 AELPL207-106 AELPL207-107	46.04 1 13/16	167 6 9/16	127 5	48 1 7/8	17 2 1/32	20 2 5/32	18 2 3/32	91 3 19/32	55.6 2.19	38.9 1.531	9.5 .374	M14 ½	PL207 PL207 PL207 PL207 PL207	AEL207 AEL207-104 AEL207-105 AEL207-106 AEL207-107	5,750	3,440

Units: **Millimeters**
INCHES

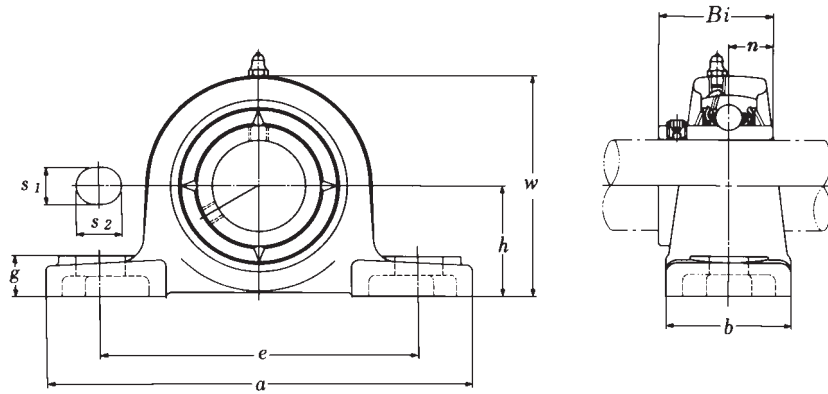


PILLOW BLOCKS - CAST HOUSING (LOW CENTER HEIGHT)

Shaft Dia.	Complete Pillow Block Number	Nominal Dimensions											Bolt Size	Housing Number	Bearing Number	Basic Load Ratings (lbs)	
		<i>h</i>	<i>a</i>	<i>e</i>	<i>b</i>	<i>s₁</i>	<i>s₂</i>	<i>g</i>	<i>w</i>	<i>Di</i>	<i>L</i>	<i>n</i>				<i>C_d</i>	<i>C_s</i>
12 ½	JELPL201 JELPL201-008	26.99 1 ¼	121 4 ¾	89 3 ½	35 1 ¾	11 7/16	14 9/16	13 ½	54 2 ½	29 1.14	28.6 1.126	6.5 .256	M10 3/8	PL201 PL201	JEL201 JEL201-008	2,160	1,030
15 5/16	JELPL202 JELPL202-009 JELPL202-010	26.99 1 ¼	121 4 ¾	89 3 ½	35 1 ¾	11 7/16	14 9/16	13 ½	54 2 ½	29 1.14	28.6 1.126	6.5 .256	M10 3/8	PL201 PL201 PL201	JEL202 JEL202-009 JEL202-010	2,160	1,030
17 1 1/16	JELPL203 JELPL203-011	26.99 1 ¼	121 4 ¾	89 3 ½	35 1 ¾	11 7/16	14 9/16	13 ½	54 2 ½	29 1.14	28.6 1.126	6.5 .256	M10 3/8	PL201 PL201	JEL203 JEL203-011	2,160	1,030
20 ¾	JELPL204 JELPL204-012	31.75 1 ¼	127 5	95 3 ¾	38 1 ½	13 ½	16 5/8	14 ¾	64 2 17/32	33.3 1.31	31 1.220	7.5 .295	M10 3/8	PL204 PL204	JEL204 JEL204-012	2,890	1,500
25 13/16 7/8 15/16 1	JELPL205 JELPL205-013 JELPL205-014 JELPL205-015 JELPL205-100	33.34 1 5/16	140 5 ½	105 4 ½	38 1 ½	13 ½	16 5/8	15 1 1/2	68 2 11/16	38.1 1.50	31 1.220	7.5 .295	M10 3/8	PL205 PL205 PL205 PL205 PL205	JEL205 JEL205-013 JEL205-014 JEL205-015 JEL205-100	3,150	1,770
30 1 1/16 1 1/8 1 3/16 1 ¼	JELPL206 JELPL206-101 JELPL206-102 JELPL206-103 JELPL206-104	39.69 1 9/16	165 6 ½	121 4 ¾	48 1 7/8	17 21/32	20 25/32	17 21/32	80 3 5/32	44.5 1.75	35.7 1.406	9 .354	M14 1/2	PL206 PL206 PL206 PL206 PL206	JEL206 JEL206-101 JEL206-102 JEL206-103 JEL206-104	4,400	2,540
35 1 ¼ 1 5/16 1 ¾ 1 7/16	JELPL207 JELPL207-104 JELPL207-105 JELPL207-106 JELPL207-107	46.04 1 13/16	167 6 9/16	127 5	48 1 7/8	17 21/32	20 25/32	18 23/32	91 3 19/32	55.6 2.19	38.9 1.531	9.5 .374	M14 1/2	PL207 PL207 PL207 PL207 PL207	JEL207 JEL207-104 JEL207-105 JEL207-106 JEL207-107	5,750	3,450

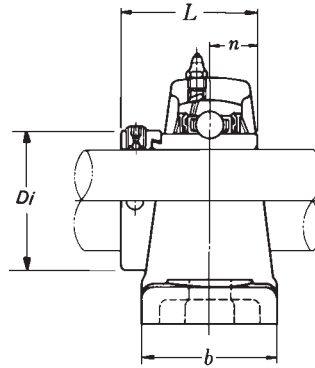
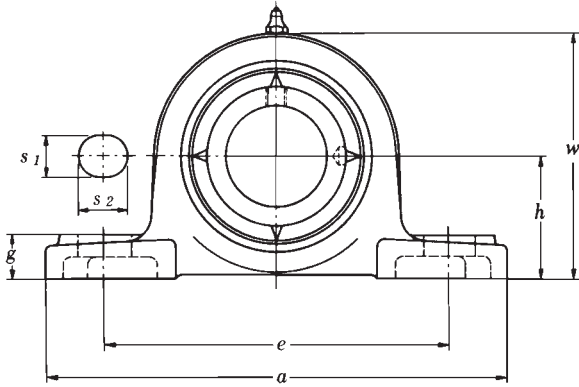


Units: **Millimeters**
INCHES



PILLOW BLOCKS - CAST HOUSING (LOW CENTER HEIGHT)																
Shaft Dia.	Complete Pillow Block Number	Nominal Dimensions										Bolt Size	Housing Number	Bearing Number	Basic Load Ratings (lbs)	
		<i>h</i>	<i>a</i>	<i>e</i>	<i>b</i>	<i>s</i> ₁	<i>s</i> ₂	<i>g</i>	<i>w</i>	<i>B</i> _i	<i>n</i>				<i>C</i> _{Dynamic}	<i>C</i> _{Static}
20 ¾	UCPL204D1 UCPL204-012T	31.75 1 ¼	127 5	95 3 ¾	38 1 ½	13 ½	16 ⅝	14 ⅞	64 2 17/32	31 1.220	12.7 .500	M10 ⅜	PL204D1 PL204T	UC204D1 UC204-012D1	2,890	1,500
25 1 3/16 7/8 15/16 1	UCPL205D1 UCPL205-013T UCPL205-014T UCPL205-015T UCPL205-100T	33.34 1 5/16	140 5 ½	105 4 1/8	38 1 ½	13 ½	16 ⅝	15 19/32	68 2 11/16	34 1.339	14.3 .563	M10 ⅜	PL205D1 PL205T PL205T PL205T PL205T	UC205D1 UC205-013D1 UC205-014D1 UC205-015D1 UC205-100D1	3,150	1,770
30 1 1/16 1 1/8 1 3/16 1 1/4	UCPL206D1 UCPL206-101T UCPL206-102T UCPL206-103T UCPL206-104T	39.69 1 9/16	165 6 ½	121 4 ¾	48 1 7/8	17 2 1/32	20 2 5/32	17 2 1/32	80 3 5/32	38.1 1.500	15.9 .626	M14 ½	PL206D1 PL206T PL206T PL206T PL206T	UC206D1 UC206-101D1 UC206-102D1 UC206-103D1 UC206-104D1	4,400	2,540
35 1 ¼ 1 5/16 1 3/8 1 7/16	UCPL207D1 UCPL207-104T UCPL207-105T UCPL207-106T UCPL207-107T	46.04 1 13/16	167 6 9/16	127 5	48 1 7/8	17 2 1/32	20 2 5/32	18 2 3/32	91 3 1 3/32	42.9 1.689	17.5 .689	M14 ½	PL207D1 PL207T PL207T PL207T PL207T	UC207D1 UC207-104D1 UC207-105D1 UC207-106D1 UC207-107D1	5,750	3,440
45 1 5/8 1 11/16 1 ¾	UCPL209D1 UCPL209-110T UCPL209-111T UCPL209-112T	52.39 2 1/16	190 7 15/32	146 5 ¾	54 2 1/8	17 2 1/32	20 2 5/32	20 2 5/32	104 4 3/32	49.2 1.937	19 .748	M14 ½	PL209D1 PL209T PL209T PL209T	UC209D1 UC209-110D1 UC209-111D1 UC209-112D1	7,350	4,590
50 1 13/16 1 7/8 1 15/16 2	UCPL210D1 UCPL210-113T UCPL210-114T UCPL210-115T UCPL210-200T	55.56 2 3/16	206 8 1/8	159 6 ¼	60 2 ¾	20 2 5/32	23 2 9/32	21 1 3/16	112 4 1 3/32	51.6 2.031	19 .748	M16 5/8	PL210D1 PL210T PL210T PL210T PL210T	UC210D1 UC210-113D1 UC210-114D1 UC210-115D1 UC210-200D1	7,900	5,220

Units: Millimeters
INCHES



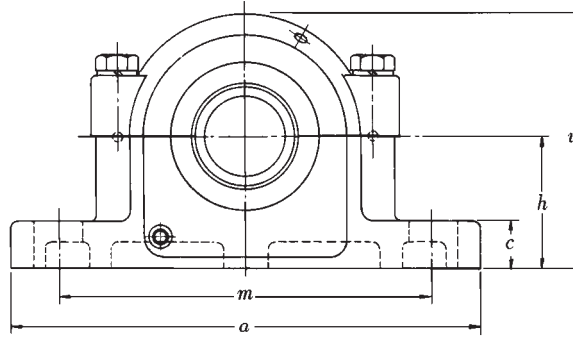
PILLOW BLOCKS - CAST HOUSING (LOW CENTER HEIGHT)

Shaft Dia.	Complete Pillow Block Number	Nominal Dimensions											Bolt Size	Housing Number	Bearing Number	Basic Load Ratings (lbs)	
		<i>h</i>	<i>a</i>	<i>e</i>	<i>b</i>	<i>s₁</i>	<i>s₂</i>	<i>g</i>	<i>w</i>	<i>Di</i>	<i>L</i>	<i>n</i>				<i>C_d</i>	<i>C_s</i>
20 ¾	UELPL204D1 UELPL204-012T	31.75 1 ¼	127 5	95 3 ¾	38 1 ½	13 ½	16 ⅝	14 ⅞	64 2 17/32	33.3 1.31	43.7 1.920	17.1 .673	M10 ⅝	PL204D1 PL204T	UEL204D1 UEL204-012D1	2,890	1,500
25 1 3/16 7/8 1 5/16 1	UELPL205D1 UELPL205-013T UELPL205-014T UELPL205-015T UELPL205-100T	33.34 1 5/16	140 5 ½	105 4 1/8	38 1 ½	13 ½	16 ⅝	15 19/32	68 2 1 1/16	38.1 1.50	44.4 1.748	17.5 .689	M10 ⅝	PL205D1 PL205T PL205T PL205T PL205T	UEL205D1 UEL205-013D1 UEL205-014D1 UEL205-015D1 UEL205-100D1	3,150	1,770
30 1 1/16 1 1/8 1 3/16 1 1/4	UELPL206D1 UELPL206-101T UELPL206-102T UELPL206-103T UELPL206-104T	39.69 1 9/16	165 6 ½	121 4 ¾	48 1 7/8	17 21/32	20 25/32	17 21/32	80 3 5/8	44.5 1.75	48.4 1.906	18.3 .720	M14 ½	PL206D1 PL206T PL206T PL206T PL206T	UEL206D1 UEL206-101D1 UEL206-102D1 UEL206-103D1 UEL206-104D1	4,400	2,540
35 1 1/4 1 5/16 1 3/8 1 7/16	UELPL207D1 UELPL207-104T UELPL207-105T UELPL207-106T UELPL207-107T	46.04 1 13/16	167 6 9/16	127 5	48 1 7/8	17 21/32	20 25/32	18 23/32	91 3 1 1/2	55.6 2.19	51.1 2.012	18.8 .740	M14 ½	PL207D1 PL207T PL207T PL207T PL207T	UEL207D1 UEL207-104D1 UEL207-105D1 UEL207-106D1 UEL207-107D1	5,750	3,440
45 1 5/8 1 11/16 1 3/4	UELPL209D1 UELPL209-110T UELPL209-111T UELPL209-112T	52.39 2 1/16	190 7 15/32	146 5 ¾	54 2 1/8	17 21/32	20 25/32	20 25/32	104 4 3/8	63.5 2.50	56.3 2.217	21.4 .843	M14 ½	PL209D1 PL209T PL209T PL209T	UEL209D1 UEL209-110D1 UEL209-111D1 UEL209-112D1	7,350	4,590
50 1 13/16 1 7/8 1 15/16 2	UELPL210D1 UELPL210-113T UELPL210-114T UELPL210-115T UELPL210-200T	55.56 2 3/16	206 8 1/8	159 6 1/4	60 2 3/8	20 25/32	23 29/32	21 13/16	112 4 1 3/8	69.9 2.75	62.7 2.469	24.6 .969	M16 5/8	PL210D1 PL210T PL210T PL210T PL210T	UEL210D1 UEL210-113D1 UEL210-114D1 UEL210-115D1 UEL210-200D1	7,900	5,220

NTN

**SERIES
SAF 225
SAF 226**

**ADAPTER
MOUNTING**

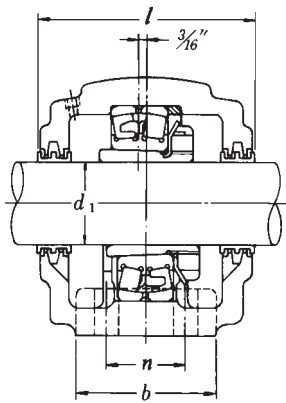


SAF PILLOW BLOCKS

Shaft Diameter d_1 Inches	Complete Pillow Block Number	Pillow ¹ Block Housing	Bearing Number	PILLOW BLOCK COMPONENT NUMBERS		Adapter Locknut and Lockwasher	Triple Seal Ring (2 required)	Stabilizing Ring (1 required)
				Basic Load Ratings (lbs)				
				Dynamic C	Static C_o			
1 7/16	SAF22509	SAF509	22209CKD1	18,600	21,400	SNW09	LER17	SR 85X6
1 11/16	SAF22510	SAF510	22210CKD1	19,300	23,000	SNW10	LER20	SR 90X6.5
1 15/16	SAF22511	SAF511	22211BKD1	21,000	24,700	SNW11	LER24	SR100X6
2 3/16	SAF22513	SAF513	22213BKD1	32,000	40,500	SNW13	LER29	SR120X10
2 7/16	SAF22515	SAF515	22215BKD1	37,000	50,000	SNW15	LER37	SR130X10
2 11/16	SAF22516	SAF516	22216BKD1	40,500	53,500	SNW16	LER44	SR140X10
2 15/16	SAF22517	SAF517	22217BKD1	46,500	61,500	SNW17	LER53	SR150X10
3 3/16	SAF22518	SAF518	22218BKD1	57,500	77,500	SNW18	LER69	SR160X10
3 7/16	SAF22520	SAF520	22220BKD1	70,000	92,500	SNW20	LER102	SR180X10
3 11/16	SAF22522	SAF522	22222BKD1	92,500	128,000	SNW22	LER109	SR200X10
4 3/16	SAF22524	SAF524	22224BKD1	109,000	158,000	SNW24	LER113	SR215X10
4 7/16	SAF22526	SAF526	22226BKD1	127,000	176,000	SNW26	LER117	SR230X10
4 11/16	SAF22528	SAF528	22228BKD1	153,000	218,000	SNW28	LER122	SR250X10
5 3/16	SAF22530	SAF530	22230BKD1	174,000	262,000	SNW30	LER125	SR270X10
5 7/16	SAF22532	SAF532	22232BKD1	195,000	290,000	SNW32	LER130	SR290X10
5 11/16	SAF22534	SAF534	22234BKD1	225,000	340,000	SNW34	LER140	SR310X10
6 7/16	SAF22536	SAF536	22236BK	233,000	360,000	SNW36	LER148	SR320X10
6 11/16	SAF22538	SAF538	22238BK	260,000	410,000	SNW38	LER155	SR340X10
7 3/16	SAF22540	SAF540	22240BK	295,000	450,000	SNW40	LER159	SR360X10
7 11/16	SAF22544	SAF544	22244BK	350,000	545,000	SNW44	LER167	SR400X10

SAF PILLOW BLOCKS

Shaft Diameter d_1 Inches	Complete Pillow Block Number	Pillow ¹ Block Housing	Bearing Number	PILLOW BLOCK COMPONENT NUMBERS		Adapter Locknut and Lockwasher	Triple Seal Ring (2 required)	Stabilizing Ring (1 required)
				Basic Load Ratings (lbs)				
				Dynamic C	Static C_o			
1 7/16	SAF22609	SAF609	22309CKD1	33,000	37,500	SNW109	LER17	SR100X6
1 11/16	SAF22610	SAF610	22310CKD1	42,000	47,500	SNW110	LER20	SR110X8
1 15/16	SAF22611	SAF611	22311BKD1	46,000	52,500	SNW111	LER24	SR120X10
2 3/16	SAF22613	SAF613	22313BKD1	59,500	71,000	SNW113	LER32	SR140X8.5
2 7/16	SAF22615	SAF615	22315BKD1	74,000	92,000	SNW115	LER37	SR160X10
2 11/16	SAF22616	SAF616	22316BKD1	86,000	105,000	SNW116	LER44	SR170X10
2 15/16	SAF22617	SAF617	22317BKD1	93,500	115,000	SNW117	LER184	SR180X10
3 3/16	SAF22618	SAF618	22318BKD1	107,000	132,000	SNW118	LER188	SR190X9.5
3 7/16	SAF22620	SAF620	22320BKD1	136,000	169,000	SNW120	LER102	SR215X9.5
3 11/16	SAF22622	SAF622	22322BKD1	167,000	209,000	SNW122	LER109	SR240X9.5
4 3/16	SAF22624	SAF624	22324BKD1	198,000	252,000	SNW124	LER113	SR260X9.5
4 7/16	SAF22626	SAF626	22326BKD1	221,000	282,000	SNW126	LER117	SR280X9.5
4 11/16	SAF22628	SAF628	22328BKD1	250,000	320,000	SNW128	LER122	SR300X9.5
5 3/16	SAF22630	SAF630	22330BK	281,000	385,000	SNW130	LER125	SR320X9.5
5 7/16	SAF22632	SAF632	22332BK	315,000	440,000	SNW132	LER130	SR340X9.5
5 11/16	SAF22634	SAF634	22334BK	340,000	480,000	SNW134	LER140	SR360X10
6 7/16	SAF22636	SAF636	22336BK	385,000	565,000	SNW136	LER148	SR380X10
6 11/16	SAF22638	SAF638	22338BK	415,000	615,000	SNW138	LER155	SR400X10



HOW TO ORDER

Example: When you order one SAF22520, you will receive a package containing one SAF520 Pillow Block Housing, one No. 22220BKD1 Bearing and one SNW20 Adapter. All units are supplied with two Triple Seal Rings and a Stabilizing Ring. If you specify SAF22520M3, the required end cover will be included. Always specify shaft size. The same example applies when you order SAF22620.

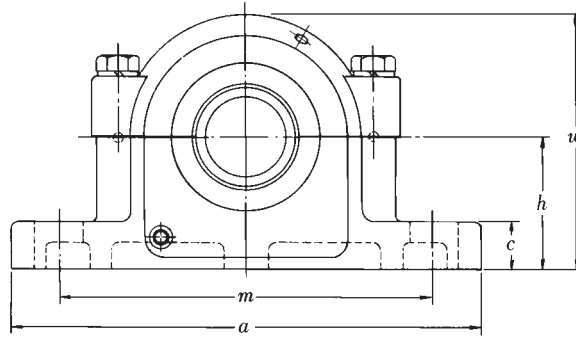
- ① A pillow block housing number includes one housing and two triple seal rings automatically. Suffix G on a pillow block housing number means one stabilizing ring is also included.

NOTE: For cast steel pillow blocks in 22500(22200) Series (SAFS), see pages 150 and 151.

SAF PILLOW BLOCKS											
Complete Pillow Block Number	Dimensions (Inches)									Set Bolts	
	<i>h</i>	<i>a</i>	<i>b</i>	<i>c</i>	<i>m</i>		<i>n</i>	<i>w</i>	<i>l</i>	Size	Number
					max.	min.					
SAF22509	2 1/4	8 1/4	2 3/8	1 3/16	7	6 1/4	—	4 3/8	3 5/8	1/2	2
SAF22510	2 1/2	8 1/4	2 3/8	1 5/16	7	6 1/2	—	4 3/4	3 5/8	1/2	2
SAF22511	2 3/4	9 5/8	2 3/4	1 5/16	7 7/8	7 3/8	—	5 1/4	3 7/8	5/8	2
SAF22513	3	11	3 1/8	1	9 1/2	8 1/8	—	5 15/16	4 1/2	5/8	2
SAF22515	3 1/4	11 1/4	3 1/8	1 1/8	9 5/8	8 5/8	—	6 3/8	4 3/4	5/8	2
SAF22516	3 1/2	13	3 1/2	1 3/16	11	9 5/8	—	6 7/8	4 7/8	3/4	2
SAF22517	3 3/4	13	3 1/2	1 1/4	11	9 7/8	—	7 5/16	5	3/4	2
SAF22518	4	13 3/4	3 7/8	1 5/16	11 5/8	10 3/8	—	7 3/4	5 3/4	3/4	2
SAF22520	4 1/2	15 1/4	4 3/8	1 3/4	13 1/8	11 5/8	—	8 3/4	6	7/8	2
SAF22522	4 15/16	16 1/2	4 3/4	2	14 1/2	12 5/8	2 3/4	9 5/8	6 1/2	3/4	4
SAF22524	5 1/4	16 1/2	4 3/4	2 1/8	14 1/2	13 1/4	2 3/4	10 1/4	7 3/8	3/4	4
SAF22526	6	18 3/8	5 1/8	2 3/8	16	14 5/8	3 1/4	11 1/2	8	7/8	4
SAF22528	6	20 1/8	5 7/8	2 3/8	17 1/8	16	3 3/8	11 3/4	7 5/8	1	4
SAF22530	6 5/16	21 1/4	6 1/4	2 1/2	18 1/4	17	3 3/4	12 1/2	8 3/8	1	4
SAF22532	6 11/16	22	6 1/4	2 5/8	19 1/4	17 3/8	3 3/4	13 5/16	8 3/4	1	4
SAF22534	7 1/16	24 3/4	6 3/4	2 3/4	21 5/8	19 3/8	4 1/4	14 3/16	9 5/8	1	4
SAF22536	7 1/2	26 3/4	7 1/8	3	23 5/8	20 7/8	4 5/8	14 7/8	10	1	4
SAF22538	7 7/8	28	7 1/2	3 1/8	24 3/8	21 5/8	4 1/2	15 11/16	10 3/4	1 1/4	4
SAF22540	8 1/4	29 1/2	8	3 3/8	25	22 1/2	5	16 1/2	11 1/4	1 1/4	4
SAF22544	9 1/2	32 3/4	8 3/4	3 3/4	27 7/8	24 3/4	5 1/4	18 5/8	12	1 1/2	4

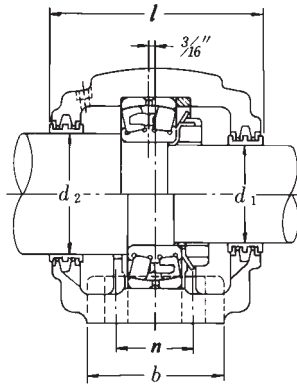
SAF PILLOW BLOCKS											
Complete Pillow Block Number	Dimensions (Inches)									Set Bolts	
	<i>h</i>	<i>a</i>	<i>b</i>	<i>c</i>	<i>m</i>		<i>n</i>	<i>w</i>	<i>l</i>	Size	Number
					max.	min.					
SAF22609	2 3/4	9 5/8	2 3/4	1	7 7/8	7 3/8	—	5 5/16	4 1/4	5/8	2
SAF22610	3	10 5/8	2 3/4	1 1/8	9	7 3/4	—	5 13/16	4 5/8	5/8	2
SAF22611	3 1/4	11	3 1/8	1 3/16	9 1/2	8 1/8	—	6 3/16	4 7/8	5/8	2
SAF22613	3 1/2	13	3 1/2	1 1/4	11	9 5/8	—	6 15/16	5 3/8	3/4	2
SAF22615	4	13 3/4	3 7/8	1 5/16	11 5/8	10 3/8	—	7 13/16	6 1/4	3/4	2
SAF22616	4 1/4	14 1/4	3 7/8	1 5/16	12 5/8	10 5/8	—	8 1/4	6 1/2	3/4	2
SAF22617	4 1/2	15 1/4	4 3/8	1 3/4	13 1/8	11 5/8	—	8 3/4	6 3/4	7/8	2
SAF22618	4 3/4	15 1/2	4 3/8	2	13 1/2	12	2 1/4	9 3/16	6 7/8	3/4	4
SAF22620	5 1/4	16 1/2	4 3/4	2 1/8	14 1/2	13 1/4	2 3/4	10 1/4	7 3/8	3/4	4
SAF22622	6	18 3/8	5 1/8	2 3/8	16	14 5/8	3 1/4	11 1/2	8	7/8	4
SAF22624	6 5/16	21 1/4	6 1/4	2 1/2	18 1/4	17	3 3/4	12 1/2	8 3/8	1	4
SAF22626	6 11/16	22	6 1/4	2 5/8	19 1/4	17 3/8	3 3/4	13 5/16	8 3/4	1	4
SAF22628	7 1/16	24 3/4	6 3/4	2 3/4	21 5/8	19 3/8	4 1/4	14 3/16	9 3/8	1	4
SAF22630	7 1/2	26 3/4	7 1/8	3	23 5/8	20 7/8	4 5/8	14 7/8	9 3/4	1	4
SAF22632	7 7/8	28	7 1/2	3 1/8	24 3/8	21 5/8	4 1/2	15 11/16	10 5/8	1 1/4	4
SAF22634	8 1/4	29 1/2	8	3 3/8	25	22 1/2	5	16 1/2	11 1/4	1 1/4	4
SAF22636	8 7/8	31 1/4	8 1/4	3 1/2	26 5/8	24	5 1/4	17 3/4	11 3/8	1 1/4	4
SAF22638	9 1/2	32 3/4	8 3/4	3 3/4	27 7/8	24 3/4	5 1/4	18 5/8	12	1 1/2	4

NTN
SERIES
SAF222
SAF223
CYLINDRICAL
BORE
MOUNTING



SAF PILLOW BLOCKS											
Shaft Diameter Inches		Complete Pillow Block Number	Pillow Block Housing	Bearing Number	Basic Load Ratings (lbs)		Locknut	Lock-washer	Triple Seal Ring		Stabilizing Ring (1 required)
d_2	d_1				Dynamic C	Static C_o			d_2 Shaft (1 req'd)	d_1 Shaft (1 req'd)	
3 5/8	3	SAF22216	SAF216	22216BD1	40,500	53,500	AN16A	W16	LER82	LER54	SR140X10
3 15/16	3 3/8	SAF22217	SAF217	22217BD1	46,500	61,500	AN17A	W17	LER89	LER63	SR150X10
4 1/8	3 3/8	SAF22218	SAF218	22218BD1	57,500	77,500	AN18A	W18	LER96	LER72	SR160X10
4 1/2	3 13/16	SAF22220	SAF220	22220BD1	70,000	92,500	AN20A	W20	LER118	LER106	SR180X10
4 7/8	4 3/8	SAF22222	SAF222	22222BD1	92,500	128,000	AN22A	W22	LER121	LER113	SR200X10
4 9/16	4 9/16	SAF22224	SAF224	22224BD1	109,000	158,000	AN24A	W24	LER127	LER119	SR215X10
5 7/8	4 15/16	SAF22226	SAF226	22226BD1	127,000	176,000	AN26A	W26	LER136	LER122	SR230X10
6 1/4	5 5/16	SAF22228	SAF228	22228BD1	153,000	218,000	AN28A	W28	LER144	LER127	SR250X10
6 5/8	5 3/4	SAF22230	SAF230	22230BD1	174,000	262,000	AN30A	W30	LER151	LER134	SR270X10
7	6 1/16	SAF22232	SAF232	22232BD1	195,000	290,000	AN32A	W32	LER156	LER142	SR290X10
7 7/16	6 7/16	SAF22234	SAF234	22234BD1	225,000	340,000	AN34A	W34	LER161	LER148	SR310X10
7 13/16	6 7/8	SAF22236	SAF236	22236B	233,000	360,000	AN36A	W36	LER165	LER154	SR320X10
8 3/8	7 1/4	SAF22238	SAF238	22238B	260,000	410,000	AN38A	W38	LER171	LER160	SR340X10
8 3/4	7 5/8	SAF22240	SAF240	22240B	295,000	450,000	AN40A	W40	LER175	LER164	SR360X10
9 9/16	8 5/8	SAF22244	SAF244	22244B	350,000	545,000	N44	W44	LER179	LER170	SR400X10

SAF PILLOW BLOCKS											
Shaft Diameter Inches		Complete Pillow Block Number	Pillow Block Housing	Bearing Number	Basic Load Ratings (lbs)		Locknut	Lock-washer	Triple Seal Ring		Stabilizing Ring (1 required)
d_2	d_1				Dynamic C	Static C_o			d_2 Shaft (1 req'd)	d_1 Shaft (1 req'd)	
1 15/16	1 7/16	SAF22308	SAF308	22308CD1	27,200	28,800	N08	W08	LER24	LER17	SR 90X6.5
2 1/8	1 11/16	SAF22309	SAF309	22309CD1	33,000	37,500	N09	W09	LER28	LER20	SR100X6
2 3/8	1 7/8	SAF22310	SAF310	22310CD1	42,000	47,500	N10	W10	LER35	LER23	SR110X8
2 9/16	2 1/16	SAF22311	SAF311	22311BD1	46,000	52,500	N11	W11	LER40	LER27	SR120X10
2 7/8	2 1/4	SAF22312	SAF312	22312BD1	53,000	60,500	N12	W12	LER47	LER33	SR130X10
3 1/16	2 7/16	SAF22313	SAF313	22313BD1	59,500	71,000	N13	W13	LER55	LER37	SR140X8.5
3 1/4	2 5/8	SAF22314	SAF314	22314BD1	72,500	85,000	N14	W14	LER64	LER43	SR150X10
3 7/16	2 13/16	SAF22315	SAF315	22315BD1	74,000	92,000	AN15A	W15	LER79	LER46	SR160X10
3 5/8	3	SAF22316	SAF316	22316BD1	86,000	105,000	AN16A	W16	LER84	LER60	SR170X10
3 15/16	3 3/8	SAF22317	SAF317	22317BD1	93,500	115,000	AN17A	W17	LER109	LER188	SR180X10
4 1/8	3 3/8	SAF22318	SAF318	22318BD1	107,000	132,000	AN18A	W18	LER112	LER191	SR190X9.5
4 1/2	3 13/16	SAF22320	SAF320	22320BD1	136,000	169,000	AN20A	W20	LER118	LER106	SR215X9.5
4 7/8	4 3/8	SAF22322	SAF322	22322BD1	167,000	209,000	AN22A	W22	LER121	LER113	SR240X9.5
4 9/16	4 9/16	SAF22324	SAF324	22324BD1	198,000	252,000	AN24A	W24	LER127	LER159	SR260X9.5
5 7/8	4 15/16	SAF22326	SAF326	22326BD1	221,000	282,000	AN26A	W26	LER136	LER122	SR280X9.5
6 1/4	5 5/16	SAF22328	SAF328	22328BD1	250,000	320,000	AN28A	W28	LER144	LER127	SR300X9.5
6 5/8	5 3/4	SAF22330	SAF330	22330B	281,000	385,000	AN30A	W30	LER151	LER134	SR320X9.5
7	6 1/16	SAF22332	SAF332	22332B	315,000	440,000	AN32A	W32	LER156	LER142	SR340X9.5
7 7/16	6 7/16	SAF22334	SAF334	22334B	340,000	480,000	AN34A	W34	LER161	LER148	SR360X10
7 13/16	6 7/8	SAF22336	SAF336	22336B	385,000	565,000	AN36A	W36	LER165	LER154	SR380X10
8 3/8	7 1/4	SAF22338	SAF338	22338B	415,000	615,000	AN38A	W38	LER171	LER160	SR400X10



HOW TO ORDER

Example: When you order one SAF22220, you will receive a package containing one SAF220 Pillow Block Housing, one No. 22220BD1 Bearing, one No. AN20A Locknut and one No. W20 Lockwasher. All units are supplied with two Triple Seal Rings and a Stabilizing Ring. If you specify SAF22220M3, the required end cover will be included. Always specify shaft size. The same example applies when you order SAF22320.

- ① A pillow block housing number includes one housing and two triple seal rings automatically. Suffix G on a pillow block housing number means one stabilizing ring is also included.

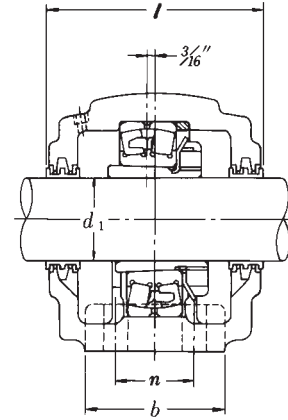
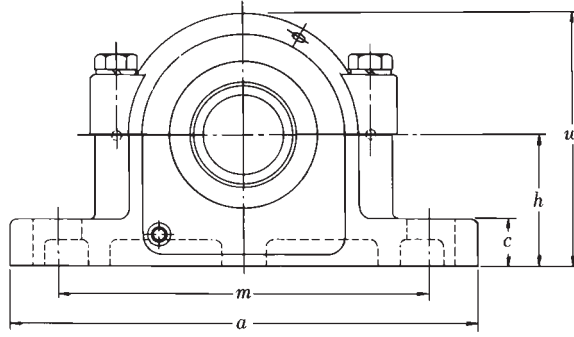
SAF PILLOW BLOCKS											
Complete Pillow Block Number	Dimensions (Inches)									Set Bolts	
	<i>h</i>	<i>a</i>	<i>b</i>	<i>c</i>	<i>m</i>		<i>n</i>	<i>w</i>	<i>l</i>	Size	Number
					max.	min.					
SAF22216	3 1/2	13	3 1/2	1 1/4	11	9 5/8	—	6 15/16	5 3/8	3/4	2
SAF22217	3 3/4	13	3 1/2	1 1/4	11	9 7/8	—	7 3/8	5 3/8	3/4	2
SAF22218	4	13 3/4	3 7/8	1 5/16	11 5/8	10 3/8	—	7 13/16	6 1/4	3/4	2
SAF22220	4 1/2	15 1/4	4 3/8	1 3/4	13 1/8	11 5/8	—	8 3/4	6	7/8	2
SAF22222	4 15/16	16 1/2	4 3/4	2	14 1/2	12 5/8	2 3/4	9 5/8	6 1/2	3/4	4
SAF22224	5 1/4	16 1/2	4 3/4	2 1/8	14 1/2	13 1/4	2 3/4	10 1/4	7 3/8	3/4	4
SAF22226	6	18 3/8	5 1/8	2 3/8	16	14 5/8	3 1/4	11 1/2	8	7/8	4
SAF22228	6	20 1/8	5 7/8	2 3/8	17 1/8	16	3 3/8	11 3/4	7 5/8	1	4
SAF22230	6 5/16	21 1/4	6 1/4	2 1/2	18 1/4	17	3 3/4	12 1/2	8 3/8	1	4
SAF22232	6 11/16	22	6 1/4	2 5/8	19 1/4	17 3/8	3 3/4	13 5/16	8 3/4	1	4
SAF22234	7 1/16	24 3/4	6 3/4	2 3/4	21 5/8	19 3/8	4 1/4	14 3/16	9 5/8	1	4
SAF22236	7 1/2	26 3/4	7 1/8	3	23 3/8	20 7/8	4 5/8	14 7/8	10	1	4
SAF22238	7 7/8	28	7 1/2	3 1/8	24 3/8	21 5/8	4 1/2	15 11/16	10 3/4	1 1/4	4
SAF22240	8 1/4	29 1/2	8	3 3/8	25	22 1/2	5	16 1/2	11 1/4	1 1/4	4
SAF22244	9 1/2	32 3/4	8 3/4	3 3/4	27 7/8	24 3/4	5 1/4	18 5/8	12	1 1/2	4

SAF PILLOW BLOCKS											
Complete Pillow Block Number	Dimensions (Inches)									Set Bolts	
	<i>h</i>	<i>a</i>	<i>b</i>	<i>c</i>	<i>m</i>		<i>n</i>	<i>w</i>	<i>l</i>	Size	Number
					max.	min.					
SAF22308	2 1/2	8 1/4	2 3/8	1	7	6 1/2	—	4 13/16	4	1/2	2
SAF22309	2 3/4	9 5/8	2 3/4	1	7 7/8	7 3/8	—	5 5/16	4 1/4	5/8	2
SAF22310	3	10 5/8	2 3/4	1 1/8	9	7 3/4	—	5 13/16	4 5/8	5/8	2
SAF22311	3 1/4	11	3 1/8	1 3/16	9 1/2	8 1/8	—	6 3/16	5	5/8	2
SAF22312	3 1/4	11 1/4	3 1/8	1 3/16	9 5/8	8 5/8	—	6 3/8	5 1/4	5/8	2
SAF22313	3 1/2	13	3 1/2	1 1/4	11	9 5/8	—	6 15/16	5 3/8	3/4	2
SAF22314	3 3/4	13	3 1/2	1 1/4	11	9 7/8	—	7 3/8	5 3/8	3/4	2
SAF22315	4	13 3/4	3 7/8	1 5/16	11 5/8	10 3/8	—	7 13/16	6 1/4	3/4	2
SAF22316	4 1/4	14 1/4	3 7/8	1 5/16	12 5/8	10 5/8	—	8 1/4	6 1/2	3/4	2
SAF22317	4 1/2	15 1/4	4 3/8	1 3/4	13 1/8	11 5/8	—	8 3/4	6 3/4	7/8	2
SAF22318	4 3/4	15 1/2	4 3/8	2	13 1/2	12	2 1/4	9 9/16	6 7/8	3/4	4
SAF22320	5 1/4	16 1/2	4 3/4	2 1/8	14 1/2	13 1/4	2 3/4	10 1/4	7 3/8	3/4	4
SAF22322	6	18 3/8	5 1/8	2 3/8	16	14 5/8	3 1/4	11 1/2	8	7/8	4
SAF22324	6 5/16	21 1/4	6 1/4	2 1/2	18 1/4	17	3 3/4	12 1/2	8 3/8	1	4
SAF22326	6 11/16	22	6 1/4	2 5/8	19 1/4	17 3/8	3 3/4	13 5/16	8 3/4	1	4
SAF22328	7 1/16	24 3/4	6 3/4	2 3/4	21 5/8	19 3/8	4 1/4	14 3/16	9 5/8	1	4
SAF22330	7 1/2	26 3/4	7 1/8	3	23 3/8	20 7/8	4 5/8	14 7/8	9 3/4	1	4
SAF22332	7 7/8	28	7 1/2	3 1/8	24 3/8	21 5/8	4 1/2	15 11/16	10 3/4	1 1/4	4
SAF22334	8 1/4	29 1/2	8	3 3/8	25	22 1/2	5	16 1/2	11 1/4	1 1/4	4
SAF22336	8 7/8	31 1/4	8 1/4	3 5/8	26 5/8	24	5 1/4	18 1/2	11 1/4	1 1/4	4
SAF22338	9 1/2	32 3/4	8 3/4	3 3/4	27 7/8	24 3/4	5 1/4	18 5/8	12	1 1/2	4

NTN

**SERIES
SAFS225
ADAPTER
MOUNTING**

**SAFS222
CYLINDRICAL
BORE
MOUNTING**



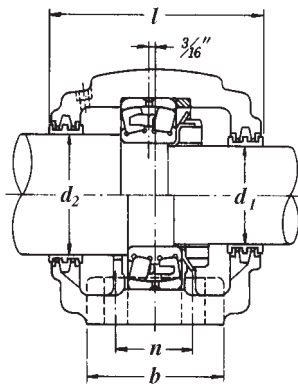
SAFS 225

SAFS PILLOW BLOCKS

Shaft Diameter d_1 Inches	Complete Pillow Block Number	Pillow Block Housing	Bearing Number	PILLOW BLOCK COMPONENT NUMBERS		Adapter Locknut and Lockwasher	Triple Seal Ring (2 required)	Stabilizing Ring (1 required)
				Basic Load Ratings (lbs)				
				Dynamic C	Static C_o			
1 7/16	SAFS22509	SAFS509	22209CKD1	18,600	21,400	SNW09	LER17	SR 85X6
1 11/16	SAFS22510	SAFS510	22210CKD1	19,300	23,000	SNW10	LER20	SR 90X6.5
1 15/16	SAFS22511	SAFS511	22211BKD1	21,000	24,700	SNW11	LER24	SR100X6
2 3/16	SAFS22513	SAFS513	22213BKD1	32,000	40,500	SNW13	LER29	SR120X10
2 7/16	SAFS22515	SAFS515	22215BKD1	37,000	50,000	SNW15	LER37	SR130X10
2 11/16	SAFS22516	SAFS516	22216BKD1	40,500	53,500	SNW16	LER44	SR140X10
2 15/16	SAFS22517	SAFS517	22217BKD1	46,500	61,500	SNW17	LER53	SR150X10
3 3/16	SAFS22518	SAFS518	22218BKD1	57,500	77,500	SNW18	LER69	SR160X10
3 7/16	SAFS22520	SAFS520	22220BKD1	70,000	92,500	SNW20	LER75	SR180X10
3 11/16	SAFS22522	SAFS522	22222BKD1	92,500	128,000	SNW22	LER93	SR200X10
4 3/16	SAFS22524	SAFS524	22224BKD1	109,000	158,000	SNW24	LER113	SR215X10
4 7/16	SAFS22526	SAFS526	22226BKD1	127,000	176,000	SNW26	LER117	SR230X10
4 11/16	SAFS22528	SAFS528	22228BKD1	153,000	218,000	SNW28	LER122	SR250X10
5 3/16	SAFS22530	SAFS530	22230BKD1	174,000	262,000	SNW30	LER125	SR270X10
5 7/16	SAFS22532	SAFS532	22232BKD1	195,000	290,000	SNW32	LER130	SR290X10
5 11/16	SAFS22534	SAFS534	22234BKD1	225,000	340,000	SNW34	LER140	SR310X10
6 7/16	SAFS22536	SAFS536	22236BK	233,000	360,000	SNW36	LER148	SR320X10
6 11/16	SAFS22538	SAFS538	22238BK	260,000	410,000	SNW38	LER224	SR340X10
7 3/16	SAFS22540	SAFS540	22240BK	295,000	450,000	SNW40	LER228	SR360X10
7 11/16	SAFS22544	SAFS544	22244BK	350,000	545,000	SNW44	LER236	SR400X10

SAFS PILLOW BLOCKS

Shaft Diameter Inches		Complete Pillow Block Number	Pillow Block Housing	Bearing Number	PILLOW BLOCK COMPONENT NUMBERS		Locknut	Lock-washer	Triple Seal Ring		Stabilizing Ring (1 required)
					Basic Load Ratings (lbs)				d_2 Shaft (1 req'd)	d_1 Shaft (1 req'd)	
					Dynamic C	Static C_o					
3 5/8	3	SAFS22216	SAFS216	22216BD1	40,500	53,500	AN16A	W16	LER 82	LER 54	SR140X10
3 11/16	3 3/16	SAFS22217	SAFS217	22217BD1	46,500	61,500	AN17A	W17	LER89	LER 63	SR150X10
4 1/8	3 3/8	SAFS22218	SAFS218	22218BD1	57,500	77,500	AN18A	W18	LER96	LER 72	SR160X10
4 1/2	3 13/16	SAFS22220	SAFS220	22220BD1	70,000	92,500	AN20A	W20	LER205	LER 87	SR180X10
4 7/8	4 3/16	SAFS22222	SAFS222	22222BD1	92,500	128,000	AN22A	W22	LER121	LER113	SR200X10
5 1/16	4 3/8	SAFS22224	SAFS224	22224BD1	109,000	158,000	AN24A	W24	LER127	LER119	SR215X10
5 7/8	4 11/16	SAFS22226	SAFS226	22226BD1	127,000	176,000	AN26A	W26	LER136	LER122	SR230X10
6 1/4	5 3/16	SAFS22228	SAFS228	22228BD1	153,000	218,000	AN28A	W28	LER144	LER127	SR250X10
6 5/8	5 3/4	SAFS22230	SAFS230	22230BD1	174,000	262,000	AN30A	W30	LER151	LER134	SR270X10
7	6 1/8	SAFS22232	SAFS232	22232BD1	195,000	290,000	AN32A	W32	LER156	LER142	SR290X10
7 1/16	6 7/16	SAFS22234	SAFS234	22234BD1	225,000	340,000	AN34A	W34	LER161	LER148	SR310X10
7 13/16	6 7/8	SAFS22236	SAFS236	22236B	233,000	360,000	AN36A	W36	LER165	LER154	SR320X10
8 3/8	7 1/4	SAFS22238	SAFS238	22238B	260,000	410,000	AN38A	W38	LER240	LER229	SR340X10
8 3/4	7 5/8	SAFS22240	SAFS240	22240B	295,000	450,000	AN40A	W40	LER244	LER233	SR360X10
9 1/16	8 3/16	SAFS22244	SAFS244	22244B	350,000	545,000	N44	W44	LER248	LER239	SR400X10



SAFS 222

HOW TO ORDER

Example No. 1: When you order one SAFS22520, you will receive a package containing one SAFS520 Pillow Block Housing, one No. 22220BKD1 Bearing and one SNW20 Adapter.

Example No. 2: When you order one SAFS22220, you will receive a package containing one SAFS220 Pillow Block Housing, one No. 22220BD1 Bearing, one No. AN20A Locknut and one No. W20 Lockwasher.

For both of the above examples:

All units are supplied with two Triple Seal Rings and a Stabilizing Ring. If you specify SAFS22520M3, the required end cover will be included. Always specify shaft size.

- ① A pillow block housing number includes one housing and two triple seal rings automatically. Suffix G on a pillow block housing number means one stabilizing ring is also included.

SAFS PILLOW BLOCKS											
Complete Pillow Block Number	Dimensions (Inches)									Set Bolts	
	<i>h</i>	<i>a</i>	<i>b</i>	<i>c</i>	<i>m</i>		<i>n</i>	<i>w</i>	<i>l</i>	Size	Number
					max.	min.					
SAFS22509	2 ¼	8 ¼	2 ¾	7/8	7	6 ¼	—	4 7/16	3 ¾	½	2
SAFS22510	2 ½	8 ¼	2 ¾	1	7	6 ½	—	4 13/16	4	½	2
SAFS22511	2 ¾	9 5/8	2 ¾	1	7 7/8	7 ¾	—	5 5/16	4 ¼	5/8	2
SAFS22513	3	11	3 ½	1	9 ½	8 ½	—	5 15/16	5	¾	2
SAFS22515	3 ¼	11 ¼	3 ½	1 3/16	9 5/8	8 5/8	—	6 3/8	5 ¼	5/8	2
SAFS22516	3 ½	13	3 ½	1 ¼	11	9 5/8	—	6 15/16	5 ¾	¾	2
SAFS22517	3 ¾	13	3 ½	1 ¼	11	9 7/8	—	7 7/8	5 ¾	¾	2
SAFS22518	4	13 ¾	3 7/8	1 5/16	11 5/8	10 ¾	—	7 13/16	6 ¼	¾	2
SAFS22520	4 ½	15 ¼	4 ¾	1 ½	13 ½	11 5/8	—	8 7/8	6 ¾	7/8	2
SAFS22522	4 15/16	16 ½	4 ¾	1 5/8	14 ½	12 5/8	2 ¾	9 11/16	7 ¼	¾	4
SAFS22524	5 ¼	16 ½	4 ¾	1 ¾	14 ½	13 ¼	2 ¾	10 ¼	7 ¾	¾	4
SAFS22526	6	18 ¾	5 ½	1 7/8	16	14 5/8	3 ¼	11 9/16	8	7/8	4
SAFS22528	6	20 ¾	5 7/8	1 15/16	17 ½	16	3 ¾	12	7 5/8	1	4
SAFS22530	6 5/16	21 ¼	6 ¼	2	18 ¼	17	3 ¾	12 11/16	8 ¾	1	4
SAFS22532	6 11/16	22	6 ¼	2	19 ¼	17 ¾	3 ¾	13 9/16	8 ¾	1	4
SAFS22534	7 1/16	24 ¾	6 ¾	2 ½	21 5/8	19 ¾	4 ¼	14 9/16	9 5/8	1	4
SAFS22536	7 ½	26 ¾	7 ½	2 ½	23 5/8	20 7/8	4 5/8	15 5/16	10	1	4
SAFS22538	7 7/8	28	7 ½	2 ¾	24 ¾	21 5/8	4 ½	16 3/16	10 5/8	1 ¼	4
SAFS22540	8 ¼	29 ½	8	2 ¾	25	22 ½	5	17 3/16	11 ½	1 ¼	4
SAFS22544	9 ½	32 ¾	8 ¾	2 ¾	27 7/8	24 ¾	5 ¼	19 7/16	11 7/8	1 ½	4

SAFS PILLOW BLOCKS											
Complete Pillow Block Number	Dimensions (Inches)									Set Bolts	
	<i>h</i>	<i>a</i>	<i>b</i>	<i>c</i>	<i>m</i>		<i>n</i>	<i>w</i>	<i>l</i>	Size	Number
					max.	min.					
SAFS22216	3 ½	13	3 ½	1 ¼	11	9 5/8	—	6 15/16	5 ¾	¾	2
SAFS22217	3 ¾	13	3 ½	1 ¼	11	9 7/8	—	7 3/8	5 ¾	¾	2
SAFS22218	4	13 ¾	3 7/8	1 5/16	11 5/8	10 ¾	—	7 13/16	6 ¼	¾	2
SAFS22220	4 ½	15 ¼	4 ¾	1 ½	13 ½	11 5/8	—	8 7/8	6 ¾	7/8	2
SAFS22222	4 15/16	16 ½	4 ¾	1 5/8	14 ½	12 5/8	2 ¾	9 11/16	7 ¼	¾	4
SAFS22224	5 ¼	16 ½	4 ¾	1 ¾	14 ½	13 ¼	2 ¾	10 ¼	7 ¾	¾	4
SAFS22226	6	18 ¾	5 ½	1 7/8	16	14 5/8	3 ¼	11 9/16	8	7/8	4
SAFS22228	6	20 ¾	5 7/8	1 15/16	17 ½	16	3 ¾	12	7 5/8	1	4
SAFS22230	6 5/16	21 ¼	6 ¼	2	18 ¼	17	3 ¾	12 11/16	8 ¾	1	4
SAFS22232	6 11/16	22	6 ¼	2	19 ¼	17 ¾	3 ¾	13 9/16	8 ¾	1	4
SAFS22234	7 1/16	24 ¾	6 ¾	2 ½	21 5/8	19 ¾	4 ¼	14 9/16	9 5/8	1	4
SAFS22236	7 ½	26 ¾	7 ½	2 ½	23 5/8	20 7/8	4 5/8	15 5/16	10	1	4
SAFS22238	7 7/8	28	7 ½	2 ¾	24 ¾	21 5/8	4 ½	16 3/16	10 5/8	1 ¼	4
SAFS22240	8 ¼	29 ½	8	2 ¾	25	22 ½	5	17 3/16	11 ½	1 ¼	4
SAFS22244	9 ½	32 ¾	8 ¾	2 ¾	27 7/8	24 ¾	5 ¼	19 7/16	11 7/8	1 ½	4



Bearing Series → **ASPP2 SERIES**

ASPP201 4

Complete Pillow Block Number

Weight (lbs)

PILLOW BLOCKS						
ASPP2 SERIES	JELP210-113T.....	5.9	UCPX05-014T.....	3.3	UCP310-114T.....	13
ASPP201.....	JELP210-114T.....	5.9	UCPX05-015T.....	3.3	UCP310-115T.....	13
ASPP201-008.....	JELP210-115T.....	5.9	UCPX05-100T.....	3.3	UCP311D1.....	16
ASPP202.....	JELP210-200T.....	5.9	UCPX06D1.....	4.4	UCP311-200T.....	16
ASPP202-009.....	JELP211D1.....	7.3	UCPX06-101T.....	4.4	UCP311-202T.....	16
ASPP202-010.....	JELP211-200T.....	7.3	UCPX06-102T.....	4.4	UCP311-203T.....	16
ASPP203.....	JELP211-201T.....	7.3	UCPX06-103T.....	4.4	UCP312D1.....	21
ASPP203-011.....	JELP211-202T.....	7.3	UCPX06-104T.....	4.4	UCP312-204T.....	21
ASPP204.....	JELP211-203T.....	7.3	UCPX07D1.....	5.7	UCP312-206T.....	21
ASPP204-012.....	JELP212D1.....	10	UCPX07-105T.....	5.7	UCP312-207T.....	21
ASPP205.....	JELP212-204T.....	10	UCPX07-106T.....	5.7	UCP313D1.....	22
ASPP205-013.....	JELP212-206T.....	10	UCPX07-107T.....	5.7	UCP313-208T.....	22
ASPP205-014.....	JELP212-207T.....	10	UCPX08D1.....	7.3	UCP314D1.....	26
ASPP205-015.....			UCPX08-108T.....	7.3	UCP314-211T.....	26
ASPP205-100.....			UCPX08-109T.....	7.3	UCP314-212T.....	26
ASPP206.....	UCP2 SERIES		UCPX09D1.....	7.3	UCP315D1.....	31
ASPP206-101.....	UCP201D1.....	1.5	UCPX09-110T.....	7.3	UCP315-215T.....	31
ASPP206-102.....	UCP201-008T.....	1.5	UCPX09-111T.....	7.3	UCP315-300T.....	31
ASPP206-103.....	UCP202D1.....	1.5	UCPX09-112T.....	7.3	UCP316D1.....	40
ASPP206-104.....	UCP202-009T.....	1.5	UCPX09-113T.....	7.3	UCP316-302T.....	40
ASPP207.....	UCP202-010T.....	1.5	UCPX10D1.....	9.5	UCP316-303T.....	40
ASPP207-104.....	UCP203D1.....	1.5	UCPX10-114T.....	9.5	UCP317D1.....	44
ASPP207-105.....	UCP203-011T.....	1.5	UCPX10-115T.....	9.5	UCP317-304T.....	44
ASPP207-106.....	UCP204D1.....	1.5	UCPX10-200T.....	9.5	UCP318D1.....	53
ASPP207-107.....	UCP204-012T.....	1.5	UCPX11D1.....	13	UCP318-307T.....	53
	UCP205D1.....	1.8	UCPX11-202T.....	13	UCP318-308T.....	53
	UCP205-013T.....	1.8	UCPX11-203T.....	13	UCP319D1.....	64
	UCP205-014T.....	1.8	UCPX11-204T.....	13	UCP319-312T.....	64
	UCP205-015T.....	1.8	UCPX11-205T.....	13	UCP320D1.....	77
	UCP205-100T.....	1.8	UCPX12D1.....	16	UCP320-315T.....	77
	UCP206D1.....	2.9	UCPX12-206T.....	16	UCP320-400T.....	77
	UCP206-101T.....	2.9	UCPX12-207T.....	16	UCP321D1.....	77
	UCP206-102T.....	2.9	UCPX13D1.....	17	UCP322D1.....	99
	UCP206-103T.....	2.9	UCPX13-208T.....	17	UCP324D1.....	121
	UCP206-104T.....	2.9	UCPX13-209T.....	17	UCP326D1.....	159
	UCP207D1.....	3.5	UCPX14D1.....	22	UCP328D1.....	196
	UCP207-104T.....	3.5	UCPX14-210T.....	22		
	UCP207-105T.....	3.5	UCPX14-211T.....	22	UJELP2 SERIES	
	UCP207-106T.....	3.5	UCPX14-212T.....	22	UJELP204D1.....	1.5
	UCP207-107T.....	3.5	UCPX15D1.....	24	UJELP204-012T.....	1.5
	UCP208D1.....	4.2	UCPX15-213T.....	24	UJELP205D1.....	2.0
	UCP208-108T.....	4.2	UCPX15-214T.....	24	UJELP205-013T.....	2.0
	UCP208-109T.....	4.2	UCPX15-215T.....	24	UJELP205-014T.....	2.0
	UCP209D1.....	4.9	UCPX15-300T.....	24	UJELP205-015T.....	2.0
	UCP209-110T.....	4.9	UCPX16D1.....	33	UJELP205-100T.....	2.0
	UCP209-111T.....	4.9	UCPX16-302T.....	33	UJELP206D1.....	3.1
	UCP209-112T.....	4.9	UCPX16-303T.....	33	UJELP206-101T.....	3.1
	UCP210D1.....	5.7	UCPX16-304T.....	33	UJELP206-102T.....	3.1
	UCP210-113T.....	5.7	UCPX17D1.....	35	UJELP206-103T.....	3.1
	UCP210-114T.....	5.7	UCPX17-305T.....	35	UJELP206-104T.....	3.1
	UCP210-115T.....	5.7	UCPX17-307T.....	35	UJELP207D1.....	4.0
	UCP210-200T.....	5.7	UCPX18D1.....	37	UJELP207-104T.....	4.0
	UCP211D1.....	7.3	UCPX18-308T.....	37	UJELP207-105T.....	4.0
	UCP211-200T.....	7.3	UCPX20D1.....	66	UJELP207-106T.....	4.0
	UCP211-201T.....	7.3	UCPX20-314T.....	66	UJELP207-107T.....	4.0
	UCP211-202T.....	7.3	UCPX20-315T.....	66	UJELP208D1.....	4.4
	UCP211-203T.....	7.3	UCPX20-400T.....	66	UJELP208-108T.....	4.4
	UCP212D1.....	10			UJELP208-109T.....	4.4
	UCP212-204T.....	10	UCP3 SERIES		UJELP209D1.....	5.3
	UCP212-206T.....	10	UCP305D1.....	3.3	UJELP209-110T.....	5.3
	UCP212-207T.....	10	UCP305-014T.....	3.3	UJELP209-111T.....	5.3
	UCP213D1.....	13	UCP305-015T.....	3.3	UJELP209-112T.....	5.3
	UCP213-208T.....	13	UCP305-100T.....	3.3	UJELP210D1.....	6.2
	UCP214D1.....	15	UCP306D1.....	4.0	UJELP210-113T.....	6.2
	UCP214-211T.....	15	UCP306-102T.....	4.0	UJELP210-114T.....	6.2
	UCP214-212T.....	15	UCP306-103T.....	4.0	UJELP210-115T.....	6.2
	UCP215D1.....	16	UCP307D1.....	6.2	UJELP210-200T.....	6.2
	UCP215-215T.....	16	UCP307-104T.....	6.2	UJELP211D1.....	7.7
	UCP215-300T.....	16	UCP307-105T.....	6.2	UJELP211-200T.....	7.7
	UCP216D1.....	20	UCP307-106T.....	6.2	UJELP211-201T.....	7.7
	UCP216-302T.....	20	UCP307-107T.....	6.2	UJELP211-202T.....	7.7
	UCP217D1.....	24	UCP308D1.....	6.6	UJELP211-203T.....	7.7
	UCP217-304T.....	24	UCP308-108T.....	6.6	UJELP212D1.....	11
	UCP218D1.....	29	UCP309D1.....	9.0	UJELP212-204T.....	11
	UCP218-308T.....	29	UCP309-110T.....	9.0	UJELP212-206T.....	11
			UCP309-111T.....	9.0	UJELP212-207T.....	11
	UCPX SERIES		UCP309-112T.....	9.0	UJELP213D1.....	14
	UCPX05D1.....	3.3	UCP310D1.....	13	UJELP213-208T.....	14
	UCPX05-013T.....	3.3				

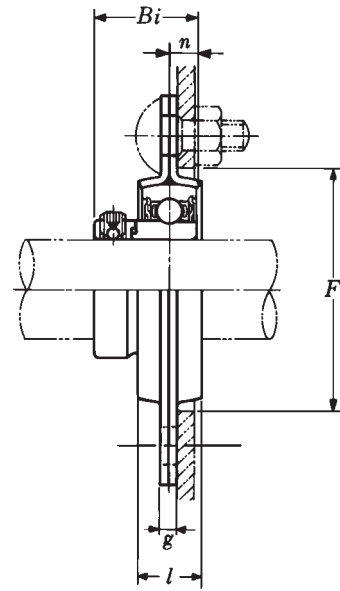
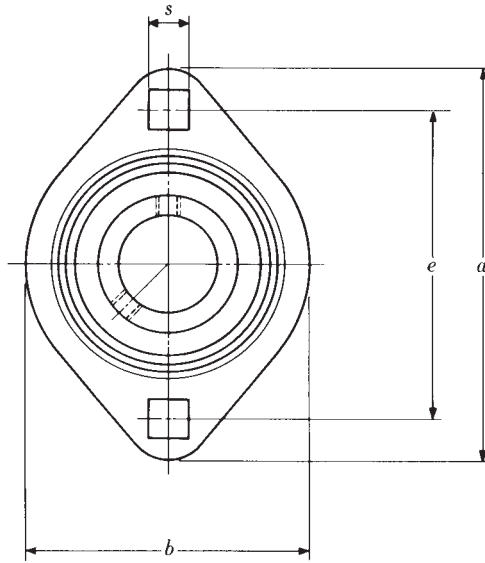


PILLOW BLOCKS

UELPL214D1.....	15	ASPL206-102.....	2.6	UCPL209D1.....	4.9	SAF22217.....	43
UELPL214-211T.....	15	ASPL206-103.....	2.6	UCPL209-110T.....	4.9	SAF22218.....	50
UELPL214-212T.....	15	ASPL206-104.....	2.6	UCPL209-111T.....	4.9	SAF22220.....	71
UELPL215D1.....	17	ASPL207.....	3.3	UCPL209-112T.....	4.9	SAF22222.....	81
UELPL215-215T.....	17	ASPL207-104.....	3.3	UCPL210D1.....	5.7	SAF22224.....	90
UELPL215-300T.....	17	ASPL207-105.....	3.3	UCPL210-113T.....	5.7	SAF22226.....	127
UELPL3 SERIES		ASPL207-106.....	3.3	UCPL210-114T.....	5.7	SAF22228.....	149
UELPL305D1.....	3.1	ASPL207-107.....	3.3	UCPL210-115T.....	5.7	SAF22230.....	175
UELPL305-014T.....	3.1	AELPL2 SERIES		UCPL210-200T.....	5.7	SAF22232.....	210
UELPL305-015T.....	3.1	AELPL201.....	1.3	UELPL2 SERIES		SAF22234.....	280
UELPL305-100T.....	3.1	AELPL201-008.....	1.3	UELPL204D1.....	1.5	SAF22236.....	305
UELPL306D1.....	4.2	AELPL202.....	1.3	UELPL204-012T.....	1.5	SAF22238.....	350
UELPL306-102T.....	4.2	AELPL202-009.....	1.3	UELPL205D1.....	1.8	SAF22240.....	420
UELPL306-103T.....	4.2	AELPL202-010.....	1.3	UELPL205-013T.....	1.8	SAF22244.....	590
UELPL307D1.....	6.4	AELPL203.....	1.3	UELPL205-014T.....	1.8	SAF22308.....	17
UELPL307-104T.....	6.4	AELPL203-011.....	1.3	UELPL205-015T.....	1.8	SAF22309.....	21
UELPL307-105T.....	6.4	AELPL204.....	1.5	UELPL205-100T.....	1.8	SAF22310.....	26
UELPL307-106T.....	6.4	AELPL204-012.....	1.5	UELPL206D1.....	3.1	SAF22311.....	31
UELPL307-107T.....	6.4	AELPL205.....	1.8	UELPL206-101T.....	3.1	SAF22312.....	37
UELPL308D1.....	6.8	AELPL205-013.....	1.8	UELPL206-102T.....	3.1	SAF22313.....	43
UELPL308-108T.....	6.8	AELPL205-014.....	1.8	UELPL206-103T.....	3.1	SAF22314.....	45
UELPL309D1.....	9.5	AELPL205-015.....	1.8	UELPL206-104T.....	3.1	SAF22315.....	58
UELPL309-110T.....	9.5	AELPL205-100.....	1.8	UELPL207D1.....	3.7	SAF22316.....	68
UELPL309-111T.....	9.5	AELPL206.....	2.6	UELPL207-104T.....	3.7	SAF22317.....	80
UELPL309-112T.....	9.5	AELPL206-101.....	2.6	UELPL207-105T.....	3.7	SAF22318.....	92
UELPL310D1.....	13	AELPL206-102.....	2.6	UELPL207-106T.....	3.7	SAF22320.....	109
UELPL310-114T.....	13	AELPL206-103.....	2.6	UELPL207-107T.....	3.7	SAF22322.....	145
UELPL310-115T.....	13	AELPL206-104.....	2.6	UELPL209D1.....	5.1	SAF22324.....	195
UELPL311D1.....	17	AELPL207.....	3.5	UELPL209-110T.....	5.1	SAF22326.....	235
UELPL311-200T.....	17	AELPL207-104.....	3.5	UELPL209-111T.....	5.1	SAF22328.....	300
UELPL311-202T.....	17	AELPL207-105.....	3.5	UELPL209-112T.....	5.1	SAF22330.....	335
UELPL311-203T.....	17	AELPL207-106.....	3.5	UELPL210D1.....	6.0	SAF22332.....	405
UELPL312D1.....	21	AELPL207-107.....	3.5	UELPL210-113T.....	6.0	SAF22334.....	465
UELPL312-204T.....	21	JELPL2 SERIES		UELPL210-114T.....	6.0	SAF22336.....	540
UELPL312-206T.....	21	JELPL201.....	1.3	UELPL210-115T.....	6.0	SAF22338.....	635
UELPL312-207T.....	21	JELPL201-008.....	1.3	UELPL210-200T.....	6.0	SAFS SERIES	
UELPL313D1.....	24	JELPL202.....	1.3	SAF SERIES		SAFS22509.....	11.6
UELPL313-208T.....	24	JELPL202-009.....	1.3	SAF22509.....	10.5	SAFS22510.....	12.7
UELPL314D1.....	26	JELPL202-010.....	1.3	SAF22510.....	11.5	SAFS22511.....	14.9
UELPL314-211T.....	26	JELPL203.....	1.3	SAF22511.....	13.5	SAFS22513.....	23
UELPL314-212T.....	26	JELPL203-011.....	1.3	SAF22513.....	21	SAFS22515.....	26
UELPL315D1.....	33	JELPL204.....	1.5	SAF22515.....	24	SAFS22516.....	41
UELPL315-215T.....	33	JELPL204-012.....	1.5	SAF22516.....	37	SAFS22517.....	44
UELPL315-300T.....	33	JELPL205.....	1.8	SAF22517.....	40	SAFS22518.....	54
UELPL316D1.....	42	JELPL205-013.....	1.8	SAF22518.....	49	SAFS22520.....	72
UELPL316-302T.....	42	JELPL205-014.....	1.8	SAF22520.....	65	SAFS22522.....	89
UELPL316-303T.....	42	JELPL205-015.....	1.8	SAF22522.....	81	SAFS22524.....	103
UELPL317D1.....	46	JELPL205-100.....	1.8	SAF22524.....	94	SAFS22526.....	151
UELPL317-304T.....	46	JELPL206.....	2.6	SAF22526.....	137	SAFS22528.....	175
UELPL318D1.....	55	JELPL206-101.....	2.6	SAF22528.....	159	SAFS22530.....	208
UELPL318-307T.....	55	JELPL206-102.....	2.6	SAF22530.....	189	SAFS22532.....	248
UELPL318-308T.....	55	JELPL206-103.....	2.6	SAF22532.....	225	SAFS22534.....	330
UELPL319D1.....	66	JELPL206-104.....	2.6	SAF22534.....	300	SAFS22536.....	363
UELPL319-312T.....	66	JELPL207.....	3.5	SAF22536.....	330	SAFS22538.....	413
UELPL320D1.....	82	JELPL207-104.....	3.5	SAF22538.....	375	SAFS22540.....	490
UELPL320-315T.....	82	JELPL207-105.....	3.5	SAF22540.....	445	SAFS22544.....	737
UELPL320-315T.....	82	JELPL207-106.....	3.5	SAF22544.....	670	SAFS22216.....	44
UELPL320-400T.....	82	JELPL207-107.....	3.5	SAF22609.....	22	SAFS22217.....	47
UELPL321D1.....	82	UCPL2 SERIES		SAF22610.....	27	SAFS22218.....	55
UELPL322D1.....	106	UCPL204D1.....	1.3	SAF22611.....	32	SAFS22220.....	78
ASPL2 SERIES		UCPL204-012T.....	1.3	SAF22613.....	44	SAFS22222.....	89
ASPL201.....	1.3	UCPL205D1.....	1.8	SAF22615.....	60	SAFS22224.....	99
ASPL201-008.....	1.3	UCPL205-013T.....	1.8	SAF22616.....	71	SAFS22226.....	140
ASPL202.....	1.3	UCPL205-014T.....	1.8	SAF22617.....	81	SAFS22228.....	164
ASPL202-009.....	1.3	UCPL205-015T.....	1.8	SAF22618.....	90	SAFS22230.....	193
ASPL202-010.....	1.3	UCPL205-100T.....	1.8	SAF22620.....	113	SAFS22232.....	231
ASPL203.....	1.1	UCPL206D1.....	2.6	SAF22622.....	151	SAFS22234.....	308
ASPL203-011.....	1.1	UCPL206-101T.....	2.6	SAF22624.....	201	SAFS22236.....	336
ASPL204.....	1.3	UCPL206-102T.....	2.6	SAF22626.....	245	SAFS22238.....	385
ASPL204-012.....	1.3	UCPL206-103T.....	2.6	SAF22628.....	310	SAFS22240.....	462
ASPL205.....	1.5	UCPL206-104T.....	2.6	SAF22630.....	350	SAFS22244.....	649
ASPL205-013.....	1.5	UCPL207D1.....	3.5	SAF22632.....	420		
ASPL205-014.....	1.5	UCPL207-104T.....	3.5	SAF22634.....	485		
ASPL205-015.....	1.5	UCPL207-105T.....	3.5	SAF22636.....	570		
ASPL205-100.....	1.5	UCPL207-106T.....	3.5	SAF22638.....	665		
ASPL206.....	2.6	UCPL207-107T.....	3.5	SAF22216.....	40		
ASPL206-101.....	2.6						



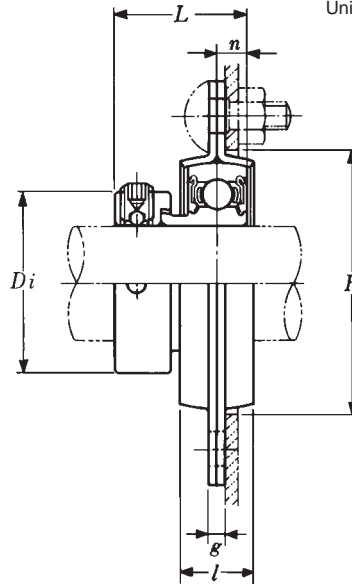
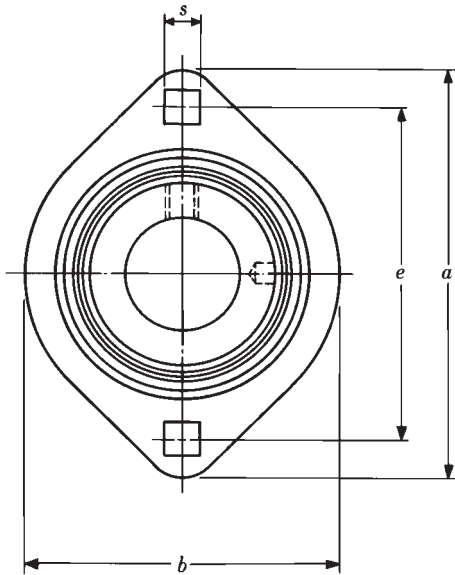
Units: **Millimeters**
INCHES



FLANGED UNITS - PRESSED STEEL HOUSING (TWO BOLT)

Shaft Dia.	Complete Flanged Unit Number	Nominal Dimensions								Bolt Size	Housing Number	Bearing Number	Basic Load Ratings (lbs)		Max. Radial Load ^① (lbs)
		a	e	g	s	l	Bi	n	(min) F				Dynamic C	Static C ₀	
12 ½	ASPFL201 ASPFL201-008	81 3 ⅜	63 2 1 ½	4 .157	7 ⅞	14 ⅞	22 .866	6 .236	49 1 1 ½	M6 ¼	PFL203 PFL203	AS201 AS201-008	2,160	1,040	600
15 9/16	ASPFL202 ASPFL202-009 ASPFL202-010	81 3 ⅜	63 2 1 ½	4 .157	7 ⅞	14 ⅞	22 .866	6 .236	49 1 1 ½	M6 ¼	PFL203 PFL203 PFL203	AS202 AS202-009 AS202-010	2,160	1,040	600
17 1 1/16	ASPFL203 *ASPFL203-011	81 3 ⅜	63 2 1 ½	4 .157	7 ⅞	14 ⅞	22 .866	6 .236	49 1 1 ½	M6 ¼	PFL203 PFL203	AS203 AS206-011	2,160	1,040	600
20 ¾	ASPFL204 ASPFL204-012	90 3 1 7/8	71 2 2 5/8	4 .157	9 2 3/4	16 5/8	25 .984	7 .276	56 2 7/8	M8 5/16	PFL204 PFL204	AS204 AS204-012	2,890	1,500	660
25 1 3/16 7/8 1 1/4 1 1/8	ASPFL205 ASPFL205-013 ASPFL205-014 ASPFL205-015 ASPFL205-100	95 3 ¾	76 3	4 .157	9 2 3/4	18 2 3/8	27 1.063	7.5 .295	60 2 ¾	M8 5/16	PFL205 PFL205 PFL205 PFL205 PFL205	AS205 AS205-013 AS205-014 AS205-015 AS205-100	3,150	1,770	880
30 1 1/16 1 1/8 1 3/16	ASPFL206 ASPFL206-101 ASPFL206-102 ASPFL206-103 *ASPFL206-104	113 4 7/16	90 3 1 7/8	5.2 .205	11 7/16	18 2 3/8	29 1.142	8 .315	71 2 25/32	M10 3/8	PFL206 PFL206 PFL206 PFL206 PFL206	AS206 AS206-101 AS206-102 AS206-103 AS206-104	4,400	2,540	1,100
35 1 ¼ 1 5/16 1 ¾ 1 7/16	ASPFL207 ASPFL207-104 ASPFL207-105 ASPFL207-106 *ASPFL207-107	122 4 1 3/16	100 3 1 5/16	5.2 .205	11 7/16	20 2 5/8	34 1.339	8.5 .335	81 3 3/16	M10 3/8	PFL207 PFL207 PFL207 PFL207 PFL207	AS207 AS207-104 AS207-105 AS207-106 AS207-107	5,750	3,440	1,300

① Axial load should be less than 1/3 of radial load.
* Unit with notched set screw as standard.



Units: **Millimeters**
INCHES



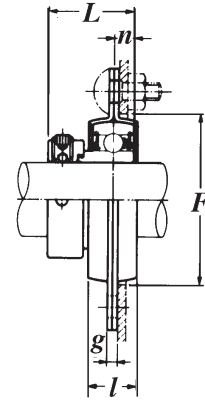
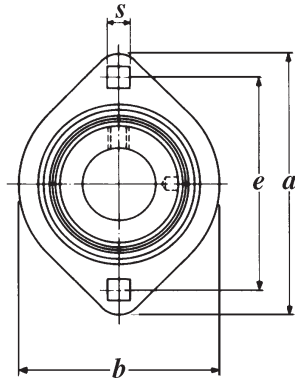
FLANGED UNITS - PRESSED STEEL HOUSING (TWO BOLT)

Shaft Dia.	Complete Flanged Unit Number	Nominal Dimensions										Bolt Size	Housing Number	Bearing Number	Basic Load Ratings (lbs)		Max. Radial Load ^① (lbs)
		a	e	g	s	l	b	Di	L	n	(min) F				Dynamic C	Static C ₀	
12 ½	AELPFL201 AELPFL201-008	81 3 ¾	63 2 15/32	4 .157	7 7/32	14 9/16	59 2 5/16	29 1.14	28.6 1.126	6.5 .256	49 1 15/16	M6 ¼	PFL203 PFL203	AEL201 AEL201-088	2,160	1,040	600
15 9/16 5/8	AELPFL202 AELPFL202-009 AELPFL202-010	81 3 ¾	63 2 15/32	4 .157	7 7/32	14 9/16	59 2 5/16	29 1.14	28.6 1.126	6.5 .256	49 1 15/16	M6 ¼	PFL203 PFL203 PFL203	AEL202 AEL202-009 AEL202-010	2,160	1,040	600
17 1 1/16	AELPFL203 AELPFL203-011	81 3 ¾	63 2 15/32	4 .157	7 7/32	14 9/16	59 2 5/16	29 1.14	28.6 1.126	6.5 .256	49 1 15/16	M6 ¼	PFL203 PFL203	AEL203 AEL203-011	2,160	1,040	600
20 ¾	AELPFL204 AELPFL204-012	90 3 11/32	71 2 25/32	4 .157	9 23/64	16 5/8	67 2 5/8	33.3 1.31	31 1.220	7.5 .295	56 2 7/32	M8 5/16	PFL204 PFL204	AEL204 AEL204-012	2,890	1,500	660
25 1 3/16 7/8 1 1/16 1	AELPFL205 AELPFL205-013 AELPFL205-014 AELPFL205-015 AELPFL205-100	95 3 ¾	76 3	4 .157	9 23/64	18 23/32	71 2 25/32	38.1 1.50	31 1.220	7.5 .295	60 2 3/8	M8 5/16	PFL205 PFL205 PFL205 PFL205 PFL205	AEL205 AEL205-013 AEL205-014 AEL205-015 AEL205-100	3,150	1,770	880
30 1 1/16 1 1/8 1 3/16 1 1/4	AELPFL206 AELPFL206-101 AELPFL206-102 AELPFL206-103 AELPFL206-104	113 4 7/16	90 3 17/32	5.2 .205	11 7/16	18 23/32	84 3 1/4	44.5 1.75	35.7 1.406	9 .354	71 2 25/32	M10 3/8	PFL206 PFL206 PFL206 PFL206	AEL206 AEL206-101 AEL206-102 AEL206-103 AEL206-104	4,400	2,540	1,100
35 1 1/4 1 5/16 1 3/8 1 7/16	AELPFL207 AELPFL207-104 AELPFL207-105 AELPFL207-106 AELPFL207-107	122 4 13/16	100 3 15/16	5.2 .205	11 7/16	20 25/32	94 3 11/16	55.6 2.19	38.9 1.531	9.5 .374	81 3 3/16	M10 3/8	PFL207 PFL207 PFL207 PFL207	AEL207 AEL207-104 AEL207-105 AEL207-106 AEL207-107	5,750	3,440	1,300

① Axial load should be less than 1/3 of radial load.

NTN
SERIES
JELPFL2
ECCENTRIC
LOCKING
COLLAR
TYPE

Units: **Millimeters**
INCHES

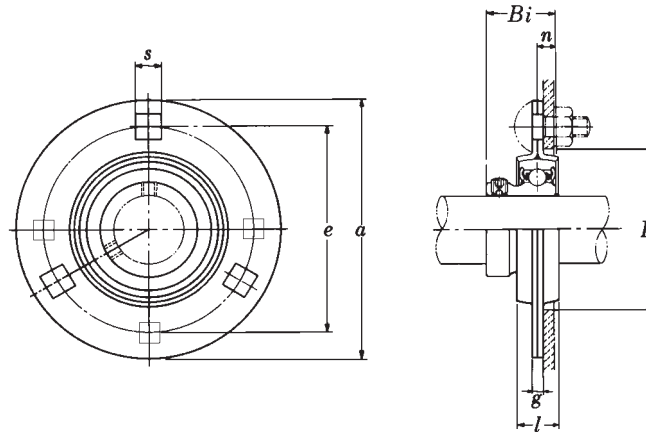


FLANGED UNITS - PRESSED STEEL HOUSING (TWO BOLT)

Shaft Dia.	Complete Flanged Unit Number	Nominal Dimensions										Bolt Size	Housing Number	Bearing Number	Basic Load Ratings (lbs)		Max. Radial Load ^① (lbs)
		a	e	g	s	l	b	Di	L	n	(min) F				Dynamic C	Static Co	
12 ½	JELPFL201 JELPFL201-008	81 3 ¾	63 2 15/32	4 .157	7 9/32	14 9/16	59 2 5/16	29 1.14	28.6 1.126	6.5 .256	49 1 15/16	M6 ¼	PFL203 PFL203	JEL201 JEL201-088	2,160	1,030	600
15 9/16 5/8	JELPFL202 JELPFL202-009 JELPFL202-010	81 3 ¾	63 2 15/32	4 .157	7 9/32	14 9/16	59 2 5/16	29 1.14	28.6 1.126	6.5 .256	49 1 15/16	M6 ¼	PFL203 PFL203 PFL203	JEL202 JEL202-009 JEL202-010	2,160	1,030	600
17 1 1/16	JELPFL203 JELPFL203-011	81 3 ¾	63 2 15/32	4 .157	7 9/32	14 9/16	59 2 5/16	29 1.14	28.6 1.126	6.5 .256	49 1 15/16	M6 ¼	PFL203 PFL203	JEL203 JEL203-011	2,160	1,030	600
20 ¾	JELPFL204 JELPFL204-012	90 3 17/32	71 2 25/32	4 .157	9 23/64	16 5/8	67 2 5/8	33.3 1.31	31 1.220	7.5 .295	56 2 7/32	M8 5/16	PFL204 PFL204	JEL204 JEL204-012	2,890	1,500	660
25 1 3/16 7/8 1 1/16 1	JELPFL205 JELPFL205-013 JELPFL205-014 JELPFL205-015 JELPFL205-100	95 3 ¾	76 3	4 .157	9 23/64	18 23/32	71 2 25/32	38.1 1.50	31 1.220	7.5 .295	60 2 3/8	M8 5/16	PFL205 PFL205 PFL205 PFL205	JEL205 JEL205-013 JEL205-014 JEL205-015 JEL205-100	3,150	1,770	880
30 1 1/16 1 1/8 1 3/16 1 1/4	JELPFL206 JELPFL206-101 JELPFL206-102 JELPFL206-103 JELPFL206-104	113 4 7/16	90 3 17/32	5.2 .205	11 7/16	18 23/32	84 3 5/16	44.5 1.75	35.7 1.406	9 .354	71 2 29/32	M10 3/8	PFL206 PFL206 PFL206 PFL206	JEL206 JEL206-101 JEL206-102 JEL206-103 JEL206-104	4,400	2,540	1,100
35 1 1/4 1 5/16 1 3/8 1 7/16	JELPFL207 JELPFL207-104 JELPFL207-105 JELPFL207-106 JELPFL207-107	122 4 13/16	100 3 15/16	5.2 .205	11 7/16	20 25/32	94 3 11/16	55.6 2.19	38.9 1.531	9.5 .374	81 3 3/16	M10 3/8	PFL207 PFL207 PFL207 PFL207	JEL207 JEL207-104 JEL207-105 JEL207-106 JEL207-107	5,750	3,450	1,300

① Axial load should be less than 1/3 of radial load.

Units: **Millimeters**
INCHES



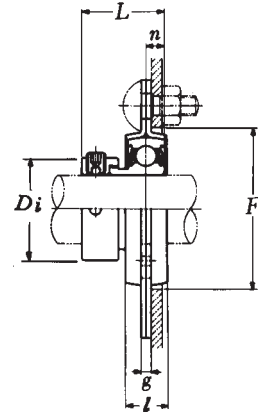
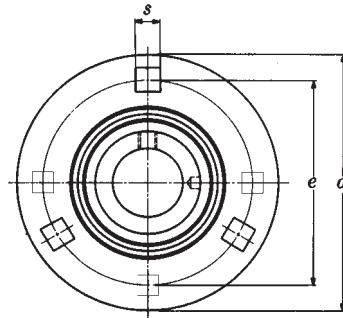
FLANGED UNITS - PRESSED STEEL HOUSING (THREE BOLT)

Shaft Dia.	Complete Flanged Unit Number	Nominal Dimensions									Bolt Size	Housing Number	Bearing Number	Basic Load Ratings (lbs)		Max. Radial Load ^① (lbs)
		a	e	g	s	l	Bi	n	(min) F	Dynamic C				Static C ₀		
12 ½	ASPF201 ASPF201-008	81 3 ⅜	63 2 1 5/32	4 .157	7 ⅞	14 ⅞	22 .866	6 .236	49 1 15/16	M6 ¼	PF203 PF203	AS201 AS201-008	2,160	1,040	600	
15 9/16 5/8	ASPF202 ASPF202-009 ASPF202-010	81 3 ⅜	63 2 1 5/32	4 .157	7 ⅞	14 ⅞	22 .866	6 .236	49 1 15/16	M6 ¼	PF203 PF203 PF203	AS202 AS202-009 AS202-010	2,160	1,040	600	
17 1 1/16	ASPF203 *ASPF203-011	81 3 ⅜	63 2 1 5/32	4 .157	7 ⅞	14 ⅞	22 .866	6 .236	49 1 15/16	M6 ¼	PF203 PF203	AS203 AS203-011	2,160	1,040	600	
20 ¾	ASPF204 ASPF204-012	90 3 1 7/32	71 2 2 5/32	4 .157	9 2 3/64	16 ⅝	25 .984	7 .276	56 2 7/32	M8 ⅝	PF204 PF204	AS204 AS204-012	2,890	1,500	660	
25 1 3/16 7/8 1 1/8 1 1/4	ASPF205 ASPF205-013 ASPF205-014 ASPF205-015 ASPF205-100	95 3 ¾	76 3	4 .157	9 2 3/64	18 2 3/32	27 1.063	7.5 .295	60 2 ¾	M8 ⅝	PF205 PF205 PF205 PF205	AS205 AS205-013 AS205-014 AS205-015 AS205-100	3,150	1,770	880	
30 1 1/8 1 1/4 1 3/8 1 1/2	ASPF206 ASPF206-101 ASPF206-102 ASPF206-103 *ASPF206-104	113 4 7/16	90 3 1 1/32	5.2 .205	11 7/16	18 2 3/32	29 1.142	8 .315	71 2 25/32	M10 ¾	PF206 PF206 PF206 PF206	AS206 AS206-101 AS206-102 AS206-103 AS206-104	4,400	2,540	1,100	
35 1 1/4 1 5/16 1 3/8 1 7/16	ASPF207 ASPF207-104 ASPF207-105 ASPF207-106 *ASPF207-107	122 4 13/16	100 3 1 5/16	5.2 .205	11 7/16	20 2 5/32	34 1.339	8.5 .335	81 3 3/16	M10 ¾	PF207 PF207 PF207 PF207	AS207 AS207-104 AS207-105 AS207-106 AS207-107	5,750	3,440	1,300	
40 1 1/2 1 9/16	ASPF208 ASPF208-108 ASPF208-109	148 5 1 1/16	119 4 1 1/16	6.8 .268	★ 14 ⅞	21 1 1/16	38 1.496	9 .354	91 3 9/16	M12 ½	PF208 PF208 PF208	AS208 AS208-108 AS208-109	6,550	4,000	1,500	

① Axial load should be less than 1/3 of radial load.
* Unit with notched set screw as standard.
★ ASPF208 has four bolt holes.

NTN
SERIES
AELPF2
ECCENTRIC
LOCKING
COLLAR
TYPE

Units: **Millimeters**
INCHES

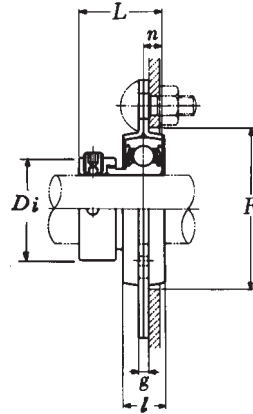
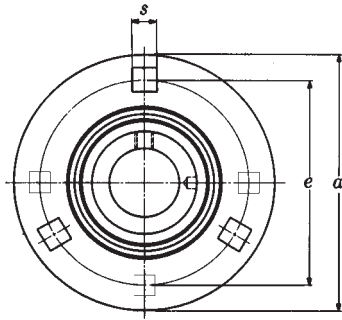


FLANGED UNITS - PRESSED STEEL HOUSING (THREE BOLT)

Shaft Dia.	Complete Flanged Unit Number	Nominal Dimensions									Bolt Size	Housing Number	Bearing Number	Basic Load Ratings (lbs)		Max. Radial Load ¹ (lbs)
		a	e	g	s	l	Bi	n	(min) F	Dynamic C				Static Co		
12 ½	AELPF201 AELPF201-008	81 3 ¾	63 2 ½	4 .157	7 ⅞	14 ⅞	29 1.14	6.5 .256	49 1 ⅞	M6 ¼	PF203	AEL201 AEL201-008	2160	1040	600	
15 ⅝	AELPF202 AELPF202-009 AELPF202-010	81 3 ¾	63 2 ½	4 .157	7 ⅞	14 ⅞	29 1.14	6.5 .256	49 1 ⅞	M6 ¼	PF203 PF203 PF203	AEL202 AEL202-009 AEL202-010	2160	1040	600	
17 1 ⅛	AELPF203 AELPF203-011	81 3 ¾	63 2 ½	4 .157	7 ⅞	14 ⅞	29 1.14	6.5 .256	49 1 ⅞	M6 ¼	PF203	AEL203 AEL203-011	2160	1040	600	
20 ¾	AELPF204 AELPF204-012	90 3 17/32	71 2 25/32	4 .157	9 23/64	16 5/8	33.3 1.31	7.5 .295	56 2 7/32	M8 5/16	PF204	AEL204 AEL204-012	2890	1500	660	
25 1 3/16 7/8 1 5/16 1	AELPF205 AELPF205-013 AELPF205-014 AELPF205-015 AELPF205-100	95 3 ¾	76 3	4 .157	9 23/64	18 23/32	38.1 1.50	7.5 .295	60 2 3/8	M8 5/16	PF205 PF205 PF205 PF205	AEL205 AEL205-013 AEL205-014 AEL205-015 AEL205-100	3150	1770	880	
30 1 1/16 1 1/8 1 3/16 1 ¼	AELPF206 AELPF206-101 AELPF206-102 AELPF206-103 AELPF206-104	113 4 7/16	90 3 17/32	5.2 .205	11 7/16	18 23/32	44.5 1.75	9 .354	71 2 25/32	M10 3/8	PF206 PF206 PF206 PF206	AEL206 AEL206-101 AEL206-102 AEL206-103 AEL206-104	4400	2540	1100	
35 1 ¼ 1 5/16 1 ¾ 1 7/16	AELPF207 AELPF207-104 AELPF207-105 AELPF207-106 AELPF207-107	122 4 13/16	100 3 15/16	5.2 .205	11 7/16	20 25/32	55.6 2.19	9.5 .374	81 3 3/16	M10 3/8	PF207 PF207 PF207 PF207	AEL207 AEL207-104 AEL207-105 AEL207-106 AEL207-107	5750	3440	1300	
40 1 ½ 1 9/16	AELPF208 AELPF208-108 AELPF208-109	148 5 13/16	119 4 1 1/16	6.8 .268	★ 14 9/16	21 1 1/16	60 2.36	11 .433	91 3 9/16	M12 ½	PF208 PF208 PF208	AEL208 AEL208-108 AEL208-109	6550	4000	1500	

¹ Axial load should be less than 1/3 of radial load.
 * Unit with notched set screw as standard.
 ★ AELPF208 has four bolt holes.

Units: **Millimeters**
INCHES



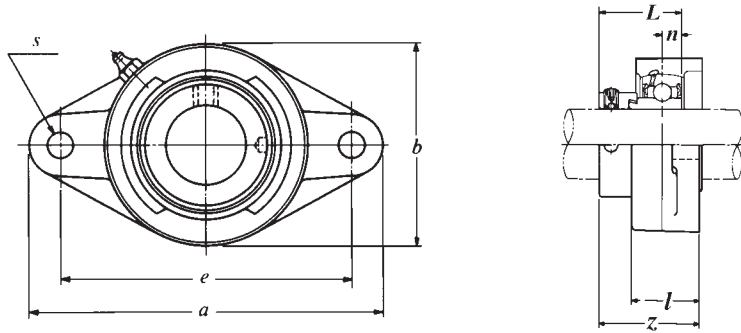
FLANGED UNITS - PRESSED STEEL HOUSING (THREE BOLT)

Shaft Dia.	Complete Flanged Unit Number	Nominal Dimensions									Bolt Size	Housing Number	Bearing Number	Basic Load Ratings (lbs)		Max. Radial Load (lbs)
		a	e	g	s	l	Di	L	n	(min) F				Dynamic C	Static Co	
12 ½	JELPF201 JELPF201-008	81 3 ¾	63 2 1½	4 .157	7 ⅞	14 ¾	29 1.14	28.6 1.126	6.5 .256	49 1 15/16	M6 ¼	PF203 PF203	JEL201 JEL201-008	2160	1030	600
15 9/16	JELPF202 JELPF202-009 JELPF202-010	81 3 ¾	63 2 1½	4 .157	7 ⅞	14 ¾	29 1.14	28.6 1.126	6.5 .256	49 1 15/16	M6 ¼	PF203 PF203 PF203	JEL202 JEL202-009 JEL202-010	2160	1030	600
17 1 1/16	JELPF203 JELPF203-011	81 3 ¾	63 2 1½	4 .157	7 ⅞	14 ¾	29 1.14	28.6 1.126	6.5 .256	49 1 15/16	M6 ¼	PF203 PF203	JEL203 JEL203-011	2160	1030	600
20 ¾	JELPF204 JELPF204-012	90 3 13/16	71 2 25/32	4 .157	9 23/64	16 5/8	33.3 1.31	31 1.220	7.5 .295	56 2 7/32	M8 5/16	PF204 PF204	JEL204 JEL204-012	2890	1500	660
25 1 3/16	JELPF205 JELPF205-013 JELPF205-014 JELPF205-015 JELPF205-100	95 3 ¾	76 3	4 .157	9 23/64	18 23/32	38.1 1.50	31 1.220	7.5 .295	60 2 3/8	M8 5/16	PF205 PF205 PF205 PF205	JEL205 JEL205-013 JEL205-014 JEL205-015 JEL205-100	3150	1770	880
30 1 1/16	JELPF206 JELPF206-101 JELPF206-102 JELPF206-103 JELPF206-104	113 4 7/16	90 3 13/32	5.2 .205	11 7/16	18 23/32	44.5 1.75	35.7 1.406	9 .354	71 2 25/32	M10 3/8	PF206 PF206 PF206 PF206	JEL206 JEL206-101 JEL206-102 JEL206-103 JEL206-104	4400	2540	1100
35 1 1/4	JELPF207 JELPF207-104 JELPF207-105 JELPF207-106 JELPF207-107	122 4 13/16	100 3 15/16	5.2 .205	11 7/16	20 25/32	55.6 2.19	38.9 1.531	9.5 .374	81 3 3/16	M10 3/8	PF207 PF207 PF207 PF207	JEL207 JEL207-104 JEL207-105 JEL207-106 JEL207-107	5750	3450	1300
40 1 1/2	JELPF208 JELPF208-108 JELPF208-109	148 5 13/16	119 4 1/16	6.8 .268	★ 14 ⅞	21 1 1/16	60 2.36	43.7 1.720	11 .433	91 3 9/16	M12 ½	PF208 PF208 PF208	JEL208 JEL208-108 JEL208-109	6550	4000	1500

ⓘ Axial load should be less than 1/3 of radial load.
★ JELPF208 has four bolt holes.

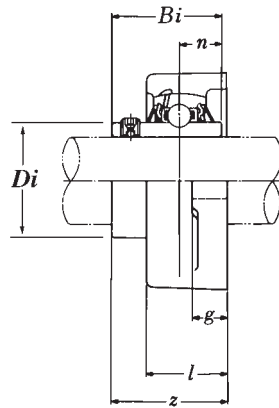
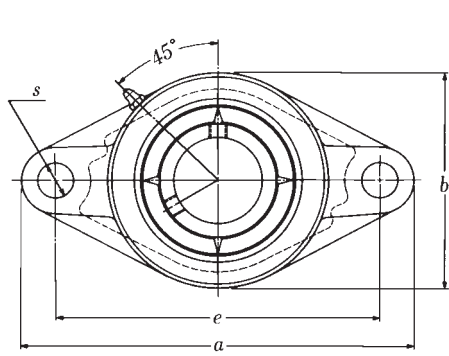
NTN
SERIES
JELFL2
ECCENTRIC
LOCKING
COLLAR
TYPE

Units: **Millimeters**
INCHES

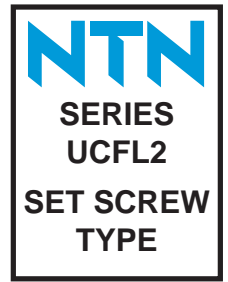


FLANGED UNITS - CAST HOUSING (TWO BOLT)

Shaft Diameter	Complete Flanged Unit Number D ₁	Nominal Dimensions									Bolt Size	Housing Number	Bearing Number	Basic Load Ratings (lbs)	
		a	e	s	b	l	z	L	n	Dynamic C				Static C ₀	
20 ¾	JELFL204D1W3 JELFL204-012D1W3	113 4 7/16	90 3 35/64	12 15/32	60 2 3/8	25.5 1	38.5 1 33/64	31.0 1.220	7.5 .295	M10 5/16	FL204D1 FL204D1	JEL204D1W3 JEL204-012D1W3	2,890	1,500	
25 1 1/16 7/8 15/16 1	JELFL205D1W3 JELFL205-013D1W3 JELFL205-014D1W3 JELFL205-015D1W3 JELFL205-100D1W3	130 5 1/8	99 3 57/64	16 5/8	68 2 11/16	27 1 1/16	39.5 1 9/16	31.0 1.220	7.5 .295	M14 1/2	FL205D1 FL205D1	JEL205D1W3 JEL205-013D1W3 JEL205-014D1W3 JEL205-015D1W3 JEL205-100D1W3	3,150	1,770	
30 1 1/16 1 1/8 1 3/16 1 1/4	JELFL206D1W3 JELFL206-101D1W3 JELFL206-102D1W3 JELFL206-103D1W3 JELFL206-104D1W3	148 5 13/16	117 4 39/64	16 5/8	80 3 5/12	31 1 7/32	44.7 1 49/64	35.7 1.406	9 .354	M14 1/2	FL206D1 FL206D1	JEL206D1W3 JEL206-101D1W3 JEL206-102D1W3 JEL206-103D1W3 JEL206-104D1W3	4,400	2,540	
35 1 1/4 1 5/16 1 3/8 1 7/16	JELFL207D1W3 JELFL207-104D1W3 JELFL207-105D1W3 JELFL207-106D1W3 JELFL207-107D1W3	161 6 11/32	130 5 1/8	16 5/8	90 3 17/32	34 1 11/32	48.4 1 29/32	38.9 1.531	9.5 .374	M14 1/2	FL207D1 FL207D1	JEL207D1W3 JEL207-104D1W3 JEL207-105D1W3 JEL207-106D1W3 JEL207-107D1W3	5,750	3,440	
40 1 1/2 1 9/16	JELFL208D1W3 JELFL208-108D1W3 JELFL208-109D1W3	175 6 7/8	144 5 43/64	16 5/8	100 3 15/16	36 1 11/32	53.7 2 7/16	43.7 1.720	11 .433	M14 1/2	FL208D1 FL208D1	JEL208D1W3 JEL208-108D1W3 JEL208-109D1W3	6,550	4,000	
45 1 5/8 1 11/16 1 3/4	JELFL209D1W3 JELFL209-110D1W3 JELFL209-111D1W3 JELFL209-112D1W3	188 7 13/32	148 5 53/64	19 3/4	108 4 1/4	38 1 1/2	54.7 2 5/32	43.7 1.720	11 .433	M16 5/8	FL209D1 FL209D1	JEL209D1W3 JEL209-110D1W3 JEL209-111D1W3 JEL209-112D1W3	7,350	4,590	
50 1 13/16 1 7/8 1 15/16 2	JELFL210D1W3 JELFL210-113D1W3 JELFL210-114D1W3 JELFL210-115D1W3 JELFL210-220D1W3	197 7 3/4	157 6 3/16	19 3/4	115 4 17/32	40 1 9/16	54.7 2 5/32	43.7 1.720	11 .433	M16 5/8	FL210D1 FL210D1	JEL210D1W3 JEL210-113D1W3 JEL210-114D1W3 JEL210-115D1W3 JEL210-220D1W3	7,900	5,220	
55 2 2 1/16 2 1/8 2 3/16	JELFL211D1W3 JELFL211-200D1W3 JELFL211-201D1W3 JELFL211-202D1W3 JELFL211-203D1W3	224 8 13/16	184 7 61/64	19 3/4	130 5 1/8	43 1 11/16	61.4 2 27/64	48.4 1.906	12 .472	M16 5/8	FL211D1 FL211D1	JEL211D1W3 JEL211-200D1W3 JEL211-201D1W3 JEL211-202D1W3 JEL211-203D1W3	9,750	6,570	
60 2 1/4 2 5/16 2 3/8	JELFL212D1W3 JELFL212-204D1W3 JELFL212-205D1W3 JELFL212-206D1W3	250 9 27/32	202 7 61/64	23 29/32	140 5 1/2	48 1 7/8	68.6 2 45/64	53.1 2.091	13.5 .531	M20 3/4	FL212D1 FL212D1	JEL212D1W3 JEL212-204D1W3 JEL212-205D1W3 JEL212-206D1W3	11,800	8,100	



Units: **Millimeters**
INCHES

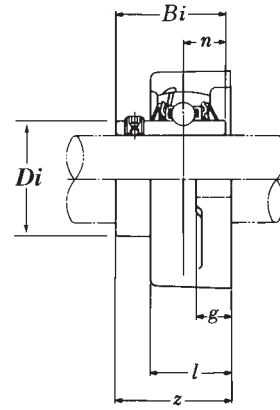
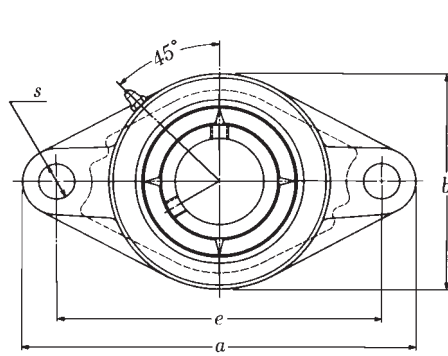


FLANGED UNITS - CAST HOUSING (TWO BOLT)

Shaft Dia.	Complete Flanged Unit Number	Nominal Dimensions									Bolt Size	Housing Number	Bearing Number	Basic Load Ratings (lbs)	
		a	e	g	l	s	b	z	Bi	n				Dynamic C	Static Co
12 1/2	UCFL201D1 UCFL201-008T	113 4 7/16	90 3 17/32	11 7/16	25.5 1	12 25/64	60 2 3/8	33.3 1 9/16	31 1.220	12.7 .500	M10 5/16	FL204D1 FL204T	UC201D1 UC201-008D1	2,890	1,500
15 9/16 5/8	UCFL202D1 UCFL202-009T UCFL202-010T	113 4 7/16	90 3 17/32	11 7/16	25.5 1	12 25/64	60 2 3/8	33.3 1 9/16	31 1.220	12.7 .500	M10 5/16	FL204D1 FL204T FL204T	UC202D1 UC202-009D1 UC202-010D1	2,890	1,500
17 11/16	UCFL203D1 UCFL203-011T	113 4 7/16	90 3 17/32	11 7/16	25.5 1	12 25/64	60 2 3/8	33.3 1 9/16	31 1.220	12.7 .500	M10 5/16	FL204D1 FL204T	UC203D1 UC203-011D1	2,890	1,500
20 3/4	UCFL204D1 UCFL204-012T	113 4 7/16	90 3 17/32	11 7/16	25.5 1	12 25/64	60 2 3/8	33.3 1 9/16	31 1.220	12.7 .500	M10 5/16	FL204D1 FL204T	UC204D1 UC204-012D1	2,890	1,500
25 13/16 7/8 15/16 1	UCFL205D1 UCFL205-013T UCFL205-014T UCFL205-015T UCFL205-100T	130 5 1/8	99 3 29/32	13 1/2	27 1 1/16	16 15/32	68 2 11/16	35.7 1 13/32	34 1.339	14.3 .563	M14 3/8	FL205D1 FL205T FL205T FL205T FL205T	UC205D1 UC205-013D1 UC205-014D1 UC205-015D1 UC205-100D1	3,150	1,770
30 1 1/16 1 1/8 1 3/16 1 1/4	UCFL206D1 UCFL206-101T UCFL206-102T UCFL206-103T UCFL206-104T	148 5 13/16	117 4 19/32	13 1/2	31 1 7/32	16 29/64	80 3 5/8	40.2 1 37/64	38.1 1.500	15.9 .626	M14 3/8	FL206D1 FL206T FL206T FL206T FL206T	UC206D1 UC206-101D1 UC206-102D1 UC206-103D1 UC206-104D1	4,400	2,540
35 1 1/4 1 5/16 1 3/8 1 7/16	UCFL207D1 UCFL207-104T UCFL207-105T UCFL207-106T UCFL207-107T	161 6 1/32	130 5 1/8	15 19/32	34 1 11/32	16 33/64	90 3 17/32	44.4 1 3/4	42.9 1.689	17.5 .689	M14 7/16	FL207D1 FL207T FL207T FL207T FL207T	UC207D1 UC207-104D1 UC207-105D1 UC207-106D1 UC207-107D1	5,750	3,440
40 1 1/2 1 9/16	UCFL208D1 UCFL208-108T UCFL208-109T	175 6 7/8	144 5 21/32	15 19/32	36 1 13/32	16 33/64	100 3 15/16	51.2 2 1/64	49.2 1.937	19 .748	M14 7/16	FL208D1 FL208T FL208T	UC208D1 UC208-108D1 UC208-109D1	6,550	4,000
45 1 5/8 1 11/16 1 3/4	UCFL209D1 UCFL209-110T UCFL209-111T UCFL209-112T	188 7 13/32	148 5 13/16	16 5/8	38 1 1/2	19 37/64	108 4 1/4	52.2 2 1/16	49.2 1.937	19 .748	M16 1/2	FL209D1 FL209T FL209T FL209T	UC209D1 UC209-110D1 UC209-111D1 UC209-112D1	7,350	4,590
50 1 13/16 1 7/8 1 15/16 2	UCFL210D1 UCFL210-113T UCFL210-114T UCFL210-115T UCFL210-200T	197 7 3/4	157 6 3/16	16 5/8	40 1 9/16	19 37/64	115 4 17/32	54.6 2 3/32	51.6 2.031	19 .748	M16 1/2	FL210D1 FL210T FL210T FL210T FL210T	UC210D1 UC210-113D1 UC210-114D1 UC210-115D1 UC210-200D1	7,900	5,220
55 2 2 1/16 2 1/8 2 3/16	UCFL211D1 UCFL211-200T UCFL211-201T UCFL211-202T UCFL211-203T	224 8 13/16	184 7 1/4	18 23/32	43 1 11/16	19 21/32	130 5 1/8	58.4 2 19/64	55.6 2.189	22.2 .874	M16 9/16	FL211D1 FL211T FL211T FL211T FL211T	UC211D1 UC211-200D1 UC211-201D1 UC211-202D1 UC211-203D1	9,750	6,570
60 2 1/4 2 3/8 2 7/16	UCFL212D1 UCFL212-204T UCFL212-206T UCFL212-207T	250 9 27/32	202 7 15/16	18 23/32	48 1 7/8	23 29/32	140 5 1/2	68.7 2 45/64	65.1 2.563	25.4 1.000	M20 3/4	FL212D1 FL212T FL212T FL212T	UC212D1 UC212-204D1 UC212-206D1 UC212-207D1	11,800	8,100
65 2 1/2	UCFL213D1 UCFL213-208T	258 10 9/32	210 8 3/32	22 7/8	50 1 31/32	23 29/32	155 6 3/32	69.7 2 3/4	65.1 2.563	25.4 1.000	M20 3/4	FL213D1 FL213T	UC213D1 UC213-208D1	12,900	9,000
70 2 11/16 2 3/4	UCFL214D1 UCFL214-211T UCFL214-212T	265 10 7/16	216 8 1/2	22 7/8	54 2 1/8	23 29/32	160 6 3/16	75.4 2 31/32	74.6 2.937	30.2 1.189	M20 3/4	FL214D1 FL214T FL214T	UC214D1 UC214-211D1 UC214-212D1	14,000	9,900
75 2 15/16 3	UCFL215D1 UCFL215-215T UCFL215-300T	275 10 13/16	225 8 27/32	22 7/8	56 2 7/32	23 29/32	165 6 1/2	78.5 3 3/32	77.8 3.063	33.3 1.311	M20 3/4	FL215D1 FL215T FL215T	UC215D1 UC215-215D1 UC215-300D1	14,900	11,100
80 3 1/8	UCFL216D1 UCFL216-302T	290 11 13/32	233 9 3/16	22 7/8	58 2 9/32	25 63/64	180 7 3/32	83.3 3 9/32	82.6 3.252	33.3 1.311	M22 7/8	FL216D1 FL216T	UC216D1 UC216-302D1	16,300	11,900
85 3 1/4	UCFL217D1 UCFL217-304T	305 12	248 9 3/4	24 15/16	63 2 15/32	25 63/64	190 7 15/32	87.6 3 29/64	85.7 3.374	34.1 1.343	M22 7/8	FL217D1 FL217T	UC217D1 UC217-304D1	18,700	14,400
90 3 1/2	UCFL218D1 UCFL218-308T	320 12 1/32	265 10 7/16	24 15/16	68 2 11/16	25 63/64	205 8 1/16	96.3 3 51/64	96 3.780	39.7 1.563	M22 7/8	FL218D1 FL218T	UC218D1 UC218-308D1	21,600	16,100

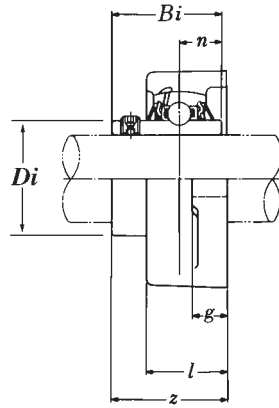
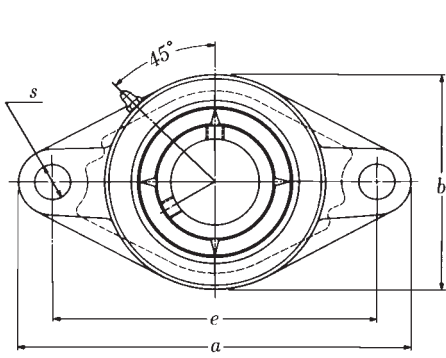


Units: **Millimeters**
INCHES

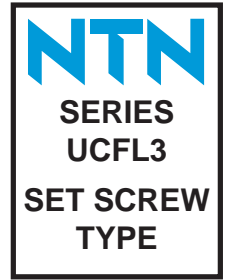


FLANGED UNITS - CAST HOUSING (TWO BOLT)

Shaft Dia.	Complete Flanged Unit Number	Nominal Dimensions									Bolt Size	Housing Number	Bearing Number	Basic Load Ratings (lbs)	
		a	e	g	l	s	b	z	Bi	n				Dynamic C	Static Co
25 1 13/16 7/8 1 15/16 1	UCFLX05D1 UCFLX05-013T UCFLX05-014T UCFLX05-015T UCFLX05-100T	141 5 9/16	117 4 1 3/32	13 1/2	30 1 3/16	12 1 15/32	83 3 1/2	40.2 1 19/32	38.1 1.500	15.9 .626	M10 3/8	FLX05D1 FLX05T FLX05T FLX05T FLX05T	UCX05D1 UCX05-013D1 UCX05-014D1 UCX05-015D1 UCX05-100D1	4,390	2,540
30 1 1/16 1 1/8 1 3/16 1 1/4	UCFLX06D1 UCFLX06-101T UCFLX06-102T UCFLX06-103T UCFLX06-104T	156 6 1/8	130 5 1/8	15 19/32	34 1 11/32	16 5/8	95 3 3/4	44.4 1 3/4	42.9 1.689	17.5 .689	M14 1/2	FLX06D1 FLX06T FLX06T FLX06T FLX06T	UCX06D1 UCX06-101D1 UCX06-102D1 UCX06-103D1 UCX06-104D1	5,780	3,440
35 1 5/16 1 3/8 1 7/16	UCFLX07D1 UCFLX07-105T UCFLX07-106T UCFLX07-107T	171 6 3/4	144 5 21/32	16 5/8	38 1 1/2	16 5/8	105 4 1/8	51.2 2 1/32	49.2 1.937	19 .748	M14 1/2	FLX07D1 FLX07T FLX07T FLX07T	UCX07D1 UCX07-105D1 UCX07-106D1 UCX07-107D1	6,550	4,000
40 1 1/2 1 9/16	UCFLX08D1 UCFLX08-108T UCFLX08-109T	179 7 1/16	148 5 27/32	16 5/8	40 1 9/16	16 5/8	111 4 3/8	52.2 2 1/16	49.2 1.937	19 .748	M14 1/2	FLX08D1 FLX08T FLX08T	UCX08D1 UCX08-108D1 UCX08-109D1	7,310	4,590
45 1 5/8 1 11/16 1 3/4 1 13/16	UCFLX09D1 UCFLX09-110T UCFLX09-111T UCFLX09-112T UCFLX09-113T	189 7 7/16	157 6 3/16	16 5/8	40 1 9/16	16 5/8	116 4 9/16	55.6 2 3/16	51.6 2.031	19 .748	M14 1/2	FLX09D1 FLX09T FLX09T FLX09T FLX09T	UCX09D1 UCX09-110D1 UCX09-111D1 UCX09-112D1 UCX09-113D1	7,870	5,220
50 1 7/8 1 15/16 2	UCFLX10D1 UCFLX10-114T UCFLX10-115T UCFLX10-200T	216 8 1/2	184 7 1/4	18 23/32	44 1 23/32	19 3/4	133 5 1/4	59.4 2 11/32	55.6 2.189	22.2 .874	M16 5/8	FLX10D1 FLX10T FLX10T FLX10T	UCX10D1 UCX10-114D1 UCX10-115D1 UCX10-200D1	9,780	6,570



Units: **Millimeters**
INCHES

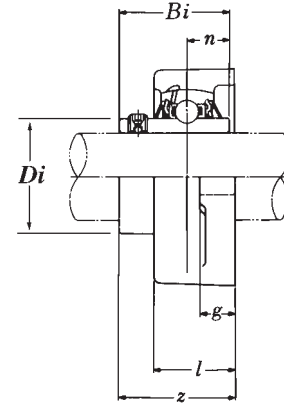
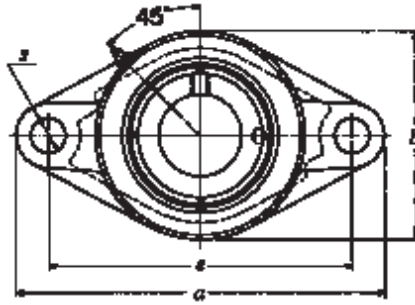


FLANGED UNITS - CAST HOUSING (TWO BOLT)

Shaft Dia.	Complete Flanged Unit Number	Nominal Dimensions									Bolt Size	Housing Number	Bearing Number	Basic Load Ratings (lbs)	
		a	e	g	l	s	b	z	Bi	n				Dynamic C	Static C ₀
25 7/8 1 1/16 1	UCFL305D1 UCFL305-014T UCFL305-015T UCFL305-100T	150 5 29/32	113 4 7/16	13 1/2	29 1 5/32	19 3/4	80 3 5/32	39 1 17/32	38 1.496	15 .591	M16 5/8	FL305D1 FL305T FL305T FL305T	UC305D1 UC305-014D1 UC305-015D1 UC305-100D1	4,750	2,460
30 1 1/8 1 3/16	UCFL306D1 UCFL306-102T UCFL306-103T	180 7 3/32	134 5 9/32	15 19/32	32 1 1/4	23 29/32	90 3 17/32	44 1 47/64	43 1.693	17 .669	M20 3/4	FL306D1 FL306T FL306T	UC306D1 UC306-102D1 UC306-103D1	6,000	3,400
35 1 1/4 1 5/16 1 3/8 1 7/16	UCFL307D1 UCFL307-104T UCFL307-105T UCFL307-106T UCFL307-107T	185 7 5/32	141 5 9/16	16 5/8	36 1 13/32	23 29/32	100 3 15/16	49 1 59/64	48 1.890	19 .748	M20 3/4	FL307D1 FL307T FL307T FL307T FL307T	UC307D1 UC307-104D1 UC307-105D1 UC307-106D1 UC307-107D1	7,500	4,300
40 1 1/2	UCFL308D1 UCFL308-108T	200 7 7/8	158 6 7/8	17 29/32	40 1 9/16	23 29/32	112 4 13/32	56 2 13/64	52 2.047	19 .748	M20 3/4	FL308D1 FL308T	UC308D1 UC308-108D1	9,150	5,400
45 1 5/8 1 11/16 1 3/4	UCFL309D1 UCFL309-110T UCFL309-111T UCFL309-112T	230 9 1/16	177 6 31/32	18 23/32	44 1 23/32	25 63/64	125 4 29/32	60 2 23/64	57 2.244	22 .866	M22 7/8	FL309D1 FL309T FL309T FL309T	UC309D1 UC309-110D1 UC309-111D1 UC309-112D1	11,900	7,200
50 1 7/8 1 5/16	UCFL310D1 UCFL310-114T UCFL310-115T	240 9 7/16	187 7 3/8	19 3/4	48 1 7/8	25 63/64	140 5 1/2	67 2 41/64	61 2.402	22 .866	M22 7/8	FL310D1 FL310T FL310T	UC310D1 UC310-114D1 UC310-115D1	13,900	8,600
55 2 2 1/8 2 3/16	UCFL311D1 UCFL311-200T UCFL311-202T UCFL311-203T	250 9 27/32	198 7 25/32	20 29/32	52 2 1/16	25 63/64	150 5 29/32	71 2 51/64	66 2.598	25 .984	M22 7/8	FL311D1 FL311T FL311T FL311T	UC311D1 UC311-200D1 UC311-202D1 UC311-203D1	16,100	10,100
60 2 1/4 2 3/8 2 7/16	UCFL312D1 UCFL312-204T UCFL312-206T UCFL312-207T	270 10 5/8	212 8 11/32	22 7/8	56 2 7/32	31 1 7/32	160 6 5/16	78 3 5/64	71 2.795	26 1.024	M27 1	FL312D1 FL312T FL312T FL312T	UC312D1 UC312-204D1 UC312-206D1 UC312-207D1	18,400	11,700
65 2 1/2	UCFL313D1 UCFL313-208T	295 11 5/8	240 9 7/16	25 31/32	58 2 9/32	31 1 7/32	175 6 7/8	78 3 5/64	75 2.953	30 1.181	M27 1	FL313D1 FL313T	UC313D1 UC313-208D1	20,800	13,400
70 2 11/16 2 3/4	UCFL314D1 UCFL314-211T UCFL314-212T	315 12 13/32	250 9 27/32	28 1 3/32	61 2 13/32	35 1 3/8	185 7 9/32	81 3 3/16	78 3.071	33 1.299	M30 1 1/8	FL314D1 FL314T FL314T	UC314D1 UC314-211D1 UC314-212D1	23,400	15,300
75 2 5/16 3	UCFL315D1 UCFL315-215T UCFL315-300T	320 12 19/32	260 10 1/4	30 1 3/16	66 2 19/32	35 1 3/8	195 7 11/16	89 3 1/2	82 3.228	32 1.260	M30 1 1/8	FL315D1 FL315T FL315T	UC315D1 UC315-215D1 UC315-300D1	25,500	17,400
80 3 1/8 3 3/16	UCFL316D1 UCFL316-302T UCFL316-303T	355 13 31/32	285 11 7/32	32 1 1/4	68 2 11/16	38 1 1/2	210 8 9/32	90 3 39/64	86 3.386	34 1.339	M33 1 1/4	FL315D1 FL316T FL316T	UC316D1 UC316-302D1 UC316-303D1	27,600	19,500
85 3 1/4	UCFL317D1 UCFL317-304T	370 14 9/16	300 11 13/16	32 1 1/4	74 2 29/32	38 1 1/2	220 8 21/32	100 3 15/16	96 3.780	40 1.575	M33 1 1/4	FL317D1 FL317T	UC317D1 UC317-304D1	29,800	21,800
90 3 7/16 3 1/2	UCFL318D1 UCFL318-307T UCFL318-308T	385 15 5/32	315 12 13/32	36 1 13/32	76 3	38 1 1/2	235 9 1/4	100 3 15/16	96 3.780	40 1.575	M33 1 1/4	FL318D1 FL318T FL318T	UC318D1 UC318-307D1 UC318-308D1	32,000	24,100
95 3 3/4	UCFL319D1 UCFL319-312T	405 15 19/16	330 13	40 1 9/16	94 3 11/16	41 1 39/64	250 9 27/32	121 4 49/64	103 4.055	41 1.614	M36 1 3/8	FL319D1 FL319T	UC319D1 UC319-312D1	34,500	26,600
100 3 15/16 4	UCFL320D1 UCFL320-315T UCFL320-400T	440 17 9/16	360 14 3/16	40 1 9/16	94 3 11/16	44 1 47/64	270 10 5/8	125 4 59/64	108 4.252	42 1.654	M39 1 1/2	FL320D1 FL320T FL320T	UC320D1 UC320-315D1 UC320-400D1	39,000	31,500
105	UCFL321D1	440	360	40	94	44	270	127	112	44	M39	FL321D1	UC321D1	41,500	34,500
110	UCFL322D1	470	390	42	96	44	300	131	117	46	M39	FL322D1	UC322D1	46,000	40,500
120	UCFL324D1	520	430	48	110	47	330	140	126	51	M42	FL324D1	UC324D1	46,500	41,500
130	UCFL326D1	550	460	50	115	47	360	146	135	54	M42	FL326D1	UC326D1	51,500	48,000
140	UCFL328D1	600	500	60	125	51	400	161	145	59	M45	FL328D1	UC328D1	57,000	55,500

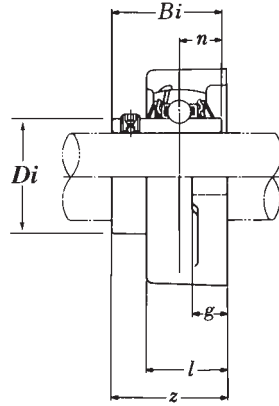
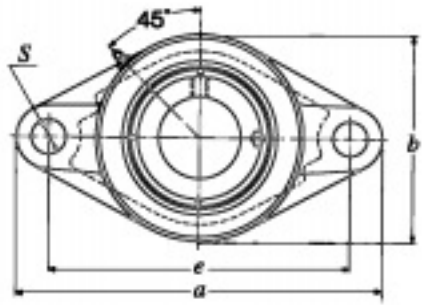
NTN
SERIES
UELFL2
ECCENTRIC
LOCKING
COLLAR
TYPE

Units: **Millimeters**
INCHES



FLANGED UNITS - CAST HOUSING (TWO BOLT)

Shaft Dia.	Complete Flanged Unit Number	Nominal Dimensions									Bolt Size	Housing Number	Bearing Number	Basic Load Ratings (lbs)	
		a	e	g	l	s	z	Bi	Di	n				Dynamic C	Static Co
20 3/4	UELFL204D1 UELFL204-012T	113 4 7/16	90 3 17/32	11 7/16	25.5 1	12 25/64	41.6 1 41/64	43.7 1.720	33 1.299	17.1 .673	M10 5/16	FL204D1 FL204T	UEL204D1 UEL204-012D1	2,890	1,500
25 1 13/16 7/8 1 1/16 1	UELFL205D1 UELFL205-013T UELFL205-014T UELFL205-015T UELFL205-100T	130 5 1/8	99 3 29/32	13 1/2	27 1 1/16	16 15/32	42.9 1 11/16	44.4 1.748	38 1.496	17.5 .689	M14 3/8	FL205D1 FL205T FL205T FL205T FL205T	UEL205D1 UEL205-013D1 UEL205-014D1 UEL205-015D1 UEL205-100D1	3,150	1,770
30 1 1/16 1 1/8 1 3/16 1 1/4	UELFL206D1 UELFL206-101T UELFL206-102T UELFL206-103T UELFL206-104T	148 5 13/16	117 4 19/32	13 1/2	31 1 7/32	16 29/64	48.1 1 57/64	48.4 1.906	44.5 1.752	18.3 .720	M14 3/8	FL206D1 FL206T FL206T FL206T FL206T	UEL206D1 UEL206-101D1 UEL206-102D1 UEL206-103D1 UEL206-104D1	4,400	2,540
35 1 1/4 1 5/16 1 3/8 1 7/16	UELFL207D1 UELFL207-104T UELFL207-105T UELFL207-106T UELFL207-107T	161 6 1/8	130 5 3/8	15 19/32	34 1 1/32	16 29/64	51.3 2 1/64	51.1 2.012	55.5 2.185	18.8 .740	M14 7/16	FL207D1 FL207T FL207T FL207T FL207T	UEL207D1 UEL207-104D1 UEL207-105D1 UEL207-106D1 UEL207-107D1	5,750	3,440
40 1 1/2 1 9/16	UELFL208D1 UELFL208-108T UELFL208-109T	175 6 7/8	144 5 21/32	15 19/32	36 1 13/32	16 33/64	55.9 2 13/64	56.3 2.217	60 2.362	21.4 .843	M14 7/16	FL207D1 FL208T FL208T	UEL208D1 UEL208-108D1 UEL208-109D1	6,550	4,000
45 1 5/8 1 11/16 1 3/4	UELFL209D1 UELFL209-110T UELFL209-111T UELFL209-112T	188 7 13/32	148 5 13/16	16 9/8	38 1 1/2	19 37/64	56.9 2 15/64	56.3 2.217	63.5 2.500	21.4 .843	M16 1/2	FL209D1 FL209T FL209T FL209T	UEL209D1 UEL209-110D1 UEL209-111D1 UEL209-112D1	7,350	4,590
50 1 13/16 1 7/8 1 9/16 2	UELFL210D1 UELFL210-113T UELFL210-114T UELFL210-115T UELFL210-200T	197 7 3/4	157 6 3/16	16 5/8	40 1 9/16	19 37/64	60.1 2 23/64	62.7 2.469	69.5 2.736	24.6 .969	M16 1/2	FL210D1 FL210T FL210T FL210T FL210T	UEL210D1 UEL210-113D1 UEL210-114D1 UEL210-115D1 UEL210-200D1	7,900	5,220
55 2 2 1/16 2 1/8 2 3/16	UELFL211D1 UELFL211-200T UELFL211-201T UELFL211-202T UELFL211-203T	224 8 13/16	184 7 1/4	18 23/32	43 1 11/16	19 21/32	68.6 2 45/64	71.4 2.811	76 2.992	27.8 1.094	M16 9/16	FL211D1 FL211T FL211T FL211T FL211T	UEL211D1 UEL211-200D1 UEL211-201D1 UEL211-202D1 UEL211-203D1	9,750	6,570
60 2 1/4 2 3/8 2 7/16	UELFL212D1 UELFL212-204T UELFL212-206T UELFL212-207T	250 9 27/32	202 7 15/16	18 23/32	48 1 7/8	23 29/32	75.8 2 63/64	77.8 3.063	84 3.307	31 1.220	M20 3/4	FL212D1 FL212T FL212T FL212T	UEL212D1 UEL212-204D1 UEL212-206D1 UEL212-207D1	11,800	8,100
65 2 1/2	UELFL213D1 UELFL213-208T	258 10 5/32	210 8 9/32	22 7/8	50 1 31/32	23 29/32	81.55 3 13/64	85.7 3.374	97 3.819	34.15 1.344	M20 3/4	FL213D1 FL213T	UEL213D1 UEL213-208D1	12,900	9,000
70 2 11/16 2 3/4	UELFL214D1 UELFL214-211T UELFL214-212T	265 10 7/16	216 8 1/2	22 7/8	54 2 1/8	23 29/32	82.55 3 1/4	85.7 3.374	97 3.819	34.15 1.344	M20 3/4	FL214D1 FL214T FL214T	UEL214D1 UEL214-211D1 UEL214-212D1	14,000	9,900
75 2 15/16 3	UELFL215D1 UELFL215-215T UELFL215-300T	275 10 13/16	225 8 27/32	22 7/8	56 2 1/32	23 29/32	88.7 3 31/64	92 3.622	102 4.016	37.3 1.469	M20 3/4	FL215D1 FL215T FL215T	UEL215D1 UEL215-215D1 UEL215-300D1	14,900	11,130



Units: **Millimeters**
INCHES

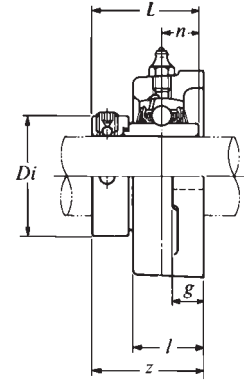
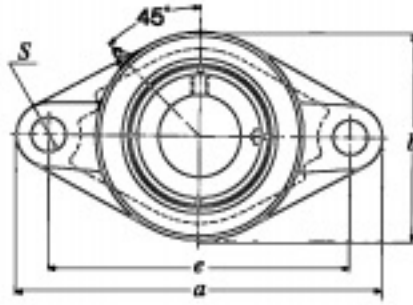


FLANGED UNITS - CAST HOUSING (TWO BOLT)

Shaft Dia.	Complete Flanged Unit Number	Nominal Dimensions									Bolt Size	Housing Number	Bearing Number	Basic Load Ratings (lbs)	
		a	e	g	l	s	z	Bi	Di	n				Dynamic C	Static Co
25 7/8 1 1/16 1	UELFL305D1 UELFL305-014T UELFL305-015T UELFL305-100T	150 5 29/32	113 4 7/16	13 1/2	29 1 5/32	19 3/4	46.1 1 13/16	46.8 1.843	42.8 1.685	16.7 .657	M16 5/8	FL305D1 FL305T FL305T FL305T	UEL305D1 UEL305-014D1 UEL305-015D1 UEL305-100D1	4,750	2,460
30 1 1/8 1 3/16	UELFL306D1 UELFL306-102T UELFL306-103T	180 7 3/32	134 5 9/32	15 19/32	32 1 1/4	23 29/32	50.5 1 63/64	50 1.969	50 1.969	17.5 .689	M20 3/4	FL306D1 FL306T FL306T	UEL306D1 UEL306-102D1 UEL306-103D1	6,000	3,400
35 1 1/4 1 5/16 1 3/8 1 7/16	UELFL307D1 UELFL307-104T UELFL307-105T UELFL307-106T UELFL307-107T	185 7 9/32	141 5 9/16	16 5/8	36 1 13/32	23 29/32	53.3 2 3/32	51.6 2.031	55 2.165	18.3 .720	M20 3/4	FL307D1 FL307T FL307T FL307T FL307T	UEL307D1 UEL307-104D1 UEL307-105D1 UEL307-106D1 UEL307-107D1	7,500	4,300
40 1 1/2	UELFL308D1 UELFL308-108T	200 7 7/8	158 6 7/32	17 2 1/32	40 1 9/16	23 29/32	60.3 3 3/8	57.1 2.248	63.5 2.500	19.8 .780	M20 3/4	FL308D1 FL308T	UEL308D1 UEL308-108D1	9,150	5,400
45 1 5/8 1 11/16 1 3/4	UELFL309D1 UELFL309-110T UELFL309-111T UELFL309-112T	230 9 1/16	177 6 31/32	18 23/32	44 1 23/32	25 63/64	63.9 2 33/64	58.7 2.311	70 2.756	19.8 .780	M22 7/8	FL309D1 FL309T FL309T FL309T	UEL309D1 UEL309-110D1 UEL309-111D1 UEL309-112D1	11,900	7,200
50 1 7/8 1 15/16	UELFL310D1 UELFL310-114T UELFL310-115T	240 9 7/16	187 7 3/8	19 3/4	48 1 7/8	25 63/64	70 2 3/4	66.6 2.622	76.2 3.000	24.6 .969	M22 7/8	FL310D1 FL310T FL310T	UEL310D1 UEL310-114D1 UEL310-115D1	13,900	8,600
55 2 2 1/8 2 3/16	UELFL311D1 UELFL311-200T UELFL311-202T UELFL311-203T	250 9 27/32	198 7 29/32	20 29/32	52 2 1/16	25 63/64	75.2 2 61/64	73 2.874	83 3.268	27.8 1.094	M22 7/8	FL311D1 FL311T FL311T FL311T	UEL311D1 UEL311-200D1 UEL311-202D1 UEL311-203D1	16,100	10,100
60 2 1/4 2 3/8 2 7/16	UELFL312D1 UELFL312-204T UELFL312-206T UELFL312-207T	270 10 5/8	212 8 11/32	22 7/8	56 2 7/32	31 1 7/32	81.45 3 13/64	79.4 3.126	89 3.504	30.95 1.219	M27 1	FL312D1 FL312T FL312T FL312T	UEL312D1 UEL312-204D1 UEL312-206D1 UEL312-207D1	18,400	11,700
65 2 1/2	UELFL313D1 UELFL313-208T	295 11 5/8	240 9 7/16	25 3 1/32	58 2 9/32	31 1 7/32	86.15 3 25/64	85.7 3.374	97 3.819	32.55 1.281	M27 1	FL313D1 FL313T	UEL313D1 UEL313-208D1	20,800	13,400
70 2 11/16 2 3/4	UELFL314D1 UELFL314-211T UELFL314-212T	315 12 13/32	250 9 27/32	28 1 3/32	61 2 13/32	35 1 3/8	93.95 3 45/64	92.1 3.626	102 4.016	34.15 1.344	M30 1 1/8	FL314D1 FL314T FL314T	UEL314D1 UEL314-211D1 UEL314-212D1	23,400	15,300
75 2 15/16 3	UELFL315D1 UELFL315-215T UELFL315-300T	320 12 19/32	260 10 1/4	30 1 3/16	66 2 19/32	35 1 3/8	101.7 4	100 3.937	113 4.449	37.3 1.469	M30 1 1/8	FL315D1 FL315T FL315T	UEL315D1 UEL315-215D1 UEL315-300D1	25,500	17,400
80 3 1/8 3 3/16	UELFL316D1 UELFL316-302T UELFL316-303T	355 13 31/32	285 11 7/32	32 1 1/4	68 2 11/16	38 1 1/2	103.9 4 3/32	106.4 4.189	119 4.685	40.5 1.594	M33 1 1/4	FL316D1 FL316T FL316T	UEL316D1 UEL316-302D1 UEL316-303D1	27,600	19,500
85 3 1/4	UELFL317D1 UELFL317-304T	370 14 9/16	300 11 13/16	32 1 1/4	74 2 29/32	38 1 1/2	111.45 4 25/64	109.5 4.311	127 5.000	42.05 1.656	M33 1 1/4	FL317D1 FL317T	UEL317D1 UEL317-304D1	29,800	21,800
90 3 7/16 3 1/2	UELFL318D1 UELFL318-307T UELFL318-308T	385 15 5/32	315 12 13/32	36 1 13/32	76 3	38 1 1/2	116.25 4 37/64	115.9 4.563	133 5.236	43.65 1.719	M33 1 1/4	FL318D1 FL318T FL318T	UEL318D1 UEL318-307D1 UEL318-308D1	32,000	24,100
95 3 3/4	UELFL319D1 UELFL319-312T	405 15 15/16	330 13	40 1 9/16	94 3 11/16	41 1 39/64	142.4 5 39/64	122.3 4.815	140 5.512	38.9 1.531	M36 1 3/8	FL319D1 FL319T	UEL319D1 UEL319-312D1	34,500	26,600
100 3 15/16 4	UELFL320D1 UELFL320-315T UELFL320-400T	440 17 5/16	360 14 3/16	40 1 9/16	94 3 11/16	44 1 47/64	137.6 5 27/64	128.6 5.063	146 5.748	50 1.969	M39 1 1/2	FL320D1 FL320T FL320T	UEL320D1 UEL320-315D1 UEL320-400D1	39,000	31,500
105	UELFL321D1	440	360	40	94	44	150.3	139.7	157	48.4	M39	FL321D1	UEL321D1	41,500	34,500
110	UELFL322D1	470	390	42	96	44	152.1	141.3	168	49.2	M39	FL322D1	UEL322D1	46,000	40,500

NTN
SERIES
UELFLU2
ECCENTRIC
LOCKING
COLLAR
TYPE

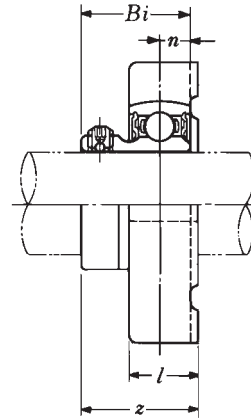
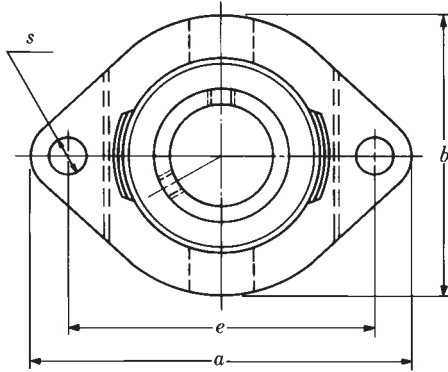
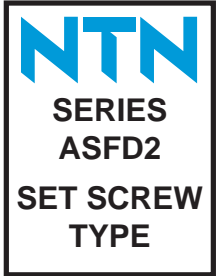
Units: **Millimeters**
INCHES



FLANGED UNITS - CAST HOUSING (TWO BOLT)

Shaft Dia.	Complete Flanged Unit Number	Nominal Dimensions										Bolt Size	Housing Number	Bearing Number	Basic Load Ratings (lbs)	
		a	e	g	l	s	b	z	L	Di	n				Dynamic C	Static Co
20 3/4	UELFLU204D1 UELFLU204-012T	113 4 7/16	90 3 17/32	15 19/32	29.5 1 5/32	11.5 25/64	61 2 13/32	45.6 1 51/64	43.7 1.720	33.3 1.31	17.1 .673	M10 5/16	FLU204D1 FLU204T	UEL204D1 UEL204-012D1	2,890	1,500
25 1 1/16 7/8 15/16 1	UELFLU205D1 UELFLU205-013T UELFLU205-014T UELFLU205-015T UELFLU205-100T	125 4 29/32	99 3 29/32	15 19/32	30 1 1/16	11.5 29/64	70 2 3/4	45.9 1 11/16	44.4 1.748	38.1 1.50	17.5 .689	M10 3/8	FLU205D1 FLU205T FLU205T FLU205T FLU205T	UEL205-013D1 UEL205-014D1 UEL205-015D1 UEL205-100D1	3,150	1,770
30 1 1/8 1 1/8 1 3/8 1 1/4	UELFLU206D1 UELFLU206-101T UELFLU206-102T UELFLU206-103T UELFLU206-104T	142 5 19/32	116.5 4 19/32	16 5/8	33 1 1/16	11.5 29/64	83 3 3/32	50.1 1 31/32	48.4 1.906	44.5 1.75	18.3 .720	M10 3/8	FLU206D1 FLU206T FLU206T FLU206T FLU206T	UEL206D1 UEL206-101D1 UEL206-102D1 UEL206-103D1 UEL206-104D1	4,400	2,540
35 1 1/4 1 5/8 1 3/8 1 7/8	UELFLU207D1 UELFLU207-104T UELFLU207-105T UELFLU207-106T UELFLU207-107T	156 6 5/32	130 5 1/8	17 21/32	36 1 13/32	14 33/64	96 3 25/32	53.3 2 3/32	51.1 2.012	55.6 2.19	18.8 .740	M12 7/16	FLU207D1 FLU207T FLU207T FLU207T FLU207T	UEL207D1 UEL207-104D1 UEL207-105D1 UEL207-106D1 UEL207-107D1	5,750	3,440
40 1 1/2 1 1/16	UELFLU208D1 UELFLU208-108T UELFLU208-109T	172 6 25/32	143.5 5 21/32	17 21/32	39 1 17/32	14 33/64	105 4 1/8	58.9 2 5/16	56.3 2.217	60.2 2.37	21.4 .843	M12 7/16	FLU208D1 FLU208T FLU208T	UEL208D1 UEL208-108D1 UEL208-109D1	6,550	4,000
45 1 5/8 1 11/16 1 3/4	UELFLU209D1 UELFLU209-110T UELFLU209-111T UELFLU209-112T	180 7 3/32	148.5 5 27/32	18 23/32	40 1 1/16	16 37/64	111 4 3/8	58.9 2 5/16	56.3 2.217	63.5 2.50	21.4 .843	M14 1/2	FLU209D1 FLU209T FLU209T FLU209T	UEL209D1 UEL209-110D1 UEL209-111D1 UEL209-112D1	7,350	4,590
50 1 13/16 1 7/8 1 15/16 2	UELFLU210D1 UELFLU210-113T UELFLU210-114T UELFLU210-115T UELFLU210-200T	190 7 19/32	157 6 3/16	20 25/32	46 1 13/16	18 37/64	116 4 9/16	66.1 2 39/64	62.7 2.469	69.9 2.75	24.6 .969	M16 1/2	FLU210D1 FLU210T FLU210T FLU210T FLU210T	UEL210D1 UEL210-113D1 UEL210-114D1 UEL210-115D1 UEL210-200D1	7,900	5,220
55 2 2 1/8 2 1/8 2 3/16	UELFLU211D1 UELFLU211-200T UELFLU211-201T UELFLU211-202T UELFLU211-203T	217 8 17/32	184 7 1/4	21 13/16	49 1 19/16	18 21/32	134 5 3/32	74.6 2 15/16	71.4 2.811	76.2 3.00	27.8 1.094	M16 5/16	FLU211D1 FLU211T FLU211T FLU211T FLU211T	UEL211D1 UEL211-200D1 UEL211-201D1 UEL211-202D1 UEL211-203D1	9,750	6,570
60 2 1/4 2 3/8 2 7/16	UELFLU212D1 UELFLU212-204T UELFLU212-206T UELFLU212-207T	235 9 1/4	202 7 15/16	21 13/16	53 2 3/32	18 21/32	138 5 7/16	80.8 2 3/16	77.8 3.063	84.1 3.31	31 1.220	M16 5/16	FLU212D1 FLU212T FLU212T FLU212T	UEL212D1 UEL212-204D1 UEL212-206D1 UEL212-207D1	11,800	8,100
65 2 1/2	UELFLU213D1 UELFLU213-208T	248 9 3/4	210 8 5/32	22 7/8	59 2 5/16	20.5 13/16	152 5 33/32	89.55 3 17/32	85.7 3.374	97.0 3.82	34.15 1.344	M18 5/8	FLU213D1 FLU213T	UEL213D1 UEL213-208D1	12,900	9,000
70 2 11/16 2 3/4	UELFLU214D1 UELFLU214-211T UELFLU214-212T	257 10 1/8	216 8 1/2	22 7/8	62 2 7/16	20.5 13/16	159 6 1/4	89.55 3 17/32	85.7 3.374	97.0 3.82	34.15 1.344	M18 5/8	FLU214D1 FLU214T FLU214T	UEL214D1 UEL214-211D1 UEL214-212D1	14,000	9,900
75 2 15/16 3	UELFLU215D1 UELFLU215-215T UELFLU215-300T	266 10 19/32	225 8 27/32	22 7/8	65 2 5/16	20.5 13/16	165 6 1/2	95.7 3 49/64	92 3.622	102 4.02	37.3 1.469	M18 5/8	FLU215D1 FLU215T FLU215T	UEL215D1 UEL215-215D1 UEL215-300D1	14,900	11,130

Units: **Millimeters**
INCHES



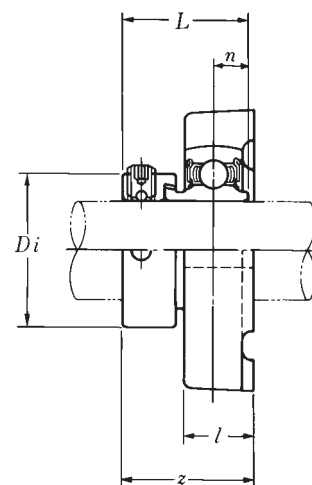
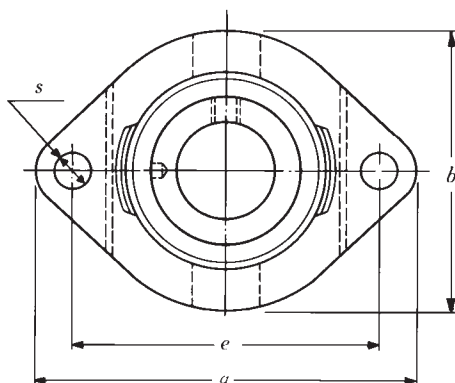
FLANGED UNITS - CAST HOUSING (TWO BOLT)

Shaft Dia.	Complete Flanged Unit Number	Nominal Dimensions								Bolt Size	Housing Number	Bearing Number	Basic Load Ratings (lbs)	
		a	e	l	s	b	z	Bi	n				Dynamic C	Static Co
12 ½	ASFD201 ASFD201-008	81 3 ¾	63 2 1 5/32	15 1 9/32	7 7/32	59 2 5/16	24.5 3 1/32	22 .866	6 .236	M6 ¼	FD201 FD201	AS201 AS201-008	2,160	1,040
15 9/16 5/8	ASFD202 ASFD202-009 ASFD202-010	81 3 ¾	63 2 1 5/32	15 1 9/32	7 7/32	59 2 5/16	24.5 3 1/32	22 .866	6 .236	M6 ¼	FD201 FD201 FD201	AS202 AS202-009 AS202-010	2,160	1,040
17 1 1/16	ASFD203 *ASFD203-011	81 3 ¾	63 2 1 5/32	15 1 9/32	7 7/32	59 2 5/16	24.5 3 1/32	22 .866	6 .236	M6 ¼	FD201 FD201	AS203 AS203-011	2,160	1,040
20 ¾	ASFD204 ASFD204-012	90 3 1 7/32	71 2 25/32	17 2 1/32	10 25/64	67 2 5/8	27.5 1 5/64	25 .984	7 .276	M8 5/16	FD204 FD204	AS204 AS204-012	2,890	1,500
25 1 3/16 7/8 1 1/4 1 5/16	ASFD205 ASFD205-013 ASFD205-014 ASFD205-015 ASFD205-100	95 3 ¾	76 3	17 2 1/32	10 25/64	71 2 25/32	29 1 5/64	27 1.063	7.5 .295	M8 5/16	FD205 FD205 FD205 FD205	AS205 AS205-013 AS205-014 AS205-015 AS205-100	3,150	1,770
30 1 1/16 1 1/8 1 3/16 1 1/4	ASFD206 ASFD206-101 ASFD206-102 ASFD206-103 *ASFD206-104	113 4 7/16	90 3 1 7/32	21 1 3/16	12 1 5/32	84 3 5/16	33 1 19/64	29 1.142	8 .315	M10 3/8	FD206 FD206 FD206 FD206	AS206 AS206-101 AS206-102 AS206-103 AS206-104	4,400	2,540
35 1 1/4 1 5/16 1 3/8 1 7/16	ASFD207 ASFD207-104 ASFD207-105 ASFD207-106 *ASFD207-107	125 4 29/32	100 3 1 5/16	22 7/8	12 1 5/32	94 3 1 1/16	38 1 1/2	34 1.339	8.5 .335	M10 3/8	FD207 FD207 FD207 FD207	AS207 AS207-104 AS207-105 AS207-106 AS207-107	5,750	3,440

* Unit with notched set screw as standard.

NTN
SERIES
AELFD2
ECCENTRIC
LOCKING
COLLAR
TYPE

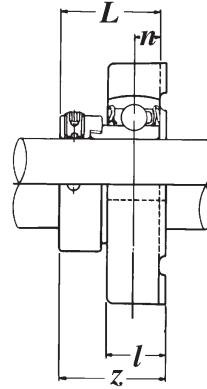
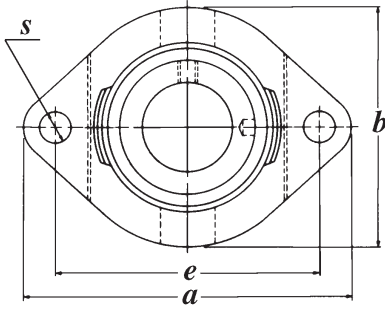
Units: **Millimeters**
INCHES



FLANGED UNITS - CAST HOUSING (TWO BOLT)

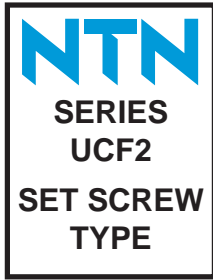
Shaft Dia.	Complete Flanged Unit Number	Nominal Dimensions								Bolt Size	Housing Number	Bearing Number	Basic Load Ratings (lbs)	
		a	e	s	l	b	Di	L	n				Dynamic C	Static Co
12 ½	AELFD201 AELFD201-008	81 3 ¾	63 2 1½	7 ¾	15 1½	59 2 5/16	29 1.14	28.6 1.126	6.5 .256	M6 ¼	FD201 FD201	AEL201 AEL201-008	2,160	1,040
15 ¾	AELFD202 AELFD202-009 AELFD202-010	81 3 ¾	63 2 1½	7 ¾	15 1½	59 2 5/16	29 1.14	28.6 1.126	6.5 .256	M6 ¼	FD201 FD201 FD201	AEL202 AEL202-009 AEL202-010	2,160	1,040
17 1¼	AELFD203 AELFD203-011	81 3 ¾	63 2 1½	7 ¾	15 1½	59 2 5/16	29 1.14	28.6 1.126	6.5 .256	M6 ¼	FD201 FD201	AEL203 AEL203-011	2,160	1,040
20 ¾	AELFD204 AELFD204-012	90 3 17/32	71 2 25/32	10 25/64	17 2½	67 2 5/8	33.3 1.31	31 1.220	7.5 .295	M8 5/16	FD204 FD204	AEL204 AEL204-012	2,890	1,500
25 13/16 7/8 15/16 1	AELFD205 AELFD205-013 AELFD205-014 AELFD205-015 AELFD205-100	95 3 ¾	76 3	10 25/64	17 2½	71 2 25/32	38.1 1.50	31 1.220	7.5 .295	M8 5/16	FD205 FD205 FD205 FD205	AEL205 AEL205-013 AEL205-014 AEL205-015 AEL205-100	3,150	1,770
30 1 1/16 1 1/8 1 3/16 1 1/4	AELFD206 AELFD206-101 AELFD206-102 AELFD206-103 AELFD206-104	113 4 7/16	90 3 17/32	12 1½	21 1 3/16	84 3 5/16	44.5 1.75	35.7 1.406	9 .354	M10 ¾	FD206 FD206 FD206 FD206	AEL206 AEL206-101 AEL206-102 AEL206-103 AEL206-104	4,400	2,540
35 1 1/4 1 5/16 1 3/8 1 7/16	AELFD207 AELFD207-104 AELFD207-105 AELFD207-106 AELFD207-107	125 4 29/32	100 3 15/16	12 1½	22 7/8	94 3 11/16	55.6 2.19	38.9 1.531	9.5 .374	M10 ¾	FD207 FD207 FD207 FD207	AEL207 AEL207-104 AEL207-105 AEL207-106 AEL207-107	5,750	3,440

Units: **Millimeters**
INCHES

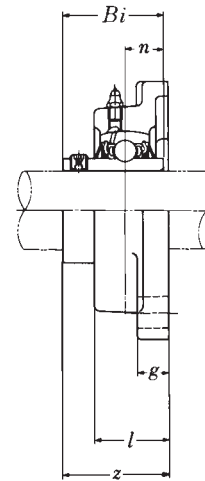
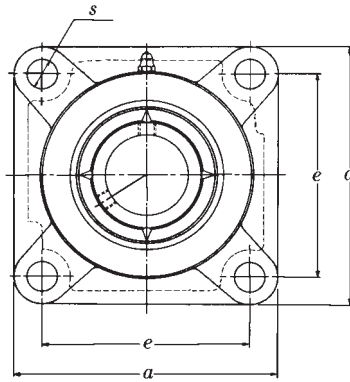


FLANGED UNITS - CAST HOUSING (TWO BOLT)

Shaft Dia.	Complete Flanged Unit Number	Nominal Dimensions									Bolt Size	Housing Number	Bearing Number	Basic Load Ratings (lbs)	
		a	e	s	b	l	z	Di	L	n				Dynamic C	Static Co
12 ½	JELFD201 JELFD201-008	81 3 ¾	63 2 1 5/32	7 7/32	59 2 5/16	15 1 9/32	30.6 1 1 3/64	29 1.14	28.6 1.126	6.5 .256	M6 ¼	FD201 FD201	JEL201 JEL201-008	2,160	1,030
15 9/16 5/8	JELFD202 JELFD202-009 JELFD202-010	81 3 ¾	63 2 1 5/32	7 7/32	59 2 5/16	15 1 9/32	30.6 1 1 3/64	29 1.14	28.6 1.126	6.5 .256	M6 ¼	FD201 FD201 FD201	JEL202 JEL202-009 JEL202-010	2,160	1,030
17 1 1/16	JELFD203 JELFD203-011	81 3 ¾	63 2 1 5/32	7 7/32	59 2 5/16	15 1 9/32	30.6 1 1 3/64	29 1.14	28.6 1.126	6.5 .256	M6 ¼	FD201 FD201	JEL203 JEL203-011	2,160	1,030
20 ¾	JELFD204 JELFD204-012	90 3 17/32	71 2 25/32	10 25/64	67 2 5/8	17 2 1/32	33 1 19/64	33.3 1.31	31 1.220	7.5 .295	M8 5/16	FD204 FD204	JEL204 JEL204-012	2,890	1,500
25 1 3/16 7/8 15/16 1	JELFD205 JELFD205-013 JELFD205-014 JELFD205-015 JELFD205-100	95 3 ¾	76 3	10 25/64	71 2 25/32	17 2 1/32	33 1 19/64	38.1 1.50	31 1.220	7.5 .295	M8 5/16	FD205 FD205 FD205 FD205	JEL205 JEL205-013 JEL205-014 JEL205-015 JEL205-100	3,150	1,770
30 1 1/16 1 1/8 1 3/16 1 ¼	JELFD206 JELFD206-101 JELFD206-102 JELFD206-103 JELFD206-104	113 4 7/16	90 3 17/32	12 15/32	84 3 5/16	21 1 3/16	38.7 1 17/32	44.5 1.75	35.7 1.406	9 .354	M10 ¾	FD206 FD206 FD206 FD206	JEL206 JEL206-101 JEL206-102 JEL206-103 JEL206-104	4,400	2,540
35 1 ¼ 1 5/16 1 ¾ 1 7/16	JELFD207 JELFD207-104 JELFD207-105 JELFD207-106 JELFD207-107	125 4 29/32	100 3 15/16	12 15/32	94 3 11/16	22 7/8	41.9 1 21/32	55.6 2.19	38.9 1.531	9.5 .374	M10 ¾	FD207 FD207 FD207 FD207	JEL207 JEL207-104 JEL207-105 JEL207-106 JEL207-107	5,750	3,450



Units: **Millimeters**
INCHES



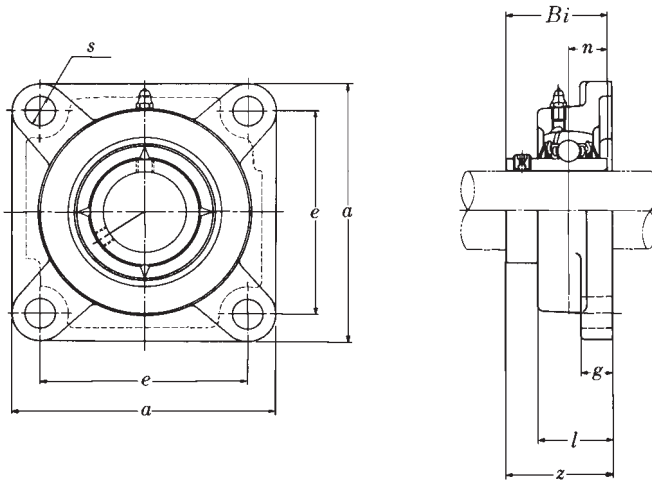
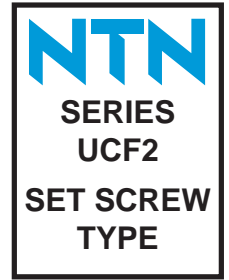
FLANGED UNITS - PRESSED CAST HOUSING (FOUR BOLT)

Shaft Dia.	Complete Flanged Unit Number	Nominal Dimensions								Bolt Size	Housing Number	Bearing Number	Basic Load Ratings (lbs)	
		a	e	g	l	s	z	Bi	n				Dynamic C	Static Co
12 ½	UCF201D1 UCF201-008T	86 3 ¾	64 2 17/32	11 7/16	25.5 1	12 15/32	33.3 1 5/16	31 1.220	12.7 .500	M10 ¾	F204D1 F204T	UC201D1 UC201-008D1	2,890	1,500
15 9/16 5/8	UCF202D1 UCF202-009T UCF202-010T	86 3 ¾	64 2 17/32	11 7/16	25.5 1	12 15/32	33.3 1 5/16	31 1.220	12.7 .500	M10 ¾	F204D1 F204T F204T	UC202D1 UC202-009D1 UC202-010D1	2,890	1,500
17 1 1/16	UCF203D1 UCF203-011T	86 3 ¾	64 2 17/32	11 7/16	25.5 1	12 15/32	33.3 1 5/16	31 1.220	12.7 .500	M10 ¾	F204D1 F204T	UC203D1 UC203-011D1	2,890	1,500
20 ¾	UCF204D1 UCF204-012T	86 3 ¾	64 2 17/32	11 7/16	25.5 1	12 15/32	33.3 1 5/16	31 1.220	12.7 .500	M10 ¾	F204D1 F204T	UC204D1 UC204-012D1	2,890	1,500
25 1 3/16 7/8 1 1/8 1	UCF205D1 UCF205-013T UCF205-014T UCF205-015T UCF205-100T	95 3 ¾	70 2 ¾	13 ½	27 1 1/16	12 15/32	35.7 1 13/32	34 1.339	14.3 .563	M10 ¾	F205D1 F205T F205T F205T F205T	UC205D1 UC205-013D1 UC205-014D1 UC205-015D1 UC205-100D1	3,150	1,770
30 1 1/16 1 1/8 1 3/16 1 1/4	UCF206D1 UCF206-101T UCF206-102T UCF206-103T *UCF206-104T	108 4 ¼	83 3 9/32	13 ½	31 1 7/32	12 15/32	40.2 1 37/64	38.1 1.500	15.9 .626	M10 ¾	F206D1 F206T F206T F206T F206T	UC206D1 UC206-101D1 UC206-102D1 UC206-103D1 UC206-104D1	4,400	2,540
35 1 ¼ 1 5/16 1 3/8 1 7/16	UCF207D1 UCF207-104T UCF207-105T UCF207-106T *UCF207-107T	117 4 19/32	92 3 5/8	15 19/32	34 1 11/32	14 35/64	44.4 1 ¾	42.9 1.689	17.5 .689	M12 ½	F207D1 F207T F207T F207T F207T	UC207D1 UC207-104D1 UC207-105D1 UC207-106D1 UC207-107D1	5,750	3,440
40 1 ½ 1 9/16	UCF208D1 UCF208-108T UCF208-109T	130 5 ½	102 4 1/32	15 19/32	36 1 13/32	16 5/8	51.2 2 1/4	49.2 1.937	19 .748	M14 ½	F208D1 F208T F208T	UC208D1 UC208-108D1 UC208-109D1	6,550	4,000
45 1 5/8 1 11/16 1 ¾	UCF209D1 UCF209-110T UCF209-111T UCF209-112T	137 5 13/32	105 4 1/8	16 5/8	38 1 ½	16 5/8	52.2 2 1/16	49.2 1.937	19 .748	M14 ½	F209D1 F209T F209T F209T	UC209D1 UC209-110D1 UC209-111D1 UC209-112D1	7,350	4,590
50 1 13/16 1 7/8 1 15/16 2	UCF210D1 UCF210-113T UCF210-114T UCF210-115T UCF210-200T	143 5 5/8	111 4 3/8	16 5/8	40 1 9/16	16 5/8	54.6 2 9/32	51.6 2.031	19 .748	M14 ½	F210D1 F210T F210T F210T F210T	UC210D1 UC210-113D1 UC210-114D1 UC210-115D1 UC210-200D1	7,900	5,220
55 2 2 1/16 2 1/8 2 3/16	UCF211D1 UCF211-200T UCF211-201T UCF211-202T UCF211-203T	162 6 3/8	130 5 1/8	18 23/32	43 1 11/16	19 ¾	58.4 2 19/64	55.6 2.189	22.2 .874	M16 5/8	F211D1 F211T F211T F211T F211T	UC211D1 UC211-200D1 UC211-201D1 UC211-202D1 UC211-203D1	9,750	6,570

* Unit with notched set screw as standard.

Continued on next page.

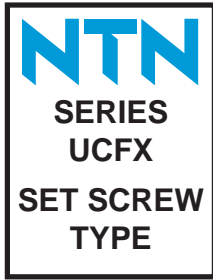
Units: Millimeters
INCHES



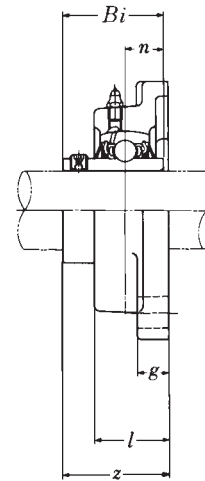
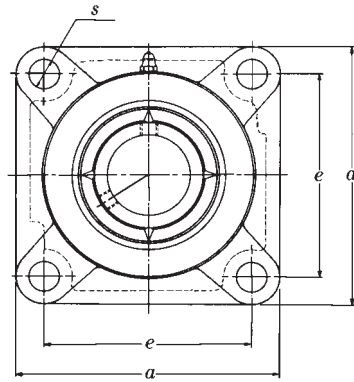
FLANGED UNITS - PRESSED CAST HOUSING (FOUR BOLT)

Shaft Dia.	Complete Flanged Unit Number	Nominal Dimensions								Bolt Size	Housing Number	Bearing Number	Basic Load Ratings (lbs)	
		a	e	g	l	s	z	Bi	n				Dynamic C	Static C ₀
60 2 ¼ 2 ¾ 2 ⅞	UCF212D1 UCF212-204T UCF212-206T *UCF212-207T	175 6 ⅞	143 5 ⅝	18 23/32	48 1 ⅞	19 ¾	68.7 2 45/64	65.1 2.563	25.4 1.000	M16 5/8	F212D1 F212T F212T F212T	UC212D1 UC212-204D1 UC212-206D1 UC212-207D1	11,800	8,100
65 2 ½	UCF213D1 UCF213-208T	187 7 ⅜	149 5 ⅞	22 7/8	50 1 31/32	19 ¾	69.7 2 ¾	65.1 2.563	25.4 1.000	M16 5/8	F213D1 F213T	UC213D1 UC213-208D1	12,900	9,000
70 2 11/16 2 ¾	UCF214D1 UCF214-211T UCF214-212T	193 7 19/32	152 5 31/32	22 7/8	54 2 ½	19 ¾	75.4 2 31/32	74.6 2.937	30.2 1.189	M16 5/8	F214D1 F214T F214T	UC214D1 UC214-211D1 UC214-212D1	14,000	9,900
75 2 15/16 3	UCF215D1 UCF215-215T UCF215-300T	200 7 7/8	159 6 ¼	22 7/8	56 2 7/32	19 ¾	78.5 3 3/32	77.8 3.063	33.3 1.311	M16 5/8	F215D1 F215T F215T	UC215D1 UC215-215D1 UC215-300D1	14,900	11,100
80 3 ⅛	UCF216D1 UCF216-302T	208 8 3/16	165 6 ½	22 7/8	58 2 9/32	23 29/32	83.3 3 9/32	82.6 3.252	33.3 1.311	M20 ¾	F216D1 F216T	UC216D1 UC216-302D1	16,300	11,900
85 3 ¼	UCF217D1 UCF217-304T	220 8 21/32	175 6 ⅞	24 15/16	63 2 15/32	23 29/32	87.6 3 29/64	85.7 3.374	34.1 1.343	M20 ¾	F217D1 F217T	UC217D1 UC217-304D1	18,700	14,400
90 3 ½	UCF218D1 UCF218-308T	235 9 ¼	187 7 ⅜	24 15/16	68 2 11/16	23 29/32	96.3 3 51/64	96 3.780	39.7 1.563	M20 ¾	F218D1 F218T	UC218D1 UC218-308D1	21,600	16,100

* Unit with notched set screw as standard.



Units: **Millimeters**
INCHES

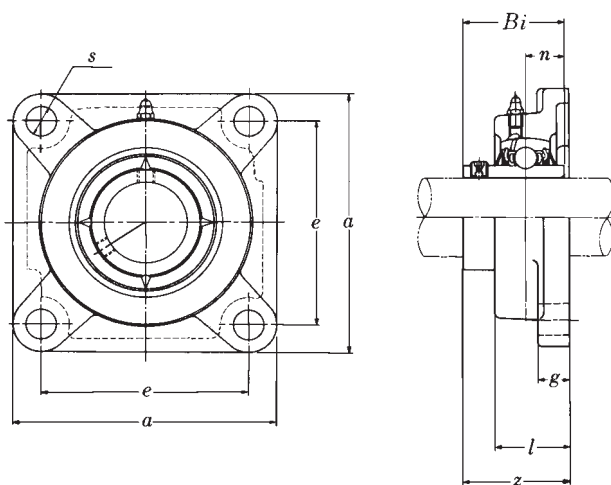


FLANGED UNITS - CAST HOUSING (FOUR BOLT)

Shaft Dia.	Complete Flanged Unit Number	Nominal Dimensions								Bolt Size	Housing Number	Bearing Number	Basic Load Ratings (lbs)	
		a	e	g	l	s	z	Bi	n				Dynamic C	Static Co
25 1 3/16 7/8 15/16 1	UCFX05D1 UCFX05-013T UCFX05-014T UCFX05-015T UCFX05-100T	108 4 1/4	83 3 1/4	13 1/2	30 1 3/16	12 15/32	40.2 1 19/32	38.1 1.500	15.9 .626	M10 3/8	FX05D1 FX05T FX05T FX05T FX05T	UCX05D1 UCX05-013D1 UCX05-014D1 UCX05-015D1 UCX05-100D1	4,390	2,540
30 1 1/16 1 1/8 1 3/16 1 1/4	UCFX06D1 UCFX06-101T UCFX06-102T UCFX06-103T UCFX06-104T	117 4 5/8	92 3 5/8	14 9/16	34 1 11/32	16 5/8	44.4 1 3/4	42.9 1.689	17.5 .689	M14 1/2	FX06D1 FX06T FX06T FX06T FX06T	UCX06D1 UCX06-101D1 UCX06-102D1 UCX06-103D1 UCX06-104D1	5,780	3,440
35 1 9/16 1 3/8 1 7/16	UCFX07D1 UCFX07-105T UCFX07-106T UCFX07-107T	130 5 1/8	102 4	14 9/16	38 1 1/2	16 5/8	51.2 2 1/2	49.2 1.937	19 .748	M14 1/2	FX07D1 FX07T FX07T FX07T	UCX07D1 UCX07-105D1 UCX07-106D1 UCX07-107D1	6,550	4,000
40 1 1/2 1 9/16	UCFX08D1 UCFX08-108T UCFX08-109T	137 5 3/8	105 4 1/8	14 9/16	40 1 9/16	19 3/4	52.2 2 1/16	49.2 1.937	19 .748	M16 5/8	FX08D1 FX08T FX08T	UCX08D1 UCX08-108D1 UCX08-109D1	7,310	4,590
45 1 5/8 1 11/16 1 3/4 1 13/16	UCFX09D1 UCFX09-110T UCFX09-111T UCFX09-112T UCFX09-113T	143 5 5/8	111 4 3/8	14 9/16	40 1 9/16	19 3/4	55.6 2 3/16	51.6 2.031	19 .748	M16 5/8	FX09D1 FX09T FX09T FX09T FX09T	UCX09D1 UCX09-110D1 UCX09-111D1 UCX09-112D1 UCX09-113D1	7,870	5,220
50 1 7/8 1 15/16 2	UCFX10D1 UCFX10-114T UCFX10-115T UCFX10-200T	162 6 3/8	130 5 1/8	20 25/32	44 1 23/32	19 3/4	59.4 2 11/32	55.6 2.189	22.2 .874	M16 5/8	FX10D1 FX10T FX10T FX10T	UCX10D1 UCX10-114D1 UCX10-115D1 UCX10-200D1	9,780	6,570
55 2 1/16 2 1/8 2 3/16 2 1/4 2 5/16	UCFX11D1 UCFX11-201T UCFX11-202T UCFX11-203T UCFX11-204T UCFX11-205T	175 6 7/8	143 5 5/8	20 25/32	49 1 15/16	19 3/4	68.7 2 23/32	65.1 2.563	25.4 1.000	M16 5/8	FX11D1 FX11T FX11T FX11T FX11T FX11T	UCX11D1 UCX11-201D1 UCX11-202D1 UCX11-203D1 UCX11-204D1 UCX11-205D1	11,810	8,100
60 2 3/8 2 7/16	UCFX12D1 UCFX12-206T UCFX12-207T	187 7 3/8	149 5 7/8	21 13/16	59 2 5/16	19 3/4	73.7 2 29/32	65.1 2.563	25.4 1.000	M16 5/8	FX12D1 FX12T FX12T	UCX12D1 UCX12-206D1 UCX12-207D1	12,930	9,000
65 2 1/2 2 9/16	UCFX13D1 UCFX13-208T UCFX13-209T	187 7 3/8	149 5 7/8	21 13/16	59 2 5/16	19 3/4	78.4 3 3/32	74.6 2.937	30.2 1.189	M16 5/8	FX13D1 FX13T FX13T	UCX13D1 UCX13-208D1 UCX13-209D1	13,940	9,900
70 2 5/8 2 11/16 2 3/4	UCFX14D1 UCFX14-210T UCFX14-211T UCFX14-212T	197 7 3/4	152 5 31/32	24 19/16	60 2 3/8	23 29/32	81.5 3 7/32	77.8 3.063	33.3 1.311	M20 3/4	FX14D1 FX14T FX14T FX14T	UCX14D1 UCX14-210D1 UCX14-211D1 UCX14-212D1	14,840	11,130

Continued on next page.

Units: Millimeters
INCHES

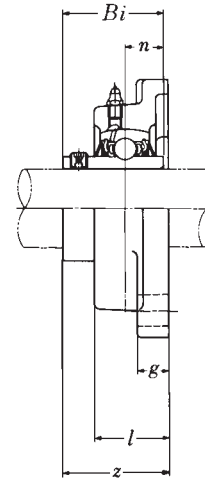
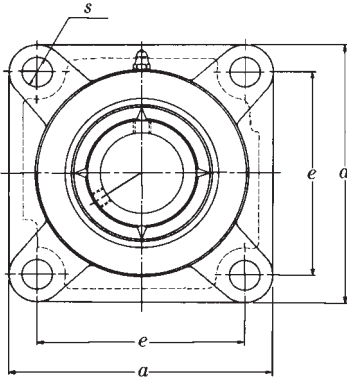


FLANGED UNITS - CAST HOUSING (FOUR BOLT)

Shaft Dia.	Complete Flanged Unit Number	Nominal Dimensions								Bolt Size	Housing Number	Bearing Number	Basic Load Ratings (lbs)	
		a	e	g	l	s	z	Bi	n				Dynamic C	Static C ₀
75 2 13/16 2 7/8 2 15/16 3	UCFX15D1 UCFX15-213T UCFX15-214T UCFX15-215T UCFX15-300T	197 7 3/4	152 5 31/32	24 1 5/16	68 2 11/16	23 29/32	89.3 3 17/32	82.6 3.252	33.3 1.311	M20 3/4	FX15D1 FX15T FX15T FX15T	UCX15D1 UCX15-213D1 UCX15-214D1 UCX15-215D1 UCX15-300D1	16,310	11,920
80 3 1/8 3 3/16 3 1/4	UCFX16D1 UCFX16-302T UCFX16-303T UCFX16-304T	214 8 7/16	171 6 3/4	24 1 5/16	70 2 3/4	23 29/32	91.6 3 19/32	85.7 3.374	34.1 1.343	M20 3/4	FX16D1 FX16T FX16T FX16T	UCX16D1 UCX16-302D1 UCX16-303D1 UCX16-304D1	18,780	14,390
85 3 5/16 3 7/16	UCFX17D1 UCFX17-305T UCFX17-307T	214 8 7/16	171 6 3/4	24 1 5/16	70 2 3/4	23 29/32	96.3 3 29/32	96 3.780	39.7 1.563	M20 M20	FX17D1 FX17T FX17T	UCX17D1 UCX17-305D1 UCX17-307D1	21,590	16,080
90 3 1/2	UCFX18D1 UCFX18-308T	214 8 7/16	171 6 3/4	24 1 5/16	76 3	23 29/32	106.1 4 3/16	104 4.094	42.9 1.689	M20 3/4	FX18D1 FX18T	UCX18D1 UCX18-308D1	24,520	18,440
100 3 7/8 3 15/16 4	UCFX20D1 UCFX20-314T UCFX20-315T UCFX20-400T	268 10 5/16	211 8 5/16	31 1 7/32	97 3 13/16	31 1 7/32	127.3 5	117.5 4.626	49.2 1.937	M27 1	FX20D1 FX20T FX20T FX20T	UCX20D1 UCX20-314D1 UCX20-315D1 UCX20-400D1	29,910	23,620



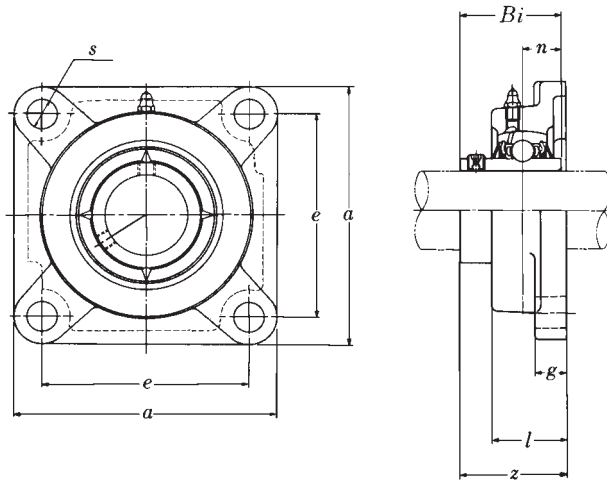
Units: **Millimeters**
INCHES



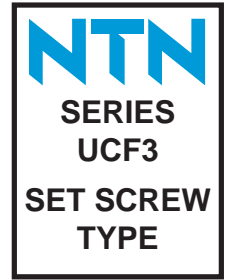
FLANGED UNITS - PRESSED CAST HOUSING (FOUR BOLT)

Shaft Dia.	Complete Flanged Unit Number	Nominal Dimensions								Bolt Size	Housing Number	Bearing Number	Basic Load Ratings (lbs)	
		a	e	g	l	s	z	Bi	n				Dynamic C	Static C ₀
25 7/8 1 1/16 1	UCF305D1 UCF305-014T UCF305-015T UCF305-100T	110 4 11/32	80 3 5/32	13 1/2	29 1 5/32	16 5/8	39 1 17/32	38 1.496	15 .591	M14 1/2	F305D1 F305T F305T F305T	UC305D1 UC305-014D1 UC305-015D1 UC305-100D1	4,750	2,460
30 1 1/8 1 3/16	UCF306D1 UCF306-102T UCF306-103T	125 4 29/32	95 3 3/4	15 1 1/2	32 1 1/4	16 5/8	44 1 47/64	43 1.693	17 .669	M14 1/2	F306D1 F306T F306T	UC306D1 UC306-102D1 UC306-103D1	6,000	3,400
35 1 1/4 1 5/16 1 3/8 1 7/16	UCF307D1 UCF307-104T UCF307-105T UCF307-106T UCF307-107T	135 5 5/16	100 3 15/16	16 5/8	36 1 13/32	19 3/4	49 1 59/64	48 1.890	19 .748	M16 5/8	F307D1 F307T F307T F307T F307T	UC307D1 UC307-104D1 UC307-105D1 UC307-106D1 UC307-107D1	7,500	4,300
40 1 1/2	UCF308D1 UCF308-108T	150 5 29/32	112 4 13/32	17 2 1/2	40 1 9/16	19 3/4	56 2 13/64	52 2.047	19 .748	M16 5/8	F308D1 F308T	UC308D1 UC308-108D1	9,150	5,400
45 1 5/8 1 11/16 1 3/4	UCF309D1 UCF309-110T UCF309-111T UCF309-112T	160 6 5/16	125 4 29/32	18 2 3/32	44 1 23/32	19 3/4	60 2 23/64	57 2.244	22 .866	M16 5/8	F309D1 F309T F309T F309T	UC309D1 UC309-110D1 UC309-111D1 UC309-112D1	11,900	7,200
50 1 7/8 1 15/16	UCF310D1 UCF310-114T UCF310-115T	175 6 7/8	132 5 3/16	19 3/4	48 1 7/8	23 29/32	67 2 41/64	61 2.402	22 .866	M20 3/4	F310D1 F310T F310T	UC310D1 UC310-114D1 UC310-115D1	13,900	8,600
55 2 2 1/8 2 3/16	UCF311D1 UCF311-200T UCF311-202T UCF311-203T	185 7 3/32	140 5 1/2	20 29/32	52 2 1/16	23 29/32	71 2 51/64	66 2.598	25 .984	M20 3/4	F311D1 F311T F311T F311T	UC311D1 UC311-200D1 UC311-202D1 UC311-203D1	16,100	10,100
60 2 1/4 2 3/8 2 7/16	UCF312D1 UCF312-204T UCF312-206T UCF312-207T	195 7 11/16	150 5 29/32	22 7/8	56 2 7/32	23 29/32	78 3 5/64	71 2.795	26 1.024	M20 3/4	F312D1 F312T F312T F312T	UC312D1 UC312-204D1 UC312-206D1 UC312-207D1	18,400	11,700
65 2 1/2	UCF313D1 UCF313-208T	208 8 3/16	166 6 17/32	22 7/8	58 2 9/32	23 29/32	78 3 5/64	75 2.953	30 1.181	M20 3/4	F313D1 F313T	UC313D1 UC313-208D1	20,800	13,400
70 2 11/16 2 3/4	UCF314D1 UCF314-211T UCF314-212T	226 8 29/32	178 7	25 3 1/32	61 2 13/32	25 63/64	81 3 3/16	78 3.071	33 1.299	M22 7/8	F314D1 F314T F314T	UC314D1 UC314-211D1 UC314-212D1	23,400	15,300
75 2 15/16 3	UCF315D1 UCF315-215T UCF315-300T	236 9 9/32	184 7 1/4	25 3 1/32	66 2 19/32	25 63/64	89 3 1/2	82 3.228	32 1.260	M22 7/8	F315D1 F315T F315T	UC315D1 UC315-215D1 UC315-300D1	25,500	17,400
80 3 1/8 3 3/16	UCF316D1 UCF316-302T UCF316-303T	250 9 27/32	196 7 23/32	27 1 1/16	68 2 11/16	31 1 7/32	90 3 39/64	86 3.386	34 1.339	M27 1	F316D1 F316T F316T	UC316D1 UC316-302D1 UC316-303D1	27,600	19,500

Continued on next page.



Units: **Millimeters**
INCHES

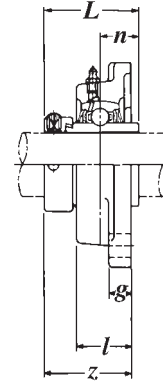
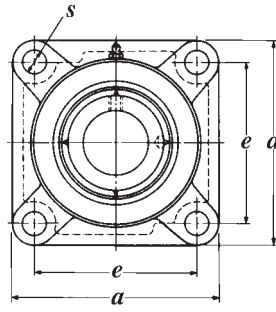


FLANGED UNITS - PRESSED CAST HOUSING (FOUR BOLT)

Shaft Dia.	Complete Flanged Unit Number	Nominal Dimensions								Bolt Size	Housing Number	Bearing Number	Basic Load Ratings (lbs)	
		<i>a</i>	<i>e</i>	<i>g</i>	<i>l</i>	<i>s</i>	<i>z</i>	<i>Bi</i>	<i>n</i>				Dynamic <i>C</i>	Static <i>C₀</i>
85 3 1/4	UCF317D1 UCF317-304T	260 10 1/4	204 8 1/2	27 1 1/16	74 2 29/32	31 1 7/32	100 3 15/16	96 3.780	40 1.575	M27 1	F317D1 F317T	UC317D1 UC317-304D1	29,800	21,800
90 3 7/16 3 1/2	UCF318D1 UCF318-307T UCF318-308T	280 11 1/2	216 8 1/2	30 1 3/16	76 3	35 1 3/8	100 3 15/16	96 3.780	40 1.575	M30 1 1/8	F318D1 F318T F318T	UC318D1 UC318-307D1 UC318-308D1	32,000	24,100
95 3 3/4	UCF319D1 UCF319-312T	290 11 13/32	228 8 31/32	30 1 3/16	94 3 11/16	35 1 3/8	121 4 9/64	103 4.055	41 1.614	M30 1 1/8	F319D1 F319T	UC319D1 UC319-312D1	34,500	26,600
100 3 15/16 4	UCF320D1 UCF320-315T UCF320-400T	310 12 7/32	242 9 17/32	32 1 1/4	94 3 11/16	38 1 1/2	125 4 59/64	108 4.252	42 1.654	M33 1 1/4	F320D1 F320T F320T	UC320D1 UC320-315D1 UC320-400D1	39,000	31,500
105	UCF321D1	310	242	32	94	38	127	112	44	M33	F321D1	UC321D1	41,500	34,500
110	UCF322D1	340	266	35	96	41	131	117	46	M36	F322D1	UC322D1	46,000	40,500
120	UCF324D1	370	290	40	110	41	140	126	51	M36	F324D1	UC324D1	46,500	41,500
130	UCF326D1	410	320	45	115	41	146	135	54	M36	F326D1	UC326D1	51,500	48,000
140	UCF328D1	450	350	55	125	41	161	145	59	M36	F328D1	UC328D1	57,000	55,500

NTN
SERIES
UELF2
ECCENTRIC
LOCKING
COLLAR
TYPE

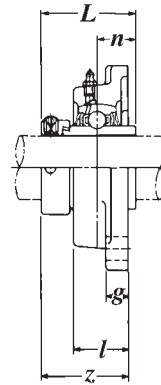
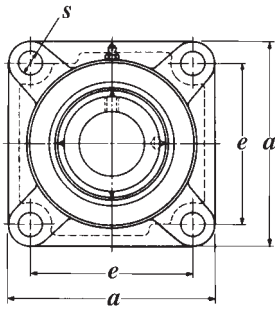
Units: **Millimeters**
INCHES



FLANGED UNITS - CAST HOUSING (FOUR BOLT)

Shaft Dia.	Complete Flanged Unit Number	Nominal Dimensions									Bolt Size	Housing Number	Bearing Number	Basic Load Ratings (lbs)	
		a	e	g	l	s	z	L	Di	n				Dynamic C	Static Co
20 3/4	UELF204D1 UELF204-012T	86 3 3/8	64 2 1 7/32	11 7/16	25.5 1	12 1 1/2	41.6 1 41/64	43.7 1.720	33 1.299	17.1 .673	M10 5/16	F204D1 F204T	UEL204D1 UEL204-012D1	2,890	1,500
25 1 13/16 7/8 1 1/16 1	UELF205D1 UELF205-013T UELF205-014T UELF205-015T UELF205-100T	95 3 3/4	70 2 3/4	13 1/2	27 1 1/16	12 1 1/2	42.9 1 1 1/16	44.4 1.748	38 1.496	17.5 .689	M10 3/8	F205D1 F205T F205T F205T F205T	UEL205D1 UEL205-013D1 UEL205-014D1 UEL205-015D1 UEL205-100D1	3,150	1,770
30 1 1/16 1 1/8 1 1/4 1 3/16 1 1/4	UELF206D1 UELF206-101T UELF206-102T UELF206-103T UELF206-104T	108 4 1/4	83 3 3/32	13 1/2	31 1 7/32	12 1 1/2	48.1 1 57/64	48.4 1.906	44.5 1.752	18.3 .720	M10 3/8	F206D1 F206T F206T F206T F206T	UEL206D1 UEL206-101D1 UEL206-102D1 UEL206-103D1 UEL206-104D1	4,400	2,540
35 1 1/4 1 5/16 1 3/8 1 7/16	UELF207D1 UELF207-104T UELF207-105T UELF207-106T UELF207-107T	117 4 1 1/32	92 5 3/8	15 1 1/2	34 1 1 1/32	14 3 5/64	51.3 2 1/64	51.1 2.012	55.5 2.185	18.8 .740	M12 7/16	F207D1 F207T F207T F207T F207T	UEL207D1 UEL207-104D1 UEL207-105D1 UEL207-106D1 UEL207-107D1	5,750	3,440
40 1 1/2 1 1/16	UELF208D1 UELF208-108T UELF208-109T	130 5 1/8	102 4 1/2	15 1 1/2	36 1 1 1/32	16 5/8	55.9 2 1 3/64	56.3 2.217	60 2.362	21.4 .843	M14 1/2	F207D1 F208T F208T	UEL208D1 UEL208-108D1 UEL208-109D1	6,550	4,000
45 1 5/8 1 1 1/16 1 3/4	UELF209D1 UELF209-110T UELF209-111T UELF209-112T	137 5 1 1/32	105 4 1/8	16 5/8	38 1 1/2	16 5/8	56.9 2 1 5/64	56.3 2.217	63.5 2.500	21.4 .843	M14 1/2	F209D1 F209T F209T F209T	UEL209D1 UEL209-110D1 UEL209-111D1 UEL209-112D1	7,350	4,590
50 1 13/16 1 7/8 1 15/16 2	UELF210D1 UELF210-113T UELF210-114T UELF210-115T UELF210-200T	143 5 5/8	111 4 3/8	16 5/8	40 1 1/16	16 5/8	60.1 2 2 3/64	62.7 2.469	69.5 2.736	24.6 .969	M14 1/2	F210D1 F210T F210T F210T F210T	UEL210D1 UEL210-113D1 UEL210-114D1 UEL210-115D1 UEL210-200D1	7,900	5,220
55 2 2 1/16 2 1/8 2 3/16	UELF211D1 UELF211-200T UELF211-201T UELF211-202T UELF211-203T	162 6 3/8	130 5 1/8	18 2 3/32	43 1 1 1/16	19 3/4	68.6 2 4 5/64	71.4 2.811	76 2.992	27.8 1.094	M16 5/16	F211D1 F211T F211T F211T F211T	UEL211D1 UEL211-200D1 UEL211-201D1 UEL211-202D1 UEL211-203D1	9,750	6,570
60 2 1/4 2 3/8 2 7/16	UELF212D1 UELF212-204T UELF212-206T UELF212-207T	175 6 7/8	143 5 5/8	18 2 3/32	48 1 7/8	19 3/4	75.8 2 6 3/64	77.8 3.063	84 3.307	31 1.220	M16 5/16	F212D1 F212T F212T F212T	UEL212D1 UEL212-204D1 UEL212-206D1 UEL212-207D1	11,800	8,100
65 2 1/2	UELF213D1 UELF213-208T	187 7 3/8	149 5 7/8	22 7/8	50 1 3 1/32	19 3/4	81.55 3 1 3/64	85.7 3.374	97 3.819	34.15 1.344	M16 5/16	F213D1 F213T	UEL213D1 UEL213-208D1	12,900	9,000
70 2 1 1/16 2 3/4	UELF214D1 UELF214-211T UELF214-212T	193 7 1 1/32	152 5 3 1/32	22 7/8	54 2 1/8	19 3/4	82.55 3 1/4	85.7 3.374	97 3.819	34.15 1.344	M16 5/16	F214D1 F214T F214T	UEL214D1 UEL214-211D1 UEL214-212D1	14,000	9,900
75 2 1 5/16 3	UELF215D1 UELF215-215T UELF215-300T	200 7 7/8	159 6 1/4	22 7/8	56 2 7/32	19 3/4	88.7 3 3 1/64	92 3.622	102 4.016	37.3 1.469	M16 5/16	F215D1 F215T F215T	UEL215D1 UEL215-215D1 UEL215-300D1	14,900	11,130

Units: **Millimeters**
INCHES

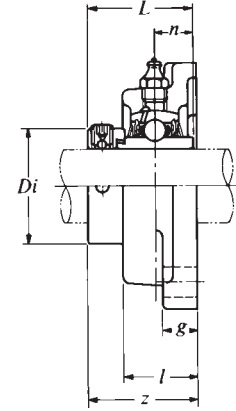
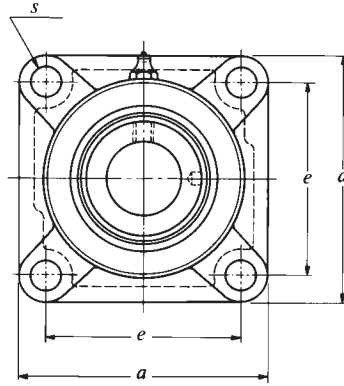


FLANGED UNITS - CAST HOUSING (FOUR BOLT)

Shaft Dia.	Complete Flanged Unit Number	Nominal Dimensions									Bolt Size	Housing Number	Bearing Number	Basic Load Ratings (lbs)	
		a	e	g	l	s	z	L	Di	n				Dynamic C	Static Co
25 7/8 1 1/16 1	UELF305D1 UELF305-014T UELF305-015T UELF305-100T	110 4 1 1/2	80 3 5/8	13 1/2	29 1 5/8	16 5/8	46.1 1 13/16	46.8 1.843	42.8 1.685	16.7 .657	M14 1/2	F305D1 F305T F305T F305T	UEL305D1 UEL305-014D1 UEL305-015D1 UEL305-100D1	4,750	2,460
30 1 1/8 1 3/16	UELF306D1 UELF306-102T UELF306-103T	125 4 2 3/8	95 3 3/4	15 1 1/2	32 1 1/4	16 5/8	50.5 1 63/64	50 1.969	50 1.969	17.5 .689	M14 1/2	F306D1 F306T F306T	UEL306D1 UEL306-102D1 UEL306-103D1	6,000	3,400
35 1 1/4 1 5/16 1 3/8 1 7/16	UELF307D1 UELF307-104T UELF307-105T UELF307-106T UELF307-107T	135 5 5/16	100 3 15/16	16 5/8	36 1 1 3/8	19 3/4	53.3 2 3/8	51.6 2.031	55 2.165	18.3 .720	M16 5/8	F307D1 F307T F307T F307T F307T	UEL307D1 UEL307-104D1 UEL307-105D1 UEL307-106D1 UEL307-107D1	7,500	4,300
40 1 1/2	UELF308D1 UELF308-108T	150 5 2 3/8	112 4 1 1/2	17 2 1/2	40 1 9/16	19 3/4	60.3 3 3/8	57.1 2.248	63.5 2.500	19.8 .780	M16 5/8	F308D1 F308T	UEL308D1 UEL308-108D1	9,150	5,400
45 1 5/8 1 11/16 1 3/4	UELF309D1 UELF309-110T UELF309-111T UELF309-112T	160 6 5/16	125 4 2 3/8	18 2 3/8	44 1 2 3/8	19 3/4	63.9 2 3 3/64	58.7 2.311	70 2.756	19.8 .780	M16 5/8	F309D1 F309T F309T F309T	UEL309D1 UEL309-110D1 UEL309-111D1 UEL309-112D1	11,900	7,200
50 1 7/8 1 15/16	UELF310D1 UELF310-114T UELF310-115T	175 6 7/8	132 5 3/16	19 3/4	48 1 7/8	23 2 3/8	70 2 3/4	66.6 2.622	76.2 3.000	24.6 .969	M20 3/4	F310D1 F310T F310T	UEL310D1 UEL310-114D1 UEL310-115D1	13,900	8,600
55 2 2 1/8 2 3/16	UELF311D1 UELF311-200T UELF311-202T UELF311-203T	185 7 5/8	140 5 1/2	20 2 1/2	52 2 1/16	23 2 3/8	75.2 2 61/64	73 2.874	83 3.268	27.8 1.094	M20 3/4	F311D1 F311T F311T F311T	UEL311D1 UEL311-200D1 UEL311-202D1 UEL311-203D1	16,100	10,100
60 2 1/4 2 3/8 2 7/16	UELF312D1 UELF312-204T UELF312-206T UELF312-207T	195 7 11/16	150 5 2 3/8	22 7/8	56 2 7/8	23 2 3/8	81.45 3 1 3/64	79.4 3.126	89 3.504	30.95 1.219	M20 3/4	F312D1 F312T F312T F312T	UEL312D1 UEL312-204D1 UEL312-206D1 UEL312-207D1	18,400	11,700
65 2 1/2	UELF313D1 UELF313-208T	208 8 3/16	166 6 1 7/8	22 7/8	58 2 3/8	23 2 3/8	86.15 3 2 5/64	85.7 3.374	97 3.819	32.55 1.281	M20 3/4	F313D1 F313T	UEL313D1 UEL313-208D1	20,800	13,400
70 2 11/16 2 3/4	UELF314D1 UELF314-211T UELF314-212T	226 8 2 3/8	178 7	25 3 1/2	61 2 1 3/8	25 2 3/8	93.95 3 4 5/64	92.1 3.626	102 4.016	34.15 1.344	M22 7/8	F314D1 F314T F314T	UEL314D1 UEL314-211D1 UEL314-212D1	23,400	15,300
75 2 15/16 3	UELF315D1 UELF315-215T UELF315-300T	236 9 5/8	184 7 1/4	25 3 1/2	66 2 1 1/2	25 2 3/8	101.7 4	100 3.937	113 4.449	37.3 1.469	M22 7/8	F315D1 F315T F315T	UEL315D1 UEL315-215D1 UEL315-300D1	25,500	17,400
80 3 1/8 3 3/16	UELF316D1 UELF316-302T UELF316-303T	250 9 2 3/8	196 7 2 3/8	27 1 1/16	68 2 1 1/16	31 1 7/8	103.9 4 3/8	106.4 4.189	119 4.685	40.5 1.594	M27 1	F316D1 F316T F316T	UEL316D1 UEL316-302D1 UEL316-303D1	27,600	19,500
85 3 1/4	UELF317D1 UELF317-304T	260 10 1/4	204 8 1/2	27 1 1/16	74 2 2 3/8	31 1 7/8	111.45 4 2 5/64	109.5 4.311	127 5.000	42.05 1.656	M27 1	F317D1 F317T	UEL317D1 UEL317-304D1	29,800	21,800
90 3 7/16 3 1/2	UELF318D1 UELF318-307T UELF318-308T	280 11 1/2	216 8 1/2	30 1 3/16	76 3	35 1 3/8	116.25 4 3 7/64	115.9 4.563	133 5.236	43.65 1.719	M30 1 1/8	F318D1 F318T F318T	UEL318D1 UEL318-307D1 UEL318-308D1	32,000	24,100
95 3 3/4	UELF319D1 UELF319-312T	290 11 1 3/8	228 8 3 3/8	30 1 3/16	94 3 1 1/16	35 1 3/8	142.4 5 3 3/64	122.3 4.815	140 5.512	38.9 1.531	M30 1 1/8	F319D1 F319T	UEL319D1 UEL319-312D1	34,500	26,600
100 3 15/16 4	UELF320D1 UELF320-315T UELF320-400T	310 12 7/8	242 9 1 7/8	32 1 1/4	94 3 1 1/16	38 1 1/2	137.6 5 2 7/64	128.6 5.063	146 5.748	50 1.969	M33 1 1/4	F320D1 F320T F320T	UEL320D1 UEL320-315D1 UEL320-400D1	39,000	31,500
105	UELF321D1	310	242	32	94	38	150.3	139.7	157	48.4	M33	F321D1	UEL321D1	41,500	34,500
110	UELF322D1	340	266	35	96	41	152.1	141.3	168	49.2	M36	F322D1	UEL322D1	46,000	40,500

NTN
SERIES
UELFU2
ECCENTRIC
LOCKING
COLLAR
TYPE

Units: **Millimeters**
INCHES



FLANGED UNITS - CAST HOUSING (FOUR BOLT)

Shaft Dia.	Complete Flanged Unit Number	Nominal Dimensions									Bolt Size	Housing Number	Bearing Number	Basic Load Ratings (lbs)	
		a	e	g	l	s	z	L	Di	n				Dynamic C	Static Co
20 3/4	UELFU204D1 UELFU204-012T	86 3 3/8	63.5 2 1/2	15 1 1/2	29.5 1 1/4	11.5 25/64	45.6 1 5/64	43.7 1.720	33.3 1.31	17.1 .673	M10 5/16	FU204D1 FU204T	UEL204D1 UEL204-012D1	2,890	1,500
25 1 3/16 7/8 1 1/16 1	UELFU205D1 UELFU205-013T UELFU205-014T UELFU205-015T UELFU205-100T	96 3 25/32	70 2 3/4	15 1 1/2	30 1 3/4	11.5 29/64	45.9 1 13/16	44.4 1.748	38.1 1.50	17.5 .689	M10 3/8	FU205D1 FU205T FU205T FU205T FU205T	UEL205D1 UEL205-013D1 UEL205-014D1 UEL205-015D1 UEL205-100D1	3,150	1,770
30 1 1/16 1 1/8 1 3/16 1 1/4	UELFU206D1 UELFU206-101T UELFU206-102T UELFU206-103T UELFU206-104T	109 4 5/32	82.5 3 1/4	16 5/8	33 1 1/16	11.5 29/64	50.1 1 31/32	48.4 1.906	44.5 1.75	18.3 .720	M10 3/8	FU206D1 FU206T FU206T FU206T FU206T	UEL206D1 UEL206-101D1 UEL206-102D1 UEL206-103D1 UEL206-104D1	4,400	2,540
35 1 1/4 1 5/16 1 3/8 1 7/16	UELFU207D1 UELFU207-104T UELFU207-105T UELFU207-106T UELFU207-107T	118 4 21/32	92 3 5/8	17 1 1/2	36 1 13/32	14 33/64	53.3 2 3/32	51.1 2.012	55.6 2.19	18.8 .740	M12 7/16	FU207D1 FU207T FU207T FU207T FU207T	UEL207D1 UEL207-104D1 UEL207-105D1 UEL207-106D1 UEL207-107D1	5,750	3,440
40 1 1/2 1 9/16	UELFU208D1 UELFU208-108T UELFU208-109T	131 5 1/32	101.5 4	17 1 1/2	39 1 17/32	14 33/64	58.9 2 5/16	56.3 2.217	60.2 2.37	21.4 .843	M12 7/16	FU207D1 FU208T FU208T	UEL208D1 UEL208-108D1 UEL208-109D1	6,550	4,000
45 1 5/8 1 11/16 1 3/4	UELFU209D1 UELFU209-110T UELFU209-111T UELFU209-112T	137 5 13/32	105 4 3/8	18 1 1/2	40 1 9/16	16 37/64	58.9 2 5/16	56.3 2.217	63.5 2.50	21.4 .843	M14 1/2	FU209D1 FU209T FU209T FU209T	UEL209D1 UEL209-110D1 UEL209-111D1 UEL209-112D1	7,350	4,590
50 1 13/16 1 7/8 1 9/16 2	UELFU210D1 UELFU210-113T UELFU210-114T UELFU210-115T UELFU210-200T	144 5 21/32	111 4 3/8	20 1 1/2	46 1 13/16	18 37/64	66.1 2 39/64	62.7 2.469	69.9 2.75	24.6 .969	M16 1/2	FU210D1 FU210T FU210T FU210T FU210T	UEL210D1 UEL210-113D1 UEL210-114D1 UEL210-115D1 UEL210-200D1	7,900	5,220
55 2 2 1/16 2 1/8 2 3/16	UELFU211D1 UELFU211-200T UELFU211-201T UELFU211-202T UELFU211-203T	163 6 13/32	130 5 1/8	21 1 1/2	49 1 15/16	18 21/32	74.6 2 15/16	71.4 2.811	76.2 3.00	27.8 1.094	M16 9/16	FU211D1 FU211T FU211T FU211T FU211T	UEL211D1 UEL211-200D1 UEL211-201D1 UEL211-202D1 UEL211-203D1	9,750	6,570
60 2 1/4 2 3/8 2 7/16	UELFU212D1 UELFU212-204T UELFU212-206T UELFU212-207T	175 6 7/8	143 5 5/8	21 1 1/2	53 2 3/32	18 21/32	80.8 3 3/16	77.8 3.063	84.1 3.31	31 1.220	M16 9/16	FU212D1 FU212T FU212T FU212T	UEL212D1 UEL212-204D1 UEL212-206D1 UEL212-207D1	11,800	8,100
65 2 1/2	UELFU213D1 UELFU213-208T	187 7 3/8	149 5 7/8	22 7/8	59 2 5/16	20.5 13/16	89.55 3 17/32	85.7 3.374	97.0 3.82	34.15 1.344	M18 5/8	FU213D1 FU213T	UEL213D1 UEL213-208D1	12,900	9,000
70 2 11/16 2 3/4	UELFU214D1 UELFU214-211T UELFU214-212T	193 7 19/32	152 5 31/32	22 7/8	62 2 7/16	20.5 13/16	89.55 3 17/32	85.7 3.374	97.0 3.82	34.15 1.344	M18 5/8	FU214D1 FU214T FU214T	UEL214D1 UEL214-211D1 UEL214-212D1	14,000	9,900
75 2 15/16 3	UELFU215D1 UELFU215-215T UELFU215-300T	200 7 7/8	159 6 1/4	22 7/8	65 2 5/16	20.5 13/16	95.7 3 49/64	92 3.622	102 4.02	37.3 1.469	M18 5/8	FU215D1 FU215T FU215T	UEL215D1 UEL215-215D1 UEL215-300D1	14,900	11,130



Bearing Series → **ASPF2 SERIES**

ASPF2014

Complete Flanged Unit Number

Weight (lbs)

FLANGED UNITS

ASPF2 SERIES	JELPFL207-106.....1.5	JELPF205-100......9	UCFL210-114T.....4.9
ASPFL201......2	JELPFL207-107.....1.5	JELPF206.....1.3	UCFL210-115T.....4.9
ASPFL201-008......2	ASPF2 SERIES	JELPF206-101.....1.3	UCFL210-200T.....4.9
ASPFL202......2	ASPF201......4	JELPF206-102.....1.3	UCFL211D1.....6.8
ASPFL202-009......2	ASPF201-008......4	JELPF206-103.....1.3	UCFL211-200T.....6.8
ASPFL202-010......2	ASPF202......4	JELPF206-104.....1.3	UCFL211-201T.....6.8
ASPFL203......2	ASPF202-009......4	JELPF207.....1.8	UCFL211-202T.....6.8
ASPFL203-011......2	ASPF202-010......4	JELPF207-104.....1.8	UCFL211-203T.....6.8
ASPFL204......4	ASPF203......4	JELPF207-105.....1.8	UCFL212-201T.....8.8
ASPFL204-012......4	ASPF203-011......4	JELPF207-106.....1.8	UCFL212-204T.....8.8
ASPFL205......7	ASPF204......7	JELPF207-107.....1.8	UCFL212-206T.....8.8
ASPFL205-013......7	ASPF204-012......7	JELPF208.....2.9	UCFL212-207T.....8.8
ASPFL205-014......7	ASPF205......7	JELPF208-108.....2.9	UCFL213D1.....11
ASPFL205-015......7	ASPF205-013......7	JELPF208-109.....2.9	UCFL213-208T.....11
ASPFL205-100......7	ASPF205-014......7	JELFL2 SERIES	UCFL214D1.....12
ASPFL206......9	ASPF205-015......7	JELFL201......9	UCFL214-211T.....12
ASPFL206-101......9	ASPF205-100......7	JELFL201-008......9	UCFL214-212T.....12
ASPFL206-102......9	ASPF206.....1.1	JELFL202......9	UCFL215D1.....14
ASPFL206-103......9	ASPF206-101.....1.1	JELFL202-009......9	UCFL215-215T.....14
ASPFL206-104......9	ASPF206-102.....1.1	JELFL202-010......9	UCFL215-300T.....14
ASPFL207.....1.1	ASPF206-103.....1.1	JELFL203.....1.1	UCFL215D1.....14
ASPFL207-104.....1.1	ASPF206-104.....1.1	JELFL203-011.....1.1	UCFL216-302T.....18
ASPFL207-105.....1.1	ASPF207.....1.5	JELFL204.....1.1	UCFL217D1.....21
ASPFL207-106.....1.1	ASPF207-104.....1.5	JELFL204-012.....1.1	UCFL217-304T.....21
ASPFL207-107.....1.1	ASPF207-105.....1.5	JELFL205.....1.4	UCFL218D1.....24
AELPFL2 SERIES	ASPF207-106.....1.5	JELFL205-013.....1.4	UCFL218-308T.....24
AELPFL201......4	ASPF207-107.....1.5	JELFL205-014.....1.4	UCFLX SERIES
AELPFL201-008......4	ASPF208.....2.4	JELFL205-015.....1.4	UCFLX05D1.....2.2
AELPFL202......4	ASPF208-108.....2.4	JELFL205-100.....1.4	UCFLX05-013T.....2.2
AELPFL202-009......4	ASPF208-109.....2.4	JELFL206.....2.0	UCFLX05-014T.....2.2
AELPFL202-010......4	AELPF2 SERIES	JELFL206-101.....2.0	UCFLX05-015T.....2.2
AELPFL203......2	AELPF201......4	JELFL206-102.....2.0	UCFLX05-100T.....2.2
AELPFL203-011......2	AELPF201-008......4	JELFL206-103.....2.0	UCFLX06D1.....3.3
AELPFL204......7	AELPF202......4	JELFL206-104.....2.0	UCFLX06-101T.....3.3
AELPFL204-012......7	AELPF202-009......4	JELFL207.....2.7	UCFLX06-102T.....3.3
AELPFL205......7	AELPF202-010......4	JELFL207-104.....2.7	UCFLX06-103T.....3.3
AELPFL205-013......7	AELPF203......4	JELFL207-105.....2.7	UCFLX06-104T.....3.3
AELPFL205-014......7	AELPF203-011......4	JELFL207-106.....2.7	UCFLX07D1.....4.4
AELPFL205-015......7	AELPF204......7	JELFL207-107.....2.7	UCFLX07-105T.....4.4
AELPFL205-100......7	AELPF204-012......7	UCFL2 SERIES	UCFLX07-106T.....4.4
AELPFL206.....1.1	AELPF205......9	UCFL201D1.....1.3	UCFLX07-107T.....4.4
AELPFL206-101.....1.1	AELPF205-013......9	UCFL201-008T.....1.3	UCFLX08D1.....4.9
AELPFL206-102.....1.1	AELPF205-014......9	UCFL202D1.....1.3	UCFLX08-108T.....4.9
AELPFL206-103.....1.1	AELPF205-015......9	UCFL202-009T.....1.3	UCFLX08-109T.....4.9
AELPFL206-104.....1.1	AELPF205-100......9	UCFL202-010T.....1.3	UCFLX09D1.....5.3
AELPFL207.....1.5	AELPF206.....1.3	UCFL203D1.....1.1	UCFLX09-110T.....5.3
AELPFL207-104.....1.5	AELPF206-101.....1.3	UCFL203-011T.....1.1	UCFLX09-111T.....5.3
AELPFL207-105.....1.5	AELPF206-102.....1.3	UCFL204D1.....1.1	UCFLX09-112T.....5.3
AELPFL207-106.....1.5	AELPF206-103.....1.3	UCFL204-012T.....1.1	UCFLX09-113T.....5.3
AELPFL207-107.....1.5	AELPF206-104.....1.3	UCFL205D1.....1.3	UCFLX10D1.....7.5
JELPFL2 SERIES	AELPF207.....1.8	UCFL205-013T.....1.3	UCFLX10-114T.....7.5
JELPFL201......4	AELPF207-104.....1.8	UCFL205-014T.....1.3	UCFLX10-115T.....7.5
JELPFL201-008......4	AELPF207-105.....1.8	UCFL205-015T.....1.3	UCFLX10-200T.....7.5
JELPFL202......4	AELPF207-106.....1.8	UCFL205-100T.....1.3	UCFL3 SERIES
JELPFL202-009......4	AELPF207-107.....1.8	UCFL206D1.....2.0	UCFL305D1.....3.3
JELPFL202-010......4	AELPF208.....2.9	UCFL206-101T.....2.0	UCFL305-014T.....3.3
JELPFL203......2	AELPF208-108.....2.9	UCFL206-102T.....2.0	UCFL305-015T.....3.3
JELPFL203-011......2	AELPF208-109.....2.9	UCFL206-103T.....2.0	UCFL305-100T.....3.3
JELPFL204......7	JELPF2 SERIES	UCFL206-104T.....2.0	UCFL306D1.....4.2
JELPFL204-012......7	JELPF201......4	UCFL207D1.....2.6	UCFL306-102T.....4.2
JELPFL205......7	JELPF201-008......4	UCFL207-104T.....2.6	UCFL306-103T.....4.2
JELPFL205-013......7	JELPF202......4	UCFL207-105T.....2.6	UCFL307D1.....5.1
JELPFL205-014......7	JELPF202-009......4	UCFL207-106T.....2.6	UCFL307-104T.....5.1
JELPFL205-015......7	JELPF202-010......4	UCFL207-107T.....2.6	UCFL307-105T.....5.1
JELPFL205-100......7	JELPF203......4	UCFL208D1.....3.5	UCFL307-106T.....5.1
JELPFL206.....1.1	JELPF203-011......4	UCFL208-108T.....3.5	UCFL307-107T.....5.1
JELPFL206-101.....1.1	JELPF204......7	UCFL208-109T.....3.5	UCFL308D1.....7.3
JELPFL206-102.....1.1	JELPF204-012......7	UCFL209D1.....4.2	UCFL308-108T.....7.3
JELPFL206-103.....1.1	JELPF205......9	UCFL209-110T.....4.2	UCFL309D1.....9.3
JELPFL206-104.....1.1	JELPF205-013......9	UCFL209-111T.....4.2	UCFL309-110T.....9.3
JELPFL207.....1.5	JELPF205-014......9	UCFL209-112T.....4.2	UCFL309-111T.....9.3
JELPFL207-104.....1.5	JELPF205-015......9	UCFL210D1.....4.9	UCFL309-112T.....9.3
JELPFL207-105.....1.5		UCFL210-113T.....4.9	UCFL310D1.....12



Bearing Series → **ASPF2 SERIES**

ASPF2014

Complete Flanged Unit Number

Weight (lbs)

FLANGED UNITS

UCFL310-114T.....	12
UCFL310-115T.....	12
UCFL311D1.....	14
UCFL311-200T.....	14
UCFL311-202T.....	14
UCFL311-203T.....	12
UCFL312D1.....	17
UCFL312-204T.....	17
UCFL312-206T.....	17
UCFL312-207T.....	17
UCFL313D1.....	22
UCFL313-208T.....	22
UCFL314D1.....	26
UCFL314-211T.....	26
UCFL314-212T.....	26
UCFL315D1.....	26
UCFL315-215T.....	26
UCFL315-300T.....	26
UCFL316D1.....	35
UCFL316-302T.....	35
UCFL316-303T.....	35
UCFL317D1.....	40
UCFL317-304T.....	40
UCFL318D1.....	46
UCFL318-307T.....	46
UCFL318-308T.....	46
UCFL319D1.....	57
UCFL319-312T.....	57
UCFL320D1.....	68
UCFL320-315T.....	68
UCFL320-400T.....	68
UCFL321D1.....	71
UCFL322D1.....	86
UCFL324D1.....	115
UCFL326D1.....	141
UCFL328D1.....	196
UELFL2 SERIES	
UELFL204D1.....	1.3
UELFL204-012T.....	1.3
UELFL205D1.....	1.5
UELFL205-013T.....	1.5
UELFL205-014T.....	1.5
UELFL205-015T.....	1.5
UELFL205-100T.....	1.5
UELFL206D1.....	2.2
UELFL206-101T.....	2.2
UELFL206-102T.....	2.2
UELFL206-103T.....	2.2
UELFL206-104T.....	2.2
UELFL207D1.....	2.9
UELFL207-104T.....	2.9
UELFL207-105T.....	2.9
UELFL207-106T.....	2.9
UELFL207-107T.....	2.9
UELFL208D1.....	3.7
UELFL208-108T.....	3.7
UELFL208-109T.....	3.7
UELFL209D1.....	4.4
UELFL209-110T.....	4.4
UELFL209-111T.....	4.4
UELFL209-112T.....	4.4
UELFL210D1.....	5.1
UELFL210-113T.....	5.1
UELFL210-114T.....	5.1
UELFL210-115T.....	5.1
UELFL210-200T.....	5.1
UELFL211D1.....	7.3
UELFL211-200T.....	7.3
UELFL211-201T.....	7.3
UELFL211-202T.....	7.3
UELFL211-203T.....	7.3
UELFL212D1.....	9.5
UELFL212-204T.....	9.5

UELFL212-206T.....	9.5
UELFL212-207T.....	9.5
UELFL213D1.....	12
UELFL213-208T.....	12
UELFL214D1.....	13
UELFL214-211T.....	13
UELFL214-212T.....	13
UELFL215D1.....	14
UELFL215-215T.....	14
UELFL215-300T.....	14
UELFL3 SERIES	
UELFL305D1.....	2.4
UELFL305-014T.....	2.4
UELFL305-015T.....	2.4
UELFL305-100T.....	2.4
UELFL306D1.....	3.5
UELFL306-102T.....	3.5
UELFL306-103T.....	3.5
UELFL307D1.....	4.4
UELFL307-104T.....	4.4
UELFL307-105T.....	4.4
UELFL307-106T.....	4.4
UELFL307-107T.....	4.4
UELFL308D1.....	5.7
UELFL308-108T.....	5.7
UELFL309D1.....	7.9
UELFL309-110T.....	7.9
UELFL309-111T.....	7.9
UELFL309-112T.....	7.9
UELFL310D1.....	10
UELFL310-114T.....	10
UELFL310-115T.....	10
UELFL311D1.....	12
UELFL311-200T.....	12
UELFL311-202T.....	12
UELFL311-203T.....	12
UELFL312D1.....	14
UELFL312-204T.....	14
UELFL312-206T.....	14
UELFL312-207T.....	14
UELFL313D1.....	18
UELFL313-208T.....	18
UELFL314D1.....	21
UELFL314-211T.....	21
UELFL314-212T.....	21
UELFL315D1.....	24
UELFL315-215T.....	24
UELFL315-300T.....	24
UELFL316D1.....	31
UELFL316-302T.....	31
UELFL316-303T.....	31
UELFL317D1.....	35
UELFL317-304T.....	35
UELFL318D1.....	42
UELFL318-307T.....	42
UELFL318-308T.....	42
UELFL319D1.....	53
UELFL319-312T.....	53
UELFL320D1.....	64
UELFL320-315T.....	64
UELFL320-400T.....	64
UELFL321D1.....	66
UELFL322D1.....	79
UELFLU2 SERIES	
UELFLU204D1.....	1.3
UELFLU204-012T.....	1.3
UELFLU205D1.....	1.8
UELFLU205-013T.....	1.8
UELFLU205-014T.....	1.8
UELFLU205-015T.....	1.8
UELFLU205-100T.....	1.8
UELFLU206D1.....	2.4
UELFLU206-101T.....	2.4

UELFLU206-102T.....	2.4
UELFLU206-103T.....	2.4
UELFLU206-104T.....	2.4
UELFLU207D1.....	3.1
UELFLU207-104T.....	3.1
UELFLU207-105T.....	3.1
UELFLU207-106T.....	3.1
UELFLU207-107T.....	3.1
UELFLU208D1.....	4.0
UELFLU208-108T.....	4.0
UELFLU208-109T.....	4.0
UELFLU209D1.....	4.6
UELFLU209-110T.....	4.6
UELFLU209-111T.....	4.6
UELFLU209-112T.....	4.6
UELFLU210D1.....	5.5
UELFLU210-113T.....	5.5
UELFLU210-114T.....	5.5
UELFLU210-115T.....	5.5
UELFLU210-200T.....	5.5
UELFLU211D1.....	7.7
UELFLU211-200T.....	7.7
UELFLU211-201T.....	7.7
UELFLU211-202T.....	7.7
UELFLU211-203T.....	7.7
UELFLU212D1.....	9.9
UELFLU212-204T.....	9.9
UELFLU212-206T.....	9.9
UELFLU212-207T.....	9.9
UELFLU213D1.....	12
UELFLU213-208T.....	12
UELFLU214D1.....	13
UELFLU214-211T.....	13
UELFLU214-212T.....	13
UELFLU215D1.....	15
UELFLU215-215T.....	15
UELFLU215-300T.....	15
ASFD2 SERIES	
ASFD201.....	7
ASFD201-008.....	7
ASFD202.....	7
ASFD202-009.....	7
ASFD202-010.....	7
ASFD203.....	7
ASFD203-011.....	7
ASFD204.....	9
ASFD204-012.....	9
ASFD205.....	1.1
ASFD205-013.....	1.1
ASFD205-014.....	1.1
ASFD205-015.....	1.1
ASFD205-100.....	1.1
ASFD206D1.....	1.8
ASFD206-101.....	1.8
ASFD206-102.....	1.8
ASFD206-103.....	1.8
ASFD206-104.....	1.8
ASFD207.....	2.0
ASFD207-104.....	2.0
ASFD207-105.....	2.0
ASFD207-106.....	2.0
ASFD207-107.....	2.0
AELFD2 SERIES	
AELFD201.....	7
AELFD201-008.....	7
AELFD202.....	7
AELFD202-009.....	7
AELFD202-010.....	7
AELFD203.....	7
AELFD203-011.....	7
AELFD204.....	1.1
AELFD204-012.....	1.1
AELFD205.....	1.1

AELFD205-013.....	1.1
AELFD205-014.....	1.1
AELFD205-015.....	1.1
AELFD205-100.....	1.1
AELFD206.....	1.8
AELFD206-101.....	1.8
AELFD206-102.....	1.8
AELFD206-103.....	1.8
AELFD206-104.....	1.8
AELFD207.....	2.2
AELFD207-104.....	2.2
AELFD207-105.....	2.2
AELFD207-106.....	2.2
AELFD207-107.....	2.2
JELFD2 SERIES	
JELFD201.....	7
JELFD201-008.....	7
JELFD202.....	7
JELFD202-009.....	7
JELFD202-010.....	7
JELFD203.....	7
JELFD203-011.....	7
JELFD204.....	1.1
JELFD204-012.....	1.1
JELFD205.....	1.1
JELFD205-013.....	1.1
JELFD205-014.....	1.1
JELFD205-015.....	1.1
JELFD205-100.....	1.1
JELFD206.....	1.8
JELFD206-101.....	1.8
JELFD206-102.....	1.8
JELFD206-103.....	1.8
JELFD206-104.....	1.8
JELFD207.....	2.2
JELFD207-104.....	2.2
JELFD207-105.....	2.2
JELFD207-106.....	2.2
JELFD207-107.....	2.2
UCF2 SERIES	
UCF201D1.....	1.5
UCF201-008T.....	1.5
UCF202D1.....	1.5
UCF202-009T.....	1.5
UCF202-010T.....	1.5
UCF203D1.....	1.3
UCF203-011T.....	1.3
UCF204D1.....	1.3
UCF204-012T.....	1.3
UCF205D1.....	1.8
UCF205-013T.....	1.8
UCF205-015T.....	1.8
UCF205-100T.....	1.8
UCF206D1.....	2.2
UCF206-101T.....	2.2
UCF206-102T.....	2.2
UCF206-103T.....	2.2
UCF206-104T.....	2.2
UCF207D1.....	3.1
UCF207-104T.....	3.1
UCF207-105T.....	3.1
UCF207-106T.....	3.1
UCF207-107T.....	3.1
UCF208D1.....	4.0
UCF208-108T.....	4.0
UCF208-109T.....	4.0
UCF209D1.....	4.9
UCF209-110T.....	4.9
UCF209-111T.....	4.9
UCF209-112T.....	4.9
UCF210D1.....	5.3
UCF210-113T.....	5.3

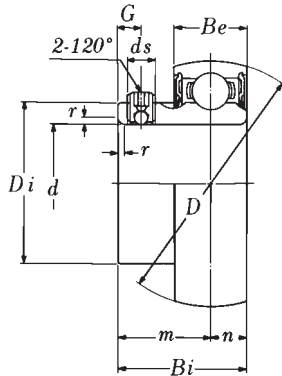


FLANGED UNITS

UCF210-114T.....	5.3	UCFX15-300T.....	18	UELF205D1.....	1.8	UELF312-207T.....	15
UCF210-115T.....	5.3	UCFX16D1.....	22	UELF205-013T.....	1.8	UELF313D1.....	18
UCF210-200T.....	5.3	UCFX16-302T.....	22	UELF205-014T.....	1.8	UELF313-208T.....	18
UCF211D1.....	7.9	UCFX16-303T.....	22	UELF205-015T.....	1.8	UELF314D1.....	22
UCF211-200T.....	7.9	UCFX16-304T.....	22	UELF205-100T.....	1.8	UELF314-211T.....	22
UCF211-201T.....	7.9	UCFX17D1.....	24	UELF206D1.....	2.6	UELF314-212T.....	22
UCF211-202T.....	7.9	UCFX17-305T.....	24	UELF206-101T.....	2.6	UELF315D1.....	26
UCF211-203T.....	7.9	UCFX17-307T.....	24	UELF206-102T.....	2.6	UELF315-215T.....	26
UCF212D1.....	9.7	UCFX18D1.....	24	UELF206-103T.....	2.6	UELF315-300T.....	26
UCF212-204T.....	9.7	UCFX18-308T.....	24	UELF206-104T.....	2.6	UELF316D1.....	35
UCF212-206T.....	9.7	UCFX20D1.....	37	UELF207D1.....	3.5	UELF316-302T.....	35
UCF212-207T.....	9.7	UCFX20-314T.....	37	UELF207-104T.....	3.5	UELF316-303T.....	35
UCF213D1.....	12	UCFX20-315T.....	37	UELF207-105T.....	3.5	UELF317D1.....	37
UCF213-208T.....	12	UCFX20-400T.....	37	UELF207-106T.....	3.5	UELF317-304T.....	37
UCF214D1.....	13			UELF207-107T.....	3.5	UELF318D1.....	46
UCF214-211T.....	13	UCF3 SERIES		UELF208D1.....	4.2	UELF318-307T.....	46
UCF214-212T.....	13	UCF305D1.....	2.4	UELF208-108T.....	4.2	UELF318-308T.....	46
UCF215D1.....	15	UCF305-014T.....	2.4	UELF208-109T.....	4.2	UELF319D1.....	51
UCF215-215T.....	15	UCF305-015T.....	2.4	UELF209D1.....	5.1	UELF319-312T.....	51
UCF215-300T.....	15	UCF305-100T.....	2.4	UELF209-110T.....	5.1	UELF320D1.....	62
UCF216D1.....	18	UCF306D1.....	3.5	UELF209-111T.....	5.1	UELF320-315T.....	62
UCF216-302T.....	18	UCF306-102T.....	3.5	UELF209-112T.....	5.1	UELF320-400T.....	62
UCF217D1.....	21	UCF306-103T.....	3.5	UELF210D1.....	5.7	UELF321D1.....	64
UCF217-304T.....	21	UCF307D1.....	4.4	UELF210-113T.....	5.7	UELF322D1.....	88
UCF218D1.....	24	UCF307-104T.....	4.4	UELF210-114T.....	5.7		
UCF218-308T.....	24	UCF307-105T.....	4.4	UELF210-115T.....	5.7	UELFU2 SERIES	
		UCF307-106T.....	4.4	UELF210-200T.....	5.7	UELFU204D1.....	1.8
		UCF307-107T.....	4.4	UELF211D1.....	8.4	UELFU204-012T.....	1.8
		UCF308D1.....	6.0	UELF211-200T.....	8.4	UELFU205D1.....	2.0
		UCF308-108T.....	6.0	UELF211-201T.....	8.4	UELFU205-013T.....	2.0
		UCF309D1.....	7.5	UELF211-202T.....	8.4	UELFU205-014T.....	2.0
		UCF309-110T.....	7.5	UELF211-203T.....	8.4	UELFU205-015T.....	2.0
		UCF309-111T.....	7.5	UELF212D1.....	11	UELFU205-100T.....	2.0
		UCF309-112T.....	7.5	UELF212-204T.....	11	UELFU206D1.....	2.9
		UCF310D1.....	9.9	UELF212-206T.....	11	UELFU206-101T.....	2.9
		UCF310-114T.....	9.9	UELF212-207T.....	11	UELFU206-102T.....	2.9
		UCF310-115T.....	9.9	UELF213D1.....	13	UELFU206-104T.....	2.9
		UCF311D1.....	12	UELF213-208T.....	13	UELFU207D1.....	4.0
		UCF311-200T.....	12	UELF214D1.....	14	UELFU207-104T.....	4.0
		UCF311-202T.....	12	UELF214-211T.....	14	UELFU207-105T.....	4.0
		UCF311-203T.....	12	UELF214-212T.....	14	UELFU207-106T.....	4.0
		UCF312D1.....	14	UELF215D1.....	16	UELFU207-107T.....	4.0
		UCF312-204T.....	14	UELF215-215T.....	16	UELFU208D1.....	4.6
		UCF312-206T.....	14	UELF215-300T.....	16	UELFU208-108T.....	4.6
		UCF312-207T.....	14			UELFU208-109T.....	4.6
		UCF313D1.....	17	UELF3 SERIES		UELFU209D1.....	5.5
		UCF313-208T.....	17	UELF305D1.....	2.6	UELFU209-110T.....	5.5
		UCF314D1.....	21	UELF305-014T.....	2.6	UELFU209-111T.....	5.5
		UCF314-211T.....	21	UELF305-015T.....	2.6	UELFU209-112T.....	5.5
		UCF314-212T.....	21	UELF305-100T.....	2.6	UELFU210D1.....	6.4
		UCF315D1.....	26	UELF306D1.....	3.7	UELFU210-113T.....	6.4
		UCF315-215T.....	26	UELF306-102T.....	3.7	UELFU210-114T.....	6.4
		UCF315-300T.....	26	UELF306-103T.....	3.7	UELFU210-115T.....	6.4
		UCF316D1.....	31	UELF307D1.....	4.4	UELFU210-200T.....	6.4
		UCF316-302T.....	31	UELF307-104T.....	4.4	UELFU211D1.....	9.3
		UCF316-303T.....	31	UELF307-105T.....	4.4	UELFU211-200T.....	9.3
		UCF317D1.....	35	UELF307-106T.....	4.4	UELFU211-201T.....	9.3
		UCF317-304T.....	35	UELF307-107T.....	4.4	UELFU211-202T.....	9.3
		UCF318D1.....	42	UELF308D1.....	6.2	UELFU211-203T.....	9.3
		UCF318-307T.....	42	UELF308-108T.....	6.2	UELFU212D1.....	11
		UCF318-308T.....	42	UELF309D1.....	7.9	UELFU212-204T.....	11
		UCF319D1.....	49	UELF309-110T.....	7.9	UELFU212-206T.....	11
		UCF319-312T.....	49	UELF309-111T.....	7.9	UELFU212-207T.....	11
		UCF320D1.....	57	UELF309-112T.....	7.9	UELFU213D1.....	13
		UCF320-315T.....	57	UELF310D1.....	10	UELFU213-208T.....	13
		UCF320-400T.....	57	UELF310-114T.....	10	UELFU214D1.....	13
		UCF321D1.....	60	UELF310-115T.....	10	UELFU214-211T.....	13
		UCF322D1.....	84	UELF311D1.....	13	UELFU214-212T.....	13
		UCF324D1.....	110	UELF311-200T.....	13	UELFU215D1.....	17
		UCF326D1.....	146	UELF311-202T.....	13	UELFU215-215T.....	17
		UCF328D1.....	198	UELF311-203T.....	13	UELFU215-300T.....	17
				UELF312D1.....	15		
		UELF2 SERIES		UELF312-204T.....	15		
		UELF204D1.....	1.5	UELF312-206T.....	15		
		UELF204-012T.....	1.5				



Units: **Millimeters**
INCHES

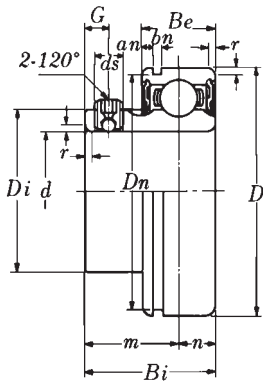


AS2

BALL BEARING INSERTS – AS2 SERIES

Bore <i>d</i>	Bearing Number	Nominal Dimensions								Socket Set Screw <i>ds</i>	Basic Load Ratings (lbs)	
		<i>D</i>	<i>Bi</i>	<i>Be</i>	<i>r</i>	<i>n</i>	<i>m</i>	<i>G</i>	<i>Di</i>		Dynamic <i>C</i>	Static <i>C₀</i>
12 ½	AS201 AS201-008	40 1.5748	22 .866	12 .472	1 .039	6 .236	16 .630	4.2 .165	24.4 .961	M5 X 0.8 10-32UNF	2,160	1,030
15 9/16 5/8	AS202 AS202-009 AS202-010	40 1.5748	22 .866	12 .472	1 .039	6 .236	16 .630	4.2 .165	24.4 .961	M5 X 0.8 10-32UNF	2,160	1,030
17 1 1/16	AS203 * AS203-011	40 1.5748	22 .866	12 .472	1 .039	6 .236	16 .630	4.2 .165	24.4 .961	M5 X 0.8 10-32UNF	2,160	1,030
20 ¾	AS204 AS204-012	47 1.8504	25 .984	14 .551	1.5 .059	7 .276	18 .708	4.2 .165	29.6 1.165	M5 X 0.8 10-32UNF	2,890	1,500
25 1 3/16 7/8 1 1/8	AS205 AS205-013 AS205-014 AS205-015 AS205-100	52 2.0472	27 1.063	15 .591	1.5 .059	7.5 .295	19.5 .768	5 .197	33.9 1.335	M5 X 0.8 10-32UNF	3,150	1,760
30 1 1/16 1 1/8 1 3/16 1 1/4	AS206 AS206-101 AS206-102 AS206-103 * AS206-104	62 2.4409	29 1.142	16 .630	1.5 .059	8 .315	21 .827	5 .197	40.8 1.606	M6 X 0.75 ¼-28UNF	4,400	2,540
35 1 ¼ 1 5/16 1 ¾ 1 7/16	AS207 AS207-104 AS207-105 AS207-106 * AS207-107	72 2.8349	34 1.339	17 .669	2 .079	8.5 .335	25.5 1.004	6 .236	46.8 1.843	M6 X 0.75 ¼-28UNF	5,750	3,440
40 1 ½ 1 9/16	AS208 AS208-108 AS208-109	80 3.1496	38 1.496	18 .709	2 .079	9 .354	29 1.142	8 .315	53 2.087	M8 X 1 5/16-24UNF	6,540	4,000

* Indicates units with notched set screw as standard



ASS2

BALL BEARING INSERTS – ASS2 SERIES

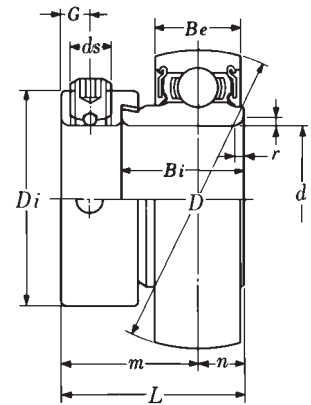
Bore <i>d</i>	Bearing Number	Nominal Dimensions											Socket Set Screw <i>ds</i>	Basic Load Ratings (lbs)	
		<i>D</i>	<i>Bi</i>	<i>Be</i>	<i>r</i>	<i>n</i>	<i>m</i>	<i>G</i>	<i>Di</i>	<i>Dn</i>	<i>an</i>	<i>bn</i>		Dynamic <i>C</i>	Static <i>C₀</i>
12 ½	ASS201N ASS201-008N	40 1.5748	22 .866	12 .472	1 .039	6 .236	16 .630	4.2 .165	24.4 .961	38.1 1.500	1.98 .078	1.5 .059	M5 X 0.8 10-32UNF	2,160	1,030
15 9/16 5/8	ASS202N ASS202-009N ASS202-010N	40 1.5748	22 .866	12 .472	1 .039	6 .236	16 .630	4.2 .165	24.4 .961	38.1 1.500	1.98 .078	1.5 .059	M5 X 0.8 10-32UNF	2,160	1,030
17 1 1/16	ASS203N * ASS203-011N	40 1.5748	22 .866	12 .472	1 .039	6 .236	16 .630	4.2 .165	24.4 .961	38.1 1.500	1.98 .078	1.5 .059	M5 X 0.8 10-32UNF	2,160	1,030
20 ¾	ASS204N ASS204-012N	47 1.8504	25 .984	14 .551	1.5 .059	7 .276	18 .708	4.2 .165	29.6 1.165	44.6 1.756	2.38 .094	1.5 .059	M5 X 0.8 10-32UNF	2,890	1,500
25 1 3/16 7/8 1 1/8	ASS205N ASS205-013N ASS205-014N ASS205-015N ASS205-100N	52 2.0472	27 1.063	15 .591	1.5 .059	7.5 .295	19.5 .768	5 .197	33.9 1.335	49.73 1.958	2.38 .094	1.5 .059	M5 X 0.8 10-32UNF	3,150	1,760
30 1 1/16 1 1/8 1 3/16 1 1/4	ASS206N ASS206-101N ASS206-102N ASS206-103N * ASS206-104N	62 2.4409	29 1.142	16 .630	1.5 .059	8 .315	21 .827	5 .197	40.8 1.606	59.61 2.347	3.18 .125	2.05 .081	M6 X 0.75 ¼-28UNF	4,400	2,540
35 1 ¼ 1 5/16 1 ¾ 1 7/16	ASS207N ASS207-104N ASS207-105N ASS207-106N * ASS207-107N	72 2.8349	34 1.339	17 .669	2 .079	8.5 .335	25.5 1.004	6 .236	46.8 1.843	68.81 2.709	3.18 .125	2.05 .081	M6 X 0.75 ¼-28UNF	5,750	3,440
40 1 ½ 1 9/16	ASS208N ASS208-108N ASS208-109N	80 3.1496	38 1.496	18 .709	2 .079	9 .354	29 1.142	8 .315	53 2.087	76.81 3.024	3.18 .125	2.05 .081	M8 X 1 5/16-24UNF	6,540	4,000

* Indicates units with notched set screw as standard

BALL BEARING INSERTS – AEL2 SERIES

Bore <i>d</i>	Bearing Number	Nominal Dimensions										Socket Set Screw <i>ds</i>	Basic Load Ratings (lbs)	
		<i>D</i>	<i>L</i>	<i>Bi</i>	<i>Be</i>	<i>r</i>	<i>n</i>	<i>m</i>	<i>G</i>	<i>Di</i>	Dynamic <i>C</i>		Static <i>C₀</i>	
12 ½	AEL201 AEL201-008	40 1.5748	28.6 1.126	19 .748	12 .472	1 .039	6.5 .256	22.1 .870	4.8 .189	29 1.14	M6 X 0.75 ¼-28UNF	2,160	1,030	
15 ⅝ ⅞	AEL202 AEL202-009 AEL202-010	40 1.5748	28.6 1.126	19 .748	12 .472	1 .039	6.5 .256	22.1 .870	4.8 .189	29 1.14	M6 X 0.75 ¼-28UNF	2,160	1,030	
17 ⅞	AEL203 AEL203-011	40 1.5748	28.6 1.126	19 .748	12 .472	1 .039	6.5 .256	22.1 .870	4.8 .189	29 1.14	M6 X 0.75 ¼-28UNF	2,160	1,030	
20 ¾	AEL204 AEL204-012	47 1.8504	31 1.219	21.5 .846	14 .551	1.5 .059	7.5 .295	23.5 .924	4.8 .189	33 1.31	M6 X 0.75 ¼-28UNF	2,890	1,500	
25 1⅜ 1⅝ 1⅞	AEL205 AEL205-013 AEL205-014 AEL205-015 AEL205-100	52 2.0472	31 1.219	21.5 .846	15 .591	1.5 .059	7.5 .295	23.5 .924	4.8 .189	38 1.50	M6 X 0.75 ¼-28UNF	3,150	1,760	
30 1⅞ 2 2⅜	AEL206 AEL206-101 AEL206-102 AEL206-103 AEL206-104	62 2.4409	35.7 1.406	23.8 .937	16 .630	1.5 .059	9 .354	26.7 1.052	6 .236	44.5 1.75	M8 X 1 ⅝-24UNF	4,400	2,540	
35 2 2⅜ 2⅝ 2⅞	AEL207 AEL207-104 AEL207-105 AEL207-106 AEL207-107	72 2.8346	38.9 1.531	25.4 1.000	17 .669	2 .079	9.5 .374	29.4 1.157	6.8 .268	55.5 2.19	M10 X 1.25 ¾-24UNF	5,750	3,440	
40 2⅞ 3	AEL208 AEL208-108 AEL208-109	80 3.1496	43.7 1.719	30.2 1.189	18 .709	2 .079	11 .433	32.7 1.286	6.8 .268	60 2.37	M10 X 1.25 ¾-24UNF	6,550	4,000	

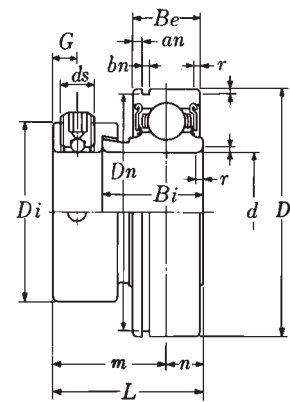
Units: Millimeters
INCHES



AEL2

BALL BEARING INSERTS – AELS2 SERIES

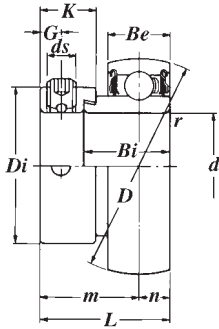
Bore <i>d</i>	Bearing Number	Nominal Dimensions												Socket Set Screw <i>ds</i>	Basic Load Ratings (lbs)	
		<i>D</i>	<i>L</i>	<i>Bi</i>	<i>Be</i>	<i>r</i>	<i>n</i>	<i>m</i>	<i>G</i>	<i>Di</i>	<i>Dn</i>	<i>an</i>	<i>bn</i>		Dynamic <i>C</i>	Static <i>C₀</i>
12 ½	AELS201N AELS201-008N	40 1.5748	28.6 1.126	19 .748	12 .472	1 .039	6.5 .256	22.1 .870	4.8 .189	29 1.14	38.1 1.500	1.98 .078	1.5 .059	M6 X 0.75 ¼-28UNF	2,160	1,030
15 ⅝ ⅞	AELS202N AELS202-009N AELS202-010N	40 1.5748	28.6 1.126	19 .748	12 .472	1 .039	6.5 .256	22.1 .870	4.8 .189	29 1.14	38.1 1.500	1.98 .078	1.5 .059	M6 X 0.75 ¼-28UNF	2,160	1,030
17 ⅞	AELS203N AELS203-011N	40 1.5748	28.6 1.126	19 .748	12 .472	1 .039	6.5 .256	22.1 .870	4.8 .189	29 1.14	38.1 1.500	1.98 .078	1.5 .059	M6 X 0.75 ¼-28UNF	2,160	1,030
20 ¾	AELS204N AELS204-012N	47 1.8504	31 1.219	21.5 .846	14 .551	1.5 .059	7.5 .295	23.5 .924	4.8 .189	33 1.31	44.6 1.756	2.38 .094	1.5 .059	M6 X 0.75 ¼-28UNF	2,890	1,500
25 1⅜ 1⅝ 1⅞	AELS205N AELS205-013N AELS205-014N AELS205-015N AELS205-100N	52 2.0472	31 1.219	21.5 .846	15 .591	1.5 .059	7.5 .295	23.5 .924	4.8 .189	38 1.50	49.7 1.958	2.38 .094	1.5 .059	M6 X 0.75 ¼-28UNF	3,150	1,760
30 1⅞ 2 2⅜	AELS206N AELS206-101N AELS206-102N AELS206-103N AELS206-104N	62 2.4409	35.7 1.406	23.8 .937	16 .630	1.5 .059	9 .354	26.7 1.052	6 .236	44.5 1.75	59.6 2.347	3.18 .125	2.05 .081	M8 X 1 ⅝-24UNF	4,400	2,540
35 2 2⅜ 2⅝ 2⅞	AELS207N AELS207-104N AELS207-105N AELS207-106N AELS207-107N	72 2.8346	38.9 1.531	25.4 1.000	17 .669	2 .079	9.5 .374	29.4 1.157	6.8 .268	55.5 2.19	68.8 2.709	3.18 .125	2.05 .081	M10 X 1.25 ¾-24UNF	5,750	3,440
40 2⅞ 3	AELS208N AELS208-108N AELS208-109N	80 3.1496	43.7 1.719	30.2 1.189	18 .709	2 .079	11 .433	32.7 1.286	6.8 .268	60 2.37	76.8 3.024	3.18 .125	2.05 .081	M10 X 1.25 ¾-24UNF	6,550	4,000



AELS2



Units: Millimeters
INCHES

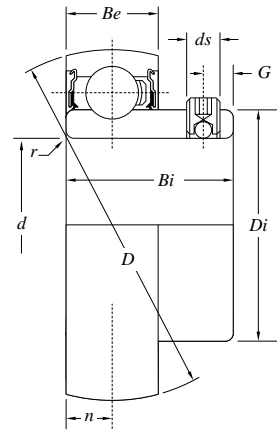


Bore <i>d</i>	Bearing Number	Nominal Dimensions									Socket Set Screw <i>ds</i>	Basic Load Ratings (lbs)	
		<i>D</i>	<i>L</i>	<i>Bi</i>	<i>Be</i>	<i>r</i>	<i>n</i>	<i>m</i>	<i>G</i>	<i>Di</i>		Dynamic <i>C</i>	Static <i>C₀</i>
12 ½	JEL201 JEL201-008	40 1.5748	28.6 1.126	19 .748	13 .512	1 .039	6.5 .256	22.1 .870	4.8 .189	29 1.142	M6 X 0.75 ¼-28UNF	2,160	1,030
15 ⅝	JEL202 JEL202-009 JEL202-010	40 1.5748	28.6 1.126	19 .748	13 .512	1 .039	6.5 .256	22.1 .870	4.8 .189	29 1.142	M6 X 0.75 ¼-28UNF	2,160	1,030
17 1¼	JEL203 JEL203-011	40 1.5748	28.6 1.126	19 .748	13 .512	1 .039	6.5 .256	22.1 .870	4.8 .189	29 1.142	M6 X 0.75 ¼-28UNF	2,160	1,030
20 ¾	JEL204 JEL204-012	47 1.8504	31.0 1.220	21.5 .846	15 .591	1.5 .059	7.5 .295	23.5 .925	4.8 .189	33 1.299	M6 X 0.75 ¼-28UNF	2,890	1,500
25 1⅜ 7/8 1⅝ 1	JEL205 JEL205-013 JEL205-014 JEL205-015 JEL205-100	52 2.0472	31.0 1.220	21.5 .846	15 .591	1.5 .059	7.5 .295	23.5 .925	4.8 .189	38 1.496	M6 X 0.75 ¼-28UNF	3,150	1,770
30 1⅞ 1⅝ 1⅜ 1¼	JEL206 JEL206-101 JEL206-102 JEL206-103 JEL206-104	62 2.4409	35.7 1.406	23.8 .937	18 .709	1.5 .059	9 .354	26.7 1.051	6 .236	44.5 1.752	M8 X 1 ⅝-24UNF	4,400	2,540
35 1¼ 1⅝ 1⅜ 1⅞	JEL207 JEL207-104 JEL207-105 JEL207-106 JEL207-107	72 2.8346	38.9 1.531	25.4 1.000	19 .748	2 .079	9.5 .374	29.4 1.157	6.8 .268	55.5 2.185	M10 X 1.25 ¾-24UNF	5,750	3,450
40 1½ 1⅞	JEL208 JEL208-108 JEL208-109	80 3.1496	43.7 1.720	30.2 1.189	22 .866	2 .079	11 .433	32.7 1.287	6.8 .268	60 2.362	M10 X 1.25 ¾-24UNF	6,550	4,000
45 1⅞ 1⅝ 1⅜	JEL209 JEL209-110 JEL209-111 JEL209-112	85 3.3465	43.7 1.720	30.2 1.189	22 .866	2 .079	11 .433	32.7 1.287	6.8 .268	63.5 2.50	M10 X 1.25 ¾-24UNF	7,380	4,580
50 1⅞ 1⅝	JEL210 JEL210-114 JEL210-115	90 3.5433	43.7 1.720	30.2 1.189	22 .866	2 .079	11 .433	32.7 1.287	6.8 .268	69.5 2.74	M10 X 1.25 ¾-24UNF	7,930	5,220
55 2 2⅞	JEL211 JEL211-200 JEL211-203	100 3.9370	48.4 1.906	32.5 1.280	24 .945	2.5 .098	12 .472	36.4 1.433	8 .315	76 3.00	M10 X 1.25 ¾-24UNF	9,810	6,570
60 2¼	JEL212 JEL212-204	110 4.3307	53.1 2.091	37.2 1.465	27 1.063	2.5 .098	13.5 .531	39.6 1.559	8 .315	84 3.31	M10 X 1.25 ¾-24UNF	11,800	8,150

BALL BEARING INSERTS

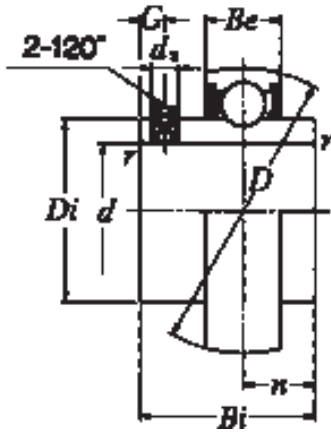
Bore <i>d</i>	Bearing Number	Nominal Dimensions							Socket Set Screw <i>ds</i>	Basic Load Ratings (lbs)	
		<i>D</i>	<i>Bi</i>	<i>Be</i>	<i>r</i>	<i>n</i>	<i>G</i>	<i>Di</i>		Dynamic <i>C</i>	Static <i>C₀</i>
12 ½	AR201 AR201-008	40 1.5748	22.5 .8858	13 .5118	1 .0394	6.5 .2559	5 .1969	24.4 .9606	M6 X 0.75 ¼-28UNF	1,370	615
15 ⅝ ⅝	AR202 AR202-009 AR202-010	40 1.5748	22.5 .8858	13 .5118	1 .0394	6.5 .2559	5 .1969	24.4 .9606	M6 X 0.75 ¼-28UNF	1,740	805
17 ⅞ ⅞	AR203 AR203-011	40 1.5748	22.5 .8858	13 .5118	1 .0394	6.5 .2559	5 .1969	24.4 .9606	M6 X 0.75 ¼-28UNF	2,160	1,030
20 ¾	AR204 AR204-012	47 1.8504	25.5 1.0039	15 .5906	1.5 .0591	7.5 .2953	5 .1969	29.6 1.1654	M6 X 0.75 ¼-28UNF	2,890	1,500
25 1⅜ ⅞ 1⅝ 1	AR205 AR205-013 AR205-014 AR205-015 AR205-100	52 2.0472	27 1.0630	15 .5906	1.5 .0591	7.5 .2953	5 .1969	33.9 1.3346	M6 X 0.75 ¼-28UNF	3,150	1,770
30 1⅞ 1⅝ 1⅜ 1¼	AR206 AR206-101 AR206-102 AR206-103 AR206-104	62 2.4409	30 1.1811	18 .7087	1.5 .0591	9 .3543	5 .1969	40.8 1.6063	M6 X 0.75 ¼-28UNF	4,400	2,540
35 1¾ 1⅝ 1⅜ 1⅞	AR207 AR207-104 AR207-105 AR207-106 AR207-107	72 2.8346	35 1.3780	19 .7480	2 .0787	9.5 .3740	6 .2362	46.8 1.8425	M6 X 0.75 ¼-28UNF	5,750	3,450
40 1½ 1⅞	AR208 AR208-108 AR208-109	80 3.1496	40 1.5748	22 .8661	2 .0787	11 .4331	8 .3150	53 2.0866	M8 X 1 ⅝-24UNF	6,550	4,000
45 1⅝ 1⅞ 1¾	AR209 AR209-110 AR209-111 AR209-112	85 3.3465	41.5 1.6339	22 .8661	2 .0787	11 .4331	8 .3150	57.5 2.2638	M8 X 1 ⅝-24UNF	7,350	4,600
50 1⅞ 1⅞ 1⅝ 2	AR210 AR210-113 AR210-114 AR210-115 AR210-200	90 3.5433	43 1.6929	22 .8661	2 .0787	11 .4331	9 .3543	62.4 2.4567	M8 X 1 ⅝-24UNF	7,900	5,200

Units: Millimeters
INCHES





Units: Millimeters
INCHES



BALL BEARING INSERTS

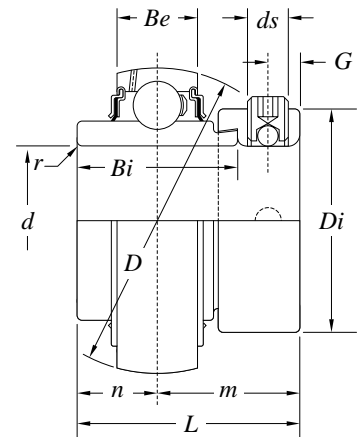
Bore <i>d</i>	Bearing Number	Nominal Dimensions							Socket Set Screw <i>ds</i>	Basic Load Ratings (lbs)	
		<i>D</i>	<i>Bi</i>	<i>Be</i>	<i>r</i>	<i>n</i>	<i>G</i>	<i>Di</i>		Dynamic <i>C</i>	Static <i>C₀</i>
12 ½	UR201 UR201-008	47 1.8504	31 1.2205	15 .5906	1 .0394	12.7 .5000	5 .1969	29.6 1.1654	M6 X 0.75 ¼-28UNF	1,370	615
15 ⅝ ⅞	UR202 UR202-009 UR202-010	47 1.8504	31 1.2205	15 .5906	1 .0394	12.7 .5000	5 .1969	29.6 1.1654	M6 X 0.75 ¼-28UNF	1,740	805
17 1 ¼	UR203 UR203-011	47 1.8504	31 1.2205	15 .5906	1 .0394	12.7 .5000	5 .1969	29.6 1.1654	M6 X 0.75 ¼-28UNF	2,160	1,030
20 ¾	UR204 UR204-012	47 1.8504	31 1.2205	15 .5906	1.5 .0591	12.7 .5000	5 .1969	29.6 1.1654	M6 X 0.75 ¼-28UNF	2,890	1,500
25 1 ⅜ 1 ½ 1 ⅝ 1	UR205 UR205-013 UR205-014 UR205-015 UR205-100	52 2.0472	34 1.3386	15 .5906	1.5 .0591	14.3 .5630	5 .1969	33.9 1.3346	M6 X 0.75 ¼-28UNF	3,150	1,770
30 1 ⅞ 1 ¾ 1 ⅝ 1 ¼	UR206 UR206-101 UR206-102 UR206-103 UR206-104	62 2.4409	38.1 1.5000	18 .7087	1.5 .0591	15.9 .6260	5 .1969	40.8 1.6063	M6 X 0.75 ¼-28UNF	4,400	2,540
35 1 ¾ 1 ⅝ 1 ⅜ 1 ⅞	UR207 UR207-104 UR207-105 UR207-106 UR207-107	72 2.8346	42.9 1.6890	19 .7480	2 .0787	17.5 .6890	6 .2362	46.8 1.8425	M6 X 0.75 ¼-28UNF	5,750	3,450
40 1 ½ 1 ⅞	UR208 UR208-108 UR208-109	80 3.1496	49.2 1.9370	22 .8661	2 .0787	19 .7480	8 .3150	53 2.0866	M8 X 1 ⅝-24UNF	6,550	4,000
45 1 ⅝ 1 1 ¼ 1 ¾	UR209 UR209-110 UR209-111 UR209-112	85 3.3465	49.2 1.9370	22 .8661	2 .0787	19 .7480	8 .3150	57.5 2.2638	M8 X 1 ⅝-24UNF	7,350	4,600
50 1 1 ⅜ 1 ⅝ 1 1 ⅝ 2	UR210 UR210-113 UR210-114 UR210-115 UR210-200	90 3.5433	51.6 2.0315	22 .8661	2 .0787	19 .7480	9 .3543	62.4 2.4567	M8 X 1 ⅝-24UNF	7,900	5,200
55 2 2 ⅞ 2 ⅝ 2 ¾	UR211 UR211-200 UR211-201 UR211-202 UR211-203	100 3.9370	55.6 2.1890	24 .9449	2.5 .0984	22.2 .8740	9 .3543	69 2.7165	M8 X 1 ⅝-24UNF	9,750	6,550
60 2 ¼ 2 ⅝ 2 ⅞ 2 ¾	UR212 UR212-204 UR212-205 UR212-206 UR212-207	110 4.3307	65.1 2.5630	27 1.0630	2.5 .0984	25.4 1.0000	10 .3937	77 3.0315	M10 X 1.25 ⅝-24UNF	11,800	8,150

BALL BEARING INSERTS

Units: **Millimeters**
INCHES

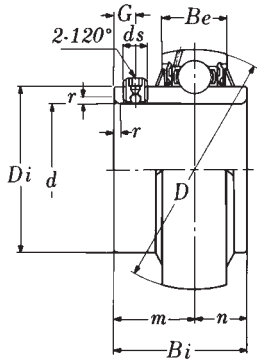


Bore <i>d</i>	Bearing Number	Nominal Dimensions										Socket Set Screw <i>ds</i>	Basic Load Ratings (lbs)	
		<i>D</i>	<i>L</i>	<i>Bi</i>	<i>Be</i>	<i>r</i>	<i>n</i>	<i>m</i>	<i>G</i>	<i>Di</i>	Dynamic <i>C</i>		Static <i>C₀</i>	
20 ¾	REL204 REL204-012	47 1.8504	43.7 1.720	34.2 1.3465	15 .591	1.5 .059	17.1 .673	26.6 1.047	4.8 .189	33 1.31	M6 X 0.75 ¼-28UNF	2,890	1,500	
25 1 1/16 7/8 1 1/8 1	REL205 REL205-013 REL205-014 REL205-015 REL205-100	52 2.0472	44.4 1.748	34.9 1.3740	15 .591	1.5 .059	17.45 .687	26.9 1.061	4.8 .189	38 1.50	M6 X 0.75 ¼-28UNF	3,150	1,770	
30 1 1/16 1 1/8 1 3/16 1 1/4	REL206 REL206-101 REL206-102 REL206-103 REL206-104	62 2.4409	48.4 1.906	36.5 1.4370	18 .709	1.5 .059	18.25 .719	30.2 1.188	6 .236	44.5 1.75	M8 X 1 5/16-24UNF	4,400	2,540	
35 1 1/4 1 5/16 1 3/8 1 7/16	REL207 REL207-104 REL207-105 REL207-106 REL207-107	72 2.8346	51.1 2.012	37.6 1.4803	19 .748	2 .079	18.8 .740	32.3 1.272	6.8 .268	55.5 2.19	M10 X 1.25 3/8-28UNF	5,750	3,450	
40 1 1/2 1 9/16	REL208 REL208-108 REL208-109	80 3.1496	56.3 2.217	42.8 1.6850	22 .866	2 .079	21.4 .843	34.9 1.375	6.8 .268	60 2.37	M10 X 1.25 3/8-28UNF	6,550	4,000	
45 1 5/8 1 11/16 1 3/4	REL209 REL209-110 REL209-111 REL209-112	85 3.3465	56.3 2.217	42.8 1.6850	22 .866	2 .079	21.4 .843	34.9 1.375	6.8 .268	63.5 2.50	M10 X 1.25 3/8-28UNF	7,350	4,600	
50 1 13/16 1 7/8 1 15/16 2	REL210 REL210-113 REL210-114 REL210-115 REL210-200	90 3.5433	62.7 2.469	49.2 1.9370	22 .866	2 .079	24.6 .969	38.1 1.501	6.8 .268	69.5 2.74	M10 X 1.25 3/8-28UNF	7,900	5,200	
55 2 2 1/16 2 1/8 2 3/16	REL211 REL211-200 REL211-201 REL211-202 REL211-203	100 3.9370	71.4 2.811	55.5 2.1850	24 .945	2.5 .098	27.75 1.093	43.7 1.719	8 .315	76 3.00	M10 X 1.25 3/8-28UNF	9,750	6,550	
60 2 1/4 2 5/16 2 3/8 2 7/16	REL212 REL212-204 REL212-205 REL212-206 REL212-207	110 4.3307	77.8 3.063	61.9 2.4370	27 1.063	2.5 .098	30.95 1.219	46.9 1.845	8 .315	84 3.31	M10 X 1.25 3/8-28UNF	11,800	8,150	





Units: **Millimeters**
INCHES



BALL BEARING INSERTS

Bore <i>d</i>	Bearing Number	Nominal Dimensions								Socket Set Screw <i>ds</i>	Basic Load Ratings (lbs)	
		<i>D</i>	<i>Bi</i>	<i>Be</i>	<i>r</i>	<i>n</i>	<i>m</i>	<i>G</i>	<i>Di</i>		Dynamic <i>C</i>	Static <i>C₀</i>
12 ½	UC201D1 UC201-008D1	47 1.8504	31 1.220	18 .709	1 .039	12.7 .500	18.3 .720	4.5 .177	29.6 1.165	M5 X 0.8 10-32UNF	2,890	1,500
15 9/16 5/8	UC202D1 UC202-009D1 UC202-010D1	47 1.8504	31 1.220	18 .709	1 .039	12.7 .500	18.3 .720	4.5 .177	29.6 1.165	M5 X 0.8 10-32UNF	2,890	1,500
17 1 1/16	UC203D1 UC203-011D1	47 1.8504	31 1.220	18 .709	1 .039	12.7 .500	18.3 .720	4.5 .177	29.6 1.165	M5 X 0.8 10-32UNF	2,890	1,500
20 ¾	UC204D1 UC204-012D1	47 1.8504	31 1.220	18 .709	1.5 .059	12.7 .500	18.3 .720	4.5 .177	29.6 1.165	M5 X 0.8 10-32UNF	2,890	1,500
25 1 3/16 7/8 1 5/16 1	UC205D1 UC205-013D1 UC205-014D1 UC205-015D1 UC205-100D1	52 2.0472	34 1.339	18 .709	1.5 .059	14.3 .563	19.7 .776	5 .197	33.9 1.335	M5 X 0.8 10-32UNF	3,150	1,760
30 1 1/16 1 1/8 1 3/8 1 1/4	UC206D1 UC206-101D1 UC206-102D1 UC206-103D1 * UC206-104D1	62 2.4409	38.1 1.500	20 .787	1.5 .059	15.9 .626	22.2 .874	5 .197	40.8 1.606	M6 X 0.75 ¼-28UNF	4,400	2,540
35 1 ¼ 1 5/16 1 3/8 1 7/16	UC207D1 UC207-104D1 UC207-105D1 UC207-106D1 * UC207-107D1	72 2.8346	42.9 1.689	22 .866	2 .079	17.5 .689	25.4 1.000	6 .236	46.8 1.843	M6 X 0.75 ¼-28UNF	5,750	3,440
40 1 ½ 1 9/16	UC208D1 UC208-108D1 UC208-109D1	80 3.1496	49.2 1.937	24 .945	2 .079	19 .748	30.2 1.189	8 .315	53 2.087	M8 X 1 5/16-24UNF	6,550	4,000
45 1 5/8 1 11/16 1 ¾	UC209D1 UC209-110D1 UC209-111D1 UC209-112D1	85 3.3465	49.2 1.937	24 .945	2 .079	19 .748	30.2 1.189	8 .315	57.5 2.264	M8 X 1 5/16-24UNF	7,350	4,590
50 1 13/16 1 7/8 1 15/16 2	UC210D1 UC210-113D1 UC210-114D1 UC210-115D1 UC210-200D1	90 3.5433	51.6 2.031	25 .984	2 .079	19 .748	32.6 1.283	9 .354	62.4 2.457	M8 X 1 5/16-24UNF	7,900	5,220
55 2 2 1/16 2 1/8 2 3/16	UC211D1 UC211-200D1 UC211-201D1 UC211-202D1 UC211-203D1	100 3.9370	55.6 2.189	27 1.063	2.5 .098	22.2 .874	33.4 1.315	9 .354	69 2.717	M8 X 1 5/16-24UNF	9,750	6,560
60 2 ¼ 2 3/8 2 7/16	UC212D1 UC212-204D1 UC212-206D1 * UC212-207D1	110 4.3307	65.1 2.563	30 1.181	2.5 .098	25.4 1.000	39.7 1.563	10 3.94	77 3.031	M10 X 1.25 ¾-24UNF	11,800	8,100
65 2 ½	UC213D1 UC213-208D1	120 4.7244	65.1 2.563	32 1.260	2.5 .098	25.4 1.000	39.7 1.563	10 .394	82.5 3.248	M10 X 1.25 ¾-24UNF	12,900	9,000
70 2 11/16 2 ¾	UC214D1 UC214-211D1 UC214-212D1	125 4.9213	74.6 2.937	33 1.299	2.5 .098	30.2 1.189	44.4 1.748	12 .472	87 3.425	M10 X 1.25 ¾-24UNF	14,000	9,900
75 2 15/16 3	UC215D1 UC215-215D1 UC215-300D1	130 5.1181	77.8 3.063	34 1.339	2.5 .098	33.3 1.311	44.5 1.752	12 .472	93 3.661	M10 X 1.25 ¾-24UNF	14,900	11,100
80 3 1/8	UC216D1 UC216-302D1	140 5.5118	82.6 3.252	35 1.378	3 .118	33.3 1.311	49.3 1.941	12 .472	98.1 3.862	M10 X 1.25 ¾-24UNF	16,300	11,900
85 3 ¼	UC217D1 UC217-304D1	150 5.9055	85.7 3.374	36 1.417	3 .118	34.1 1.343	51.6 2.031	12 .472	106.1 4.177	M12 X 1.5 ½-20UNF	18,700	14,400
90 3 ½	UC218D1 UC218-308D1	160 6.2992	96 3.780	37 1.457	3 .118	39.7 1.563	56.3 2.217	12 .472	111.6 4.394	M12 X 1.5 ½-20UNF	21,600	16,100

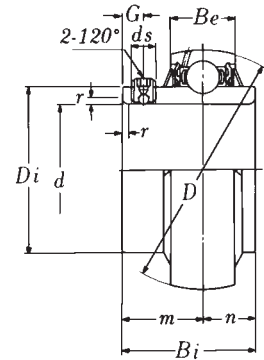
* Indicates units with notched set screw as standard.

BALL BEARING INSERTS

Units: **Millimeters**
INCHES

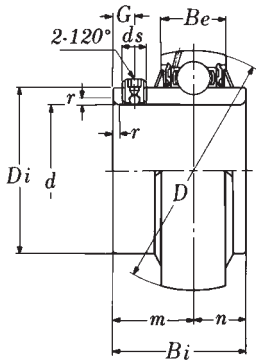


Bore <i>d</i>	Bearing Number	Nominal Dimensions								Socket Set Screw <i>ds</i>	Basic Load Ratings (lbs)	
		<i>D</i>	<i>Bi</i>	<i>Be</i>	<i>r</i>	<i>n</i>	<i>m</i>	<i>G</i>	<i>Di</i>		Dynamic <i>C</i>	Static <i>C₀</i>
25 1 1/16 7/8 15/16 1	UCX05D1 UCX25-013D1 UCX05-014D1 UCX05-015D1 UCX05-100D1	62 2.4409	38.1 1.500	20 .787	1.5 .059	15.9 .626	22.2 .874	5 .197	40.8 1.606	M6 X 0.75 1/4-28UNF	4,400	2,540
30 1 1/8 1 1/8 1 3/16	UCX06D1 UCX06-101D1 UCX06-102D1 UCX06-102D1	72 2.8346	42.9 1.689	22 .866	1.5 .059	17.5 .689	25.4 1.000	6 .236	46.8 1.843	M8 X 1 5/16-24UNF	5,750	3,440
35 1 5/16 1 3/8 1 7/16	UCX07D1 UCX07-105D1 UCX07-106D1 UCX07-107D1	80 3.1496	49.2 1.937	24 .945	2 .079	19 .748	30.2 1.189	8 .315	53 2.087	M8 X 1 5/16-24UNF	6,550	4,000
40 1 1/2 1 9/16	UCX08D1 UCX08-108D1 UCX08-109D1	85 3.3465	49.2 1.937	24 .945	2 .079	19 .748	30.2 1.189	8 .315	57.5 2.264	M8 X 1 5/16-24UNF	7,350	4,590
45 1 5/8 1 11/16 1 3/4	UCX09D1 UCX09-110D1 UCX09-111D1 UCX09-112D1	90 3.5433	51.6 2.031	25 .984	2 .079	19 .748	32.6 1.283	9 .354	62.4 2.457	M10 X 1.25 3/8-24UNF	7,900	5,220
50 1 7/8 1 15/16	UCX10D1 UCX10-114D1 UCX10-115D1	100 3.9370	55.6 2.189	27 1.063	2 .079	22.2 .874	33.4 1.315	9 .354	69 2.717	M10 X 1.25 3/8-24UNF	9,750	6,560
55 2 1/16 2 1/8 2 3/16	UCX11D1 UCX11-201D1 UCX11-202D1 UCX11-203D1	110 4.3307	65.1 2.563	30 1.181	2.5 .098	25.4 1.000	39.7 1.563	10 .394	77 3.031	M10 X 1.25 3/8-24UNF	11,800	8,100
60 2 3/8 2 7/16	UCX12D1 UCX12-206D1 UCX12-207D1	120 4.7244	65.1 2.563	32 1.260	2.5 .098	25.4 1.000	39.7 1.563	10 .394	82.5 3.248	M10 X 1.25 3/8-24UNF	12,900	9,000
65 2 1/2 2 5/8	UCX13D1 UCX13-208D1 UCX13-209D1	125 4.9213	74.6 2.937	33 1.299	2.5 .098	30.2 1.189	44.4 1.748	12 .472	87 3.425	M12 X 1.5 1/2-20UNF	14,000	9,900
70 2 5/8 2 11/16 2 3/4	UCX14D1 UCX14-210D1 UCX14-211D1 UCX14-212D1	130 5.1181	77.8 3.063	34 1.339	2.5 .098	33.3 1.311	44.5 1.752	12 .472	93 3.661	M12 X 1.5 1/2-20UNF	14,900	11,100
75 2 13/16 2 7/8 2 15/16 3	UCX15D1 UCX15-213D1 UCX15-214D1 UCX15-215D1 UCX15-300D1	140 5.5118	82.6 3.252	35 1.378	2.5 .098	33.3 1.311	49.3 1.941	12 .472	98.1 3.862	M12 X 1.5 1/2-20UNF	16,300	11,900
80 3 1/8 3 3/16	UCX16D1 UCX16-302D1 UCX16-303D1	150 5.9055	85.7 3.374	36 1.417	3 .118	34.1 1.343	51.6 2.031	12 .472	106.1 4.177	M12 X 1.5 1/2-20UNF	18,700	14,400
85 3 5/16 3 7/16	UCX17D1 UCX17-305D1 UCX17-307D1	160 6.2992	96 3.780	37 1.457	3 .118	39.7 1.563	56.3 2.217	12 .472	111.6 4.394	M12 X 1.5 1/2-20UNF	21,600	16,100
90 3 1/2	UCX18D1 UCX18-308D1	170 6.6929	104 4.094	39 1.535	3 .118	42.9 1.689	61.1 2.406	14 .551	118.2 4.654	M14 X 1.5 5/16-18UNF	24,500	18,400
100 3 7/8 3 15/16 4	UCX20D1 UCX20-314D1 UCX20-315D1 UCX20-400D1	190 7.4803	117.5 4.626	44 1.732	3.5 .138	49.2 1.937	68.3 2.689	16 .630	131.3 5.169	M16 X 1.5 5/8-18UNF	29,900	23,600





Units: Millimeters
INCHES



BALL BEARING INSERTS

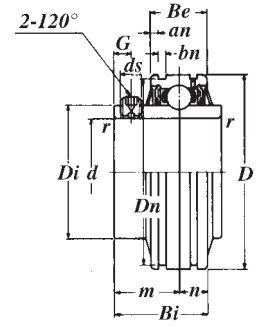
Bore <i>d</i>	Bearing Number	Nominal Dimensions								Socket Set Screw <i>ds</i>	Basic Load Ratings (lbs)	
		<i>D</i>	<i>Bi</i>	<i>Be</i>	<i>r</i>	<i>n</i>	<i>m</i>	<i>G</i>	<i>Di</i>		Dynamic <i>C</i>	Static <i>C₀</i>
25 7/8 15/16 1	UC305D1 UC305-014D1 UC305-015D1 UC305-100D1	62 2.4409	38 1.496	20 .787	2 .079	15 .591	23 .906	6 .236	36.8 1.449	M6 X 0.75 1/4-28UNF	4,750	2,460
30 1 1/8 1 1/16	UC306D1 UC306-102D1 UC306-103D1	72 2.8346	43 1.693	23 .906	2 .079	17 .669	26 1.024	6 .236	44.9 1.768	M6 X 0.75 1/4-28UNF	6,000	3,400
35 1 1/4 1 5/16 1 3/8 1 7/16	UC307D1 UC307-104D1 UC307-105D1 UC307-106D1 UC307-107D1	80 3.1496	48 1.890	25 .984	2.5 .098	19 .748	29 1.142	8 .315	49.4 1.945	M8 X 1 5/16-24UNF	7,500	4,300
40 1 1/2	UC308D1 UC308-108D1	90 3.5433	52 2.047	27 1.063	2.5 .098	19 .748	33 1.299	10 .394	56 2.205	M10 X 1.25 3/8-24UNF	9,150	5,400
45 1 5/8 1 11/16 1 3/4	UC309D1 UC309-110D1 UC309-111D1 UC309-112D1	100 3.9370	57 2.244	29 1.142	2.5 .098	22 .866	35 1.378	10 .394	63.5 2.500	M10 X 1.25 3/8-24UNF	11,900	7,200
50 1 7/8 1 15/16	UC310D1 UC310-114D1 UC310-115D1	110 4.3307	61 2.402	32 1.260	3 .118	22 .866	39 1.535	12 .472	70.6 2.780	M12 X 1.5 1/2-20UNF	13,900	8,660
55 2 2 1/8 2 3/16	UC311D1 UC311-200D1 UC311-202D1 UC311-203D1	120 4.7244	66 2.598	34 1.339	3 .118	25 .984	41 1.614	12 .472	76.6 3.016	M12 X 1.5 1/2-20UNF	16,100	10,100
60 2 1/4 2 3/8 2 7/16	UC312D1 UC312-204D1 UC312-206D1 UC312-207D1	130 5.1181	71 2.795	36 1.417	3.5 .138	26 1.024	45 1.772	12 .472	82.7 3.256	M12 X 1.5 1/2-20UNF	18,400	11,700
65 2 1/2	UC313D1 UC313-208D1	140 5.5118	75 2.953	39 1.535	3.5 .138	30 1.181	45 1.772	12 .472	88.2 3.472	M12 X 1.5 1/2-20UNF	20,800	13,400
70 2 11/16 2 3/4	UC314D1 UC314-211D1 UC314-212D1	150 5.9055	78 3.071	41 1.614	3.5 .138	33 1.299	45 1.772	12 .472	94.8 3.732	M12 X 1.5 1/2-20UNF	23,400	15,300
75 2 5/8 3	UC315D1 UC315-215D1 UC315-300D1	160 6.2992	82 3.228	43 1.693	3.5 .138	32 1.260	50 1.969	14 .551	101.3 3.988	M14 X 1.5 5/16-18UNF	25,500	17,400
80 3 1/8 3 3/16	UC316D1 UC316-302D1 UC316-303D1	170 6.6929	86 3.386	45 1.772	3.5 .138	34 1.339	52 2.047	14 .551	107.9 4.248	M14 X 1.5 5/16-18UNF	27,600	19,500
85 3 1/4	UC317D1 UC317-304D1	180 7.0866	96 3.780	47 1.850	4 .157	40 1.575	56 2.205	16 .630	114.4 4.504	M16 X 1.5 5/16-18UNF	29,800	21,800
90 3 7/16 3 1/2	UC318D1 UC318-307D1 UC318-308D1	190 7.4803	96 3.780	49 1.929	4 .157	40 1.575	56 2.205	16 .630	120.9 4.760	M16 X 1.5 5/16-18UNF	32,000	24,100
95 3 3/4	UC319D1 UC319-312D1	200 7.8740	103 4.055	51 2.008	4 .157	41 1.614	62 2.441	16 .630	127.5 5.020	M16 X 1.5 5/16-18UNF	34,500	26,600
100 3 15/16 4	UC320D1 UC320-315D1 UC320-400D1	215 8.4646	108 4.252	55 2.165	4 .157	42 1.654	66 2.598	18 .709	135.6 5.339	M18 X 1.5 5/16-18UNF	39,000	31,500
105	UC321D1	225	112	57	4	44	68	18	142.1	M18 X 1.5	41,400	34,500
110	UC322D1	240	117	59	4	46	71	18	151.7	M18 X 1.5	46,100	40,500
120	UC324D1	260	126	63	4	51	75	18	165.2	M18 X 1.5	46,600	41,500
130	UC326D1	280	135	67	5	54	81	20	178.3	M20 X 1.5	51,500	48,000
140	UC328D1	300	145	71	5	59	86	20	190.4	M20 X 1.5	56,900	55,500

BALL BEARING INSERTS

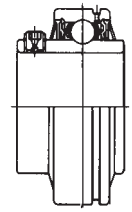
Units: Millimeters
INCHES



Bore <i>d</i>	Bearing Number	Nominal Dimensions											Socket Set Screw <i>ds</i>	Basic Load Ratings (lbs)	
		<i>D</i>	<i>Bi</i>	<i>Be</i>	<i>r</i>	<i>n</i>	<i>m</i>	<i>G</i>	<i>Di</i>	<i>Dn</i>	<i>an</i>	<i>bn</i>		Dynamic <i>C</i>	Static <i>C₀</i>
12 ½	UCS201D1N UCS201-008D1N	47 1.8504	31 1.220	18 .079	1 .039	12.7 .500	18.3 .720	4.5 .177	29.6 1.165	44.6 1.756	3.2 .126	1.5 .059	M5 X 0.8 10-32UNF	2,890	1,500
15 ⅝ ⅝	UCS202D1N UCS202-009D1N UCS202-010D1N	47 1.8504	31 1.220	18 .709	1 .039	12.7 .500	18.3 .720	4.5 .177	29.6 1.165	44.6 1.756	3.2 .126	1.5 .059	M5 X 0.8 10-32UNF	2,890	1,500
17 1⅞	UCS203D1N UCS203-011D1N	47 1.8504	31 1.220	18 .709	1 .039	12.7 .500	18.3 .720	4.5 .177	29.6 1.165	44.6 1.756	3.2 .126	1.5 .059	M5 X 0.8 10-32UNF	2,890	1,500
20 ¾	UCS204D1N UCS204-012D1N	47 1.8504	31 1.220	18 .709	1.5 .059	12.7 .500	18.3 .720	4.5 .177	29.6 1.165	44.6 1.756	3.2 .126	1.5 .059	M5 X 0.8 10-32UNF	2,890	1,500
25 1⅜ ⅞ 1⅞ 1	UCS205D1N UCS205-013D1N UCS205-014D1N UCS205-015D1N UCS205-100D1N	52 2.0472	34 1.339	18 .709	1.5 .059	14.3 .563	19.7 .776	5 .197	33.9 1.335	49.73 1.958	3.2 .126	1.5 .059	M5 X 0.8 10-32UNF	3,150	1,760
30 1 ⅞ 1 ⅞ 1 ⅞	UCS206D1N UCS206-101D1N UCS206-102D1N UCS206-103D1N	62 2.4409	38.1 1.500	20 .787	1.5 .059	15.9 .626	22.2 .874	5 .197	40.8 1.606	59.61 2.347	3.5 .138	2.05 .081	M6 X 0.75 ¼-28UNF	4,400	2,540
35 1 ¼ 1 ⅞ 1 ⅞ 1 ⅞	UCS207D1N UCS207-104D1N UCS207-105D1N UCS207-106D1N * UCS207-107D1N	72 2.8346	42.9 1.689	22 .866	2 .079	17.5 .689	25.4 1.000	6 .236	46.8 1.843	68.81 2.709	3.7 .146	2.05 .081	M6 X 0.75 ¼-28UNF	5,750	3,440
40 1 ½ 1 ½	UCS208D1N UCS208-108D1N UCS208-109D1N	80 3.1496	49.2 1.937	24 .945	2 .079	19 .748	30.2 1.189	8 .315	53 2.087	76.81 3.024	3.7 .146	2.05 .081	M8 X 1 ⅝-24UNF	6,550	4,000
45 1 ⅝ 1 ⅞ 1 ¾	UCS209D1N UCS209-110D1N UCS209-111D1N UCS209-112D1N	85 3.3465	49.2 1.937	24 .945	2 .079	19 .748	30.2 1.189	8 .315	57.5 2.264	81.81 3.221	3.7 .146	2.05 .081	M8 X 1 ⅝-24UNF	7,350	4,590
50 1 ⅞ 1 ⅞ 1 ⅞	UCS210D1N UCS210-113D1N UCS210-114D1N UCS210-115D1N	90 3.5433	51.6 2.031	25 .984	2 .079	19 .748	32.6 1.283	9 .354	62.4 2.457	86.79 3.417	4 .157	2.85 .112	M8 X 1 ⅝-24UNF	7,900	5,220
55 2 2 ⅞ 2 ⅞ 2 ⅞	UCS211D1N UCS211-200D1N UCS211-201D1N UCS211-202D1N UCS211-203D1N	100 3.9370	55.6 2.189	27 1.063	2.5 .098	22.2 .874	33.4 1.315	9 .354	69 2.717	96.8 3.811	4.5 .177	2.85 .112	M8 X 1 ⅝-24UNF	9,750	6,560
60 2 ¼ 2 ⅞ 2 ⅞	UCS212D1 UCS212-204D1 UCS212-206D1 * UCS212-207D1	110 4.3307	65.1 2.563	30 1.181	2.5 .098	25.4 1.000	39.7 1.563	10 .394	77 3.031	—	—	—	M10 X 1.25 ¾-24UNF	11,800	8,100
65 2 ½	UCS213D1 UCS213-208D1	120 4.7244	65.1 2.563	32 1.260	2.5 .098	25.4 1.000	39.7 1.563	10 .394	82.5 3.248	—	—	—	M10 X 1.25 ¾-24UNF	12,900	9,000
70	UCS214D1	125	74.6	33	2.5	30.2	44.4	12	87	—	—	—	M10 X 1.25	14,000	9,900
75	UCS215D1	130	77.8	34	2.5	33.3	44.5	12	93	—	—	—	M10 X 1.25	14,900	11,100
80	UCS216D1	140	82.6	35	3	33.3	49.3	12	98.1	—	—	—	M10 X 1.25	16,300	11,900
85	UCS217D1	150	85.7	36	3	34.1	51.6	12	106.1	—	—	—	M12 X 1.5	18,700	14,300
90	UCS218D1	160	96	37	3	39.7	56.3	12	111.6	—	—	—	M12 X 1.5	21,600	16,100



UCS...D1N

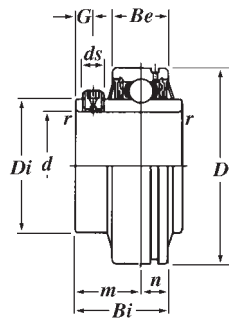


UCS...D1

* Indicates units with notched set screw as standard



Units: Millimeters
INCHES



BALL BEARING INSERTS

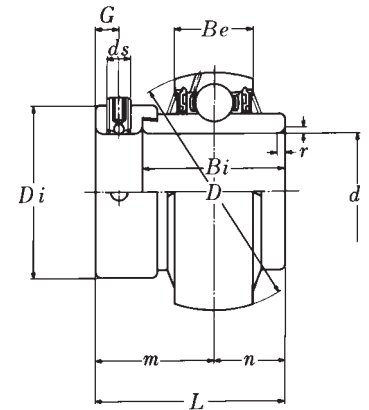
Bore <i>d</i>	Bearing Number	Nominal Dimensions								Socket Set Screw <i>ds</i>	Basic Load Ratings (lbs)	
		<i>D</i>	<i>Bi</i>	<i>Be</i>	<i>r</i>	<i>n</i>	<i>m</i>	<i>G</i>	<i>Di</i>		Dynamic <i>C</i>	Static <i>C₀</i>
25 7/8 1 1/16 1	UCS305D1 UCS305-014D1 UCS305-015D1 UCS305-100D1	62 2.4409	38 1.496	20 .787	2 .079	15 .591	23 .906	6 .236	36.8 1.449	M6 X 0.75 1/4-28UNF	4,770	2,450
30 1 1/8 1 3/16	UCS306D1 UCS306-102D1 UCS306-103D1	72 2.8346	43 1.693	23 .906	2 .079	17 .669	26 1.024	6 .236	44.9 1.768	M6 X 0.75 1/4-28UNF	6,000	3,370
35 1 1/4 1 9/16 1 3/8 1 7/16	UCS307D1 UCS307-104D1 UCS307-105D1 UCS307-106D1 UCS307-107D1	80 3.1496	48 1.890	25 .984	2.5 .098	19 .748	29 1.142	8 .315	49.4 1.945	M8 X 1 5/16-24UNF	7,530	4,290
40 1 1/2	UCS308D1 UCS308-108D1	90 3.5433	52 2.047	27 1.063	2.5 .098	19 .748	33 1.299	10 .394	56 2.205	M10 X 1.25 3/8-24UNF	9,100	5,400
45 1 5/8 1 11/16 1 3/4	UCS309D1 UCS309-110D1 UCS309-111D1 UCS309-112D1	100 3.9370	57 2.244	29 1.142	2.5 .098	22 .866	35 1.378	10 .394	63.5 2.500	M10 X 1.25 3/8-24UNF	11,900	7,200
50 1 7/8 1 15/16	UCS310D1 UCS310-114D1 UCS310-115D1	110 4.3307	61 2.402	32 1.260	3 .118	22 .866	39 1.535	12 .472	70.6 2.780	M12 X 1.5 1/2-20UNF	13,900	8,660
55 2 2 1/8 2 3/16	UCS311D1 UCS311-200D1 UCS311-202D1 UCS311-203D1	120 4.7244	66 2.598	34 1.339	3 .118	25 .984	41 1.614	12 .472	76.6 3.016	M12 X 1.5 1/2-20UNF	16,100	10,100
60 2 1/4 2 3/8 2 7/16	UCS312D1 UCS312-204D1 UCS312-206D1 UCS312-207D1	130 5.1181	71 2.795	36 1.417	3.5 .138	26 1.024	45 1.772	12 .472	82.7 3.256	M12 X 1.5 1/2-20UNF	18,400	11,700
65 2 1/2	UCS313D1 UCS313-208D1	140 5.5118	75 2.953	39 1.535	3.5 .138	30 1.181	45 1.772	12 .472	88.2 3.472	M12 X 1.5 1/2-20UNF	20,800	13,500
70 2 11/16 2 3/4	UCS314D1 UCS314-211D1 UCS314-212D1	150 5.9055	78 3.071	41 1.614	3.5 .138	33 1.299	45 1.772	12 .472	94.8 3.732	M12 X 1.5 1/2-20UNF	23,400	15,300
75 2 5/8 3	UCS315D1 UCS315-215D1 UCS315-300D1	160 6.2992	82 3.228	43 1.693	3.5 .138	32 1.260	50 1.969	14 .551	101.3 3.988	M14 X 1.5 5/16-18UNF	25,400	17,300
80 3 1/8 3 3/16	UCS316D1 UCS316-302D1 UCS316-303D1	170 6.6929	86 3.386	45 1.772	3.5 .138	34 1.339	52 2.047	14 .551	107.9 4.248	M14 X 1.5 5/16-18UNF	27,700	19,400
85 3 1/4	UCS317D1 UCS317-304D1	180 7.0866	96 3.780	47 1.850	4 .157	40 1.575	56 2.205	16 .630	114.4 4.504	M16 X 1.5 5/8-18UNF	29,900	21,800
90 3 7/16 3 1/2	UCS318D1 UCS318-307D1 UCS318-308D1	190 7.4803	96 3.780	49 1.929	4 .157	40 1.575	56 2.205	16 .630	120.9 4.760	M16 X 1.5 5/8-18UNF	32,100	24,100
95 3 3/4	UCS319D1 UCS319-312D1	200 7.8740	103 4.055	51 2.008	4 .157	41 1.614	62 2.441	16 .630	127.5 5.020	M16 X 1.5 5/8-18UNF	34,400	26,800
100 3 15/16 4	UCS320D1 UCS320-315D1 UCS320-400D1	215 8.4646	108 4.252	55 2.165	4 .157	42 1.654	66 2.598	18 .709	135.6 5.339	M18 X 1.5 5/8-18UNF	38,900	31,700
105	UCS321D1	225	112	57	4	44	68	18	142.1	M18 X 1.5	41,400	34,400
110	UCS322D1	240	117	59	4	46	71	18	151.7	M18 X 1.5	46,100	40,200
120	UCS324D1	260	126	63	4	51	75	18	165.2	M18 X 1.5	46,500	41,600
130	UCS326D1	280	135	67	5	54	81	20	178.3	M20 X 1.5	51,500	48,100
140	UCS328D1	300	145	71	5	59	86	20	190.4	M20 X 1.5	56,900	55,300

BALL BEARING INSERTS

Units: **Millimeters**
INCHES



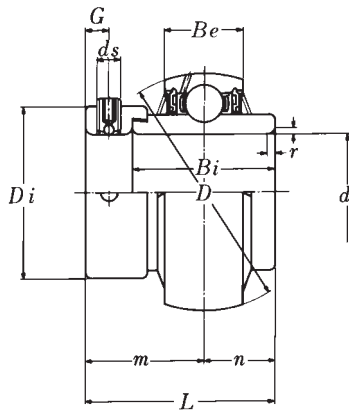
Bore <i>d</i>	Bearing Number	Nominal Dimensions									Socket Set Screw <i>ds</i>	Basic Load Ratings (lbs)	
		<i>D</i>	<i>L</i>	<i>Bi</i>	<i>Be</i>	<i>r</i>	<i>n</i>	<i>m</i>	<i>G</i>	<i>Di</i>		Dynamic <i>C</i>	Static <i>C₀</i>
20 ¾	UEL204D1 UEL204-012D1	47 1.8504	43.7 1.720	34.2 1.346	18 .709	1.5 .059	17.1 .672	26.6 1.047	4.8 .189	33 1.31	M6 X 0.75 ¼-28UNF	2,890	1,500
25 1 3/16 7/8 1 1/8	UEL205D1 UEL205-013D1 UEL205-014D1 UEL205-015D1 UEL205-100D1	52 2.0472	44.4 1.748	34.9 1.374	18 .709	1.5 .059	17.5 .688	26.9 1.059	4.8 .189	38 1.50	M6 X 0.75 ¼-28UNF	3,150	1,760
30 1 1/8 1 1/16 1 3/16 1 1/4	UEL206D1 UEL206-101D1 UEL206-102D1 UEL206-103D1 UEL206-104D1	62 2.4409	48.4 1.906	36.5 1.437	20 .787	1.5 .059	18.3 .719	30.1 1.185	6 .236	44.5 1.75	M8 X 1 5/16-24UNF	4,400	2,540
35 1 1/4 1 5/16 1 3/8 1 7/16	UEL207D1 UEL207-104D1 UEL207-105D1 UEL207-106D1 UEL207-107D1	72 2.8346	51.1 2.012	37.6 1.480	22 .866	2 .079	18.8 .742	32.3 1.272	6.8 .268	55.5 2.19	M10 X 1.25 ¾-24UNF	5,750	3,440
40 1 1/2 1 9/16	UEL208D1 UEL208-108D1 UEL208-109D1	80 3.1496	56.3 2.217	42.8 1.685	24 .945	2 .079	21.4 .844	34.9 1.374	6.8 .268	60 2.37	M10 X 1.25 ¾-24UNF	6,550	4,000
45 1 5/8 1 11/16 1 3/4	UEL209D1 UEL209-110D1 UEL209-111D1 UEL209-112D1	85 3.3465	56.3 2.217	42.8 1.685	24 .945	2 .079	21.4 .844	34.9 1.374	6.8 .268	63.5 2.50	M10 X 1.25 ¾-24UNF	7,350	4,590
50 1 13/16 1 7/8 1 15/16 2	UEL210D1 UEL210-113D1 UEL210-114D1 UEL210-115D1 UEL210-200D1	90 3.5433	62.7 2.469	49.2 1.937	25 .984	2 .079	24.6 .969	38.1 1.500	6.8 .268	69.5 2.74	M10 X 1.25 ¾-24UNF	7,900	5,220
55 2 2 1/16 2 1/8 2 3/16	UEL211D1 UEL211-200D1 UEL211-201D1 UEL211-202D1 UEL211-203D1	100 3.9370	71.4 2.811	55.5 2.185	27 1.063	2.5 .098	27.8 1.094	43.6 1.717	8 .315	76 3.00	M10 X 1.25 ¾-24UNF	9,750	6,560
60 2 1/4 2 3/8 2 7/16	UEL212D1 UEL212-204D1 UEL212-206D1 UEL212-207D1	110 4.3307	77.8 3.063	61.9 2.437	30 1.181	2.5 .098	31 1.219	46.8 1.843	8 .315	84 3.31	M10 X 1.25 ¾-24UNF	11,800	8,100
65 2 1/2	UEL213D1 UEL213-208D1	120 4.7244	85.7 3.374	68.3 2.689	32 1.260	2.5 .098	34.15 1.344	51.55 2.030	8.7 .343	97 3.819	M10 X 1.25 ¾-24UNF	12,900	9,000
70 2 11/16 2 3/4	UEL214D1 UEL214-211D1 UEL214-212D1	125 4.9213	85.7 3.374	68.3 2.689	33 1.299	2.5 .098	34.15 1.344	51.55 2.030	8.7 .343	97 3.819	M10 X 1.25 ¾-24UNF	13,900	9,900
75 2 15/16 3	UEL215D1 UEL215-215D1 UEL215-300D1	130 5.1181	92 3.622	74.6 2.937	34 1.339	2.5 .098	37.3 1.469	54.7 2.154	8.7 .343	102 4.016	M10 X 1.25 ¾-24UNF	14,800	11,100





Units: **Millimeters**
INCHES

BALL BEARING INSERTS



Bore <i>d</i>	Bearing Number	Nominal Dimensions									Socket Set Screw <i>ds</i>	Basic Load Ratings (lbs)	
		<i>D</i>	<i>L</i>	<i>Bi</i>	<i>Be</i>	<i>r</i>	<i>n</i>	<i>m</i>	<i>G</i>	<i>Di</i>		Dynamic <i>C</i>	Static <i>C₀</i>
25 7/8 1 1/16 1	UEL305D1	62	46.8	34.9	20	2	16.7	30.1	6	42.8	M8 X 1 5/16-24UNF	4,770	2,450
	UEL305-014D1	2.4409	1.843	1.374	.787	.079	.657	1.185	.236	1.685			
	UEL305-015D1												
	UEL305-100D1												
30 1 1/8 1 3/16	UEL306D1	72	50	36.5	23	2	17.5	32.5	6.7	50	M8 X 1 5/16-24UNF	6,000	3,370
	UEL306-102D1	2.8346	1.969	1.437	.906	.079	.689	1.280	.264	1.969			
	UEL306-103D1												
35 1 1/4 1 5/16 1 3/8 1 7/16	UEL307D1	80	51.6	38.1	25	2.5	18.3	33.3	6.7	55	M8 X 1 5/16-24UNF	7,530	4,290
	UEL307-104D1	3.1496	2.031	1.500	.984	.098	.720	1.311	.264	2.165			
	UEL307-105D1												
	UEL307-106D1												
40 1 1/2	UEL308D1	90	57.1	41.3	27	2.5	19.8	37.3	8	63.5	M10 X 1.25 3/8-24UNF	9,100	5,400
	UEL308-108D1	3.5433	2.248	1.626	1.063	.098	.780	1.469	.315	2.500			
45 1 5/8 1 11/16 1 3/4	UEL309D1	100	58.7	42.9	29	2.5	19.8	38.9	8	70	M10 X 1.25 3/8-24UNF	11,900	7,200
	UEL309-110D1	3.9370	2.311	1.689	1.142	.098	.780	1.531	.315	2.756			
	UEL309-111D1												
50 1 7/8 1 15/16	UEL310D1	110	66.6	49.2	32	3	24.6	42	8.7	76.2	M10 X 1.25 3/8-24UNF	13,900	8,660
	UEL310-114D1	4.3307	2.622	1.937	1.260	.118	.969	1.654	.343	3.000			
	UEL310-115D1												
55 2 2 1/8 2 3/16	UEL311D1	120	73	55.6	34	3	27.8	45.2	8.7	83	M10 X 1.25 3/8-24UNF	16,100	10,100
	UEL311-200D1	4.7244	2.874	2.189	1.339	.118	1.094	1.780	.343	3.268			
	UEL311-202D1												
60 2 1/4 2 3/8 2 7/16	UEL312D1	130	79.4	61.9	36	3.5	30.95	48.45	8.7	89	M10 X 1.25 3/8-24UNF	18,400	11,700
	UEL312-204D1	5.1181	3.126	2.437	1.417	.138	1.219	1.907	.343	3.504			
	UEL312-206D1												
	UEL312-207D1												
65 2 1/2	UEL313D1	140	85.7	65.1	39	3.5	32.55	53.15	10.3	97	M12 X 1.5 1/2-20UNF	20,800	13,500
	UEL313-208D1	5.5118	3.374	2.563	1.535	.138	1.281	2.093	.406	3.819			
70 2 11/16 2 3/4	UEL314D1	150	92.1	68.3	41	3.5	34.15	57.95	10.3	102	M12 X 1.5 1/2-20UNF	23,400	15,300
	UEL314-211D1	5.9055	3.626	2.689	1.614	.138	1.344	2.281	.406	4.016			
	UEL314-212D1												
75 2 15/16 3	UEL315D1	160	100	74.6	43	3.5	37.3	62.7	12.7	113	M16 X 1.5 5/8-18UNF	25,400	17,300
	UEL315-215D1	6.2992	3.937	2.937	1.693	.138	1.469	2.469	.500	4.449			
	UEL315-300D1												
80 3 1/8 3 3/16	UEL316D1	170	106.4	81	45	3.5	40.5	65.9	12.7	119	M16 X 1.5 5/8-18UNF	27,700	19,400
	UEL316-302D1	6.6929	4.189	3.189	1.772	.138	1.594	2.594	.500	4.685			
	UEL316-303D1												
85 3 1/4	UEL317D1	180	109.5	84.1	47	4	42.05	67.45	12.7	127	M16 X 1.5 5/8-18UNF	29,900	21,800
	UEL317-304D1	7.0866	4.311	3.311	1.850	.157	1.656	2.656	.500	5.000			
90 3 7/16 3 1/2	UEL318D1	190	115.9	87.3	49	4	43.65	72.25	14.3	133	M20 X 1.5 3/4-16UNF	32,100	24,100
	UEL318-307D1	7.4803	4.563	3.437	1.929	.157	1.719	2.844	.563	5.236			
	UEL318-308D1												
95 3 3/4	UEL319D1	200	122.3	93.7	51	4	38.9	83.4	14.3	140	M20 X 1.5 3/4-16UNF	34,400	26,800
	UEL319-312D1	7.8740	4.815	3.689	2.008	.157	1.531	3.283	.563	5.512			
100 3 15/16 4	UEL320D1	215	128.6	100	55	4	50	78.6	14.3	146	M20 X 1.5 3/4-16UNF	38,900	31,700
	UEL320-315D1	8.4646	5.063	3.937	2.165	.157	1.969	3.094	.563	5.748			
	UEL320-400D1												
105	UEL321D1	225	139.7	104.8	57	4	48.4	91.3	17.5	157	M20 X 1.5	41,400	34,400
110	UEL322D1	240	141.3	106.4	59	4	49.2	92.1	17.5	168	M20 X 1.5	46,100	40,200

Bearing Series → **AS2 SERIES**

AS20122

Bearing Number

Weight (lbs)



BALL BEARING INSERTS

AS2 SERIES		
AS20122	
AS201-00822	
AS20220	
AS202-00921	
AS202-01020	
AS20318	
AS203-01118	
AS20429	
AS204-01229	
AS20535	
AS205-01342	
AS205-01440	
AS205-01538	
AS205-10035	
AS20655	
AS206-10161	
AS206-10259	
AS206-10357	
AS206-10455	
AS20782	
AS207-104	1.06	
AS207-10593	
AS207-10681	
AS207-10769	
AS208	1.10	
AS208-108	1.15	
AS208-109	1.06	
ASS2 SERIES		
ASS201N26	
ASS201-008N22	
ASS202N24	
ASS202-009N21	
ASS202-010N20	
ASS203N22	
ASS203-011N18	
ASS204N37	
ASS204-012N29	
ASS205N44	
ASS205-013N42	
ASS205-014N40	
ASS205-015N38	
ASS205-100N35	
ASS206N68	
ASS206-101N61	
ASS206-102N59	
ASS206-103N57	
ASS206-104N55	
ASS207N	1.08	
ASS207-104N	1.06	
ASS207-105N93	
ASS207-106N81	
ASS207-107N69	
ASS208N	1.10	
ASS208-108N	1.15	
ASS208-109N	1.06	
AEL2 SERIES		
AEL20126	
AEL201-00826	
AEL20224	
AEL202-00926	
AEL202-01024	
AEL20322	
AEL203-01123	
AEL20437	
AEL204-01235	
AEL20544	
AEL205-01351	
AEL205-01448	
AEL205-01545	
AEL205-10041	
AEL20671	
AEL206-10178	
AEL206-10273	
AEL206-10369	
AEL206-10464	
AEL207	1.10	
AEL207-104	1.22	
AEL207-105	1.16	
AEL207-106	1.11	
AEL207-107	1.05	
AEL208	1.43	
AEL208-108	1.53	
AEL208-109	1.46	
AEL205-10042	
AEL20668	
AEL206-10174	
AEL206-10273	
AEL206-10366	
AEL206-10461	
AEL207	1.08	
AEL207-104	1.15	
AEL207-105	1.10	
AEL207-106	1.04	
AEL207-10798	
AEL208	1.46	
AEL208-108	1.41	
AEL208-109	1.34	
AELS2 SERIES		
AELS201N26	
AELS201-008N26	
AELS202N24	
AELS202-009N26	
AELS202-010N24	
AELS203N22	
AELS203-011N23	
AELS204N37	
AELS204-012N35	
AELS205N44	
AELS205-013N51	
AELS205-014N48	
AELS205-015N45	
AELS205-100N42	
AELS206N68	
AELS206-101N74	
AELS206-102N73	
AELS206-103N66	
AELS206-104N61	
AELS207N	1.08	
AELS207-104N	1.15	
AELS207-105N	1.10	
AELS207-106N	1.04	
AELS207-107N98	
AELS208N	1.46	
AELS208-108N	1.41	
AELS208-109N	1.34	
JEL2 SERIES		
JEL20126	
JEL201-00825	
JEL20222	
JEL202-00924	
JEL202-01022	
JEL20320	
JEL203-01120	
JEL20435	
JEL204-01237	
JEL20542	
JEL205-01350	
JEL205-01447	
JEL205-01544	
JEL205-10041	
JEL20671	
JEL206-10178	
JEL206-10273	
JEL206-10369	
JEL206-10464	
JEL207	1.10	
JEL207-104	1.22	
JEL207-105	1.16	
JEL207-106	1.11	
JEL207-107	1.05	
JEL208	1.43	
JEL208-108	1.53	
JEL208-109	1.46	
JEL209	1.69	
JEL209-110	1.87	
JEL209-111	1.79	
JEL209-112	1.72	
JEL210	1.86	
JEL210-114	1.99	
JEL210-115	1.91	
JEL211	2.51	
JEL211-200	2.78	
JEL211-203	2.47	
JEL212	3.48	
JEL212-204	3.70	
AR SERIES		
AR20123	
AR201-00822	
AR20221	
AR202-00921	
AR202-01020	
AR20319	
AR203-01119	
AR20431	
AR204-01233	
AR20535	
AR205-01342	
AR205-01440	
AR205-01538	
AR205-10033	
AR20660	
AR206-10166	
AR206-10264	
AR206-10360	
AR206-10455	
AR20788	
AR207-10499	
AR207-10593	
AR207-10688	
AR207-10784	
AR208	1.24	
AR208-108	1.32	
AR208-109	1.26	
AR209	1.35	
AR209-110	1.52	
AR209-111	1.46	
AR209-112	1.37	
AR210	1.48	
AR210-113	1.70	
AR210-114	1.61	
AR210-115	1.52	
AR210-200	1.43	
UR SERIES		
UR20144	
UR201-00844	
UR20240	
UR202-00940	
UR202-01038	
UR20338	
UR203-01138	
UR20433	
UR204-01235	
UR20542	
UR205-01351	
UR205-01449	
UR205-01544	
UR205-10042	
UR20668	
UR206-10177	
UR206-10273	
UR206-10368	
UR206-10462	
UR20799	
UR207-104	1.13	
UR207-105	1.06	
UR207-10699	
UR207-10793	
UR208	1.41	
UR208-108	1.50	
UR208-109	1.43	
UR209	1.50	
UR209-110	1.72	
UR209-111	1.63	
UR209-112	1.52	
UR210	1.68	
UR210-113	1.94	
UR210-114	1.83	
UR210-115	1.72	
UR210-200	1.61	
UR211	2.27	
UR211-200	2.60	
UR211-201	2.49	
UR211-202	2.36	
UR211-203	2.23	
UR212	3.29	
UR212-204	3.57	
UR212-205	3.42	
UR212-206	3.24	
UR212-207	3.09	
REL SERIES		
REL20435	
REL204-01238	
REL20540	
REL205-01349	
REL205-01446	
REL205-01542	
REL205-10038	
REL20666	
REL206-10175	
REL206-10271	
REL206-10366	
REL206-10460	
REL20793	
REL207-104	1.04	
REL207-10599	
REL207-10693	
REL207-10788	
REL208	1.28	
REL208-108	1.37	
REL208-109	1.30	
REL209	1.37	
REL209-110	1.54	
REL209-111	1.54	
REL209-112	1.39	
REL210	1.61	
REL210-113	1.85	
REL210-114	1.76	
REL210-115	1.65	
REL210-200	1.57	
REL211	2.25	
REL211-200	2.58	
REL211-201	2.47	
REL211-202	2.34	
REL211-203	2.21	
REL212	3.13	
REL212-204	3.42	
REL212-205	3.26	
REL212-206	3.11	
REL212-207	2.93	



Bearing Series → **AS2 SERIES**

AS20122 ←

Bearing Number

Weight (lbs)

BALL BEARING INSERTS

UC2 SERIES	UCX07-105D11.87	UC312-204D15.73	UCS212-206D13.45
UC201D146	UCX07-106D11.81	UC312-206D15.73	UCS212-207D13.29
UC201-008D146	UCX07-107D11.74	UC312-207D15.73	UCS213D14.23
UC202D144	UCX08D12.05	UC313D17.17	UCS213-208D14.41
UC202-009D144	UCX08-108D12.16	UC313-208D17.17	UCS214D14.78
UC202-010D142	UCX08-109D12.07	UC314D18.58	UCS215D15.36
UC203D140	UCX09D12.21	UC314-211D18.58	UCS216D16.37
UC203-011D139	UCX09-110D12.43	UC314-212D18.58	UCS217D17.65
UC204D137	UCX09-111D12.34	UC315D110.4	UCS218D19.83
UC204-012D139	UCX09-112D12.25	UC315-215D110.4	
UC205D144	UCX10D12.98	UC315-300D110.4	UCS3 SERIES
UC205-013D153	UCX10-114D13.15	UC316D112.2	UCS305D182
UC205-014D151	UCX10-115D13.04	UC316-302D112.2	UCS305-014D190
UC205-015D146	UCX11D14.19	UC316-303D112.2	UCS305-015D183
UC205-100D144	UCX11-201D14.43	UC317D114.7	UCS305-100D181
UC206D173	UCX11-202D14.30	UC317-304D114.7	UCS306D11.28
UC206-101D182	UCX11-203D14.12	UC318D116.7	UCS306-102D11.33
UC206-102D177	UCX12D15.01	UC318-307D116.7	UCS306-103D11.28
UC206-103D173	UCX12-206D14.96	UC318-308D116.7	UCS307D11.63
UC206-104D166	UCX12-207D14.81	UC319D119.2	UCS307-104D11.77
UC207D11.08	UCX13D15.40	UC319-312D119.2	UCS307-105D11.70
UC207-104D11.21	UCX13-208D15.60	UC320D123.8	UCS307-106D11.64
UC207-105D11.15	UCX13-209D15.38	UC320-315D123.8	UCS307-107D11.57
UC207-106D11.08	UCX14D15.45	UC320-400D123.4	UCS308D12.21
UC207-107D11.01	UCX14-210D15.93	UC321D126.9	UCS308-108D12.32
UC208D11.43	UCX14-211D15.69	UC322D131.5	UCS309D12.93
UC208-108D11.52	UCX14-212D15.47	UC324D140.8	UCS309-110D13.17
UC208-109D11.46	UCX15D16.86	UC326D150.7	UCS309-111D13.09
UC209D11.54	UCX15-213D17.43	UC328D162.8	UCS309-112D12.98
UC209-110D11.76	UCX15-214D17.19		UCS310D13.79
UC209-111D11.68	UCX15-215D16.92	UCS2 SERIES	UCS310-114D13.99
UC209-112D11.57	UCX15-300D16.66	UCS201D1N46	UCS310-115D13.85
UC210D11.76	UCX16D18.36	UCS201-008D1N46	UCS311D14.74
UC210-113D12.03	UCX16-302D18.47	UCS202D1N44	UCS311-200D15.14
UC210-114D11.92	UCX16-303D18.18	UCS202-009D1N44	UCS311-202D14.85
UC210-115D11.81	UCX17D110.6	UCS202-010D1N42	UCS311-203D14.68
UC210-200D11.69	UCX17-305D110.8	UCS203D1N40	UCS312D15.95
UC211D12.38	UCX17-307D110.1	UCS203-011D1N39	UCS312-204D16.27
UC211-200D12.71	UCX18D112.2	UCS204D1N37	UCS312-206D15.89
UC211-201D12.60	UCX18-308D112.4	UCS204-012D1N39	UCS312-207D15.72
UC211-202D12.46	UCX20D119.7	UCS205D1N44	UCS313D17.43
UC211-203D12.34	UCX20-314D118.4	UCS205-013D1N53	UCS313-208D17.63
UC212D13.37	UCX20-315D119.7	UCS205-014D1N51	UCS314D18.89
UC212-204D13.66	UCX20-400D119.2	UCS205-015D1N46	UCS314-211D19.13
UC212-206D13.33		UCS205-100D1N44	UCS314-212D18.91
UC212-207D13.17	UC3 SERIES	UCS206D1N73	UCS315D110.8
UC213D14.08	UC305D177	UCS206-101D1N82	UCS315-215D110.9
UC213-208D14.26	UC305-014D177	UCS206-102D1N77	UCS315-300D110.6
UC214D14.63	UC305-015D177	UCS206-103D1N73	UCS316D112.7
UC214-211D14.87	UC305-100D177	UCS207D1N1.08	UCS316-302D112.7
UC214-212D14.65	UC306D11.23	UCS207-104D1N1.21	UCS316-303D112.5
UC215D15.18	UC306-102D11.23	UCS207-105D1N1.15	UCS317D115.2
UC215-215D15.25	UC306-103D11.23	UCS207-106D1N1.08	UCS317-304D115.7
UC215-300D14.98	UC307D11.57	UCS207-107D1N1.01	UCS318D117.2
UC216D16.17	UC307-104D11.57	UCS208D1N1.43	UCS318-307D117.8
UC216-302D16.28	UC307-105D11.57	UCS208-108D1N1.52	UCS318-308D117.4
UC217D17.43	UC307-106D11.57	UCS208-109D1N1.46	UCS319D119.8
UC217-304D17.92	UC307-107D11.57	UCS209D1N1.54	UCS319-312D119.7
UC218D19.61	UC308D12.12	UCS209-110D1N1.76	UCS320D124.5
UC218-308D19.88	UC308-108D12.12	UCS209-111D1N1.68	UCS320-315D124.5
	UC309D12.82	UCS209-112D1N1.57	UCS320-400D124.1
	UC309-110D12.82	UCS210D1N1.76	UCS321D127.8
	UC309-111D12.82	UCS210-113D1N2.03	UCS322D132.4
	UC309-112D12.82	UCS210-114D1N1.92	UCS324D141.9
	UC310D13.64	UCS210-115D1N1.81	UCS326D152.0
	UC310-114D13.64	UCS211D1N2.38	UCS328D164.4
	UC310-115D13.64	UCS211-200D1N2.71	
	UC311D14.56	UCS211-201D1N2.60	
	UC311-200D14.56	UCS211-202D1N2.46	
	UC311-202D14.56	UCS211-203D1N2.34	
	UC311-203D14.56	UCS212D13.51	
	UC312D15.73	UCS212-204D13.78	
UCX SERIES			
UCX05D186			
UCX05-013D197			
UCX05-014D193			
UCX05-015D188			
UCX05-100D184			
UCX06D11.50			
UCX06-101D11.61			
UCX06-102D11.54			
UCX06-103D11.50			
UCX07D121.81			

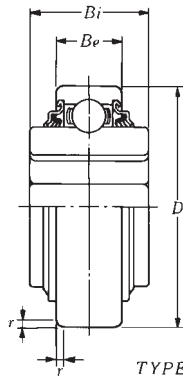
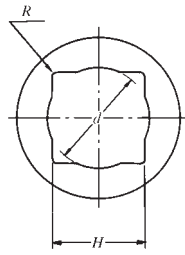
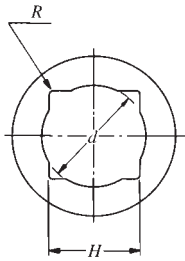


BALL BEARING INSERTS

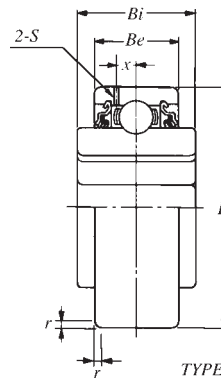
UEL2 SERIES				UEL3 SERIES			
UEL204D151	UEL210-114D1	2.36	UEL305D195	UEL312-204D1	6.80
UEL204-012D145	UEL210-115D1	2.25	UEL305-014D1	1.05	UEL312-206D1	6.48
UEL205D160	UEL210-200D1	2.09	UEL305-015D1	1.01	UEL312-207D1	6.19
UEL205-013D161	UEL211D1	2.91	UEL305-100D196	UEL313D1	8.09
UEL205-014D158	UEL211-200D1	3.28	UEL306D1	1.52	UEL313-208D1	8.49
UEL205-015D155	UEL211-201D1	3.12	UEL306-102D1	1.51	UEL314D1	9.70
UEL205-100D151	UEL211-202D1	3.02	UEL306-103D1	1.45	UEL314-211D1	10.2
UEL206D199	UEL211-203D1	2.90	UEL307D1	1.76	UEL314-212D1	9.96
UEL206-101D194	UEL212D1	4.12	UEL307-104D1	1.92	UEL315D1	11.8
UEL206-102D189	UEL212-204D1	4.38	UEL307-105D1	1.84	UEL315-215D1	12.7
UEL206-103D184	UEL212-206D1	4.05	UEL307-106D1	1.77	UEL315-300D1	12.5
UEL206-104D180	UEL212-207D1	3.88	UEL307-107D1	1.69	UEL316D1	14.8
UEL207D1	1.32			UEL307-107D1	1.69	UEL316-302D1	14.6
UEL207-104D1	1.45			UEL308D1	2.38	UEL316-303D1	14.9
UEL207-105D1	1.40			UEL308-108D1	2.58	UEL317D1	17.6
UEL207-106D1	1.35			UEL309D1	3.20	UEL317-304D1	17.7
UEL207-107D1	1.28			UEL309-110D1	3.36	UEL318D1	20.1
UEL208D1	1.74			UEL309-111D1	3.26	UEL318-307D1	20.7
UEL208-108D1	1.90			UEL309-112D1	3.15	UEL318-308D1	20.2
UEL208-109D1	1.82			UEL310D1	4.10	UEL319D1	22.9
UEL209D1	1.87			UEL310-114D1	4.29	UEL319-312D1	22.6
UEL209-110D1	2.05			UEL310-115D1	4.15	UEL320D1	28.7
UEL209-111D1	1.97			UEL311D1	5.16	UEL320-315D1	27.6
UEL209-112D1	1.88			UEL311-200D1	5.58	UEL320-400D1	27.0
UEL210D1	2.16			UEL311-202D1	5.25	UEL321D1	32.2
UEL210-113D1	2.46			UEL311-203D1	5.08	UEL322D1	37.9
				UEL312D1	6.48		



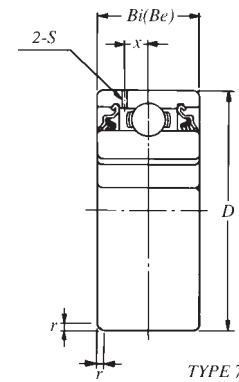
Units: INCHES



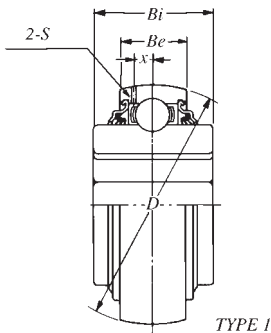
TYPE 5



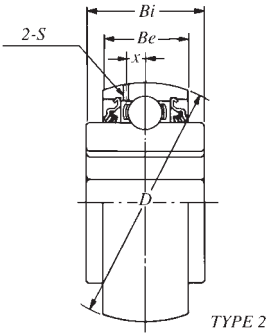
TYPE 6



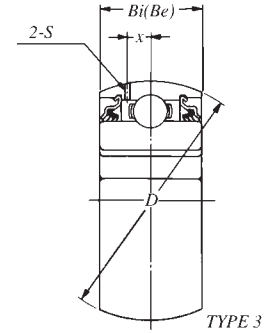
TYPE 7



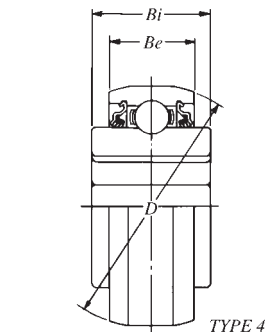
TYPE 1



TYPE 2



TYPE 3

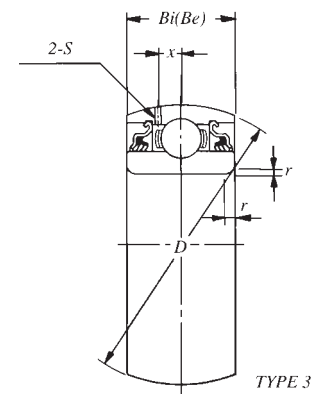
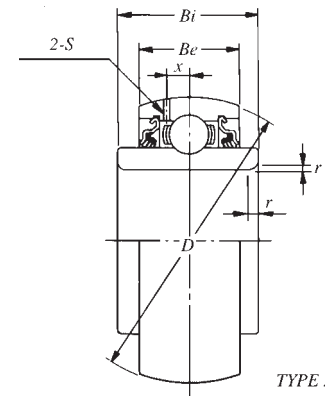
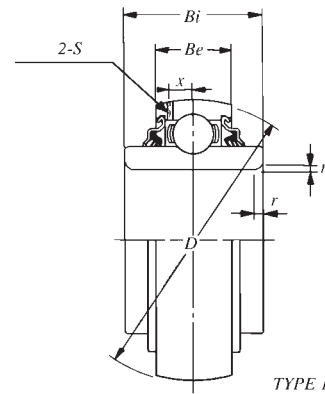
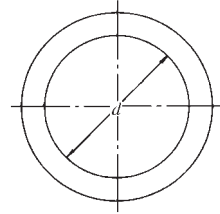
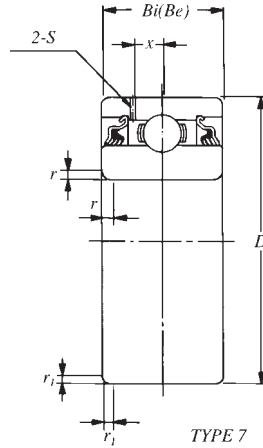
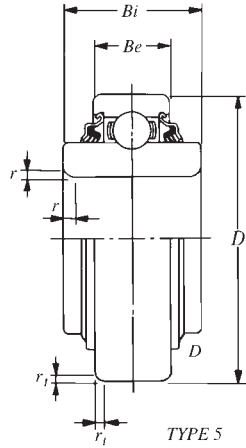
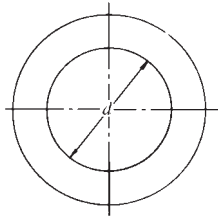


TYPE 4

DISC HARROW BEARINGS

Bearing No.	Type	Shaft Size	Sq. Bore Dim. ±.005 H	Max. d	Max. R	Outside Diameter D	Ring Widths ¹		r	s	x	Basic Load Ratings (lbs)		Weight (lbs)
							Be	Bi				Dynamic C	Static C ₀	
4AS08-7/8	4	7/8	.9050	.961	.089	3.4385/3.4375	1.189	1.437	—	—	—	6,500	4,000	2.02
1AS08-1	1	1	1.0300	1.094	.089	3.1496/3.1491	.709	1.437	—	—	—	6,500	4,000	1.38
2AS08-1	2	1	1.0300	1.094	.089	3.1496/3.1491	1.189	1.437	—	—	—	6,500	4,000	1.68
4AS08-1	4	1	1.0300	1.094	.089	3.4385/3.4375	1.189	1.437	—	—	—	6,500	4,000	1.94
1AS08-1 1/8	1	1 1/8	1.1800	1.236	.089	3.1496/3.1491	.709	1.437	—	—	—	6,500	4,000	1.27
2AS08-1 1/8	2	1 1/8	1.1800	1.236	.089	3.1496/3.1491	1.189	1.437	—	—	—	6,500	4,000	1.57
2AS08-1 1/8 D1	2	1 1/8	1.1800	1.236	.089	3.1496/3.1491	1.189	1.437	—	.087	.260	6,500	4,000	1.57
4AS08-1 1/8	4	1 1/8	1.1800	1.236	.089	3.4385/3.4375	1.189	1.437	—	—	—	6,500	4,000	1.83
1AS08-1 5/16 D1	1	1 5/16	1.1811	1.252	.089	3.1496/3.1491	.827	1.437	—	.087	.260	6,500	4,000	1.27
2AS09-1 1/4 D1	2	1 1/4	1.2900	1.370	.089	3.3465/3.3459	1.189	1.437	—	.087	.264	7,350	4,600	1.75
4AS09-1 1/4	4	1 1/4	1.2900	1.370	.089	3.4424/3.4346	1.189	1.437	—	—	—	7,350	4,600	1.81
2AS10-1 1/8	2	1 1/8	1.1800	1.236	.089	3.5433/3.5427	1.189	1.437	—	—	—	7,900	5,200	2.13
3AS10-1 1/8	3	1 1/8	1.1800	1.236	.089	3.5433/3.5427	1.189	1.189	—	—	—	7,900	5,200	1.90
1AS11-1 1/2 D1	1	1 1/2	1.5311	1.622	.089	3.9370-3.9364	.984	1.750	—	.098	.299	9,750	6,550	2.56
3AS11-1 1/2	3	1 1/2	1.5311	1.622	.089	3.9370-3.9364	1.311	1.311	—	—	—	9,750	6,550	2.40
3AS11-1 1/2 D1	3	1 1/2	1.5311	1.622	.089	3.9370-3.9364	1.311	1.311	—	.098	.299	9,750	6,550	2.40
4AS11-1 1/2	4	1 1/2	1.5311	1.622	.089	4.1250/4.1200	1.437	1.750	—	—	—	9,750	6,550	3.20
3AS14-2 D1	3	2	2.0551	2.161	.157	4.9213/4.9205	1.563	1.563	—	.118	.370	14,000	9,900	4.30
5AS08-1 1/8	5	1 1/8	1.1800	1.236	.089	3.1496/3.1491	.709	1.437	.079	—	—	6,550	4,000	1.27
6AS08-1 1/8 D1	6	1 1/8	1.1800	1.236	.089	3.1496/3.1491	1.189	1.437	.079	.087	.264	6,550	4,000	1.57
6AS09-1 1/4	6	1 1/4	1.2900	1.370	.089	3.3460/3.3450	1.189	1.437	.079	—	—	7,350	4,600	1.75
6AS09-1 1/4 D1	6	1 1/4	1.2900	1.370	.089	3.3460/3.3450	1.189	1.437	.079	.087	.260	7,350	4,600	1.75
7AS10-1 1/8 D1	7	1 1/8	1.1800	1.236	.089	3.5433/3.5427	1.189	1.189	.079	0.87	.264	7,900	5,200	1.90
6AS11-1 1/2 V1	6	1 1/2	1.5311	1.622	.089	4.0000/3.9990	1.437	1.750	.098	—	—	9,750	6,550	3.06
7AS11-1 1/2	7	1 1/2	1.5311	1.622	.089	3.9370/3.9364	1.311	1.311	.098	—	—	9,750	6,550	2.40
7AS11-1 1/2 D1	7	1 1/2	1.5311	1.622	.089	3.9370/3.9364	1.311	1.311	.098	.098	.299	9,750	6,550	2.40

¹ Ring width tolerances are:
 Sizes up to and including AS110 +.000 to -.005
 AS11 through A14, +.000 to -.006

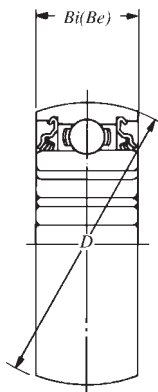
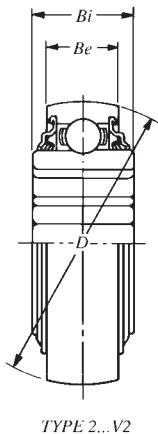
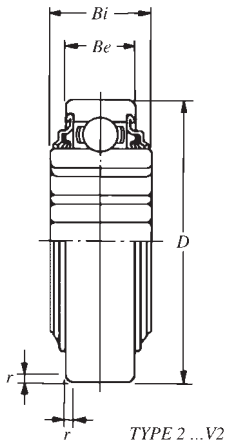
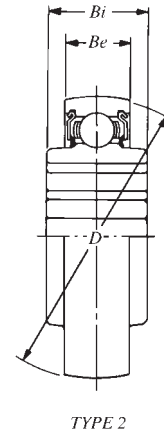
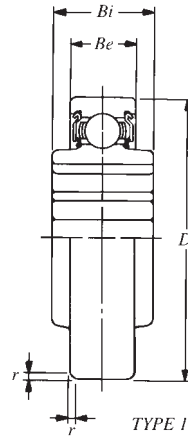
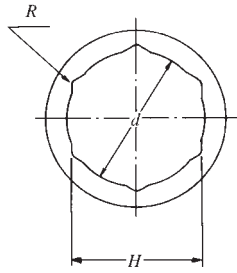


DISC HARROW BEARINGS

Bearing No.	Type	Bore <i>d</i>	Outside Diameter <i>D</i>	Ring Widths		<i>r</i>	<i>r</i> ₁	<i>s</i>	<i>x</i>	Basic Load Ratings (lbs)		Weight (lbs)
				<i>Be</i>	<i>Bi</i>					Dynamic <i>C</i>	Static <i>C</i> ₀	
1AC08-1 3/16	1	1.1880/1.1875	3.1496/3.1491	.709	1.189	.079	—	—	—	6,550	4,000	1.22
2AC08-1 1/2D1	2	1.5005/1.5000	3.1496/3.1491	1.189	1.689	.079	—	.087	.260	6,550	4,000	1.60
1AC09D1V1	1	1.7776/1.7717	3.3465/3.3459	.866	1.437	.079	—	.087	.264	7,350	4,600	1.30
3AC09	3	1.7717/1.7712	3.3465/3.3459	1.189	1.189	.079	—	—	—	7,350	4,600	1.44
3AC09D1	3	1.7717/1.7712	3.3465/3.3459	1.189	1.189	.079	—	.087	.284	7,350	4,600	1.44
3AC09-1 1/2	3	1.5350/1.5250	3.3465/3.3459	1.189	1.189	.079	—	—	—	7,350	4,600	1.58
3AC09-1 1/2D1	3	1.5350/1.5250	3.3465/3.3459	1.189	1.189	.079	—	.087	.264	7,350	4,600	1.58
3AC10-1 3/4	3	1.7850/1.7750	3.5433/3.5427	1.189	1.189	.079	—	—	—	7,900	5,200	1.68
3AC10-1 3/4D1	3	1.7850/1.7750	3.5433/3.5427	1.189	1.189	.079	—	.087	.264	7,900	5,200	1.68
3AC10-1 1 5/16	3	1.9380/1.9375	3.5433/3.5427	1.189	1.189	.079	—	—	—	7,900	5,200	1.57
3AC10-1 1 5/16D1	3	1.9380/1.9375	3.5433/3.5427	1.189	1.189	.079	—	.087	.264	7,900	5,200	1.57
1AC11-2 3/16D1V1	1	2.1939/2.1880	3.9370/3.9364	.984	1.563	.098	—	.098	.299	9,750	6,550	1.92
3AC11-2 3/16	3	2.1880/2.1874	3.9370/3.9364	1.311	1.311	.098	—	—	—	9,750	6,550	2.11
3AC11-2 3/16D1	3	2.1880/2.1874	3.9370/3.9364	1.311	1.311	.098	—	.098	.299	9,750	6,550	2.11
3AC14D1	3	2.7559/2.7553	4.9213/4.9205	1.563	1.563	.098	—	.118	.370	14,000	9,900	3.44
5AC10-1 1 5/16	5	1.9380/1.9375	3.5433/3.5427	.787	1.937	.079	.079	—	—	7,900	5,200	1.62
7AC10-1 1 5/16	7	1.9380/1.9375	3.5433/3.5427	1.189	1.189	.079	.079	—	—	7,900	5,200	1.57
7AC11-2 3/16D1	7	2.1880/2.1874	3.9370/3.9364	1.311	1.311	.098	.098	.098	.299	9,750	6,550	2.11



Units: INCHES



HEX BORE BEARINGS

Bearing No.	Type	Shaft Size	Hex Bore +.005 -.000 H	Max. d	Max. R	Outside Diameter D	Ring Widths ±.005		r	Basic Load Ratings (lbs)		Weight (lbs)
							Be	Bi		Dynamic C	Static C _o	
1AH04-1 1/16	1	1 1/16	.695	.713	.010	1.8504/1.8499	.551	.827	.059	2,890	1,500	.289
1AH05-7/8	1	7/8	.876	.898	.010	2.0472/2.0467	.591	1.000	.059	3,150	1,770	.379
2AH05-7/8	2	7/8	.876	.898	.010	2.0472/2.0467	.591	1.000	—	3,150	1,770	.379
1AH06-1	1	1	1.001	1.028	.010	2.4409/2.4404	.630	.945	.059	4,400	2,540	.558
2AH06-1	2	1	1.001	1.028	.010	2.4409/2.4404	.630	.945	—	4,400	2,540	.558
2AH07-1 1/8	2	1 1/8	1.126	1.154	.010	2.8346/2.8341	.669	1.484	—	5,750	3,450	1.02
2AH08-1 1/4V2	2	1 1/4	1.260	1.287	.010	3.1496/3.1491	.709	1.437	—	6,550	4,000	1.28
2AH09-1 1/2	2	1 1/2	1.501	1.535	.010	3.3465/3.3459	.748	1.181	—	7,350	4,600	1.22
3AH10-1 3/8V2	3	1 3/8	1.626	1.665	.010	3.5433/3.5427	1.189	1.189	—	7,900	5,200	1.63