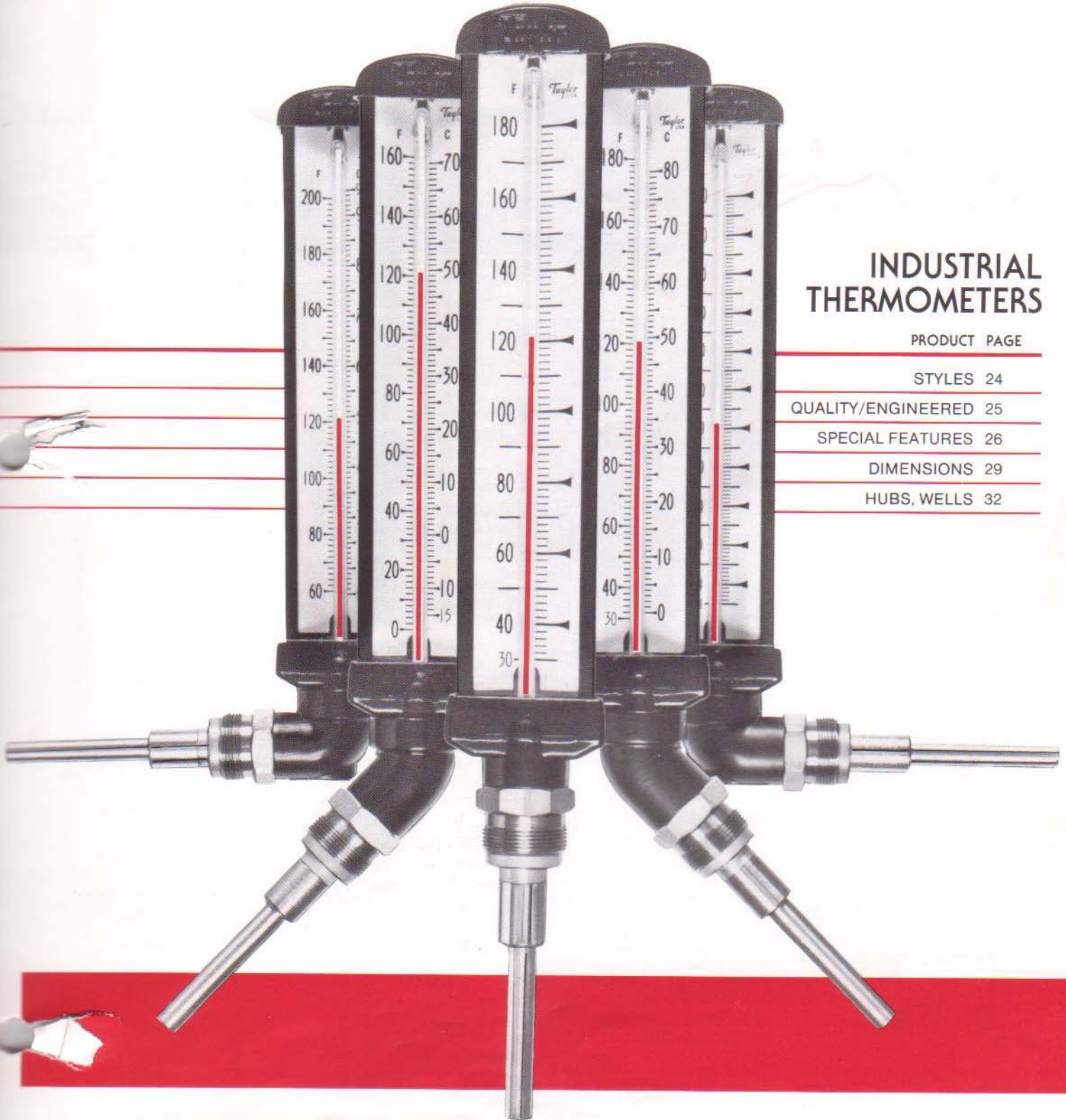


Taylor®

A6000

CATALOG



INDUSTRIAL THERMOMETERS

PRODUCT PAGE

STYLES 24

QUALITY/ENGINEERED 25

SPECIAL FEATURES 26

DIMENSIONS 29

HUBS, WELLS 32

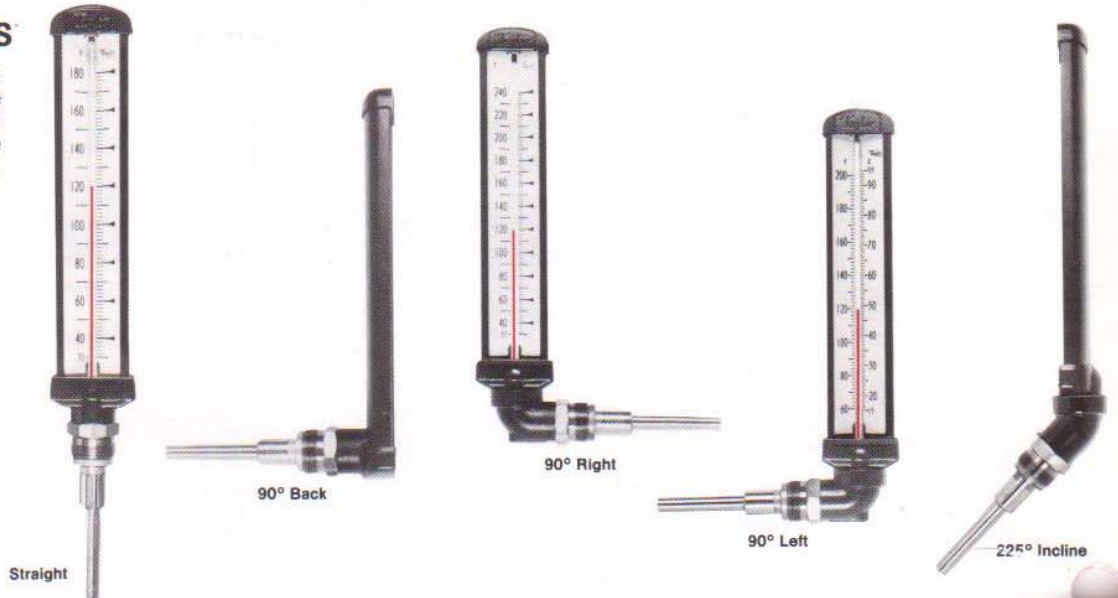
TAYLOR Industrial Thermometer Overview

These pages illustrate available thermometer configurations and the method of building model numbers for specific requirements.

REFER TO SECTION #	1	2	3	4	5	6	7
Code Description	Special Feature	Type & Style	Scale Length	Crystal	Stem Length	Connection	Temp. Range
Sample Model No.	10	EU	7	2	03	J	003

1. SPECIAL FEATURES

Choose special feature code for a desired special feature from those listed on page 20 of the A6000 price list. The special feature code may be omitted if none are required.



2. TYPE & STYLE

Standard Industrial "E" Series
Refrigeration "R" Series
Air Duct & Klin "D" Series
Handle Top "A" Series

	STRAIGHT	90° BACK ANGLE	90° RIGHT SIDE	90° LEFT SIDE	225° INCLINE
Standard Industrial "E" Series	EU	EB	ER	EL	EE
Refrigeration "R" Series	RU	RB	RR	RL	RE
Air Duct & Klin "D" Series	DU	DB	DR	DL	DE
Handle Top "A" Series	—	—	—	—	—

5. STEM CODE

LENGTH

01**	03	04**	06	08	09	10#	12	14#	18	24	36	48
1"	3½"	4⅝" 2¼" imm.	6"	8"	9"	10"	12"	14"	18"	24"	36"	48"

7. RANGES

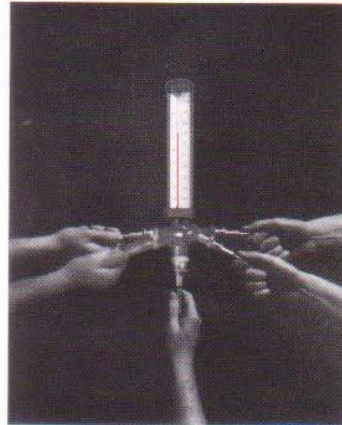
CODE	001	003	005	007	008	010	012	014	015
RANGE F	-40° to 110°	0° to 110°	30° to 120°	30° to 180°	30° to 240°	30° to 300°	50° to 400°	100° to 550°	200° to 500°
RANGE C	-40° to 40°	-15° to 40°	0° to 50°			0° to 150°		40° to 290°	90° to 250°
9" Divisions	2°F/1°C	1°F/½°C	1°F/½°C	2°F	2°F	2°F/2°C	5°F	5°F/2°C	5°F/2°C
12" Divisions	1°F/½°C	1°F/½°C	1°F/½°C	1°F	2°F	2°F/1°C	5°F	5°F/2°C	2°F/1°C
CODE	030	032	033	034#	037	041#	042	043*	
RANGE F	180° to 360°	200° to 340°	200° to 400°	200° to 400°	250° to 450°	200° to 360°	60° to 120°	280° to 370°	
RANGE C	80° to 180°	95° to 170°		0 to 220 psi	120° to 230°	0 to 140 psi	15° to 50°	135° to 190°	
9" Divisions	2°F/1°C	1°F/1°C	2°F	2°F/10 psi	2°F/1°C	2°F/10 psi	½°F/½°C	2°F/1°C	
12" Divisions	1°F/1°C	1°F/½°C	2°F	2°F/10 psi	2°F/1°C	1°F/10 psi	½°F/¼°C	1°F/½°C	
CODE	106	107	108#	109	110	111	113	114	
RANGE F	170° to 270°	200° to 360°	200° to 450°	10° to 90°	200° to 260°	210° to 270°	30° to 110°	40° to 95°	
RANGE C	75° to 135°	95° to 185°	0 to 400 psi	-10° to 30°	95° to 125°				
9" Divisions	1°F/½°C	2°F/1°C	2°F/10 psi	1°F/½°C	½°F/¼°C	1°F	1°F	½°F	
12" Divisions	1°F/½°C	1°F/½°C	2°F/10 psi	½°F/¼°C	½°F/¼°C	1°F	½°F	½°F	



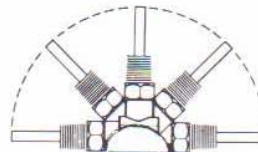
135° Oblique Right



135° Oblique Left



Multi-Angle



NOTE

EA and DA series available in stem length codes 03, 06 and 12 only. Range codes limited to: 001, 003, 005, 007, 008, 010, 012, 014, 022, 104, 105, and 120.



Handle Top

135° RECLINE	135° OBLIQUE RIGHT	135° OBLIQUE LEFT	MULTI-ANGLE	HANDLE TOP
ED	EJ	EK	EA	—
RD	RJ	RK	—	—
DD	DJ	DK	DA	—
—	—	—	—	AH

3. SCALE LENGTH

CODE	7	8
LENGTH	9"	12"

4. CRYSTAL

CODE	2	5
MATERIAL	Glass	Plastic

6. CONNECTIONS

99† Special-Specify	**E, F, & G connectors only Code "04" has extension neck for insulated applications. ‡ Subject to Factory approval. #Handle Top, "A" Series only.	E*	F	G	J†	N▲	X‡	* Stem Codes 01, 03 & 04 only. ▲ Long stem only (Adj.) † Required when used with well or hub. "E", "F", & "G" connections will not fit well. ‡ Subject to factory approval.
		½" NPT	¾" NPT	1" NPT	Jam Nut 1¼-18 NEF2	Plain ¾" dia. stem	Special-Specify	

016	017	022	023*	024*	025	026	027	028 /	029■
300° to 750° 100° to 400°	200° to 950° 90° to 510°	0° to 160° -15° to 70°	200° to 400° 95° to 205°	60° to 200° 15° to 95°	90° to 270° 30° to 130°	120° to 220° 50° to 105°	160° to 260° 70° to 125°	170° to 270°	170° to 270° 0° to 28 psi
5°F/5°C 5°F/2°C	5°F/5°C 5°F/5°C	2°F/1°C 1°F/½°C	2°F/1°C 2°F/1°C	2°F/1°C 1°F/½°C	2°F/1°C 1°F/1°C	1°F/½°C 1°F/½°C	1°F/½°C 1°F/½°C	1°F 1°F	1°F/1 psi 1°F/1 psi
	091	092■	093*	100*	101*	102	103	104*	105
	200° to 300°	200° to 300° 0 to 52 psi	230° to 340° 110° to 170°	200° to 400° 95° to 205°	250° to 400° 120° to 205°	200° to 450° 95° to 230°	200° to 300° 95° to 150°	30° to 180° 0° to 80°	30° to 240° 0° to 115°
	1°F 1°F	1°F/1 psi 1°F/1 psi	1°F/1°C 1°F/½°C	1°F/½°C 1°F/½°C	1°F/½°C 1°F/½°C	2°F/2°C 2°F/1°C	1°F/½°C 1°F/½°C	2°F/1°C 1°F/1°C	2°F/1°C 2°F/1°C
	115	120	127■	132	999	■ These ranges have steam pressure scales.			
	200° to 260°	50° to 400° 10° to 205°	0 to 2.0 kg/cm² 80° to 135°	210° to 260°	Special‡ Specify	‡ Subject to Factory approval. *NOTE: Degree divisions may vary depending upon special features specified on these ranges in certain scale lengths.			
	½°F ½°F	5°F/2°C 5°F/2°C	½°C/.2 kg/cm² ½°C/.2 kg/cm²	¼°F ¼°F					

SPECIAL FEATURES TABLE

The special feature codes, if needed, are added as prefix code to your selected catalog number — See Page 38.

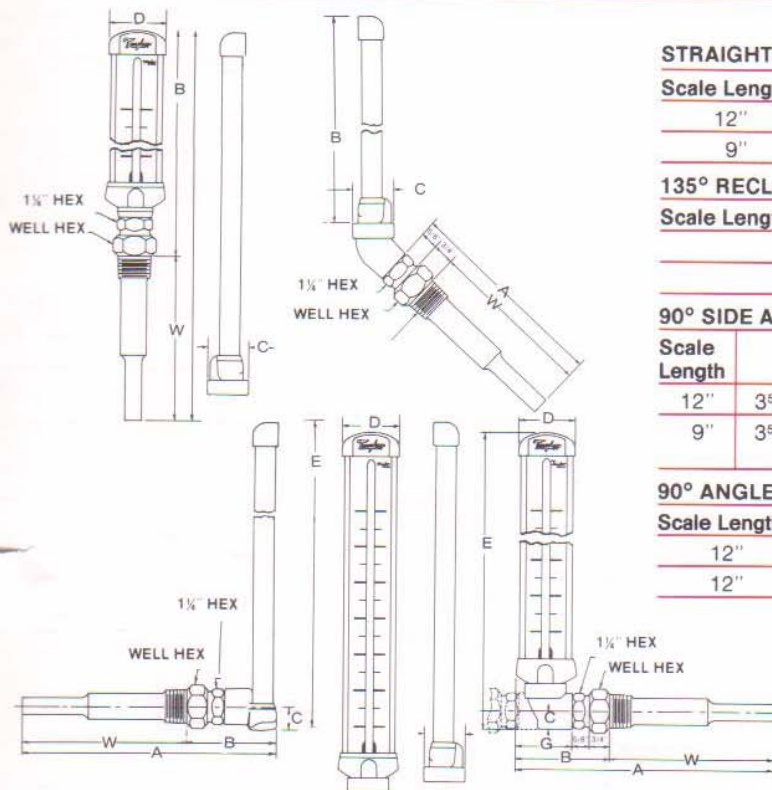
DESCRIPTION	ORDER CODE
Weatherproof construction (sealed crystal, vented case, condensation drains)	02
Offset case construction — specify angle in degrees	03
*Red Permacolor Fill (range limits: -110°F min./+320°F max.)	04
*Blue Permacolor Fill (range limits: -60°F min./+320°F max.)	05
*Black Permacolor Fill (range limits: -60°F min./+450°F max.)	06
*Red Permacolor Fill & 304 Stainless Steel Stem — add prices for codes 04 & 10	07
Single Point Etch Line — specify	08
Fully Etched Tube — specify div.	09
304 Stainless steel Stem — (complete stem and swivel nut)	10
316 Stainless Steel Stem — (complete assembly)	11
	3½"
	6 "
	8 "
	9 "
	12 "
	18 "
	24 "
Sealed Case (water resistant)	15
Certification (specify points, medium, & mounting)	16
-75° to -1°C/-103° to 31°F	
0° to 100°C/32° to 212°F	
101° to 315°C/213° to 600°F	
315° to 510°C/601° to 950°F	

DESCRIPTION	ORDER CODE
304 Stainless Steel Stem & certification — add prices for codes 10 & 16	17
Pipeline Special Construction: includes weatherproof constru, insulated case, 304 S.S. stem, ¼°F accuracy calibration	18
Low Range Special Construction: for instruments having ranges beginning below -40°F or C. Requires insulated case & special permacolor fill. Order on Refrigeration (R) Series only. Add price to code 04, 05, or 06 price.	19
Strand Guard (304 stainless steel only)	20
Special Scale Construction — price on application	27
Low Range Special Construction and 304 stainless steel stem — add prices for codes 19 & 10 .	29
304 Stainless Steel Tubular Guard (handle top T/R's only)	30
Certification with red-filled permark etch lines at each certification point. Add prices for codes 16 & 08 .	36
Condensation Drain Construction for high humidity, stream cleaned, or water hosed down areas	38
Same as code 38 plus extra scale adjustments and attachment screws for case cap. Useful for food processing and tire industries	39
*Blue Permacolor Fill & 304 stainless steel stem — add prices for codes 05 & 10	40
*Black Permacolor Fill & 304 stainless steel stem — add prices for codes 06 & 10	41
Special — use for custom needs not listed or combinations of above features where no specific code is listed. Refer to factory.	99

* Permacolor® is a non-toxic organic liquid fill.

Case Dimensions (with separable wells installed)

THERMOMETERS



STRAIGHT

Scale Length	B	C	D	W
12"	15 3/8"	1 5/16"	2 2/32"	AS
9"	12 3/32"	1 5/16"	2 5/32"	SPECIFIED

135° RECLINE OR INCLINE THERMOMETERS

Scale Length	B	C	W
12"	13 17/32"	2 5/32"	AS
9"	10 9/32"	2 5/32"	SPECIFIED

90° SIDE ANGLE THERMOMETERS

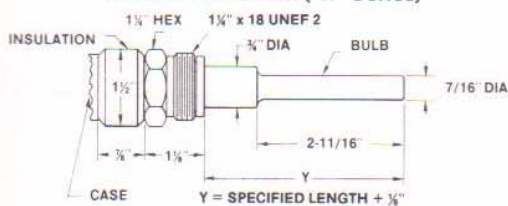
Scale Length	B	C	D	E	G	W
12"	3 5/64"	4 1/64"	2 5/32"	15 1/8"	2 23/64"	AS
9"	3 5/64"	4 1/64"	2 5/32"	12 3/32"	2 23/64"	SPECIFIED

90° ANGLE THERMOMETERS

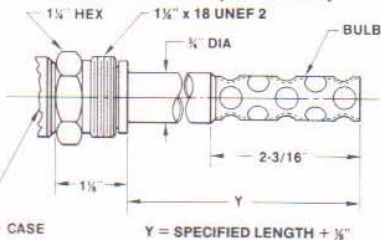
Scale Length	B	C	D	E	W
12"	3 1/8"	5 3/64"	2 1/4"	13 9/16"	AS
12"	3 1/8"	5 3/64"	2 1/4"	10 5/8"	SPECIFIED

STEMS

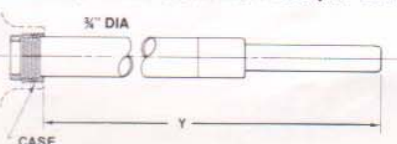
INSULATED STEM ("R" Series)



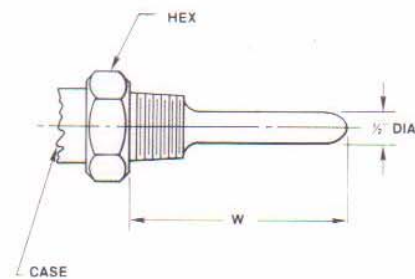
BARE BULB STEM ("D" Series)



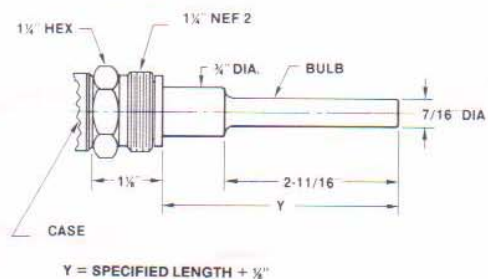
PLAIN STEM/PLAIN CONNECTION ("A" Series)



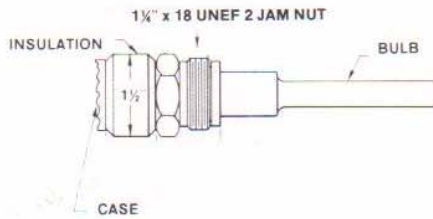
OPTIONAL STEM ("E" & "R" Series) with Fixed Thread Connection



STANDARD STEM ("E" Series)



Special Purpose Thermometers



PIPELINE CONSTRUCTION MODELS ("R" Series)

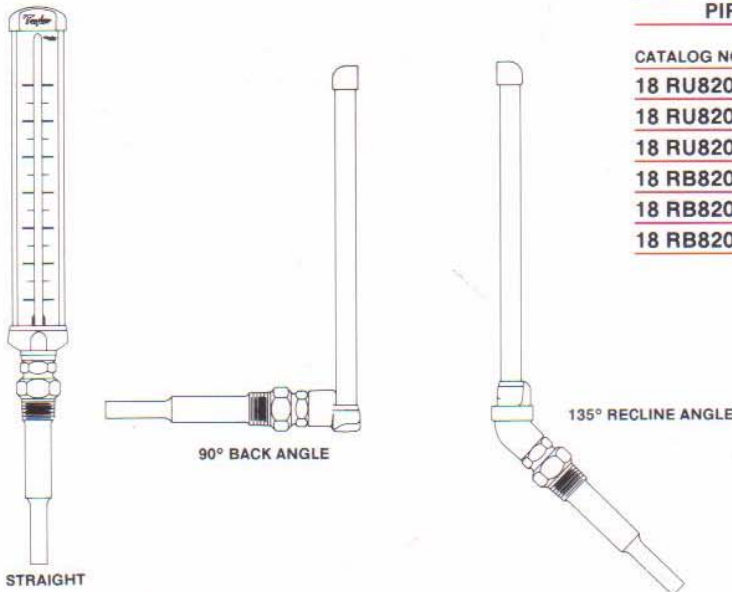
Pipeline construction models are engineered for lower temperatures measured in closed lines. A special insulated fitting between case and stem prevents heat transfer and fogging crystals.

Pipeline Construction Features:

- Straight or 90° back angle case style
- 12" scale length
- Sealed and vented case
- Special insulating ring
- Glass crystal
- 1 1/2" - 18 UNEF2 jam nut connector (304 S.S.)
- 304 Stainless steel stem
- Range of 30/110°F with 1/2° divisions
- Special calibration yields ±1/4°F accuracy

PIPELINE CONSTRUCTION MODEL LISTINGS

CATALOG NO.	CASE STYLE	STEM LENGTH
18 RU8203J113	Straight	3 1/2"
18 RU8206J113	Straight	6"
18 RU8208J113	Straight	8"
18 RB8203J113	90° Back Angle	3"
18 RB8206J113	90° Back Angle	6"
18 RB8208J113	90° Back Angle	8"



RETORT MODELS ("E" Series)

Retort design with a short (3 1/2") stem, jam nut connection for use with wells or union hubs in pressure-tight applications. Available in straight, 90° back angle or 135° recline angle case styles and a choice of four temperature ranges.

All Retort Models have:

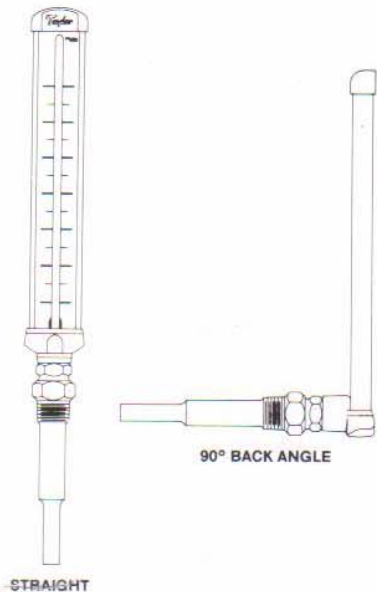
- 9" scale length
- °F and °F+psi ranges available
- 3 1/2" length, 3/4" diameter stainless steel stems
- Acrylic crystals
- 1 1/4" - 18 UNEF 2 brass jam nut connectors
- Special fast response construction with mercury in bulb chambers.

RETORT MODEL LISTINGS

CATALOG NO.	CASE STYLE	TEMPERATURE RANGE	DEGREE DIV.
EU7503J028	Straight	170/270°F	1°F
EB7503J028	90° Back Angle	170/270°F	1°F
ED7503J028	135° Recline Angle	170/270°F	1°F
EU7503J029	Straight	170/270°F & 0/28 psi	1°F/1 psi
EB7503J029	90° Back Angle	170/270°F & 0/28 psi	1°F/1 psi
ED7503J029	135° Recline Angle	170/270°F & 0/28 psi	1°F/1 psi
EU7503J091	Straight	200/300°F	1°F
EB7503J091	90° Back Angle	200/300°F	1°F
ED7503J091	135° Recline Angle	200/300°F	1°F
EU7503J092	Straight	200/300°F & 0/52 psi	1°F/1 psi
EB7503J092	90° Back Angle	200/300°F & 0/52 psi	1°F/1 psi
ED7503J092	135° Recline Angle	200/300°F & 0/52 psi	1°F/1 psi

NOTE: Condensation proofed cases are available upon request. Add a prefix code 39 to the above listed catalog numbers.

Special Purpose Thermometers — Continued



TIRE PRESS MODELS ("E" Series)

Tire Press Thermometers are designed for use with thermowells in high temperature, high pressure applications. Case styles are either straight or 90° back angle.

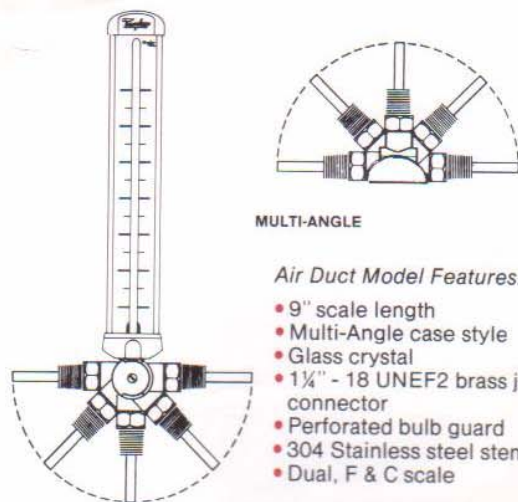
Tire Press models all feature:

- 9" scale length • Hi-visibility °F and °C or °F and psi scale ranges • 3½" length, ¼" diameter stainless steel stems.
- Glass crystals • 1¼" - 18UNEF 2 brass jam nut connectors • Special fast response construction with mercury in bulb chambers.

CATALOG NO.	CASE STYLE	TEMPERATURE	DEGREE DIV.
EU7203J043	Straight	280/370°F & 135/190°C	2°F/1°C
EB7203J043	90° Back Angle	280/370°F & 135/190°C	2°F/1°C
EU7203J034	Straight	200/400°F & 0/220 psi	2°F/10 psi
EB7203J034	90° Back Angle	200/400°F & 0/220 psi	2°F/10 psi
EU7203J023	Straight	200/400°F & 95/205°C	2°F/1°C
EB7203J023	90° Back Angle	200/400°F & 95/205°C	2°F/1°C

AIR DUCT MODELS ("D" Series)

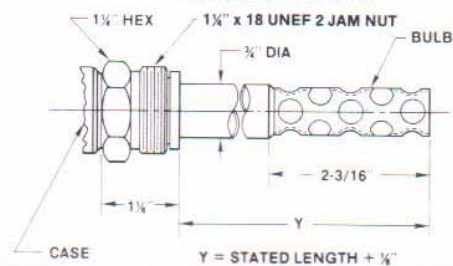
Air Duct design offers sensitive measurement of air and gas temperatures in closed lines. A special perforated bulb guard allows direct exposure to the glass tube bulb while still providing protection. The Multi-Angle case style adapts to any angle required.



Air Duct Model Features:

- 9" scale length
- Multi-Angle case style
- Glass crystal
- 1¼" - 18 UNEF2 brass jam nut connector
- Perforated bulb guard
- 304 Stainless steel stem
- Dual, F & C scale

BARE BULB STEM



AIR DUCT MODEL LISTINGS

CATALOG NO.	STEM LENGTH	TEMPERATURE RANGE	DEGREE DIVISIONS
DA7206J001	6"	-40/110°F & -40/40°C	2°F/1°C
DA7212J001	12"	-40/110°F & -40/40°C	2°F/1°C
DA7206J104	6"	30/180°F & 0/80°C	2°F/1°C
DA7212J104	12"	30/180°F & 0/80°C	2°F/1°C
DA7206J105	6"	30/240°F & 0/115°C	2°F/1°C
DA7212J105	12"	30/240°F & 0/115°C	2°F/1°C

HANDLE-TOP MODELS ("A" Series)



Handle-top design with long stem and no threaded connection for use in vats and other applications not requiring a closed, sealed or pressurized system.

All Handle-Top Models have:

- Straight case style
- 12" scale length
- ¼" diameter 304 stainless steel stems (416 SS bulb chamber)
- Acrylic crystals
- Polished metal handle-tops
- Dual, F&C scales
- Plain (no fitting) stems

HANDLE-TOP MODEL LISTINGS

CATALOG NO.	STEM LENGTH	TEMPERATURE RANGE	DEGREE DIV.
AH8512N032	12"	200/340°F & 95/170°C	1°F/½°C
AH8524N032	24"	200/340°F & 95/170°C	1°F/½°C
AH8536N032	36"	200/340°F & 95/170°C	1°F/½°C
AH8512N027	12"	160/260°F & 70/125°C	1°F/½°C
AH8524N027	24"	160/260°F & 70/125°C	1°F/½°C
AH8536N027	36"	160/260°F & 70/125°C	1°F/½°C